



US00D886154S

(12) **United States Design Patent** (10) **Patent No.:** **US D886,154 S**
Nakaura et al. (45) **Date of Patent:** **** Jun. 2, 2020**

(54) **OUTBOARD MOTOR FOR A VESSEL**

(71) Applicant: **HONDA MOTOR CO., LTD.**, Tokyo (JP)

(72) Inventors: **So Nakaura**, Wako (JP); **Masato Fujiwara**, Wako (JP)

(73) Assignee: **HONDA MOTOR CO., LTD.**, Tokyo (JP)

(**) Term: **15 Years**

(21) Appl. No.: **29/654,600**

(22) Filed: **Jun. 26, 2018**

(30) **Foreign Application Priority Data**

Dec. 28, 2017 (JP) 2017-029562

(51) **LOC (12) Cl.** **15-01**

(52) **U.S. Cl.**
USPC **D15/4**

(58) **Field of Classification Search**
USPC D15/4, 5
CPC .. B63H 20/32; B63H 2020/323; B63H 23/30;
B63H 23/08; B63H 23/22; B63H 5/14;
B63H 5/15; B63H 21/165; B63H 21/17;
B63H 21/38; B63H 5/125; B63B 35/68
See application file for complete search history.

(56) **References Cited**

U.S. PATENT DOCUMENTS

D403,684 S *	1/1999	Oishi	D15/4
D425,522 S *	5/2000	Okamoto	D15/4
D443,879 S *	6/2001	Fujieda	D15/4
D463,447 S *	9/2002	Osumi	D15/4
D531,639 S *	11/2006	Okamoto	D15/4
D537,838 S *	3/2007	Iekura	D15/4

D589,057 S *	3/2009	Azuma	D15/4
D589,981 S *	4/2009	Iekura	D15/4
D611,063 S *	3/2010	Okamoto	D15/4
D623,661 S *	9/2010	Yamagishi	D15/4
D663,745 S *	7/2012	Isono	D15/4
8,651,906 B1 *	2/2014	Morton	B63H 20/32 440/77
D727,969 S *	4/2015	Okamoto	D15/4
9,821,897 B1 *	11/2017	Veselsky	B63B 45/04
D818,501 S *	5/2018	Isono	D15/4
D822,066 S *	7/2018	Nakaura	D15/4
D835,675 S *	12/2018	Nakaura	D15/4
2004/0229528 A1 *	11/2004	Yazaki	B63H 20/00 440/88 A
2005/0272322 A1 *	12/2005	Mizuguchi	B63H 20/10 440/61 R
2019/0271255 A1 *	9/2019	Coller	F01P 3/202

* cited by examiner

Primary Examiner — Ania Aman

(74) *Attorney, Agent, or Firm* — Westerman, Hattori, Daniels & Adrian, LLP

(57) **CLAIM**

The ornamental design for an outboard motor for a vessel, as shown and described.

DESCRIPTION

FIG. 1 is a first perspective view of an outboard motor for a vessel, showing our new design;
FIG. 2 is a second perspective view thereof;
FIG. 3 is a front elevation view thereof;
FIG. 4 is a rear elevation view thereof;
FIG. 5 is a top plan view thereof;
FIG. 6 is a right side elevation view thereof; and,
FIG. 7 is a left side elevation view thereof.
The broken lines in the drawings illustrate portions of an outboard motor for a vessel that form no part of the claimed design.

1 Claim, 7 Drawing Sheets

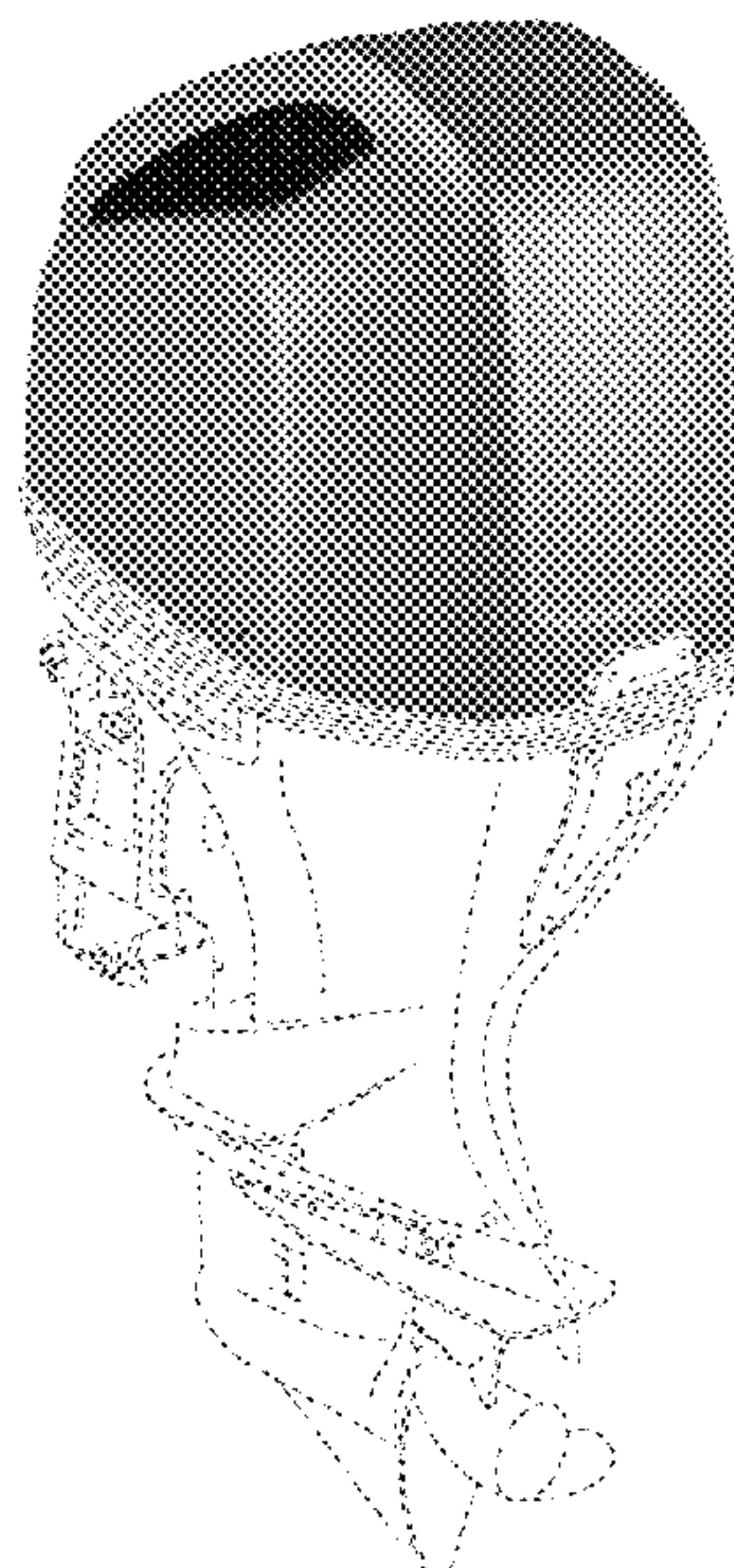


FIG. 1

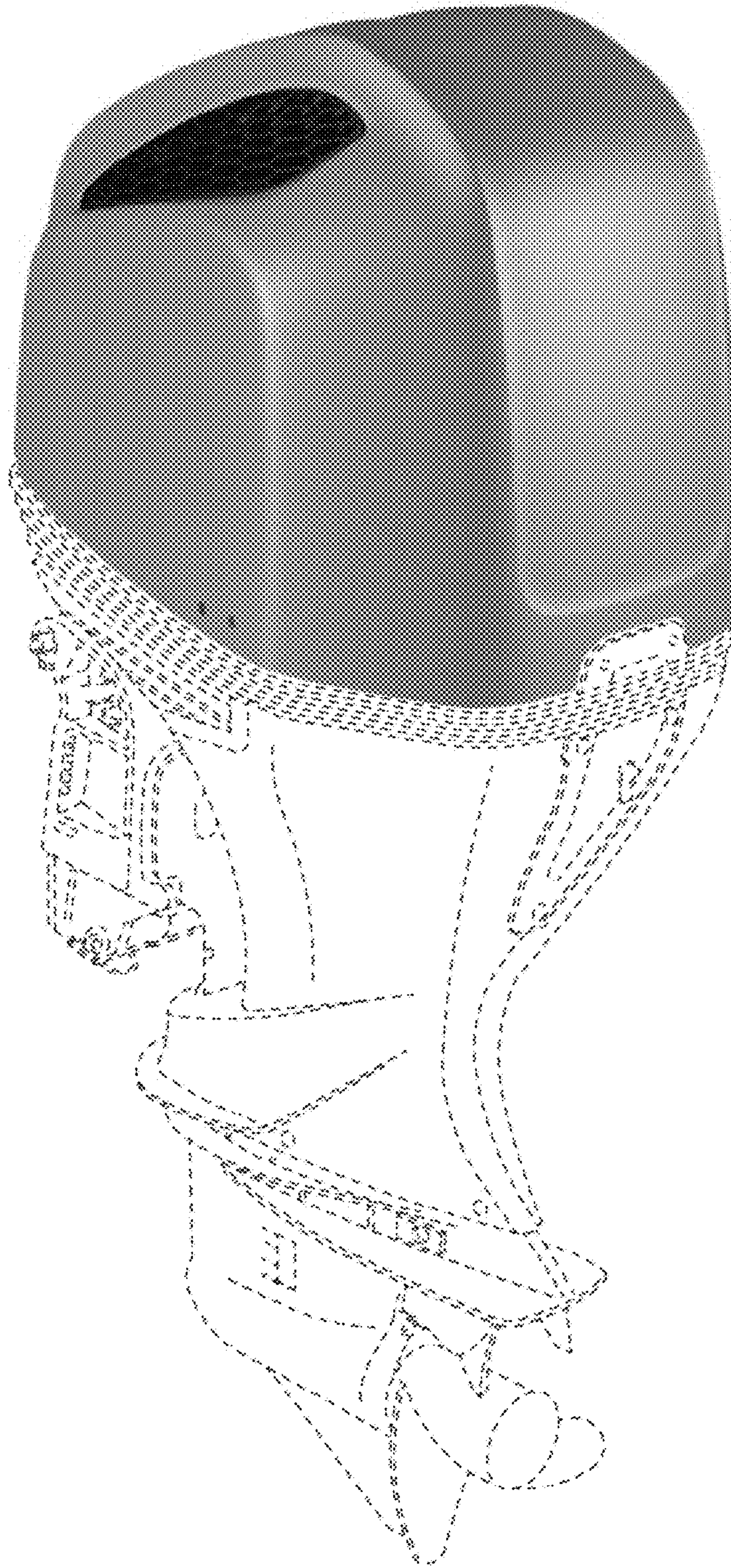


FIG. 2

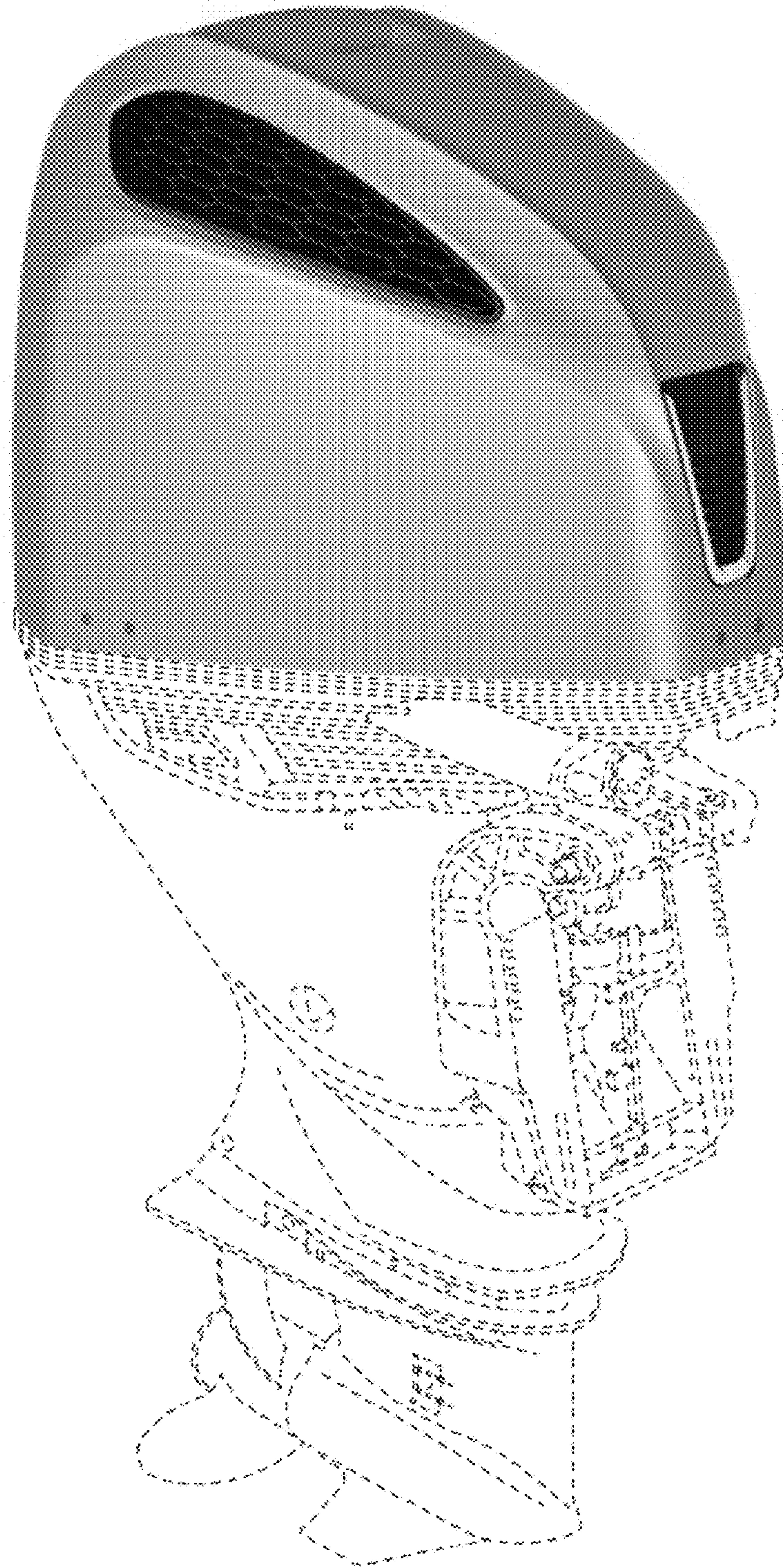


FIG. 3

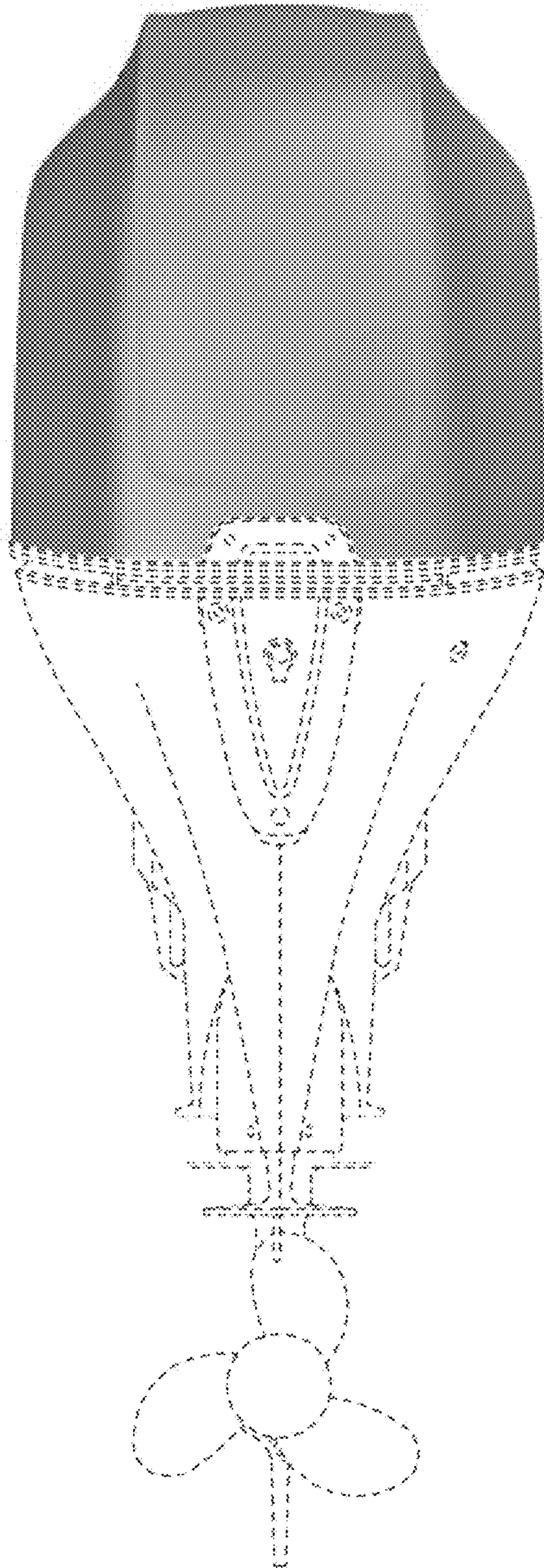


FIG. 4

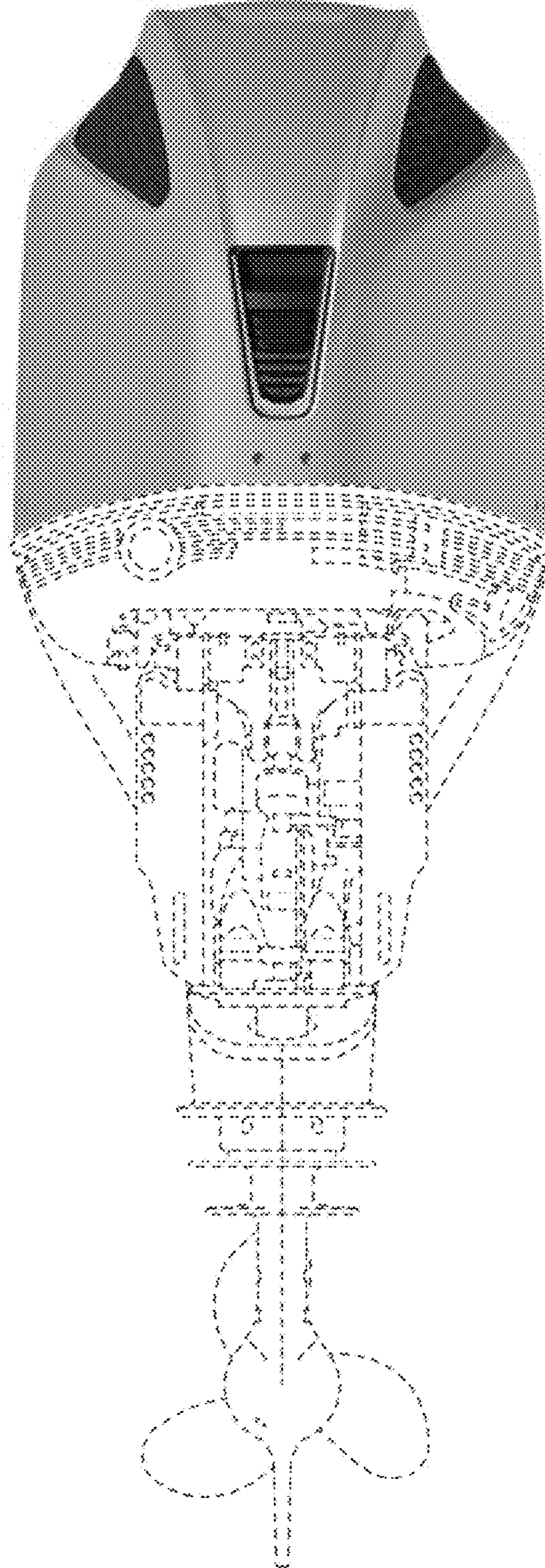


FIG. 5



FIG. 6

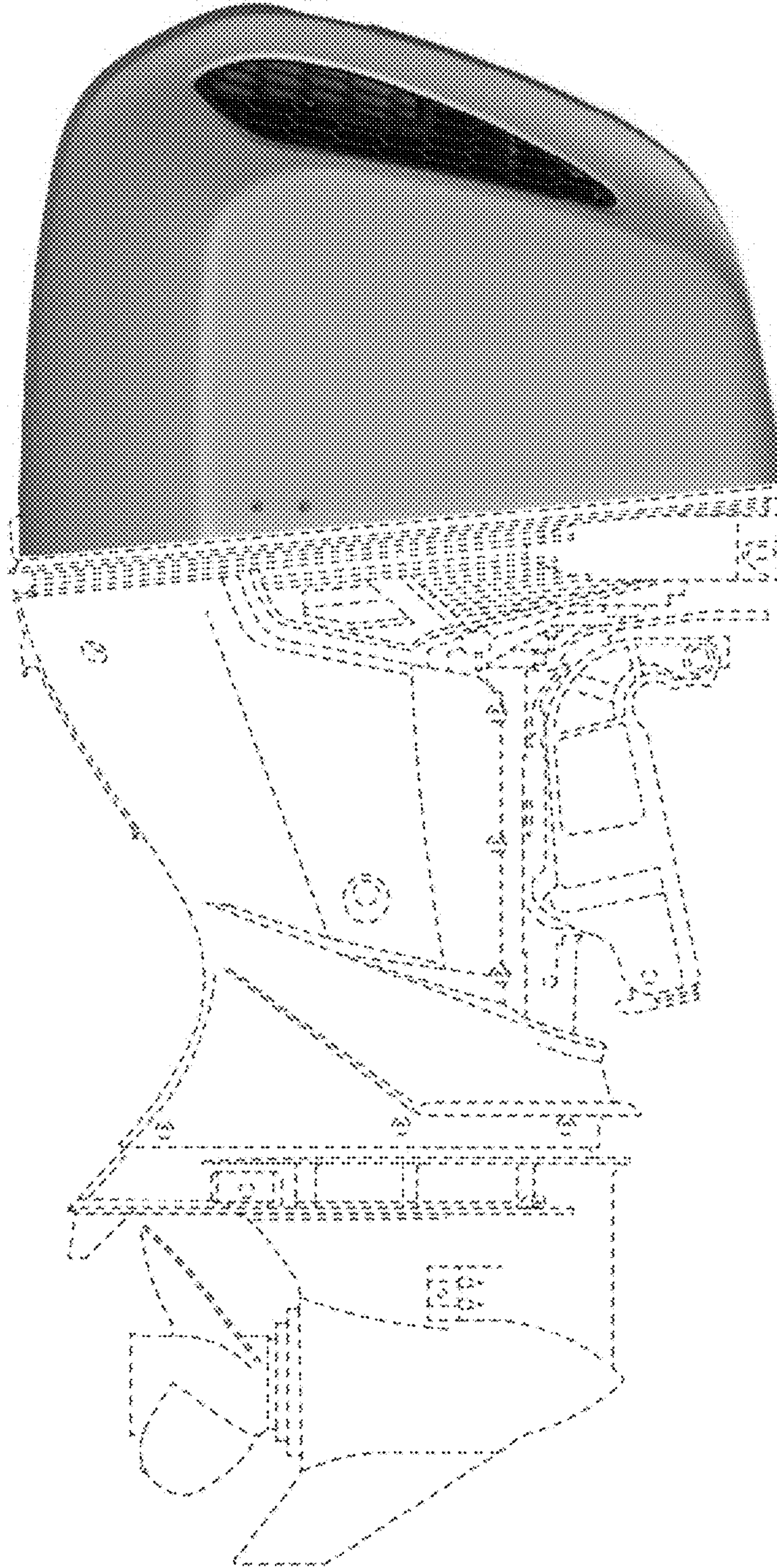


FIG. 7

