



US00D886112S

(12) **United States Design Patent**
Yeh et al.

(10) **Patent No.:** **US D886,112 S**
(45) **Date of Patent:** **** Jun. 2, 2020**

(54) **DOCKING STATION WITH KEYBOARD**

(71) Applicants: **Hsin Yeh**, Taipei (TW); **Jyh-Chyang Tzou**, Taipei (TW)

(72) Inventors: **Hsin Yeh**, Taipei (TW); **Jyh-Chyang Tzou**, Taipei (TW)

(73) Assignee: **COMPAL ELECTRONICS, INC.**, Taipei (TW)

(**) Term: **15 Years**

(21) Appl. No.: **29/623,054**

(22) Filed: **Oct. 23, 2017**

(51) **LOC (12) Cl.** **14-02**

(52) **U.S. Cl.**
USPC **D14/455**; D14/447

(58) **Field of Classification Search**
USPC D14/434, 432, 433, 440, 447, 454, 455,
D14/251–253, 451, 217, 299, 496, 331,
(Continued)

(56) **References Cited**

U.S. PATENT DOCUMENTS

D325,393 S * 4/1992 Schertz 281/19.1
D356,120 S * 3/1995 Allen D21/335
(Continued)

FOREIGN PATENT DOCUMENTS

TW D151318 1/2013
TW D178153 9/2016

OTHER PUBLICATIONS

Reviewing the Microsoft Universal Foldable Keyboard—A device filled with good intentions. digitalcitizen.life. (online) published

Apr. 5, 2016. [Retrieved on Apr. 3, 2019] <https://www.digitalcitizen.life/reviewing-microsoft-universal-foldable-keyboard-device-filled-good-intentions>.*

(Continued)

Primary Examiner — Marie D. Fast Horse
(74) *Attorney, Agent, or Firm* — JCIPRNET

(57) **CLAIM**

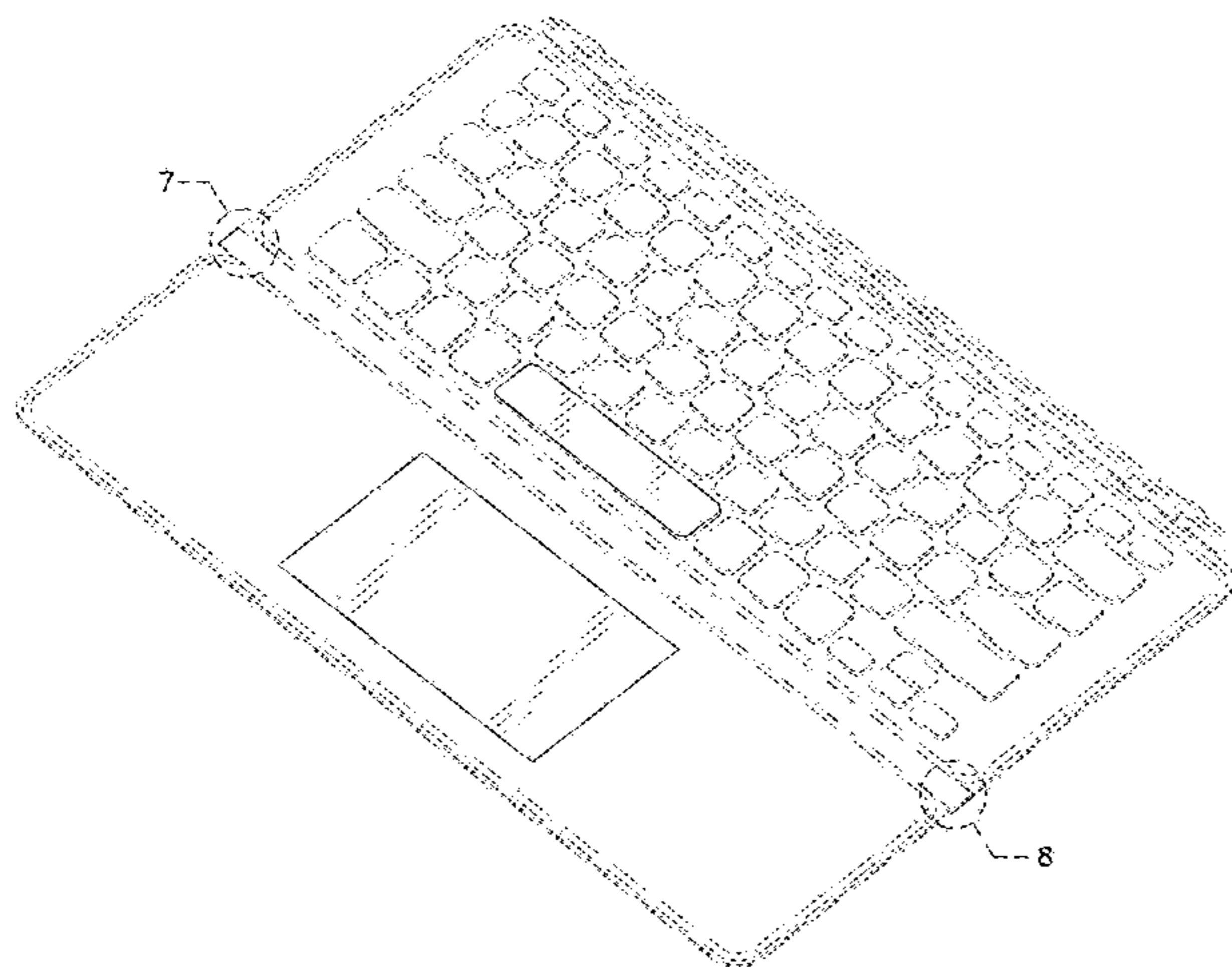
The ornamental design for a docking station with keyboard, as shown and described.

DESCRIPTION

FIG. 1 is a perspective view of a docking station with keyboard showing our new design, the front and rear views thereof being plain and unornamented; FIG. 2 is another perspective view thereof; FIG. 3 is a left side view thereof; FIG. 4 is a right side view thereof; FIG. 5 is a top view thereof; FIG. 6 is a bottom view thereof; FIG. 7 is an enlarged view of encircled portion of FIG. 1; FIG. 8 is an enlarged view of encircled portion of FIG. 1; FIG. 9 is an enlarged view of encircled portion of FIG. 2; FIG. 10 is an enlarged view of encircled portion of FIG. 2; FIG. 11 is an enlarged view of encircled portion of FIG. 3; FIG. 12 is an enlarged view of encircled portion of FIG. 4; FIG. 13 is an enlarged view of encircled portion of FIG. 5; FIG. 14 is an enlarged view of encircled portion of FIG. 5; FIG. 15 is an enlarged view of encircled portion of FIG. 6; FIG. 16 is an enlarged view of encircled portion of FIG. 6; FIG. 17 is a perspective view thereof in a folded state; and, FIG. 18 is another perspective view thereof.

The dashed broken line portions of the docking station with keyboard represent unclaimed portions of the claimed design and form no part thereof. The dot-dash broken lines define the bounds of the claimed design and form no part thereof. The broken lines consisting of large dashes in FIGS. 1-16 depict reference to the enlargements as shown in FIGS. 7-16 and form no part of the claim.

1 Claim, 17 Drawing Sheets



US D886,112 S

(58) **Field of Classification Search**
 USPC ... D14/345, 392, 393, 394, 356, 357, 203.4,
 D14/138 AB, 168, 315, 318, 320, 327,
 D14/389, 390; D21/330, 333, 335;
 D13/107, 108
 CPC G06F 1/1616; G06F 1/1618; G06F 1/162;
 G06F 1/1632; G06F 1/1662; G06F
 1/1664; G06F 1/1666; G06F 1/1669;
 G06F 1/1673
 See application file for complete search history.

(56) **References Cited**

U.S. PATENT DOCUMENTS

D364,191 S * 11/1995 Allen D21/335
 D389,129 S * 1/1998 Guintoli D14/454
 D437,612 S * 2/2001 Verdicchio D19/26
 D470,493 S * 2/2003 Tritschler D14/393
 D475,709 S * 6/2003 Tritschler D14/396
 D491,176 S * 6/2004 Shimano D14/318
 D519,559 S * 4/2006 Mehta D19/26
 D582,405 S * 12/2008 Andre D3/299
 7,492,891 B2 * 2/2009 Eldon G06F 1/1616
 379/433.12
 D603,398 S * 11/2009 Watson D14/345
 D604,730 S * 11/2009 Shih D14/345
 D621,396 S * 8/2010 Lee D14/252
 D625,284 S * 10/2010 Cha D14/138 AB
 D631,878 S * 2/2011 Jensen D14/315
 D648,334 S * 11/2011 Andre D14/315
 D658,188 S * 4/2012 Diebel D14/440
 D663,262 S * 7/2012 Cheung D13/102
 D665,799 S * 8/2012 Massaro D14/315
 D673,158 S * 12/2012 Yang D14/440
 D678,885 S * 3/2013 Gengler D14/447
 D681,000 S * 4/2013 Koh D14/203.4
 D681,054 S * 4/2013 Koh D14/496
 D682,839 S * 5/2013 Sampson D14/447
 D687,438 S * 8/2013 Lu D14/440
 D689,497 S * 9/2013 Park D14/434
 D691,143 S * 10/2013 Diebel D14/440
 D691,145 S * 10/2013 Nam-Su D14/440
 D691,611 S * 10/2013 Kirzinger D14/440
 D692,434 S * 10/2013 Kim D14/440
 D692,886 S * 11/2013 Bates D14/392
 D693,821 S * 11/2013 Bates D14/440
 D693,822 S * 11/2013 Bates D14/440
 D696,256 S * 12/2013 Piedra D14/440
 D696,669 S * 12/2013 Akana D14/440
 D697,069 S * 1/2014 Tak D14/447
 D700,184 S * 2/2014 Boldetti D14/440
 D700,611 S * 3/2014 Boldetti D14/440
 D701,200 S * 3/2014 Chen D14/318
 D703,209 S * 4/2014 Marcus D14/440
 D708,174 S * 7/2014 Andre D14/315
 8,766,921 B2 * 7/2014 Ballagas G06F 1/1626
 345/168
 D713,847 S * 9/2014 Su D14/440
 8,896,202 B2 * 11/2014 Oh H01L 51/5237
 313/511
 D719,956 S * 12/2014 Akana D14/440
 D720,355 S * 12/2014 Akana D14/440
 D720,756 S * 1/2015 Stavrakakis D14/440
 D723,541 S * 3/2015 Sohn D14/315
 D725,097 S * 3/2015 Ashcroft D14/315
 D725,118 S * 3/2015 Hong D14/440
 D726,731 S * 4/2015 Kim D14/440
 D729,253 S * 5/2015 Nyholm D14/440
 D732,524 S * 6/2015 Mehandjiysky D14/315
 D733,150 S * 6/2015 Sirichai D14/440
 D733,152 S * 6/2015 Sirichai D14/440
 D734,340 S * 7/2015 Kim D14/440
 D736,199 S * 8/2015 Hirano D14/315
 D740,296 S * 10/2015 Itano D14/318
 D744,489 S * 12/2015 Sirichai D14/440
 D744,491 S * 12/2015 Lee D14/440

D744,492 S * 12/2015 Lin G06F 1/1632
 D14/440
 D745,006 S * 12/2015 Hirakata D14/341
 D748,089 S * 1/2016 Shi D14/315
 D748,637 S * 2/2016 Hsu D14/440
 D750,085 S * 2/2016 Hsu D14/440
 D750,632 S * 3/2016 Diebel D14/440
 D753,125 S * 4/2016 Hsu D14/440
 D753,648 S * 4/2016 Shyu D14/315
 D756,364 S * 5/2016 Hong D14/440
 D761,267 S * 7/2016 Chen D14/345
 D761,798 S * 7/2016 Lee D14/440
 D762,654 S * 8/2016 O'Sullivan D14/455
 D767,578 S * 9/2016 Wong D14/455
 D770,448 S * 11/2016 Endo D14/341
 D772,188 S * 11/2016 Kim D14/138 AB
 D772,835 S * 11/2016 Kim D14/138 AB
 D775,602 S * 1/2017 Lee D14/138 AB
 D775,630 S * 1/2017 Starrett D14/455
 D777,131 S * 1/2017 Lee D14/138 AB
 D778,918 S * 2/2017 Sauvage D14/455
 D779,485 S * 2/2017 Akana D14/345
 D780,173 S * 2/2017 Matsuoka D14/315
 D784,348 S * 4/2017 Zhang D14/440
 D786,248 S * 5/2017 Roberts D14/392
 D787,505 S * 5/2017 Kim D14/341
 D788,726 S * 6/2017 Lee D14/138 AB
 D789,941 S * 6/2017 Sauvage D14/455
 D790,537 S * 6/2017 Bae D14/138 AB
 D791,725 S * 7/2017 Lee D14/138 AB
 D791,753 S * 7/2017 Bae D14/248
 D791,780 S * 7/2017 Bailey D14/455
 D792,393 S * 7/2017 Akana D14/341
 D795,826 S * 8/2017 Yoon D14/138 AB
 D795,873 S * 8/2017 Jiang D14/393
 D797,111 S * 9/2017 Sauvage D14/455
 D797,112 S * 9/2017 Sauvage D14/455
 D800,112 S * 10/2017 Park D14/345
 D802,597 S * 11/2017 Park D14/455
 D806,067 S * 12/2017 Cheng D14/315
 D807,365 S * 1/2018 Liu D14/440
 D808,394 S * 1/2018 Lakraa D14/440
 D810,068 S * 2/2018 Shi D14/315
 RE46,801 E * 4/2018 Sohn D14/315
 D814,455 S * 4/2018 Kwon D14/341
 RE46,812 E * 5/2018 Sohn D14/315
 D819,038 S * 5/2018 Diebel D14/440
 9,983,688 B2 * 5/2018 Ko G06F 3/0202
 D820,838 S * 6/2018 Akana D14/345
 D820,839 S * 6/2018 Akana D14/345
 D828,321 S * 9/2018 Yeom D14/138 AB
 D828,360 S * 9/2018 Moore D14/440
 D828,842 S * 9/2018 Mecchella D14/440
 D829,681 S * 10/2018 Han D14/138 AB
 D829,708 S * 10/2018 Wu D14/315
 D832,268 S * 10/2018 Mecchella D14/440
 D832,851 S * 11/2018 Mecchella D14/440
 D832,853 S * 11/2018 Jinkinson D14/440
 D832,856 S * 11/2018 Jinkinson D14/440
 D834,514 S * 11/2018 Zhang D13/102
 D839,267 S * 1/2019 Park D14/345
 D840,996 S * 2/2019 Lambert D14/253
 D841,088 S * 2/2019 Weir D19/1
 2001/0030850 A1 * 10/2001 Ditzik G06F 1/1616
 361/679.3
 2004/0159762 A1 * 8/2004 Ghosh G06F 1/1632
 248/351
 2013/0048517 A1 * 2/2013 Mecchella A45C 11/00
 206/216
 2014/0139989 A1 * 5/2014 Mori G06F 1/1628
 361/679.09
 2014/0355190 A1 * 12/2014 Yeh G06F 1/1669
 361/679.17
 2015/0296068 A1 * 10/2015 Chin G06F 1/1628
 455/575.8

(56)

References Cited

U.S. PATENT DOCUMENTS

2016/0011628 A1* 1/2016 Sato G06F 1/1656
361/679.3
2016/0349794 A1* 12/2016 Yeh G06F 1/1632

OTHER PUBLICATIONS

247869_02_2018_if_design_award_hybrid_convertible_02.ifdesign.de. (online) 1 pg. Uploaded Jan. 2018. [Retrieved on Aug. 6, 2019] https://uploads.ifdesign.de/award_img_330/oex_large/247869_02_2018_if_design_award_hybrid_convertible_02.jpg.*

Introducing the Laptab Yanko Design. yankodesign.com. (online) 5 pgs. Posted Apr. 2018. [Retrieved on Aug. 6, 2019] <https://www.yankodesign.com/2018/04/11/introducing-the-laptab/>.*

2017 Logitech iPad Pro Slim Combo Keyboard and Case Unboxing. (online) 1 pg. Published Jun. 13, 2017. [Retrieved on Aug. 6, 2019] <https://www.youtube.com/watch?v=6KGNb5li-5Q>.*

* cited by examiner

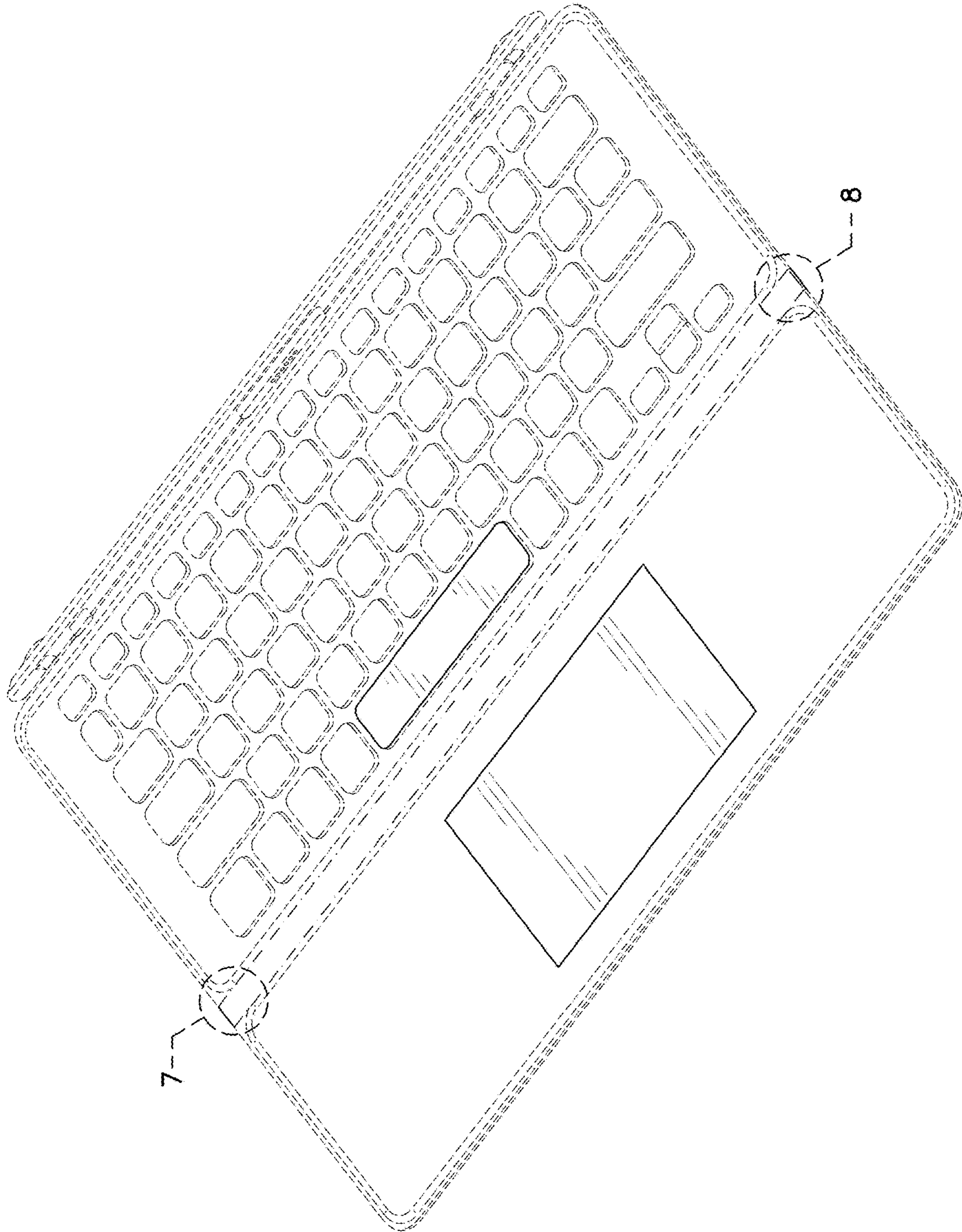


FIG. 1

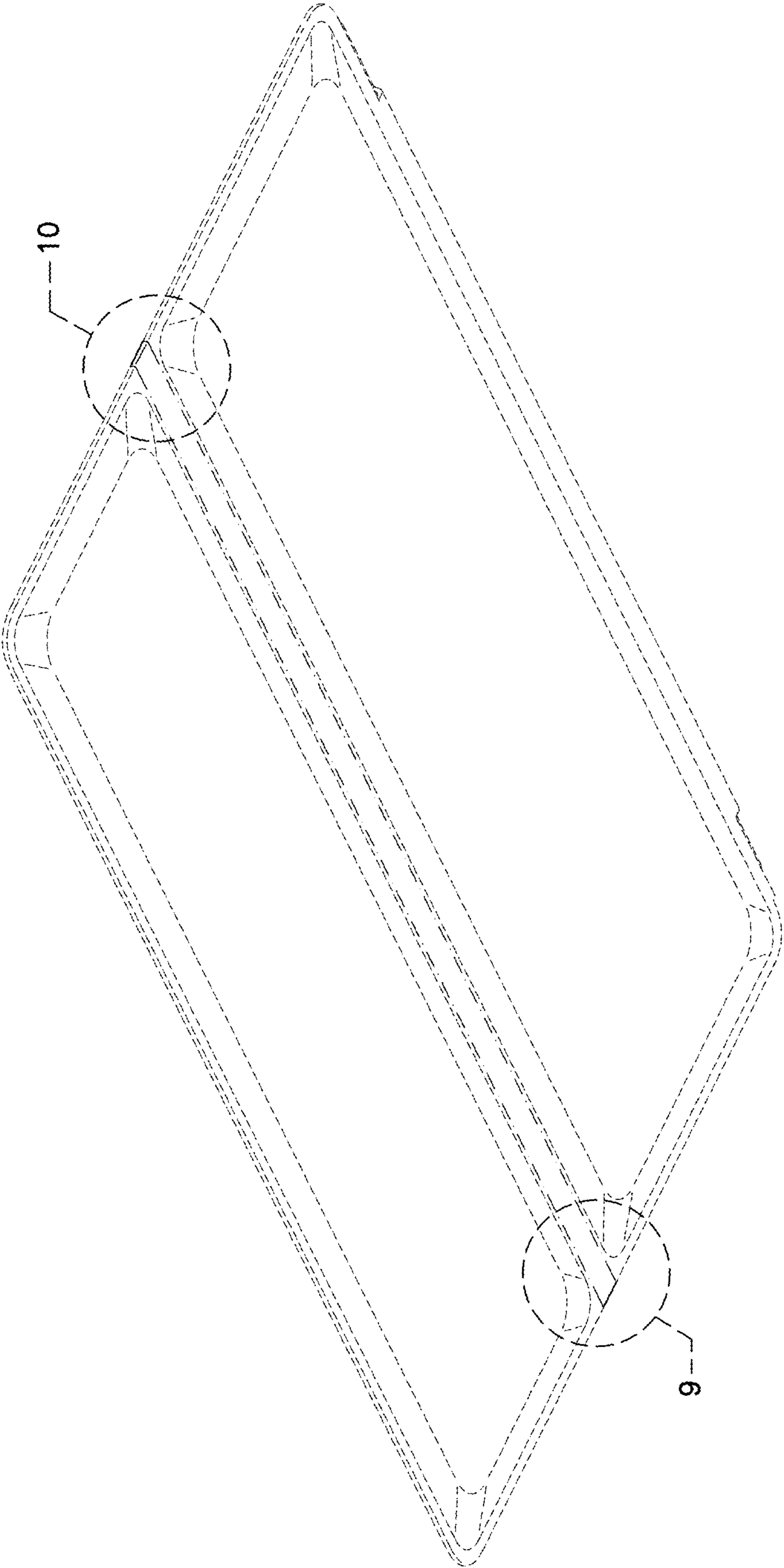


FIG. 2

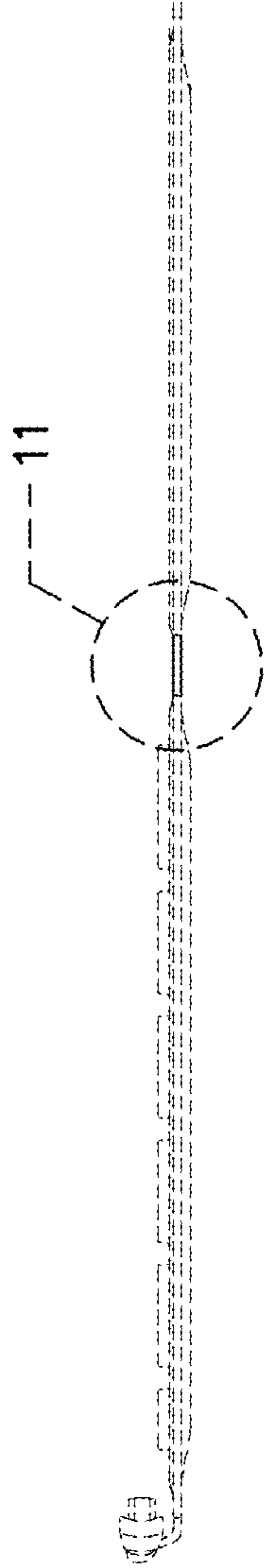


FIG. 3

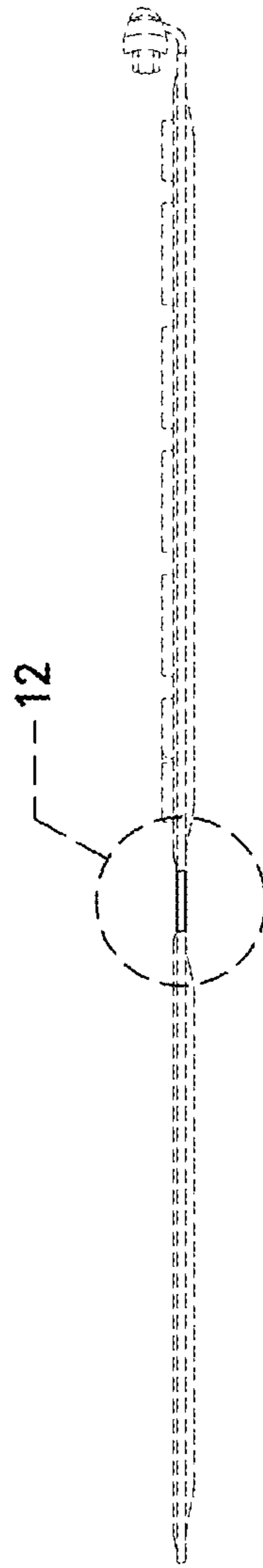


FIG. 4

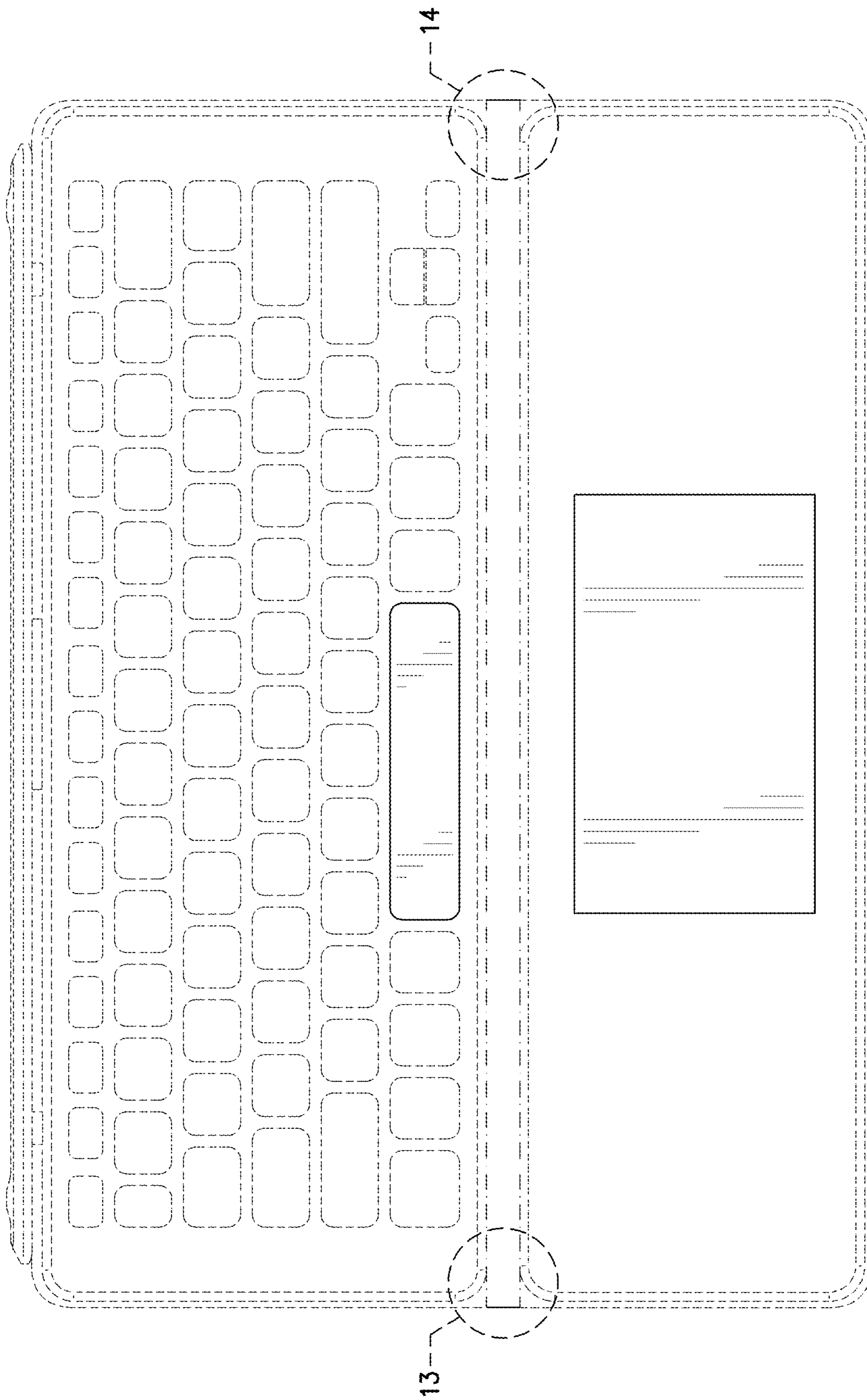


FIG. 5

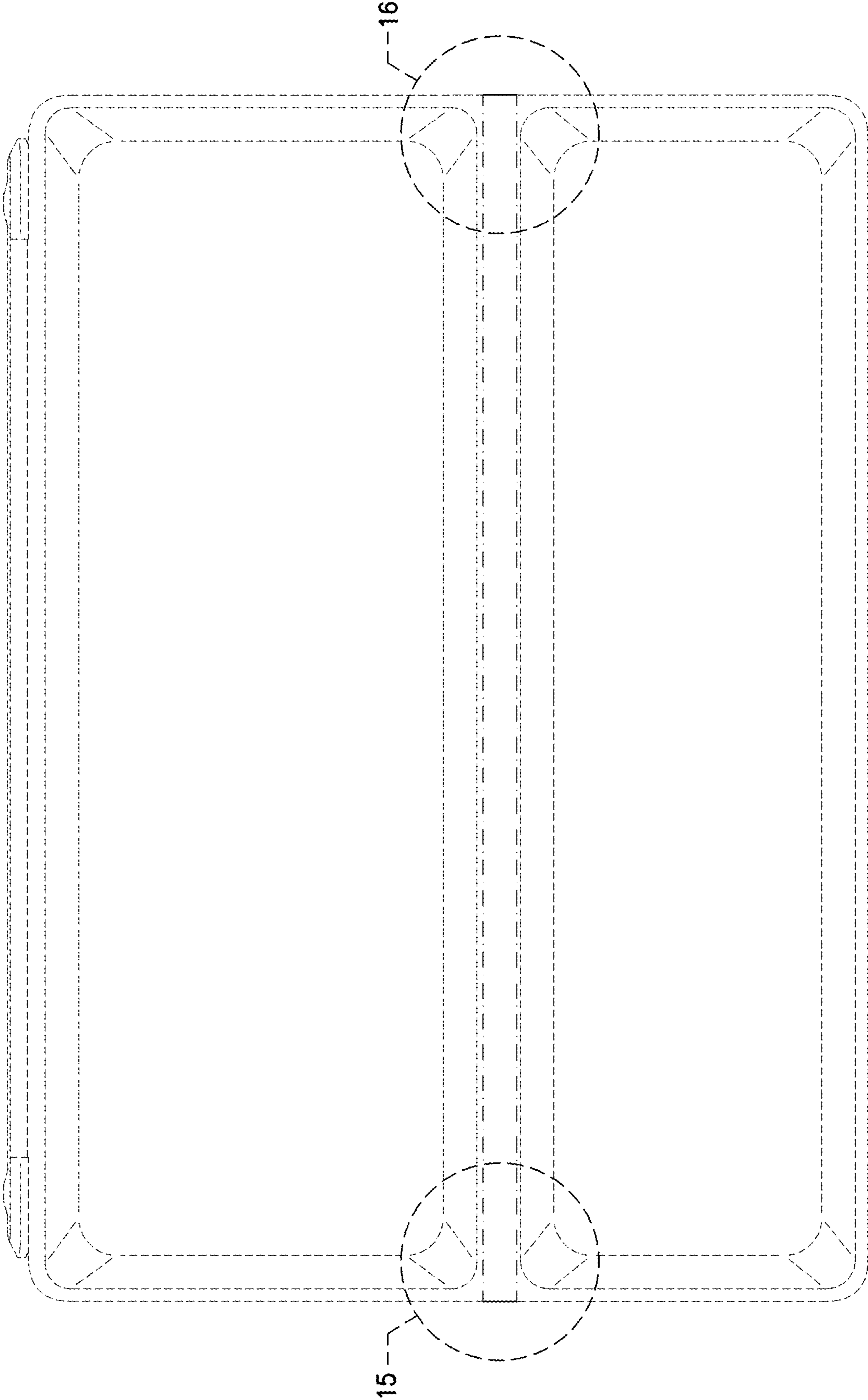


FIG. 6

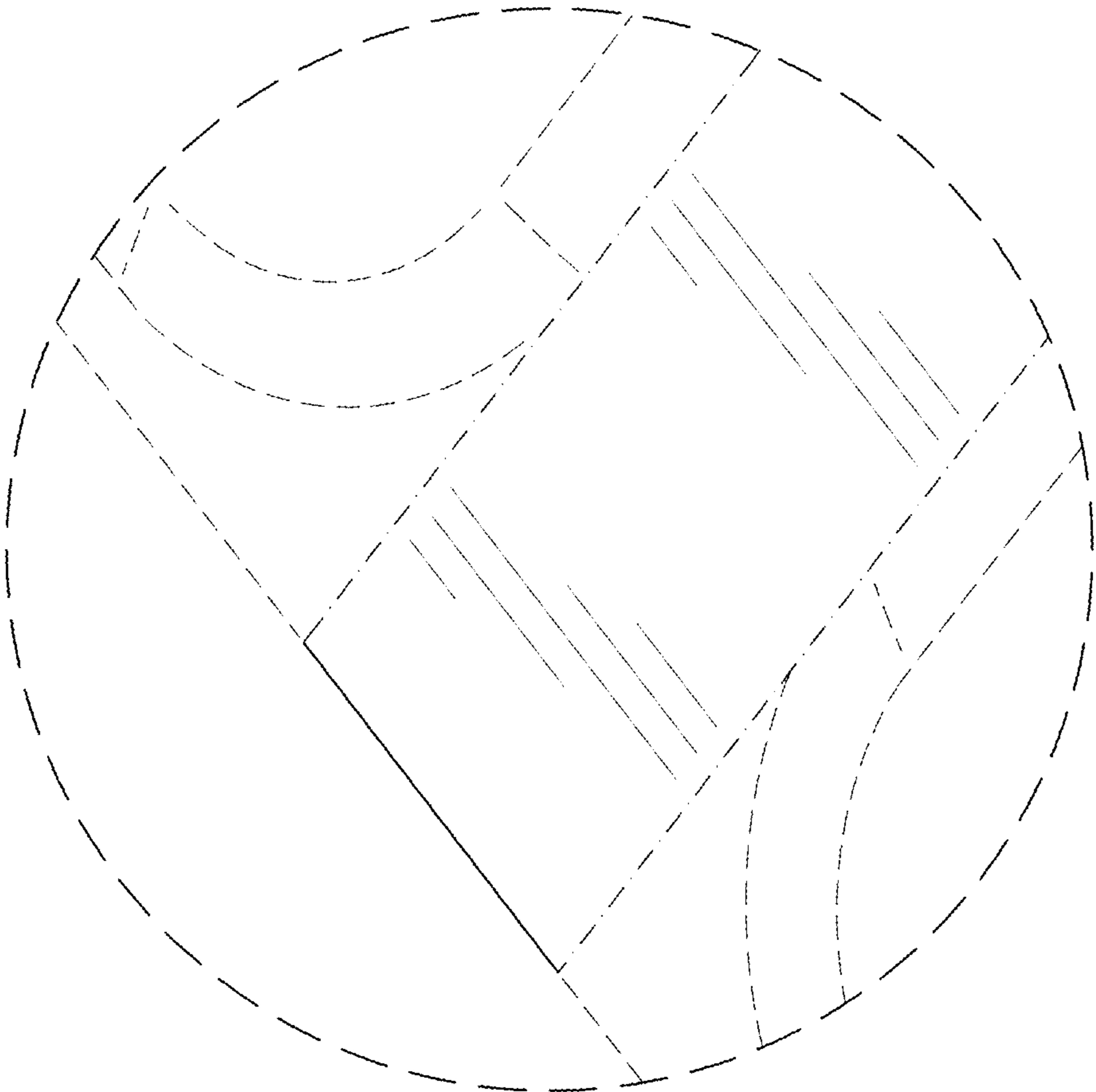


FIG. 7

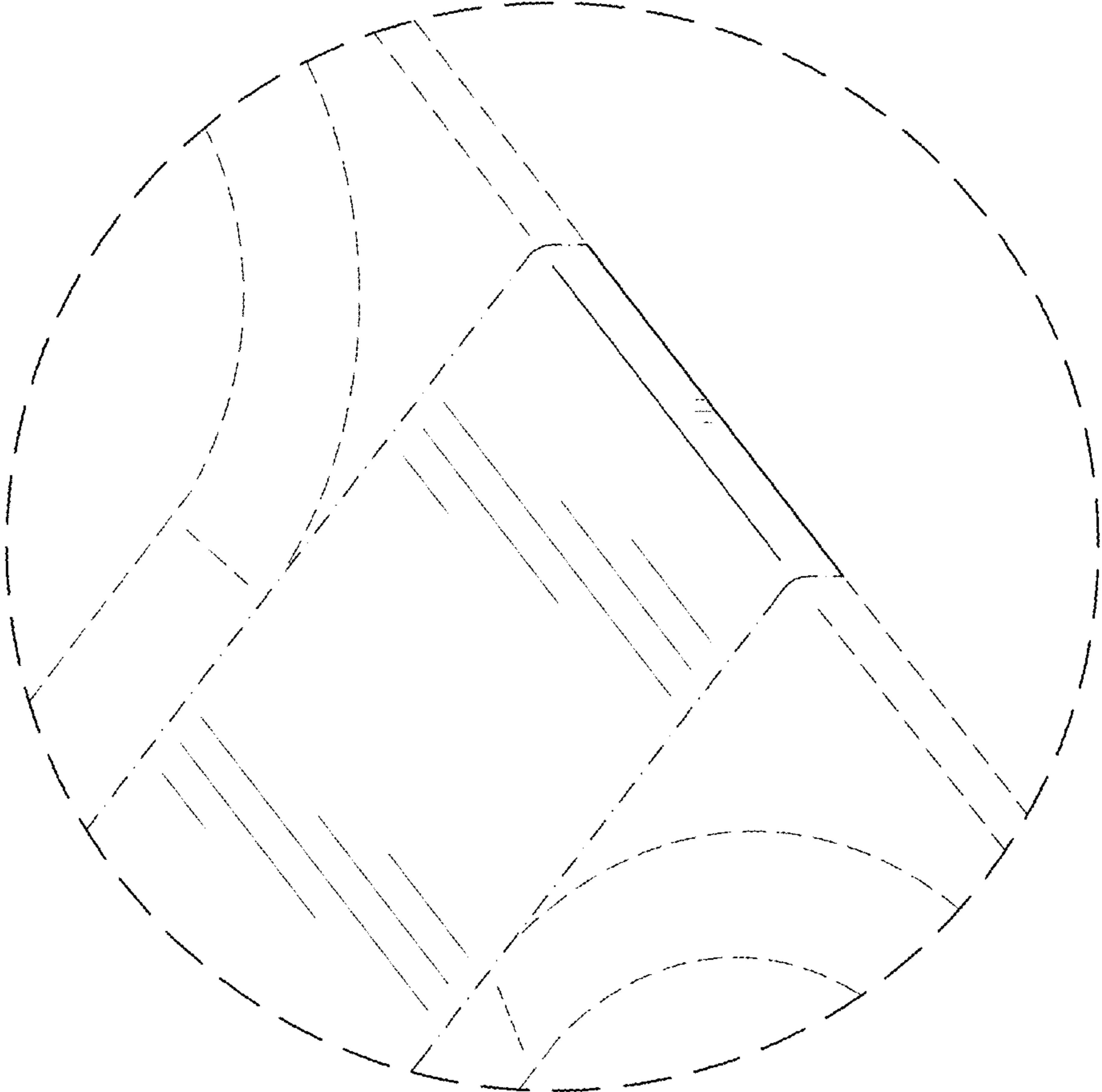


FIG. 8

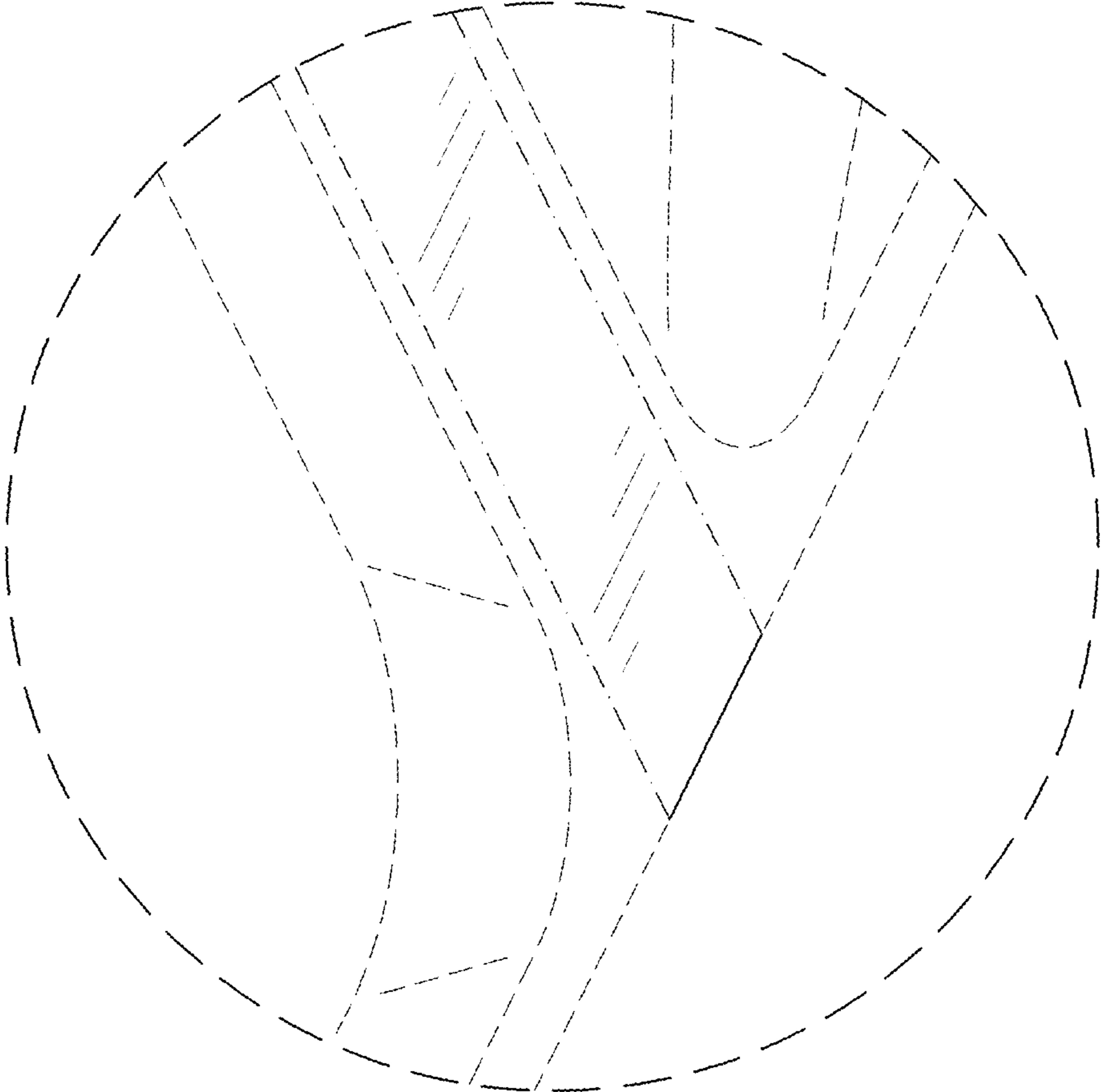


FIG. 9

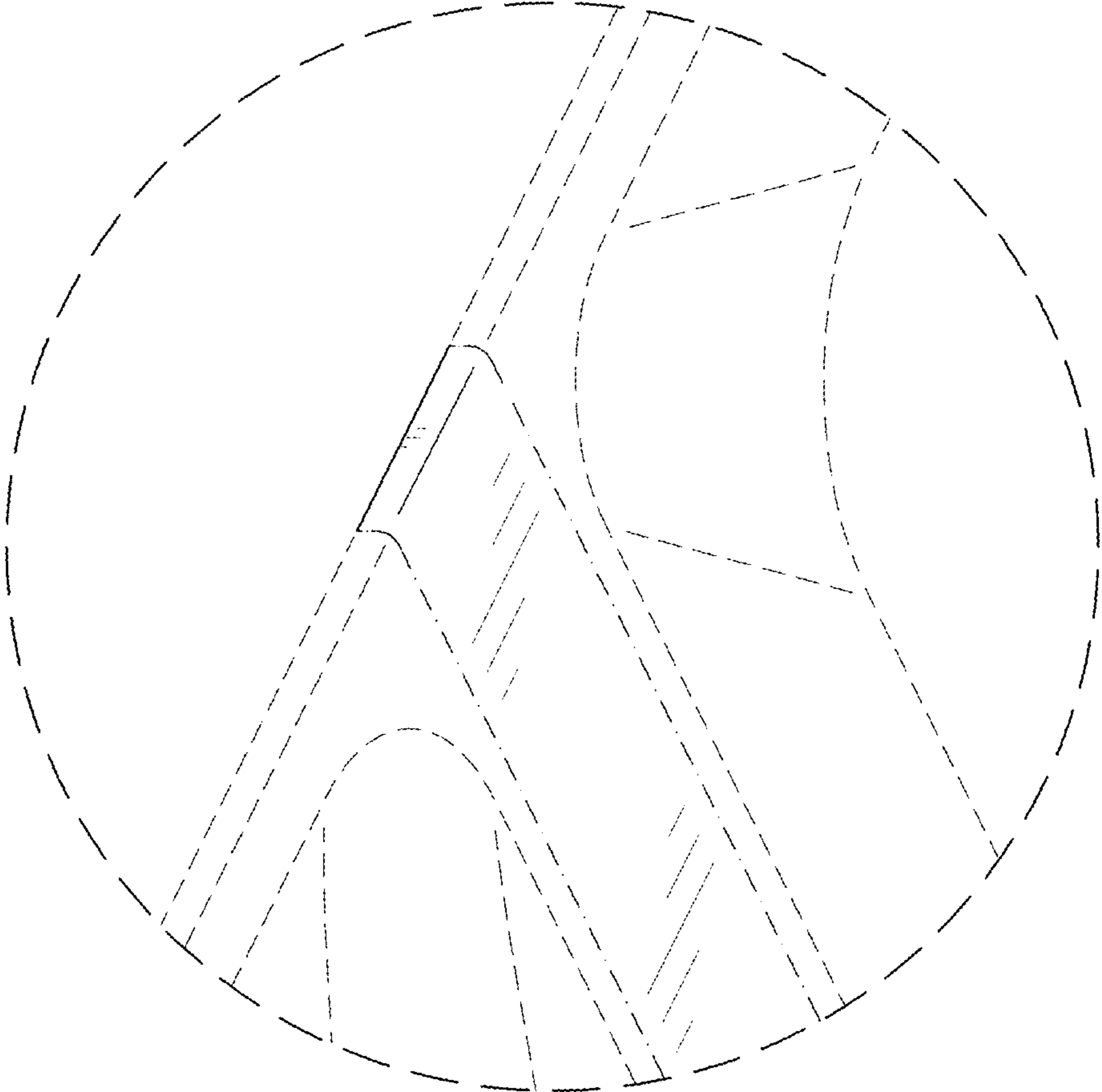


FIG. 10

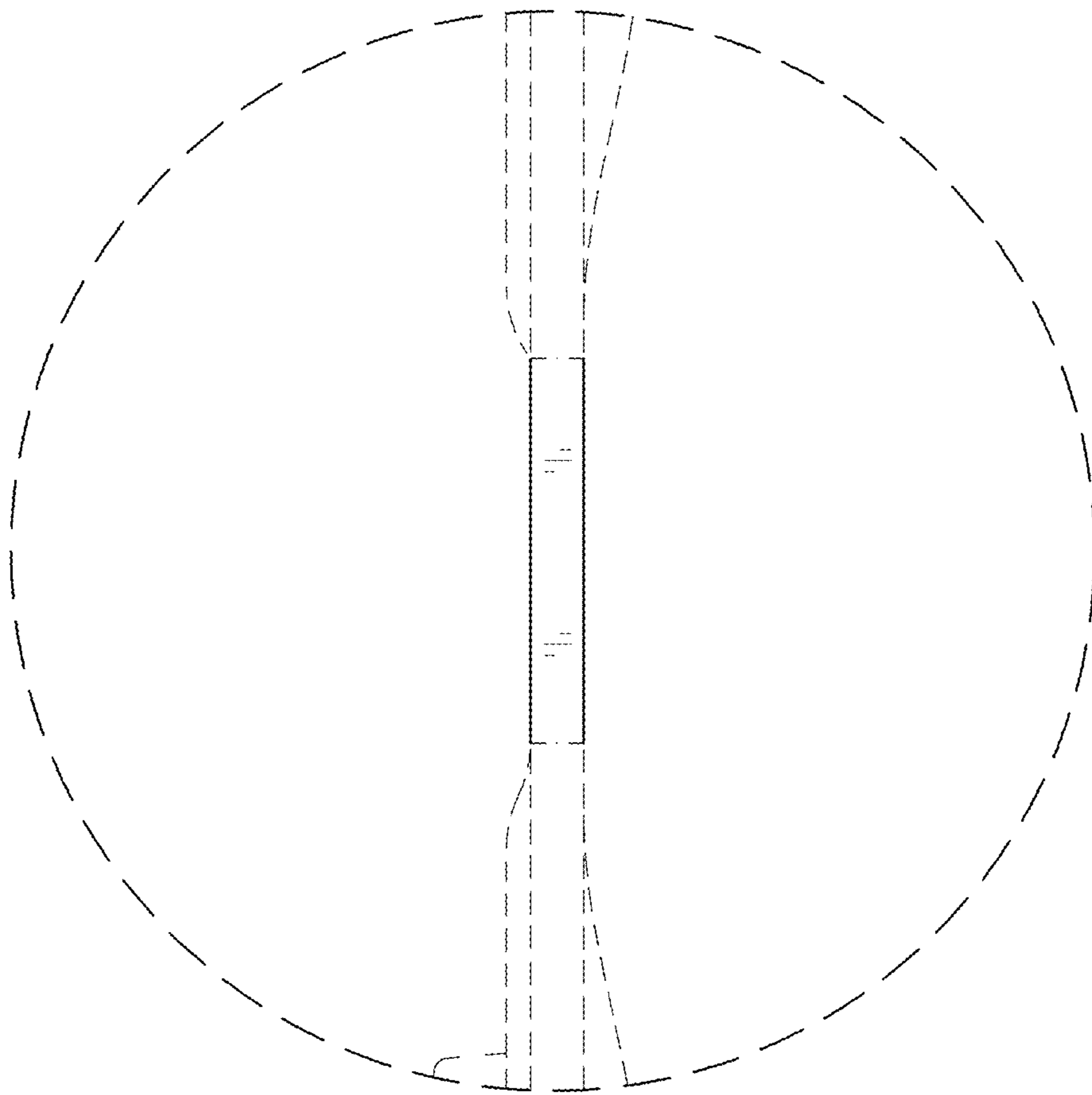


FIG. 11

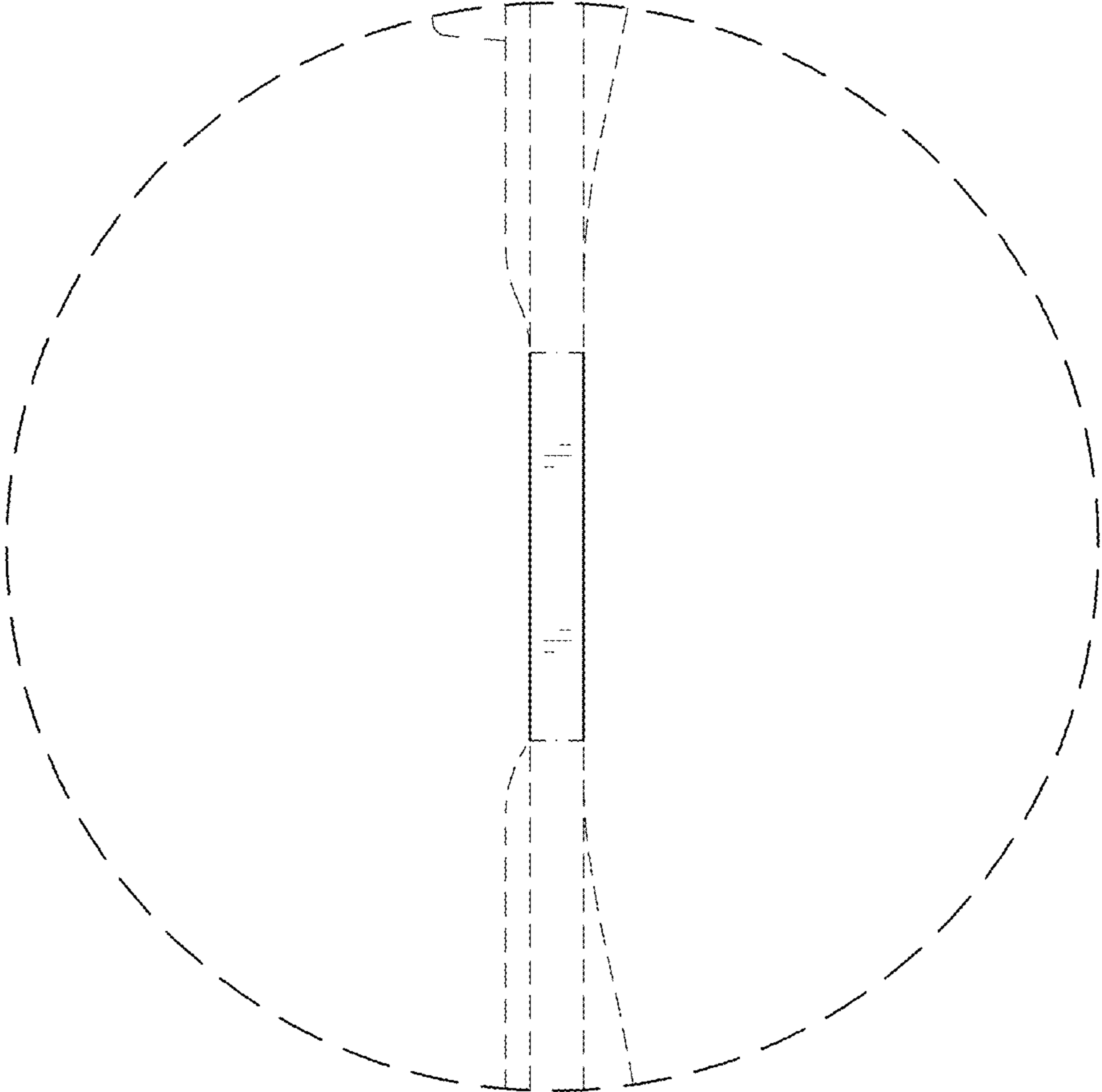


FIG. 12

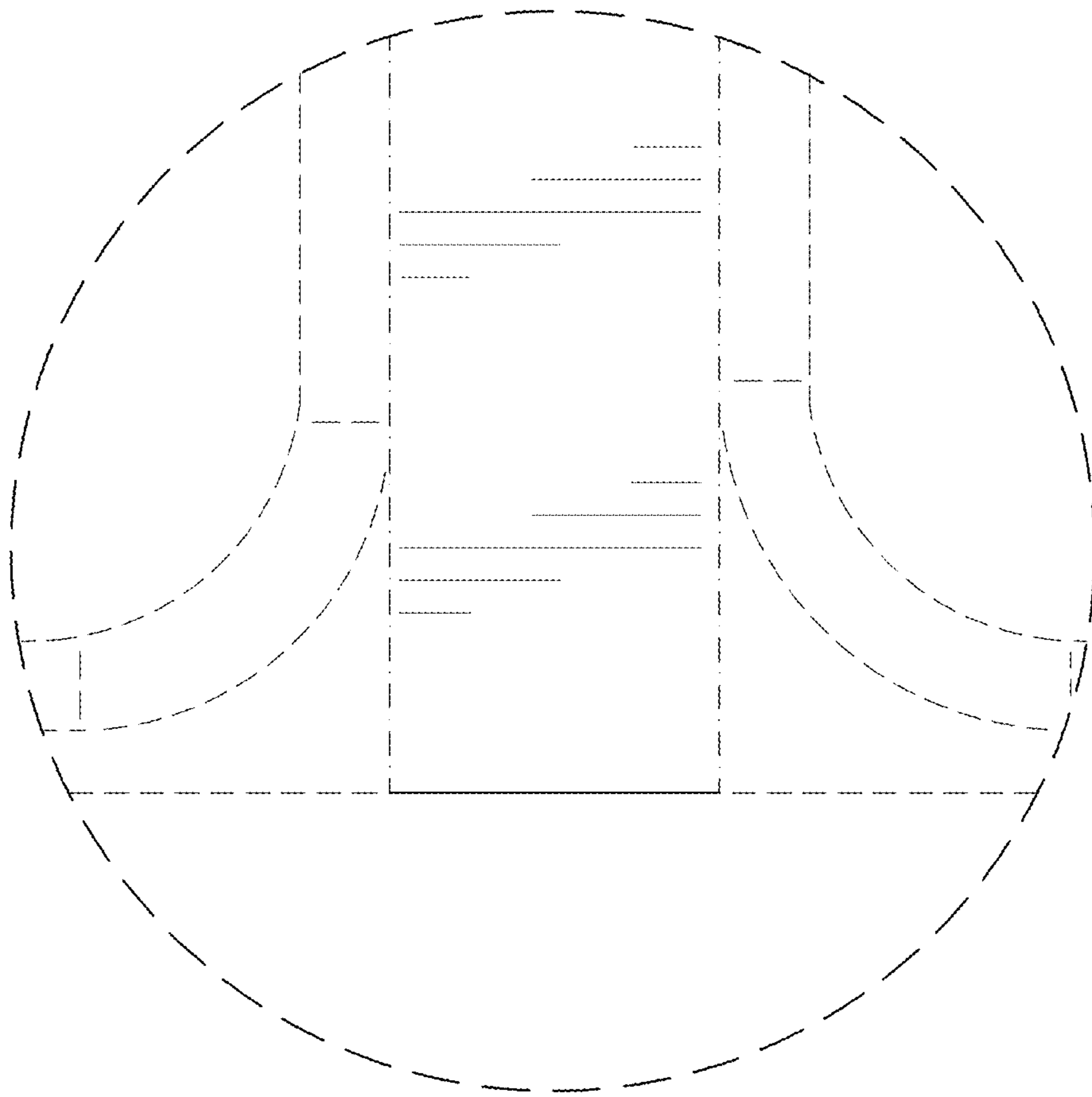


FIG. 13

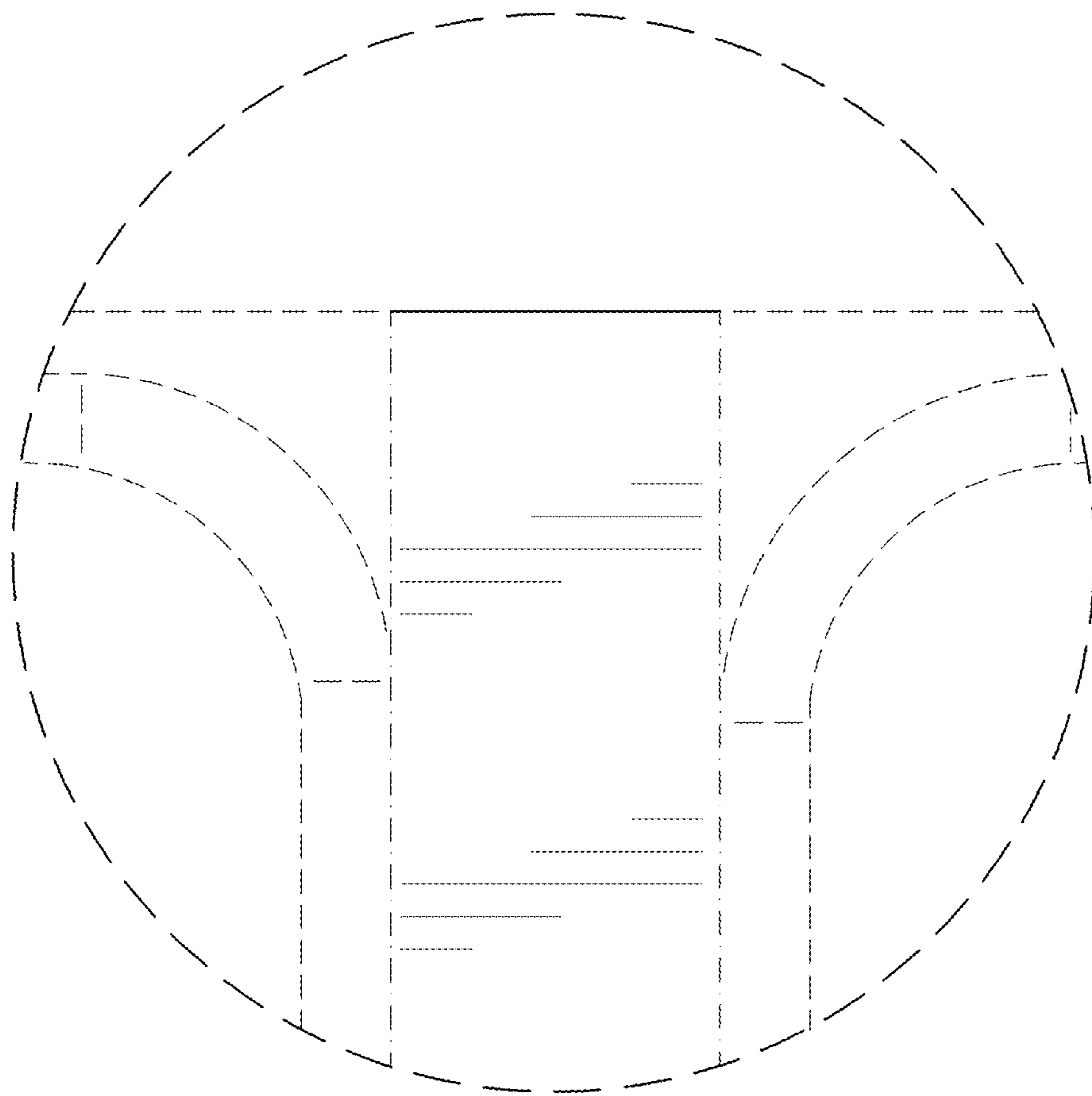


FIG. 14

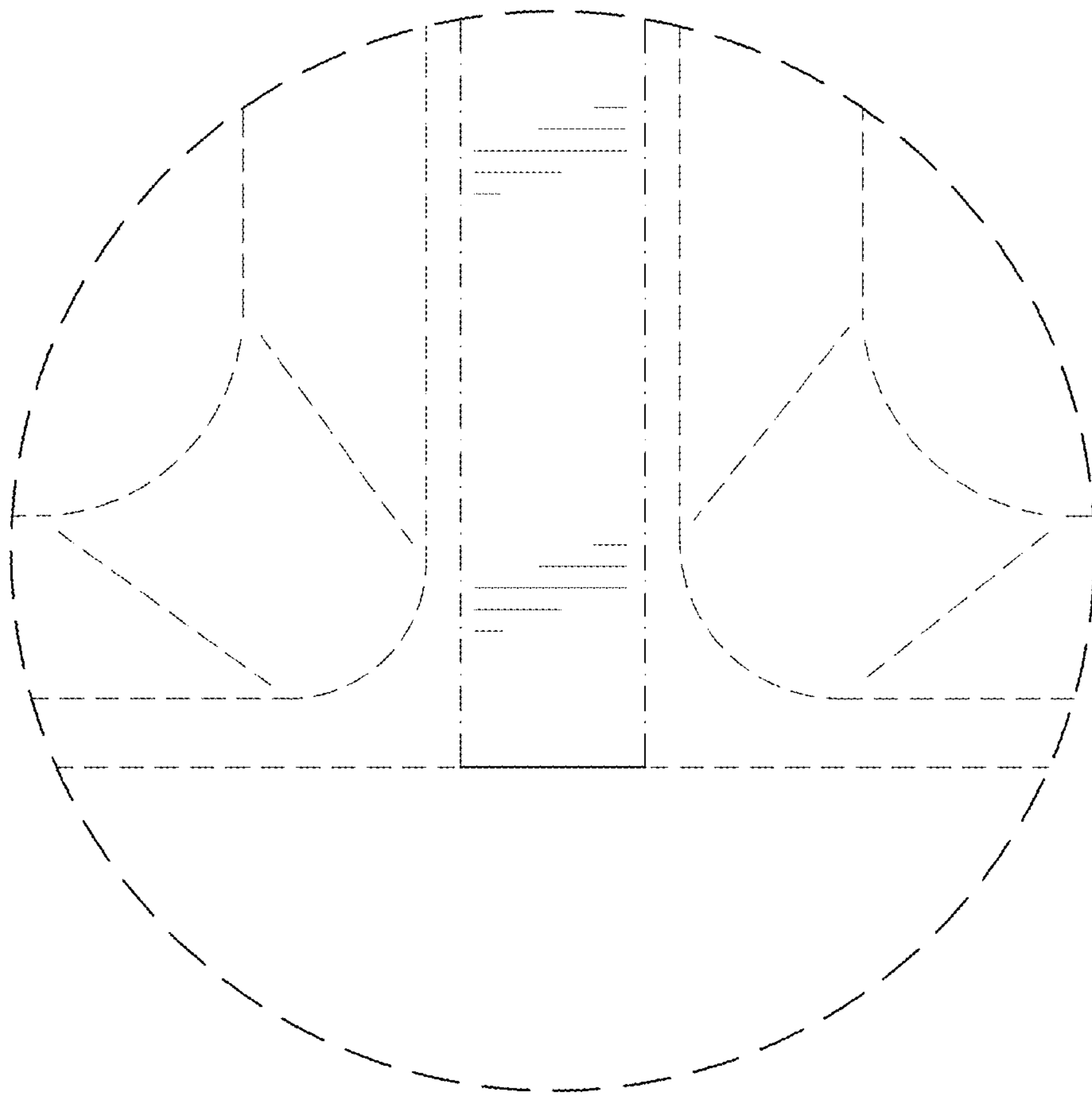


FIG. 15

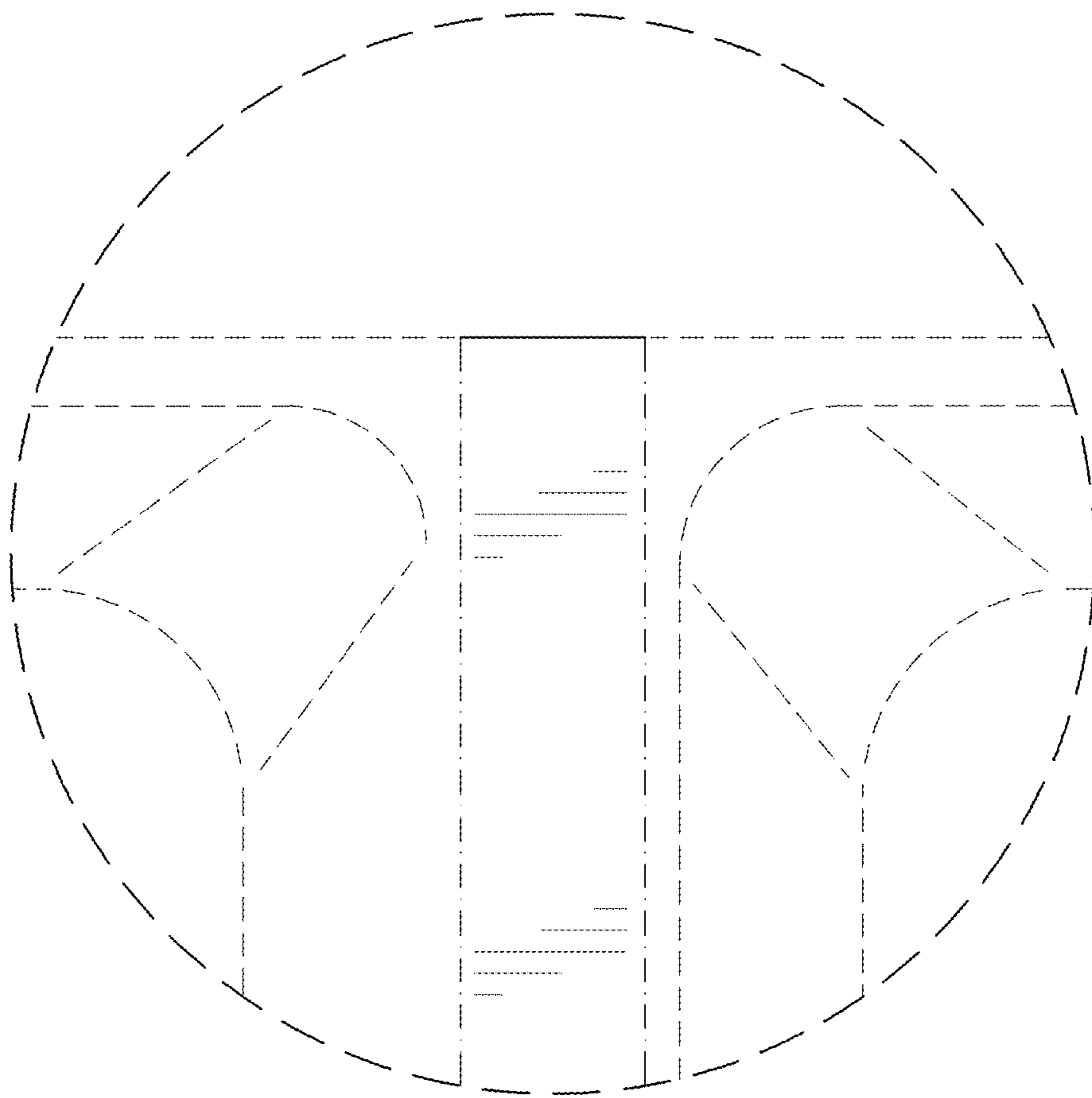


FIG. 16



FIG. 17

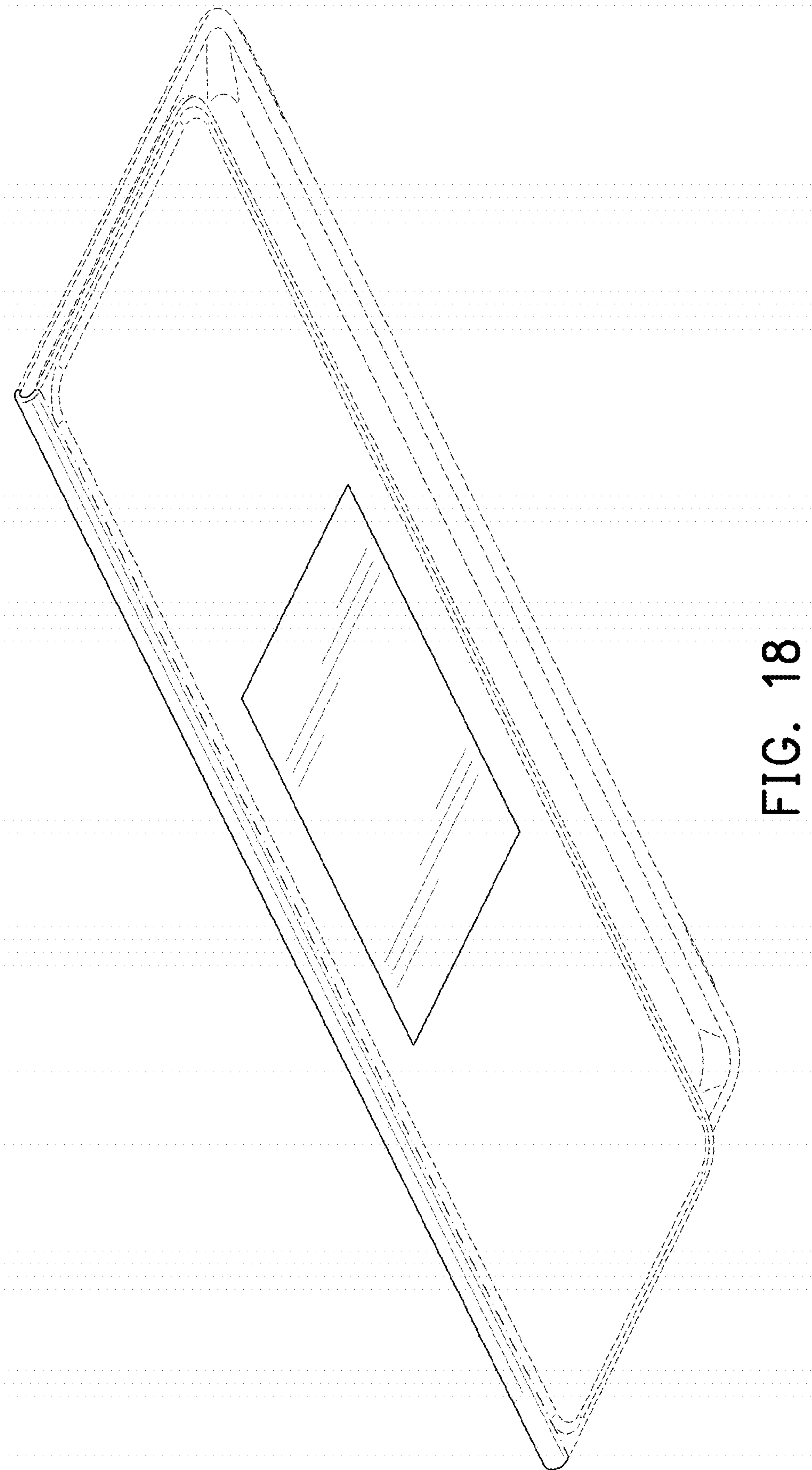


FIG. 18