



US00D886110S

(12) **United States Design Patent** (10) **Patent No.:** **US D886,110 S**
Akana et al. (45) **Date of Patent:** **** Jun. 2, 2020**

(54) **STAND**

(71) Applicant: **Apple Inc.**, Cupertino, CA (US)

(72) Inventors: **Jody Akana**, San Francisco, CA (US); **Bartley K. Andre**, Palo Alto, CA (US); **Jeremy Bataillou**, San Francisco, CA (US); **Daniel J. Coster**, San Francisco, CA (US); **Daniele De Iuliis**, San Francisco, CA (US); **M. Evans Hankey**, San Francisco, CA (US); **Julian Hoenig**, San Francisco, CA (US); **Richard P. Howarth**, San Francisco, CA (US); **Jonathan P. Ive**, San Francisco, CA (US); **Duncan Robert Kerr**, San Francisco, CA (US); **Shin Nishibori**, Kailua, HI (US); **Matthew Dean Rohrbach**, San Francisco, CA (US); **Peter Russell-Clarke**, San Francisco, CA (US); **Christopher J. Stringer**, Woodside, CA (US); **Eugene Antony Whang**, San Francisco, CA (US); **Rico Zörkendörfer**, San Francisco, CA (US)

(73) Assignee: **Apple Inc.**, Cupertino, CA (US)

(**) Term: **15 Years**

(21) Appl. No.: **29/600,616**

(22) Filed: **Apr. 13, 2017**

Related U.S. Application Data

(63) Continuation of application No. 29/519,092, filed on Mar. 2, 2015, now Pat. No. Des. 784,351, which is a (Continued)

(51) **LOC (12) Cl.** **08-07**

(52) **U.S. Cl.**
USPC **D14/447**

(58) **Field of Classification Search**

USPC D14/447, 432, 434, 439, 440, 451, 452, D14/457, 239; D8/363, 373, 380; (Continued)

(56) **References Cited**

U.S. PATENT DOCUMENTS

D279,847 S * 7/1985 Hanover D14/447
D295,748 S 5/1988 Day
(Continued)

FOREIGN PATENT DOCUMENTS

BR DI6800850-3 8/2008

Primary Examiner — Angela J Lee

(74) *Attorney, Agent, or Firm* — Sterne, Kessler, Goldstein & Fox P.L.L.C.

(57) **CLAIM**

The ornamental design for a stand, as shown and described.

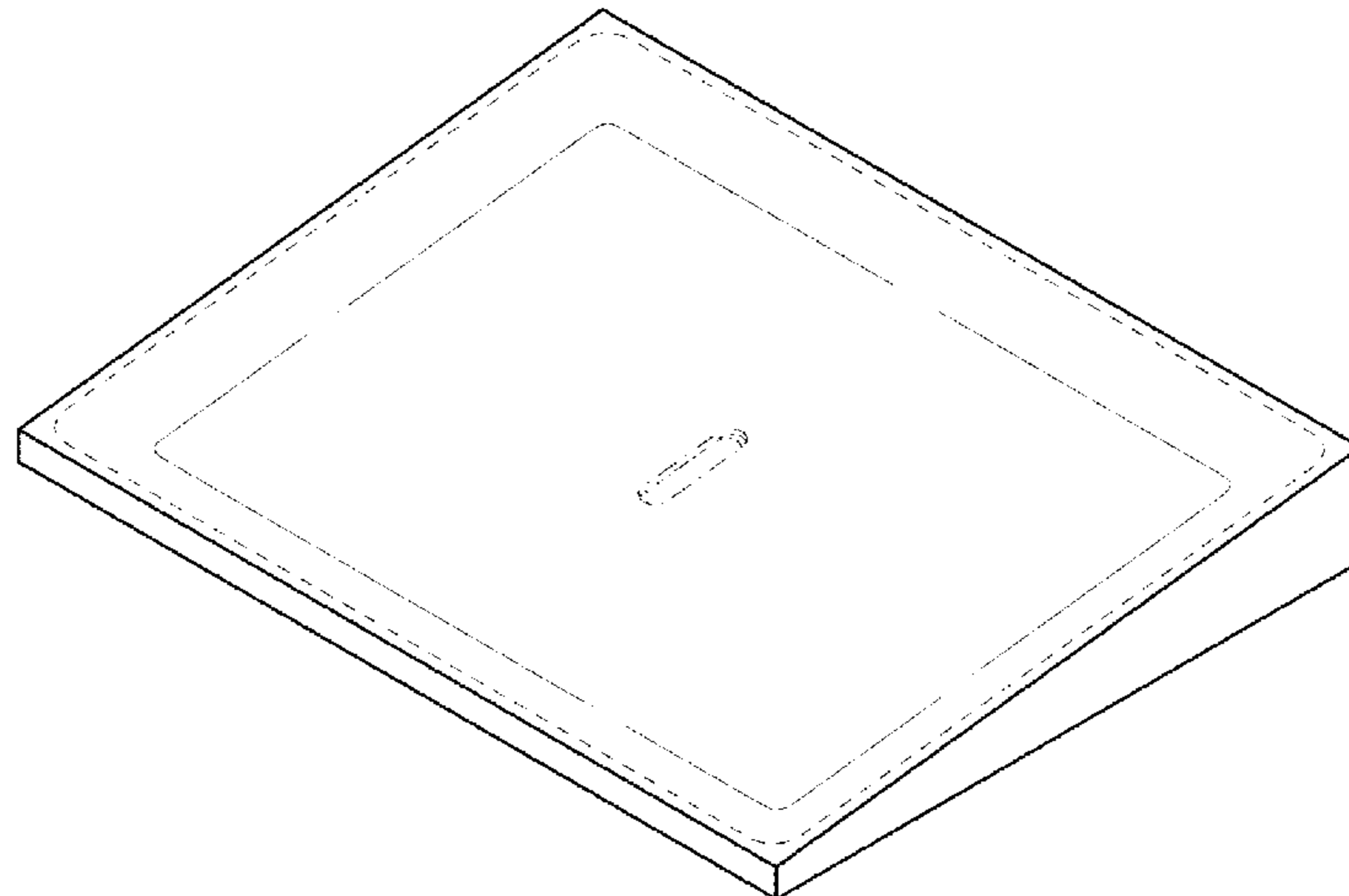
DESCRIPTION

FIG. 1 is a front perspective view of a stand showing our new design;
FIG. 2 is a top plan view thereof;
FIG. 3 is a bottom plan view thereof;
FIG. 4 is a front view thereof;
FIG. 5 is a rear view thereof;
FIG. 6 is a cross-sectional view thereof taken along line 6-6 in FIG. 2; and,
FIG. 7 is a side view thereof, the other side view being a mirror image thereof.

The shade lines in the Figures show contour and not surface ornamentation.

The dashed broken lines in the figures show portions of the stand that form no part of the claimed design. The dot-dash broken lines in the figures show boundaries that form no part of the claimed design. The areas within the dot-dash broken

(Continued)



lines in the figures form no part of the claimed design. The dashed broken line cross-hatching in FIG. 6 forms no part of the claimed design.

1 Claim, 5 Drawing Sheets

Related U.S. Application Data

continuation of application No. 29/440,918, filed on Dec. 28, 2012, now Pat. No. Des. 723,572, which is a continuation of application No. 29/391,723, filed on May 12, 2011, now Pat. No. Des. 673,571, said application No. 29/519,092 is a continuation of application No. 29/440,932, filed on Dec. 28, 2012, now Pat. No. Des. 724,597, which is a continuation of application No. 29/392,465, filed on May 20, 2011, now Pat. No. Des. 673,572, which is a continuation-in-part of application No. 29/391,723, filed on May 12, 2011, now Pat. No. Des. 673,571, said application No. 29/440,932 is a continuation-in-part of application No. 29/391,723, filed on May 12, 2011, now Pat. No. Des. 673,571.

(58) **Field of Classification Search**

USPC D6/406.3, 406.4, 406.5, 406.6; D12/415; D21/330, 331

CPC A47B 21/04; A47B 2097/006; A47B 2097/005; A47B 2023/049; A45C 2011/002; A45C 2011/003; F16M 2200/00; F16M 13/00

See application file for complete search history.

(56) **References Cited**

U.S. PATENT DOCUMENTS

D318,961 S 8/1991 Edelson
 D338,685 S 8/1993 Dakich
 D339,537 S 9/1993 Willnauer
 5,280,229 A 1/1994 Faude et al.
 D365,105 S 12/1995 Aubuchon
 D392,474 S 3/1998 Frasketi
 D392,958 S 3/1998 Gaete

D414,166 S 9/1999 De Paris
 D442,939 S 5/2001 Goldenburg
 D450,707 S 11/2001 Francavilla et al.
 D483,771 S 12/2003 Esswein
 D488,440 S 4/2004 Senda
 D543,209 S 5/2007 Bae
 D555,655 S * 11/2007 Iu D14/447
 D583,821 S 12/2008 Richter
 D596,618 S 7/2009 Zha
 D598,024 S * 8/2009 Scott D14/432
 D598,920 S 8/2009 Fujino et al.
 D599,792 S 9/2009 Lin
 D621,406 S 8/2010 Hoehn et al.
 D623,188 S 9/2010 Son et al.
 D626,129 S 10/2010 Lutz
 D637,601 S 5/2011 Symons
 D639,267 S 6/2011 Delorenzo et al.
 D642,121 S 7/2011 Lee et al.
 D642,172 S 7/2011 Akana et al.
 D651,606 S 1/2012 Luijben
 D661,308 S 6/2012 Capozzoli, II
 D673,571 S * 1/2013 Akana D14/447
 D673,572 S 1/2013 Akana et al.
 D676,448 S 2/2013 Gorman et al.
 D680,118 S * 4/2013 Schmelling D14/434
 D687,441 S 8/2013 Janzen
 D688,671 S 8/2013 Avganim
 D690,137 S 9/2013 Kikkert et al.
 D690,138 S 9/2013 Kikkert et al.
 D692,008 S 10/2013 Feldstein et al.
 D692,420 S 10/2013 McManigal et al.
 D692,437 S 10/2013 Sugino et al.
 D696,258 S * 12/2013 Padilla D14/447
 D701,213 S 3/2014 Pajic
 D708,270 S 7/2014 Heirakuji et al.
 D720,358 S * 12/2014 Ginsterblum D14/447
 D721,710 S 1/2015 Messing
 D722,061 S 2/2015 Byrne et al.
 D723,572 S 3/2015 Akana et al.
 D724,597 S 3/2015 Akana et al.
 D737,829 S 9/2015 Lee
 D747,322 S 1/2016 Li
 D752,596 S 3/2016 Choi et al.
 D762,648 S * 8/2016 Akana D14/434
 D762,649 S * 8/2016 Akana D14/434
 D780,766 S * 3/2017 Akana D14/447
 D784,351 S * 4/2017 Akana D14/447
 D800,735 S * 10/2017 Akana D14/451

* cited by examiner

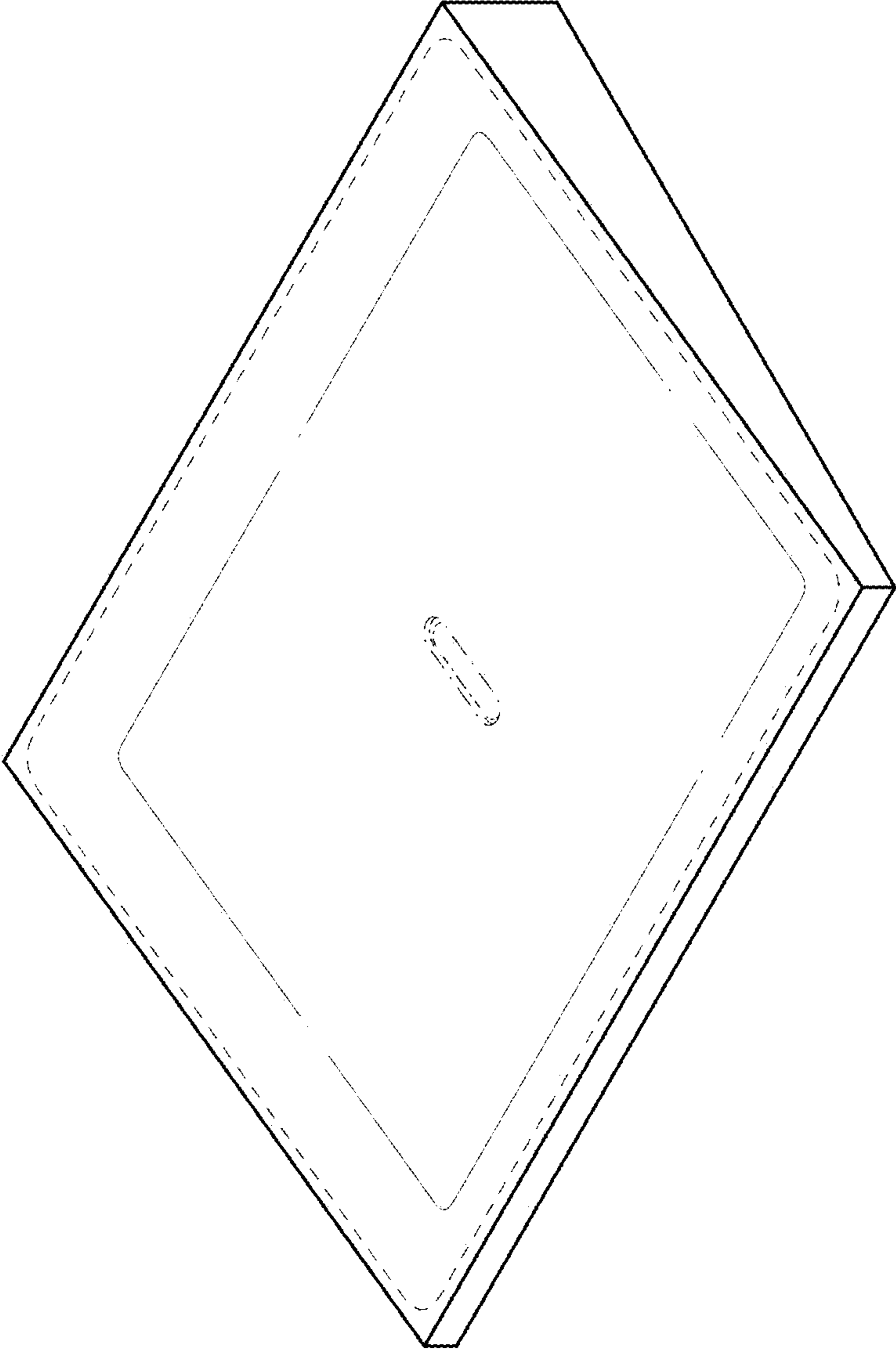
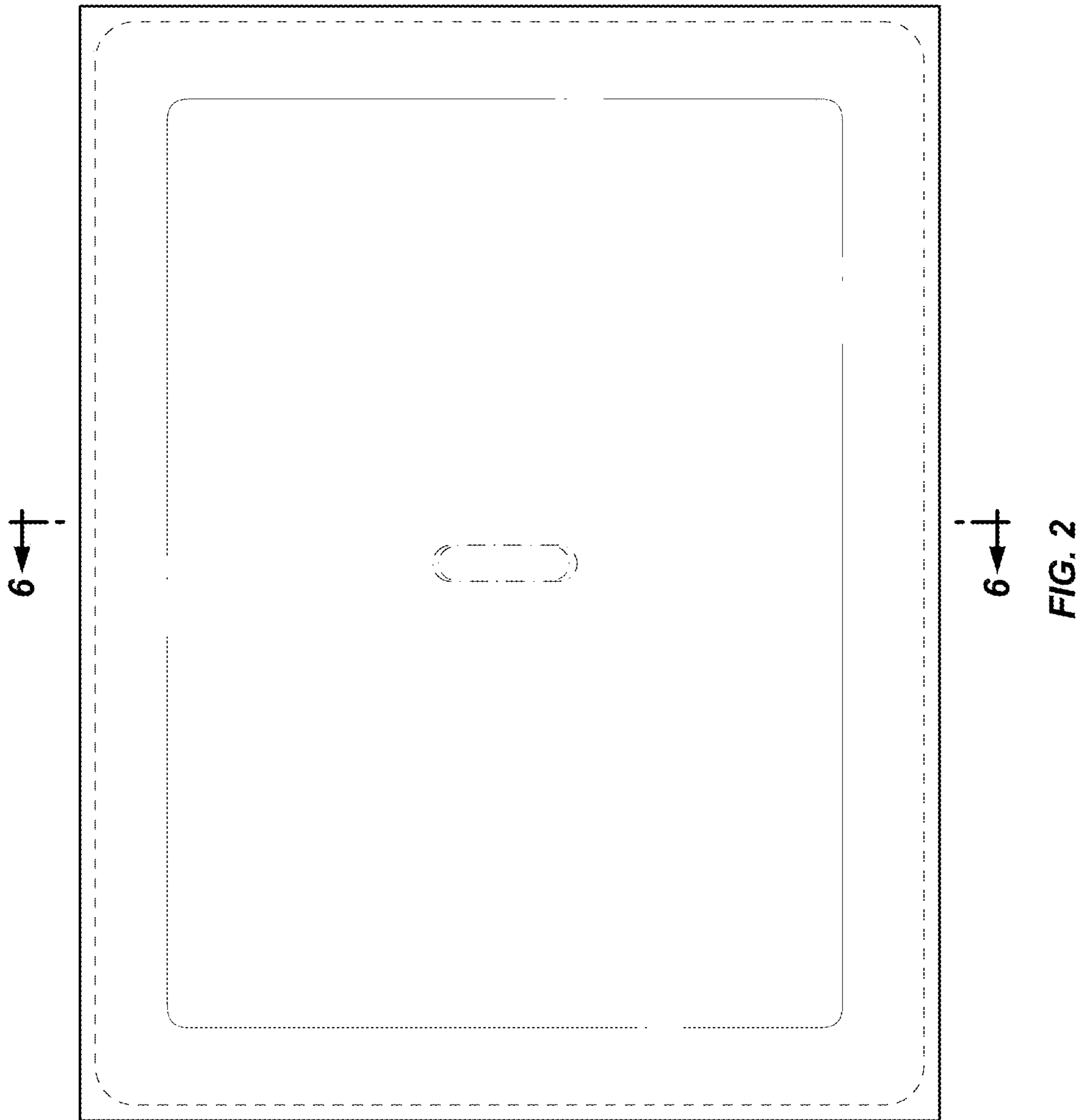


FIG. 1



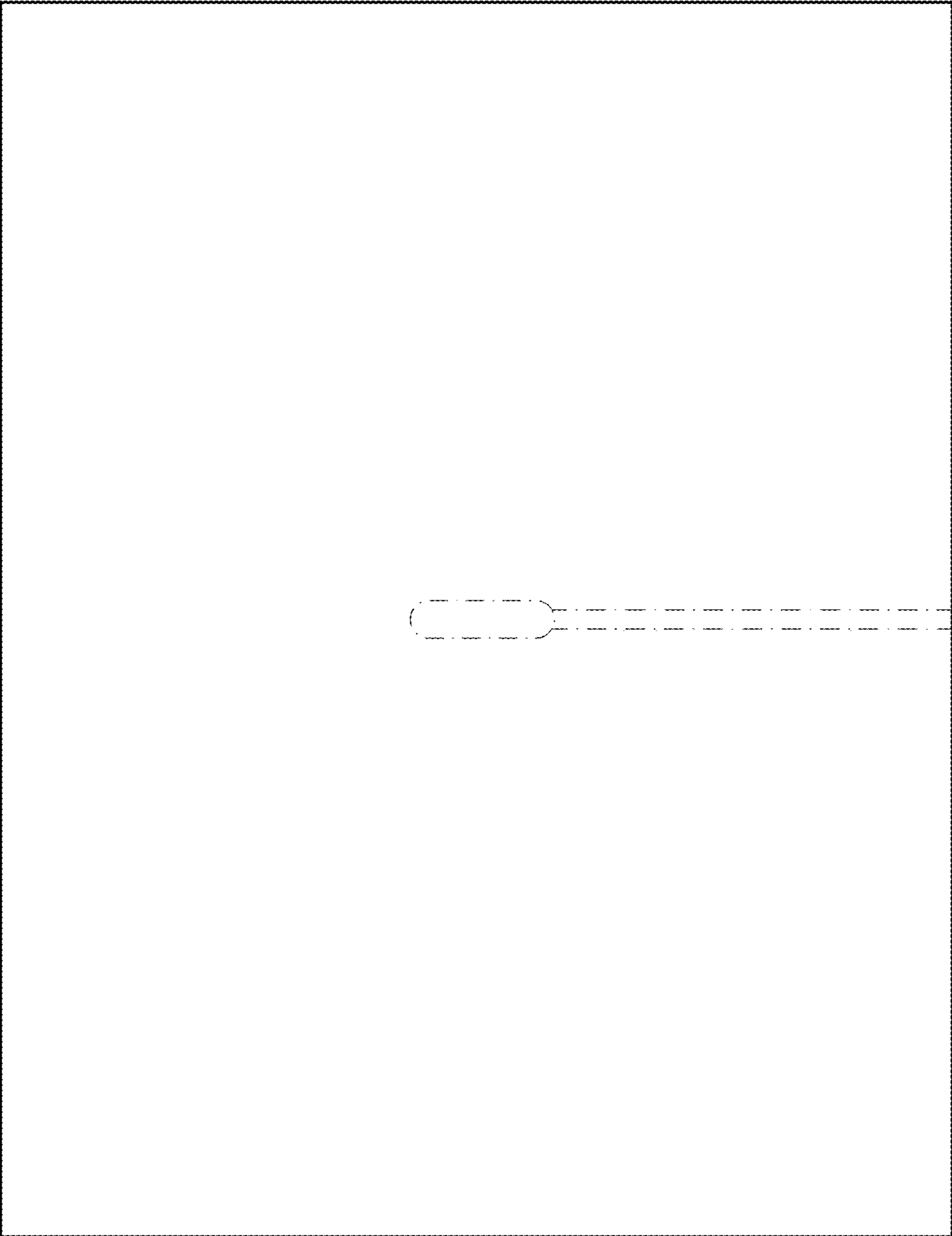


FIG. 3

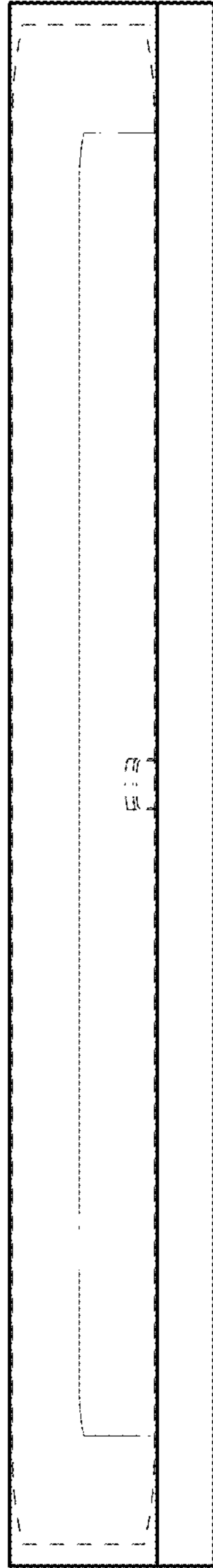


FIG. 4

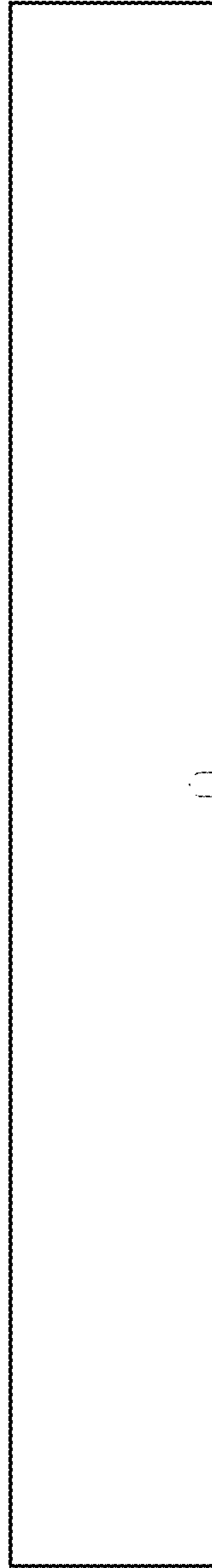


FIG. 5

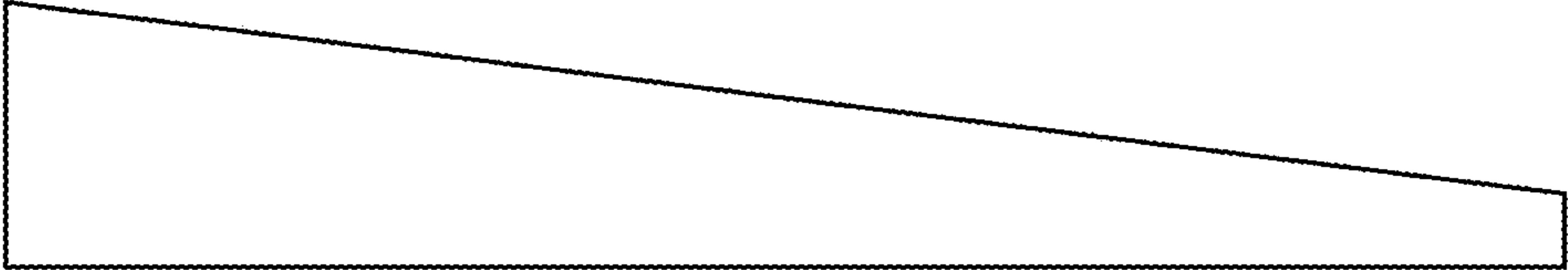


FIG. 7

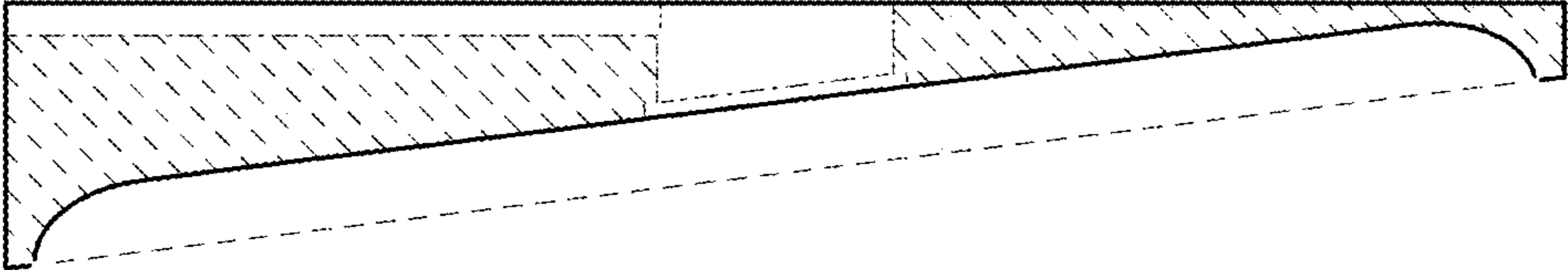


FIG. 6