



US00D886109S

(12) **United States Design Patent**
Li

(10) **Patent No.:** **US D886,109 S**
(45) **Date of Patent:** **** Jun. 2, 2020**

(54) **PROTECTIVE CASE FOR TABLET**

(71) Applicant: **DONGGUAN GANGYUAN TECHNOLOGY CO., LTD.**,
Dongguan (CN)

(72) Inventor: **Jianyong Li**, Heyuan (CN)

(73) Assignee: **DONGGUAN GANGYUAN TECHNOLOGY CO., LTD.**,
Dongguan (CN)

(**) Term: **15 Years**

(21) Appl. No.: **29/718,378**

(22) Filed: **Dec. 23, 2019**

(30) **Foreign Application Priority Data**

Dec. 18, 2019 (EM) 007423363

(51) **LOC (12) Cl.** **14-02**

(52) **U.S. Cl.**
USPC **D14/440**

(58) **Field of Classification Search**
USPC D14/440; 206/45.23, 320, 45.2;
361/679.55; 294/25; 224/218
CPC G06F 1/626; H04B 1/3555; H05K 5/0217
See application file for complete search history.

(56) **References Cited**

U.S. PATENT DOCUMENTS

D689,056 S *	9/2013	Li	D14/440
D690,704 S *	10/2013	Padilla	D14/440
D696,670 S	12/2013	Schiller et al.		
D714,791 S	10/2014	Liu		
D727,917 S *	4/2015	Yeo	D14/440
D733,154 S *	6/2015	Armstrong	D14/440
D737,276 S	8/2015	Armstrong et al.		
D752,052 S *	3/2016	Park	D14/440
D763,853 S *	8/2016	Pearce	D14/440

D766,249 S *	9/2016	Veltz	D14/440
D784,350 S *	4/2017	Li	D14/440
D790,550 S *	6/2017	Chen	D14/440
D803,221 S *	11/2017	Guo	D14/440
D806,080 S *	12/2017	Chen	D14/440
D807,366 S *	1/2018	Chen	D14/440
D807,369 S *	1/2018	Chen	D14/440
D808,973 S *	1/2018	Chen	D14/440
D811,412 S *	2/2018	McCurdy	D14/440
D812,620 S *	3/2018	Cheng	D14/440
D821,405 S *	6/2018	Chen	D14/440
D854,022 S *	7/2019	Chen	D14/440
D860,212 S *	9/2019	Ahn	D14/440
D862,478 S *	10/2019	Ahn	D14/440
D862,479 S *	10/2019	Ahn	D14/440

(Continued)

Primary Examiner — Cynthia R Underwood

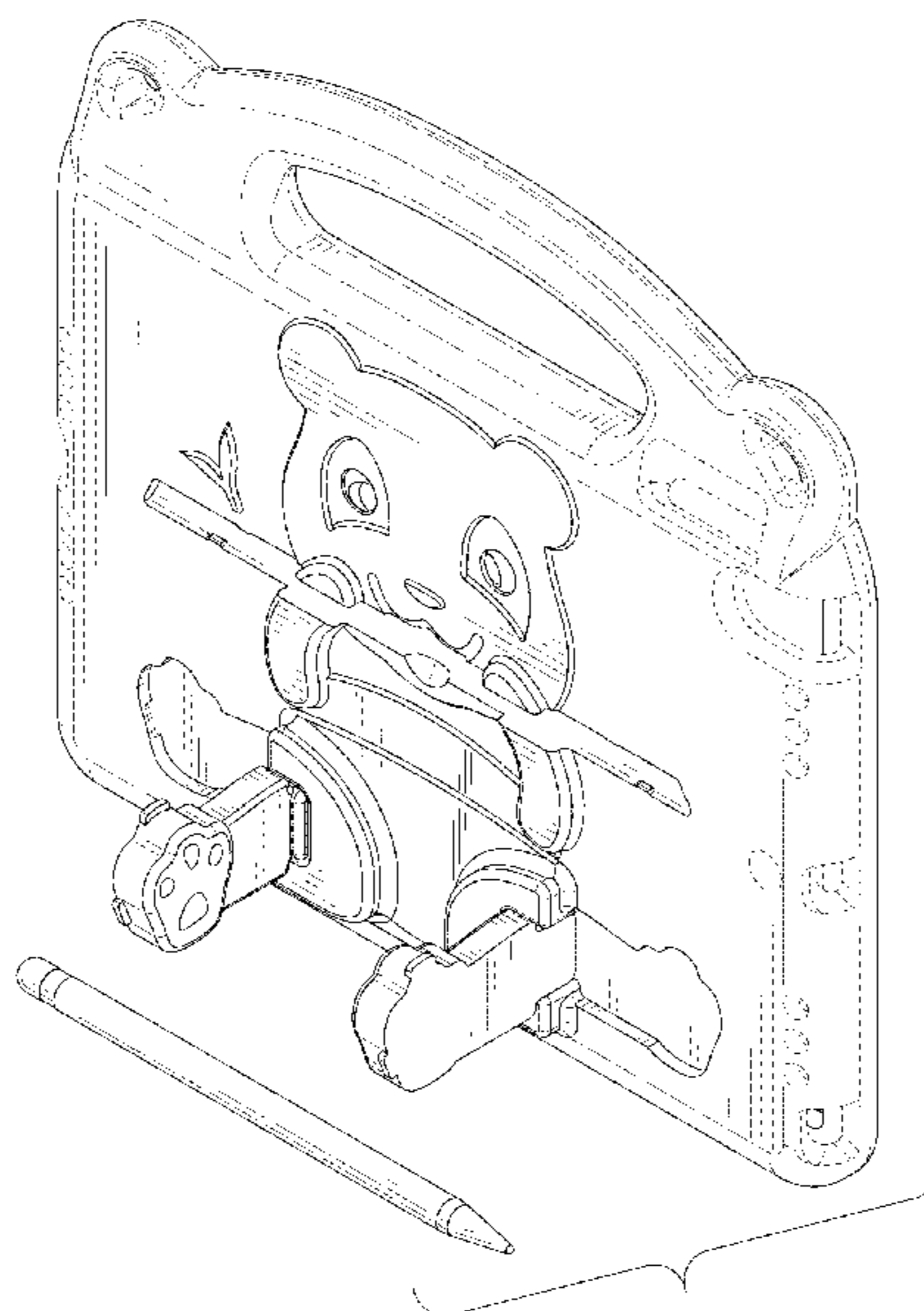
(57) **CLAIM**

The ornamental design for a protective case for tablet, as shown and described.

DESCRIPTION

FIG. 1 is a perspective view of a protective case for tablet showing my new design;
 FIG. 2 is another perspective view thereof;
 FIG. 3 is a front elevational view thereof;
 FIG. 4 is a rear elevational view thereof;
 FIG. 5 is a left side elevational view thereof;
 FIG. 6 is a right side elevational view thereof;
 FIG. 7 is a top plan view thereof;
 FIG. 8 is a bottom plan view thereof;
 FIG. 9 is a perspective view thereof shown in an environment of use; and,
 FIG. 10 is a perspective view of a protective case for tablet showing my new design where the protective case for tablet is in a second configuration of use.
 The broken lines depict portions of the protective case for tablet and environment and form no part of the claimed design.

1 Claim, 10 Drawing Sheets



(56)

References Cited

U.S. PATENT DOCUMENTS

D862,480 S * 10/2019 Chan D14/440
D863,313 S * 10/2019 Li D14/440
2012/0075799 A1* 3/2012 Pollex F16M 11/041
361/679.56
2017/0045920 A1* 2/2017 Armstrong G06F 1/1669
2017/0097698 A1* 4/2017 Maeshima G06F 3/03545

* cited by examiner

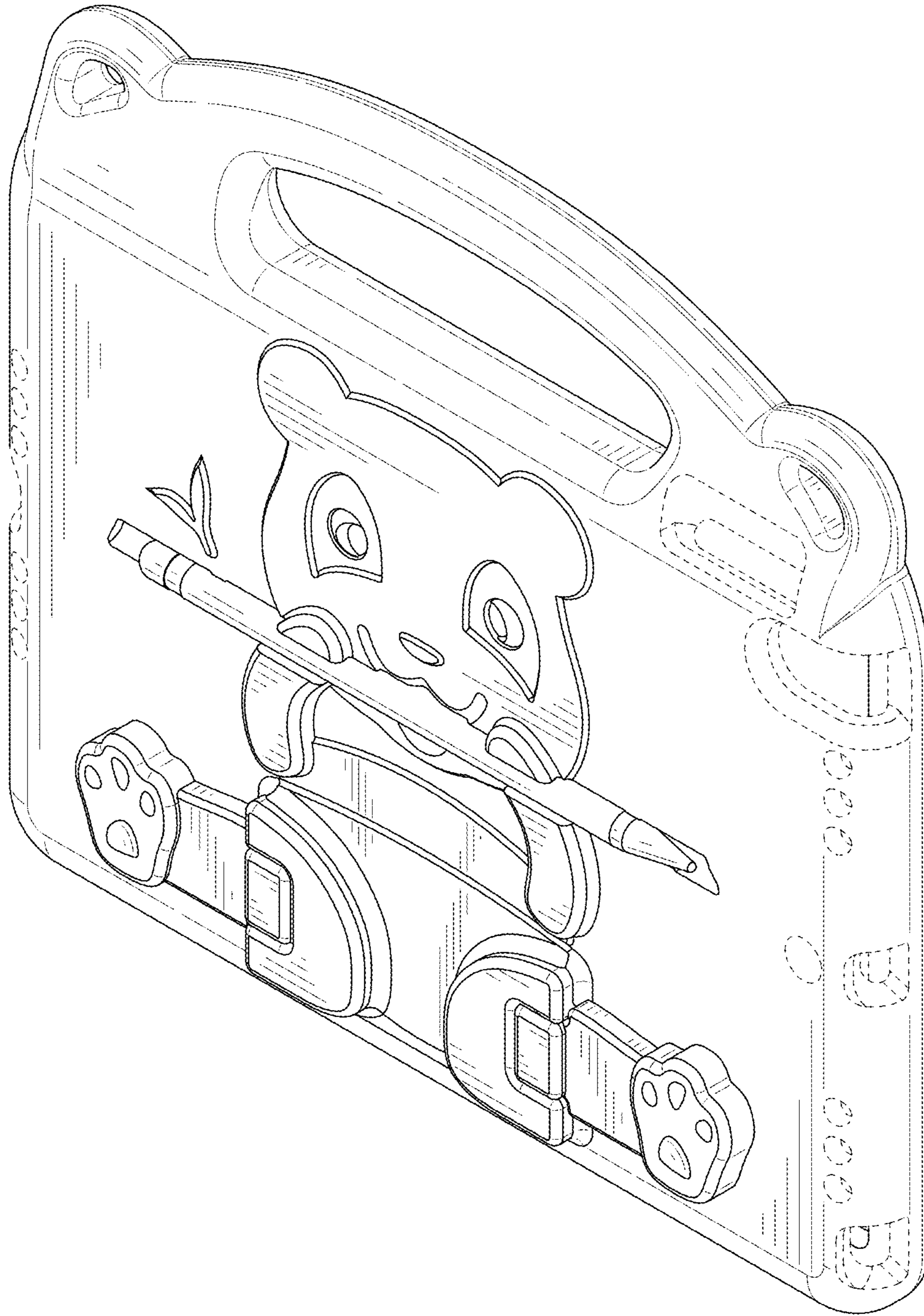


FIG. 1

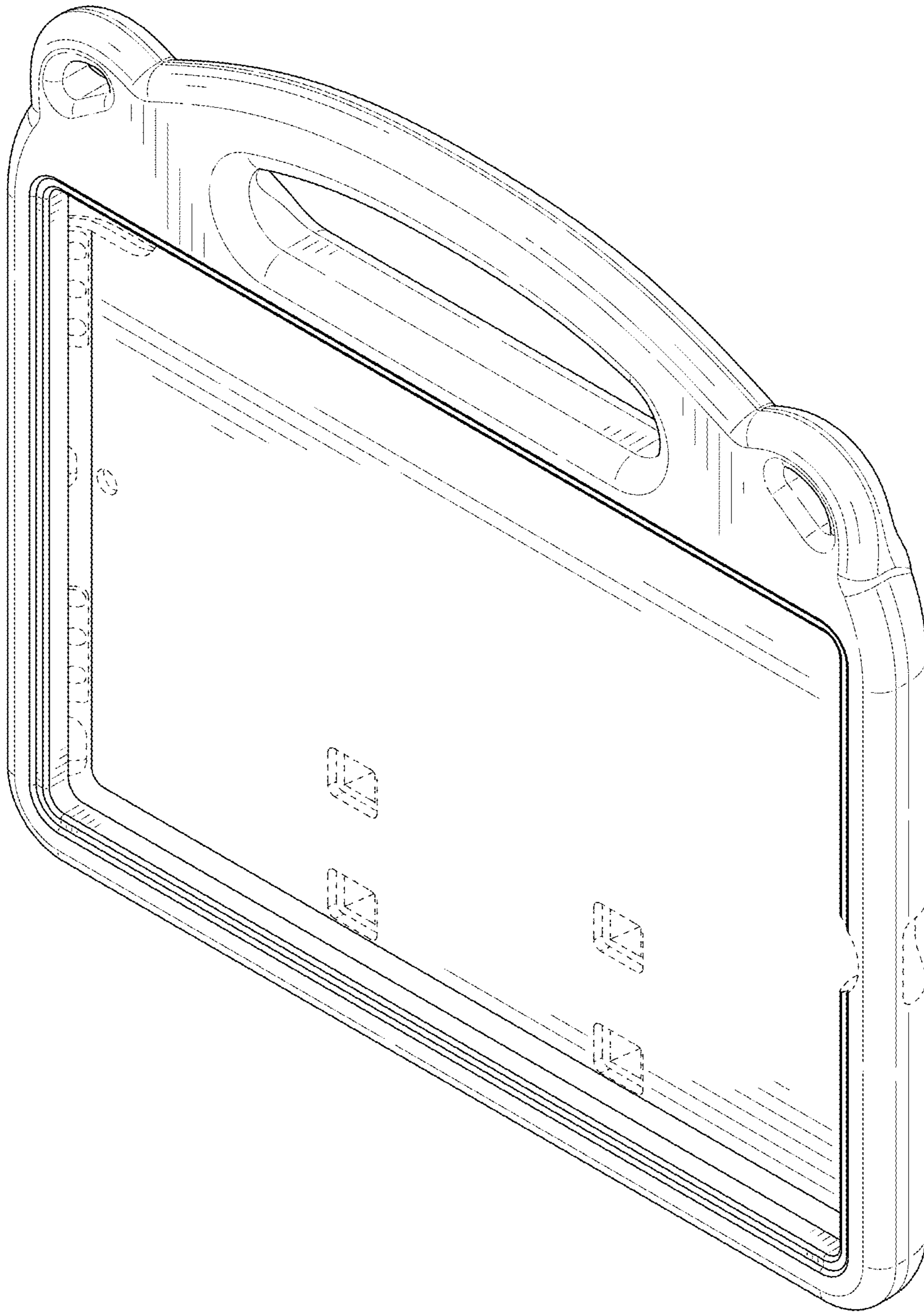


FIG. 2

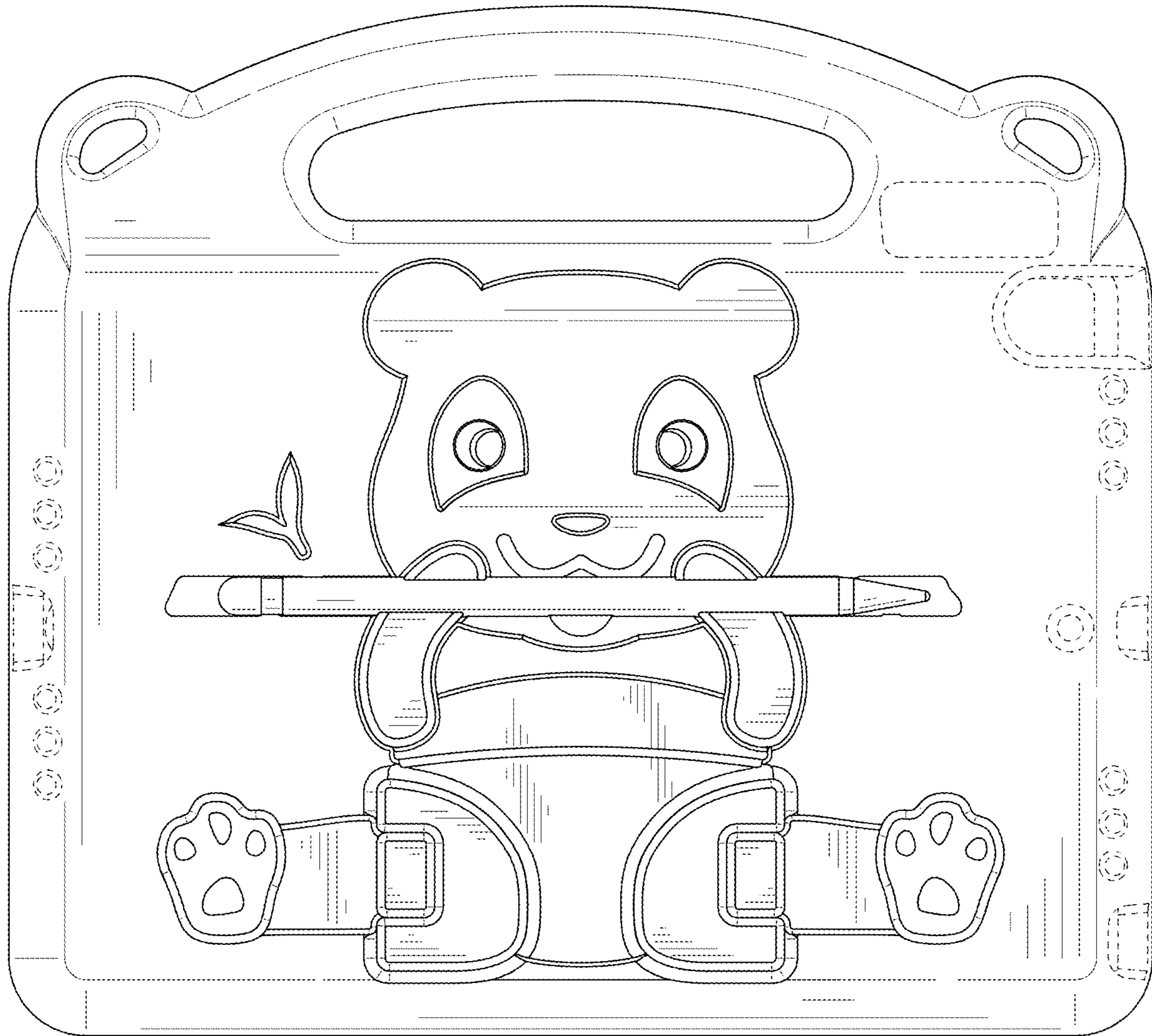


FIG. 3

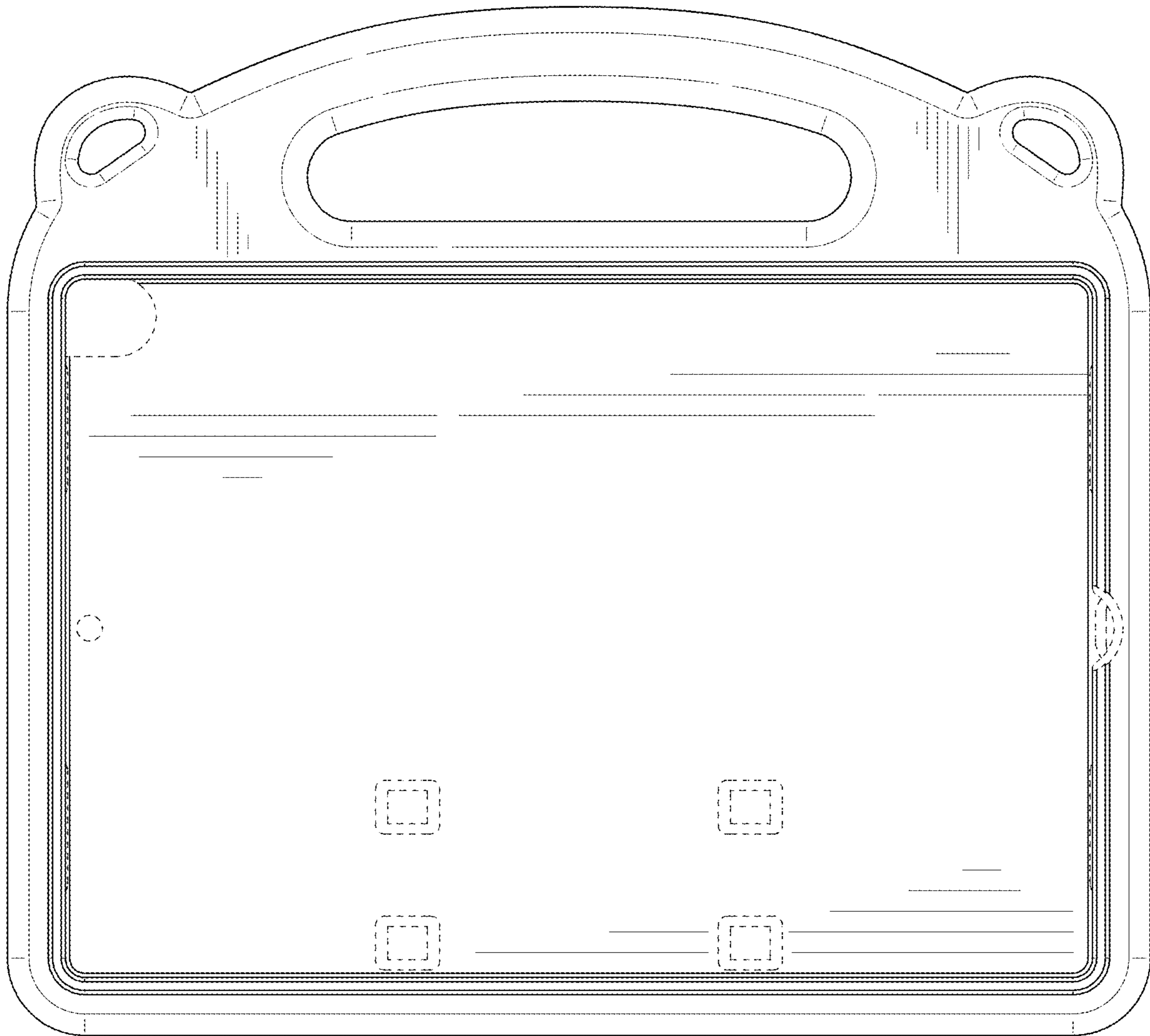


FIG. 4

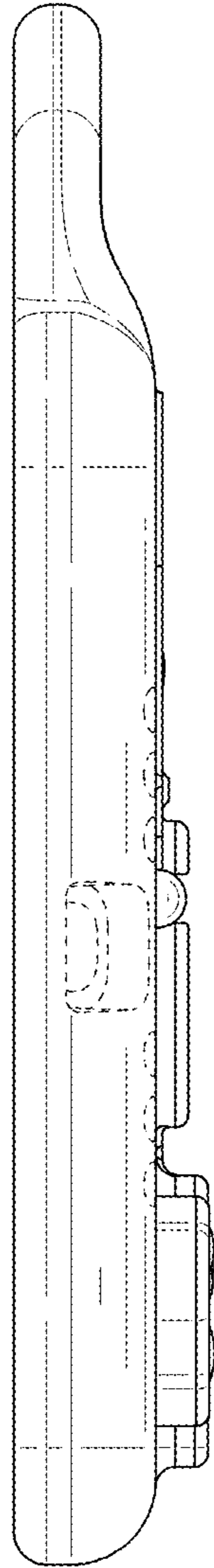


FIG. 5

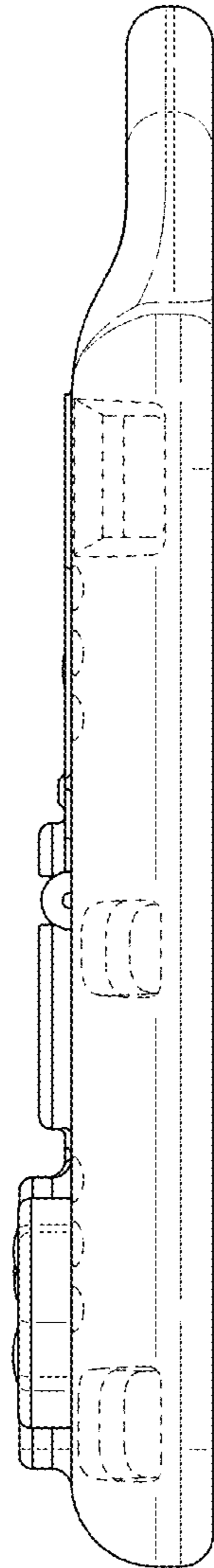


FIG. 6

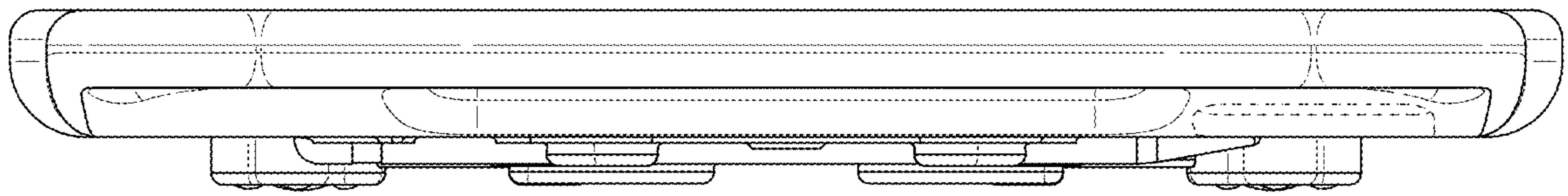


FIG. 7

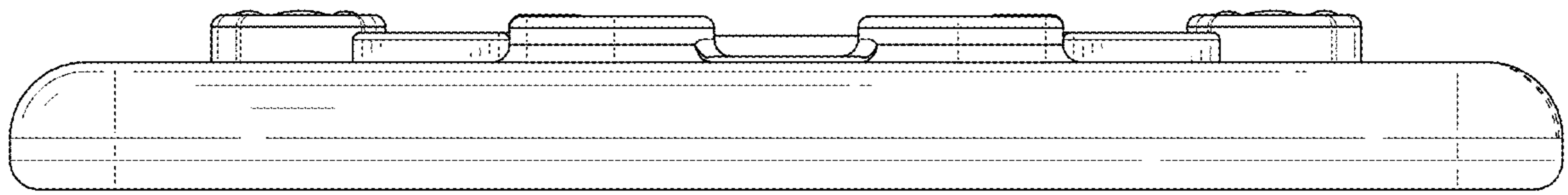


FIG. 8

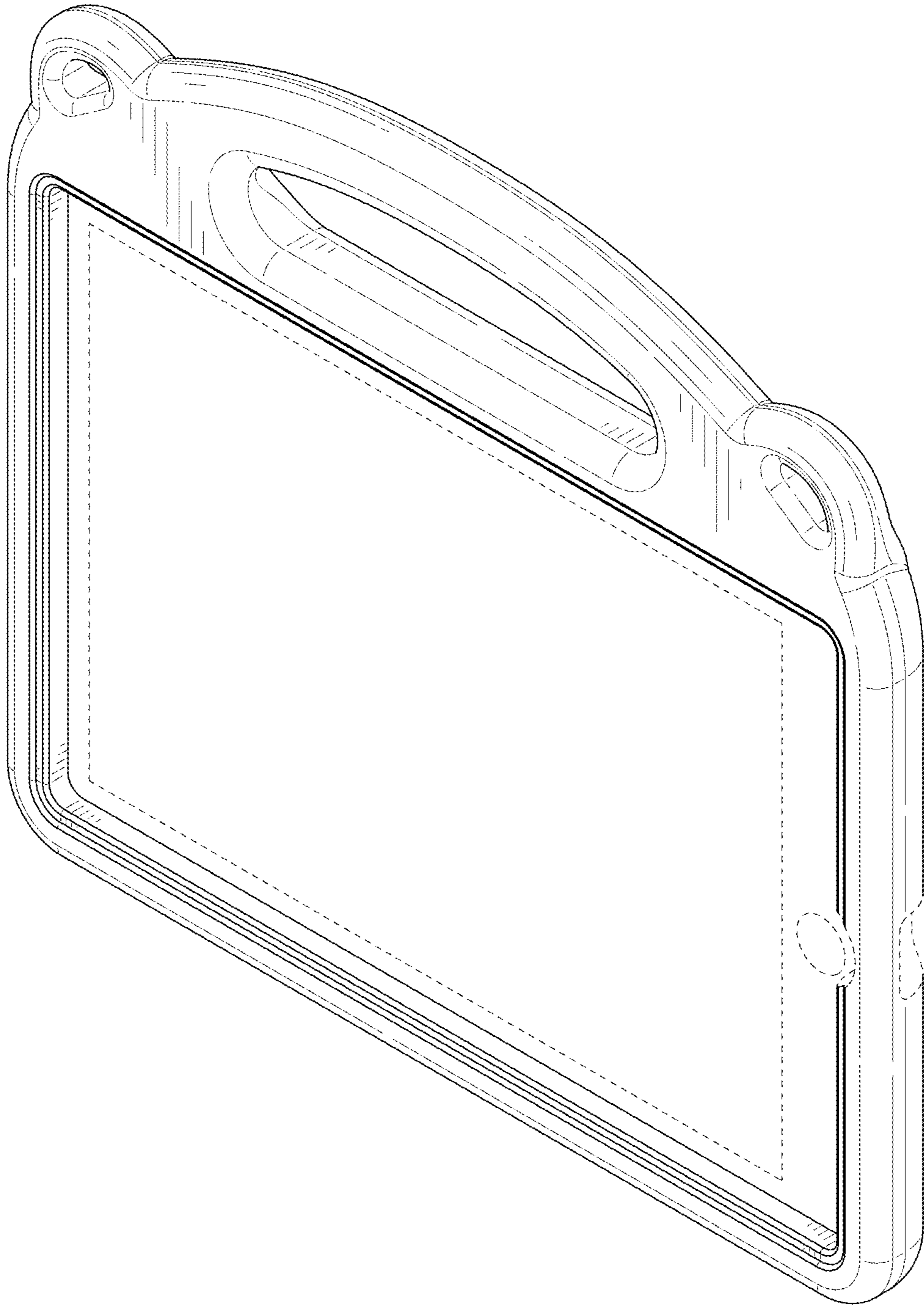


FIG. 9

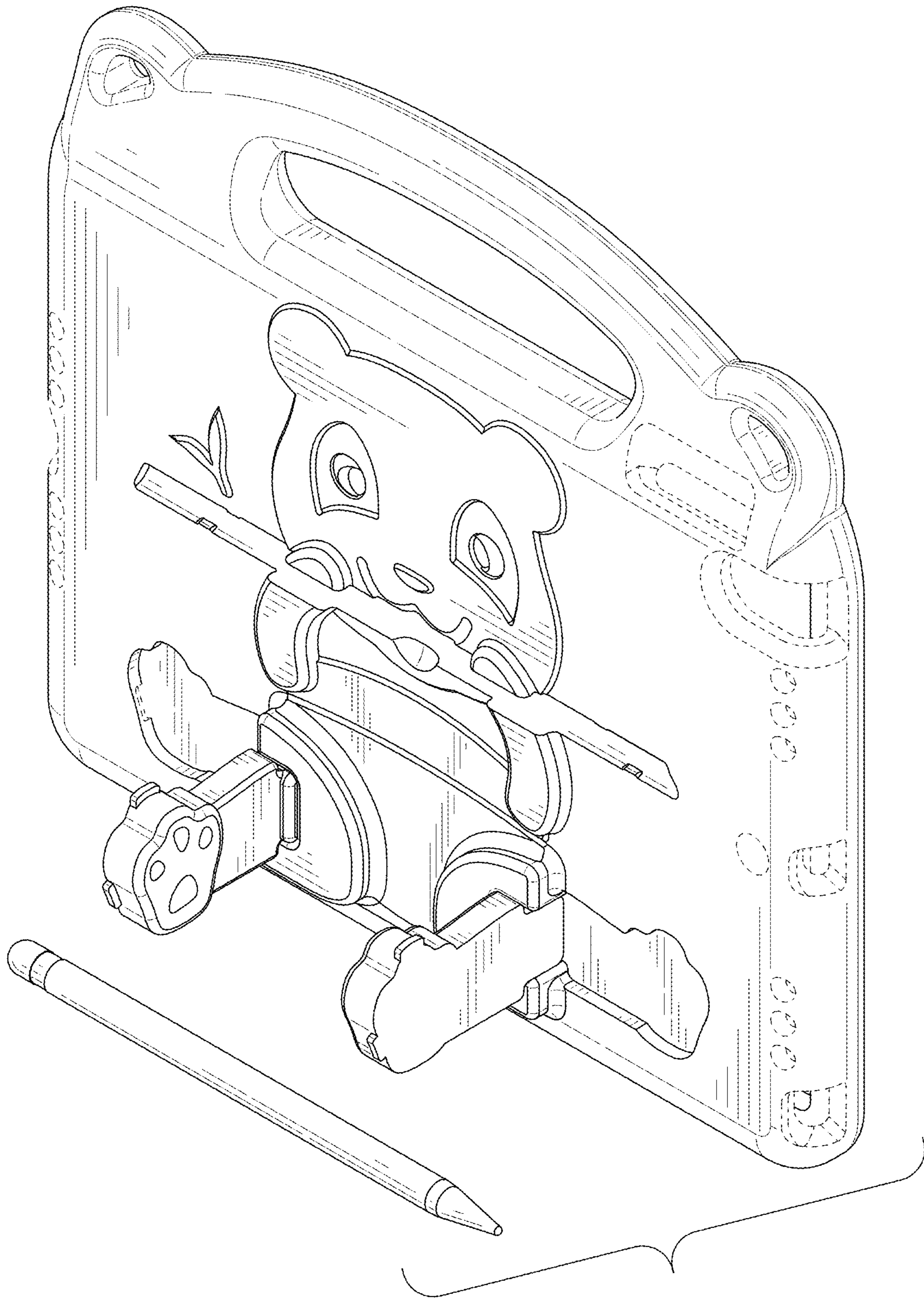


FIG. 10