



US00D886107S

(12) **United States Design Patent**
Kuo et al.

(10) **Patent No.:** **US D886,107 S**
(45) **Date of Patent:** **** Jun. 2, 2020**

- (54) **DOCKING STATION**
- (71) Applicant: **Getac Technology Corporation**,
Hsinchu County (TW)
- (72) Inventors: **Hsiu-Yu Kuo**, Taipei (TW);
Chun-Hsing Li, Taipei (TW);
Shi-Liang Zhong, Taipei (TW)
- (73) Assignee: **GETAC TECHNOLOGY**
CORPORATION, Hsinchu County
(TW)
- (**) Term: **15 Years**
- (21) Appl. No.: **29/682,220**
- (22) Filed: **Mar. 4, 2019**
- (51) **LOC (12) Cl.** **14-02**
- (52) **U.S. Cl.**
USPC **D14/434**
- (58) **Field of Classification Search**
USPC ... D14/434, 433, 435, 435.1, 356, 357, 358,
D14/440, 447, 251-253, 432, 451, 452,
D14/454, 217, 240, 299, 496, 171;
D13/103, 107, 108, 184, 110, 123, 133,
D13/135; D21/333
CPC G06F 1/1632; G06F 13/00; G06F 13/38;
G06F 13/382; G06F 13/385; G06F
13/387; G06F 3/065; G06F 9/541; G06F
2213/3814; G06F 2213/40; G06F
2213/4004; H01R 31/06; H01R 31/065;
H01R 27/00; H01R 13/512; H01R 13/62;
H04R 5/04
See application file for complete search history.

- D546,760 S * 7/2007 Aguilar D13/108
 - D548,235 S * 8/2007 Krieger D14/401
 - D552,185 S * 10/2007 Hussaini D14/434
 - D557,207 S * 12/2007 Aguilar D13/108
 - D618,689 S * 6/2010 Shimizu D14/434
- (Continued)

OTHER PUBLICATIONS

Expand Seat (CN305302195). (Design—© Questel) orbit.com. [online PDF] 5 pgs. Print Date Aug. 13, 2019. [retrieved Mar. 2, 2020] <https://www.orbit.com/export/QPTUJ214/pdf2/0bafa2f2-b363-45bc-a5f2-5bc3a1f86edd-174502.pdf>.*

Primary Examiner — Marie D. Fast Horse
(74) *Attorney, Agent, or Firm* — Locke Lord LLP; Tim Tingkang Xia, Esq.

(57) **CLAIM**

The ornamental design for a docking station, as shown and described.

DESCRIPTION

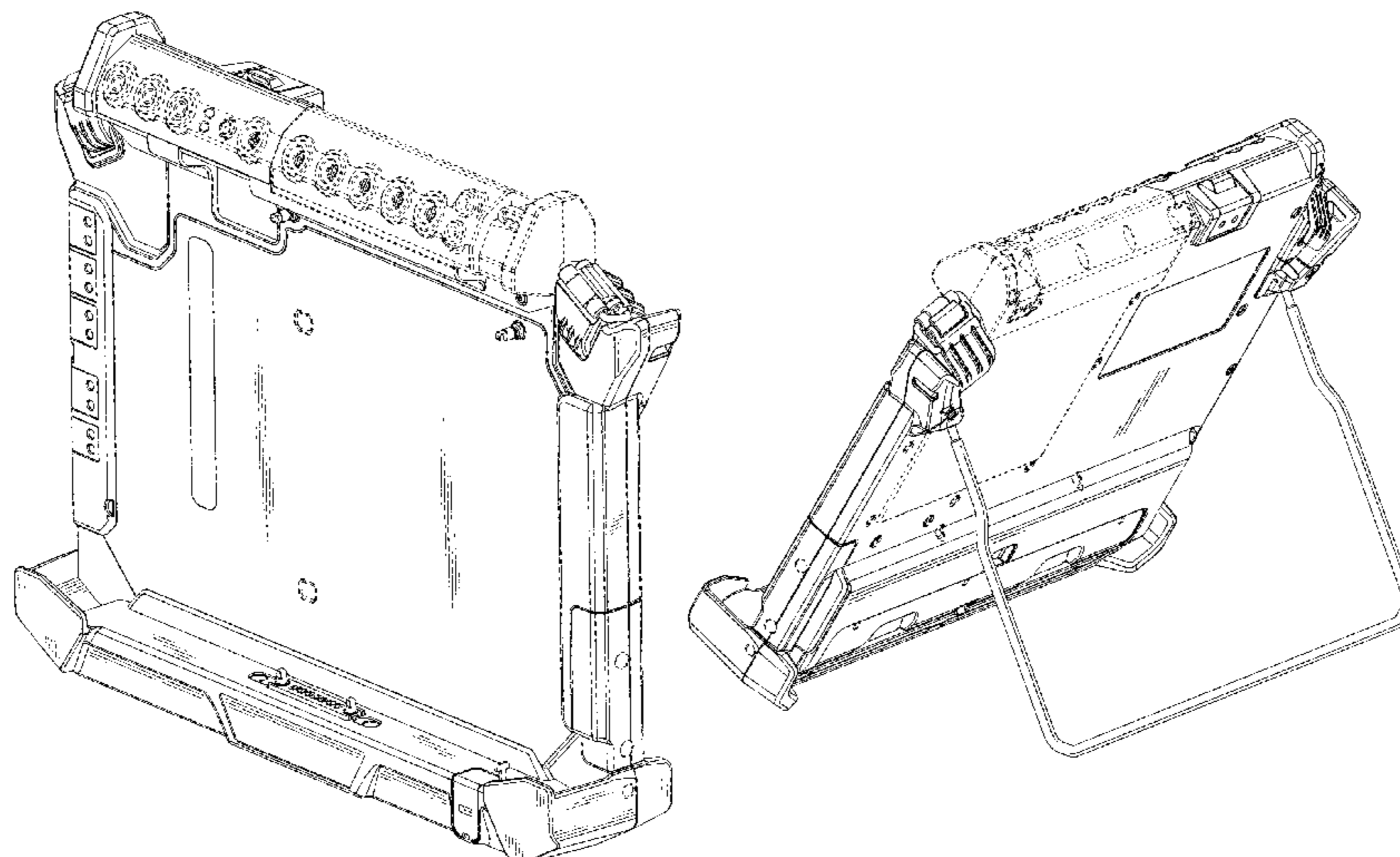
FIG. 1 is a perspective view of a docking station showing the claimed design;
FIG. 2 is a front view thereof;
FIG. 3 is a rear view thereof;
FIG. 4 is a left side view thereof;
FIG. 5 is a right side view thereof;
FIG. 6 is a top view thereof;
FIG. 7 is a bottom view thereof;
FIG. 8 is another perspective view showing the docking station being in a usage state; and,
FIG. 9 is another perspective view showing the docking station being in another usage state with an attached environmental tablet.
The additional broken lines in FIG. 9 showing the attached tablet depict environmental structure and form no part of the claim, while all other broken lines depict portions of the docking station that form no part of the claimed design.

1 Claim, 9 Drawing Sheets

(56) **References Cited**

U.S. PATENT DOCUMENTS

- 5,436,792 A * 7/1995 Leman G06F 1/1632
16/326
- D508,916 S * 8/2005 Lee D14/434
- 6,952,343 B2 * 10/2005 Sato G06F 1/1632
361/679.57



(56)

References Cited

U.S. PATENT DOCUMENTS

D626,439 S * 11/2010 Lee D10/74
D636,777 S * 4/2011 Corsini D14/434
D636,778 S * 4/2011 Corsini D14/434
7,978,466 B2 * 7/2011 Lewandowski G06F 1/1632
361/679.41
D675,212 S * 1/2013 Chen D14/447
D710,861 S * 8/2014 Yagi D14/447
8,867,202 B2 * 10/2014 Williams G06F 1/1632
361/679.41
8,929,065 B2 * 1/2015 Williams G06F 1/1632
361/679.41
D724,091 S * 3/2015 Gelsomini D14/440
9,274,556 B2 * 3/2016 Gallouzi G06F 1/1632
D773,465 S * 12/2016 Palmer D14/434
D788,113 S * 5/2017 Watanabe D14/434
D860,998 S * 9/2019 Thiers D14/440
2005/0057896 A1 * 3/2005 Homer G06F 1/1632
361/679.35
2008/0270664 A1 * 10/2008 Carnevali G06F 1/1632
710/303
2009/0212189 A1 * 8/2009 Carnevali B25B 5/02
248/346.04

* cited by examiner

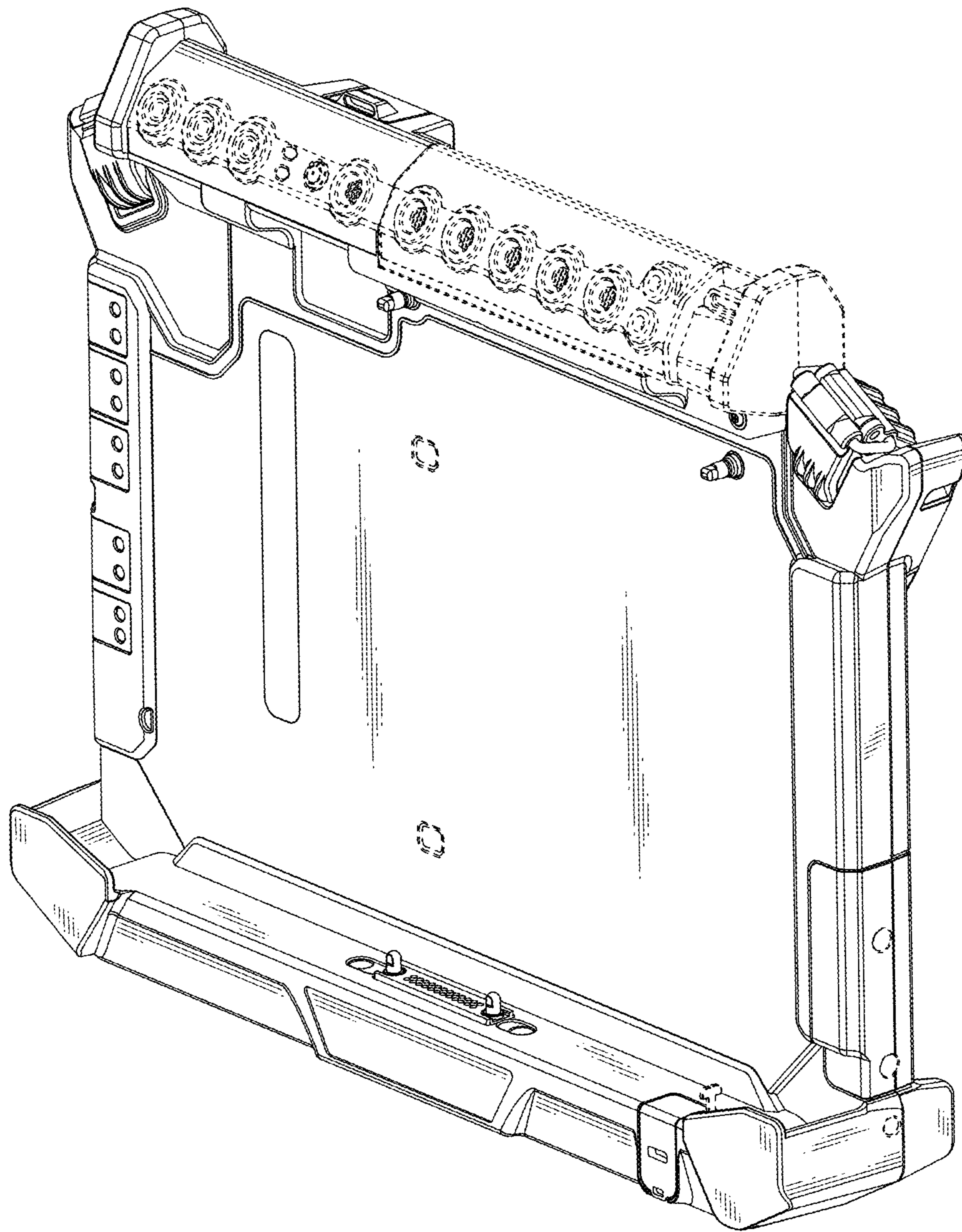


FIG. 1

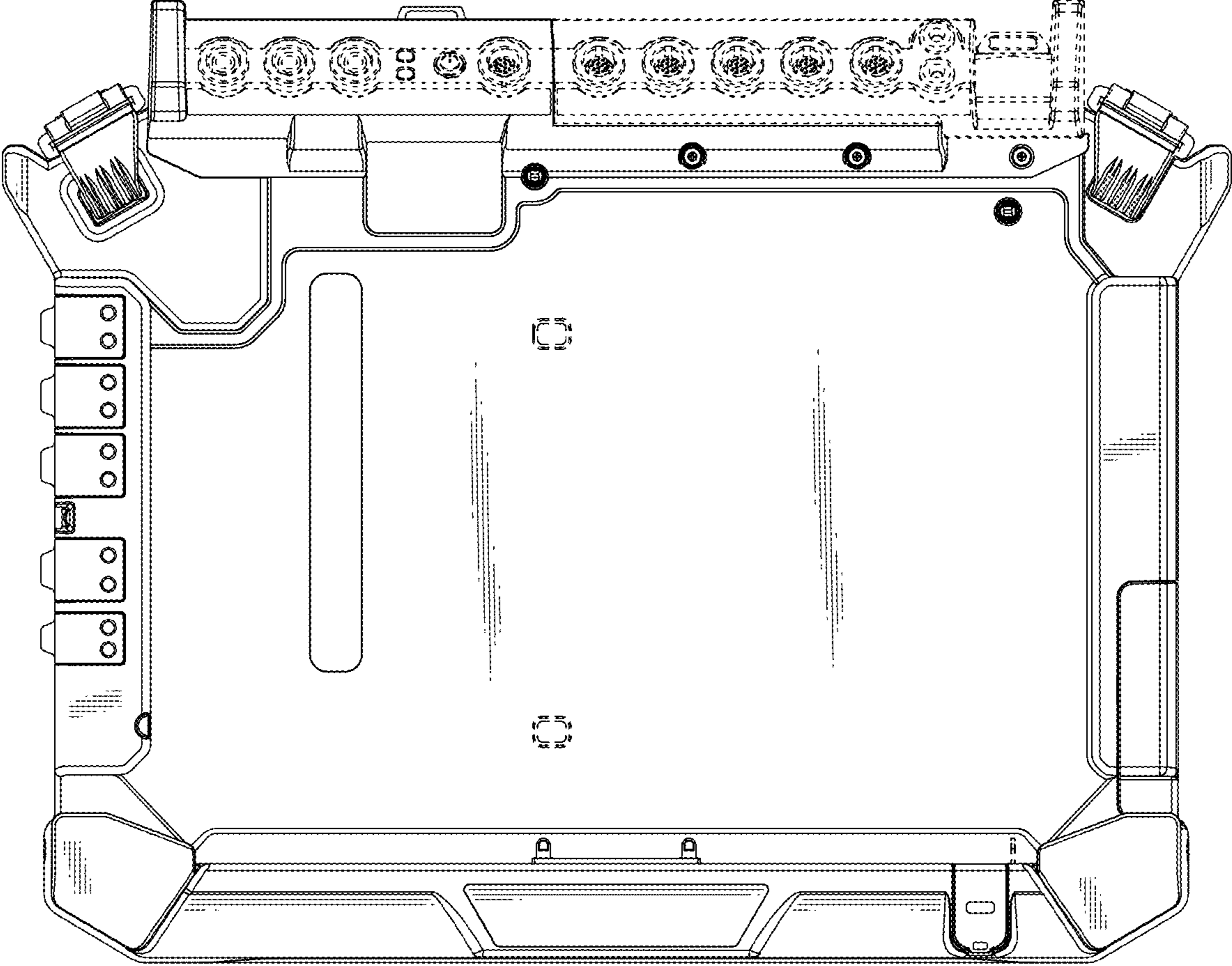


FIG. 2

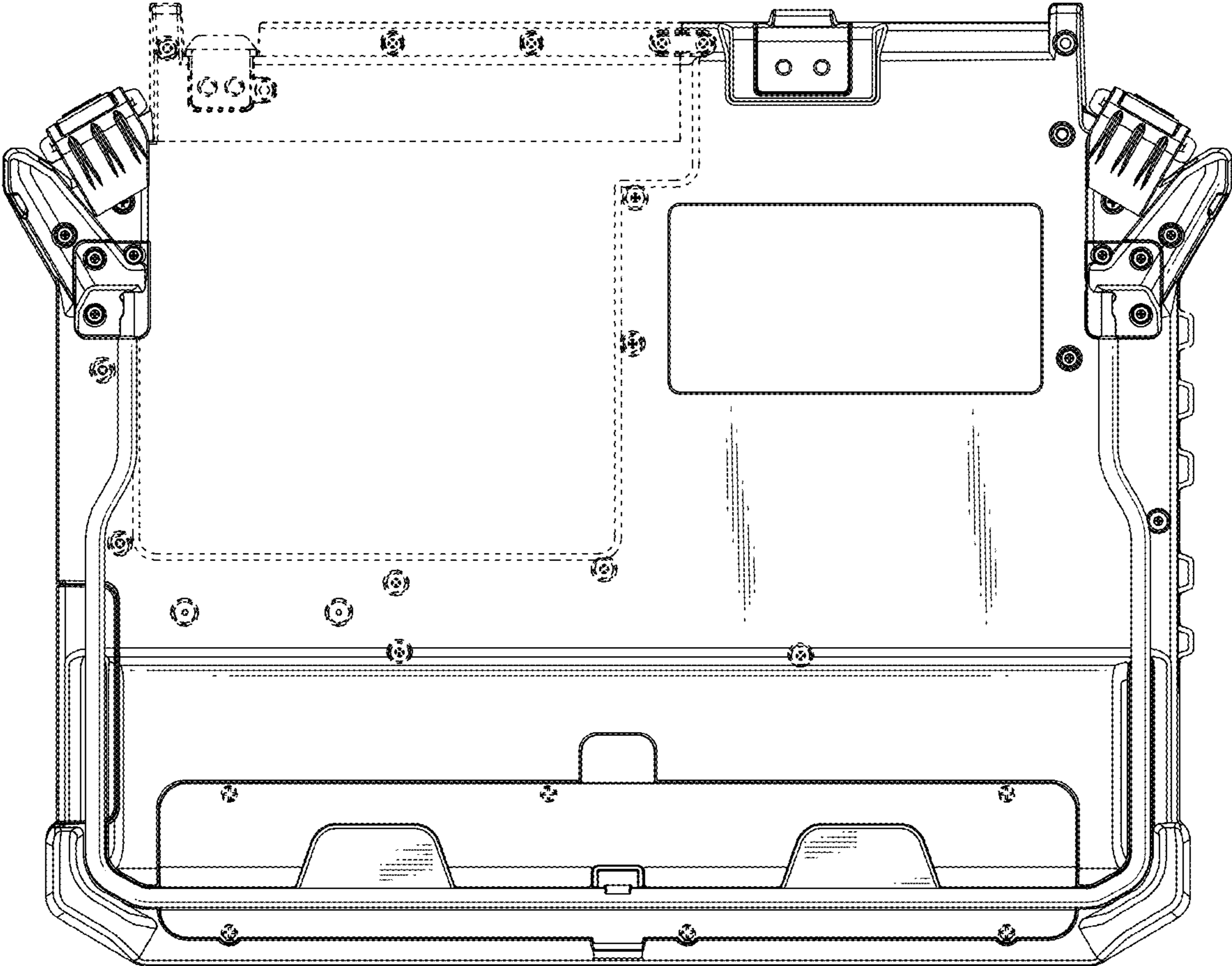


FIG. 3

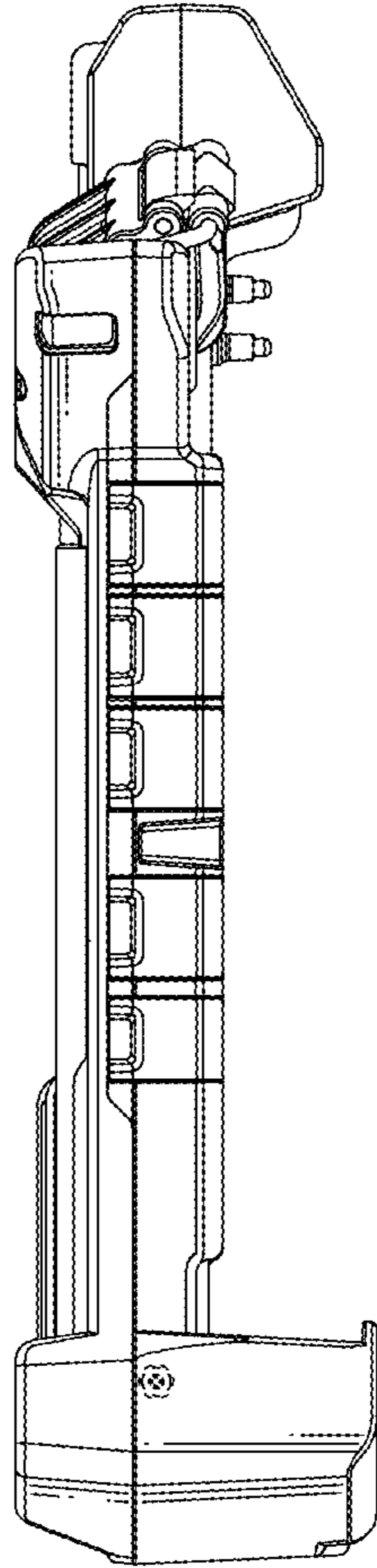


FIG. 4

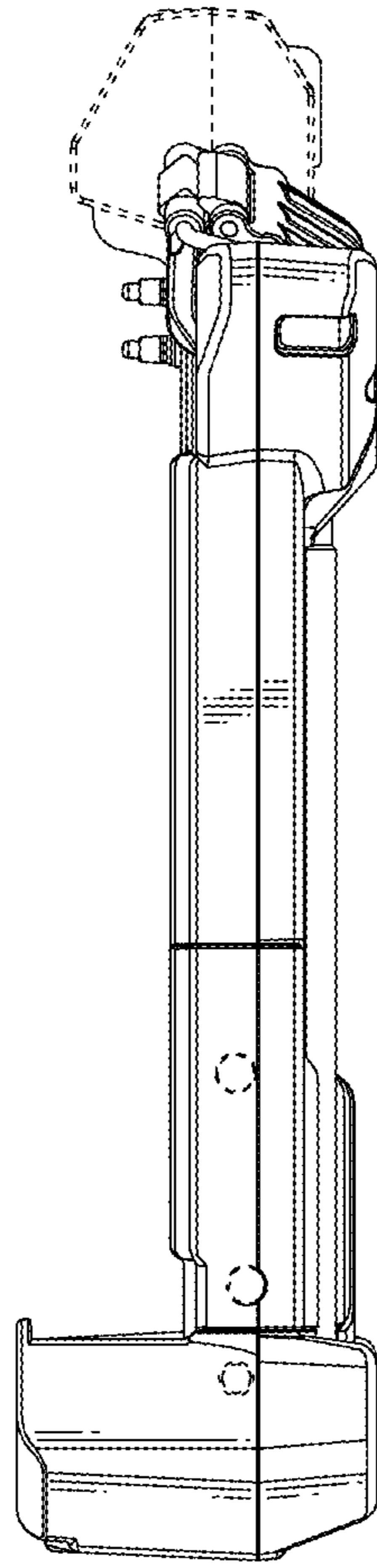


FIG. 5

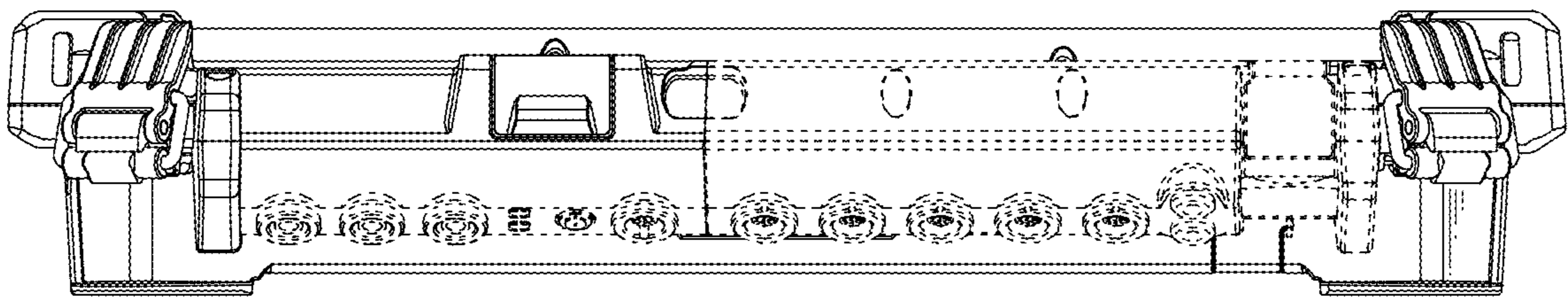


FIG. 6

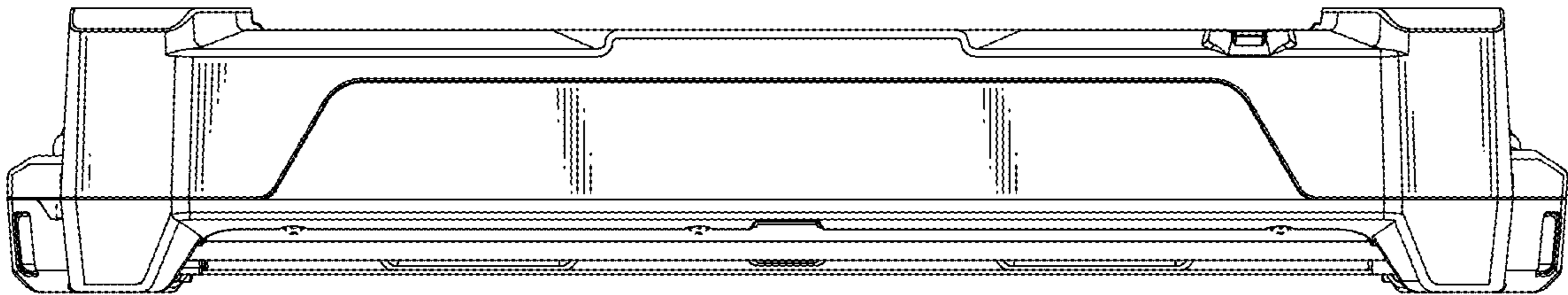


FIG. 7

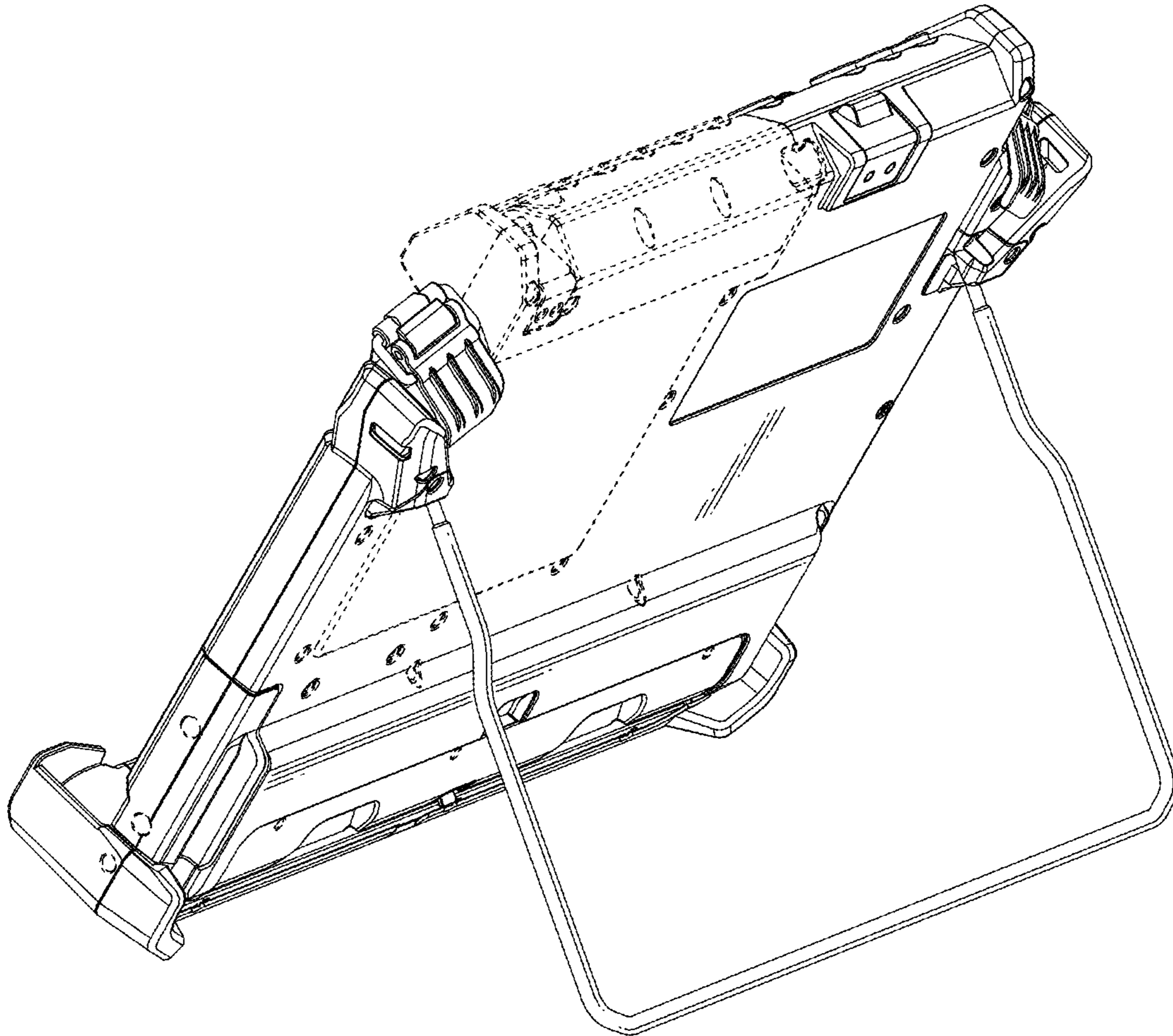


FIG. 8

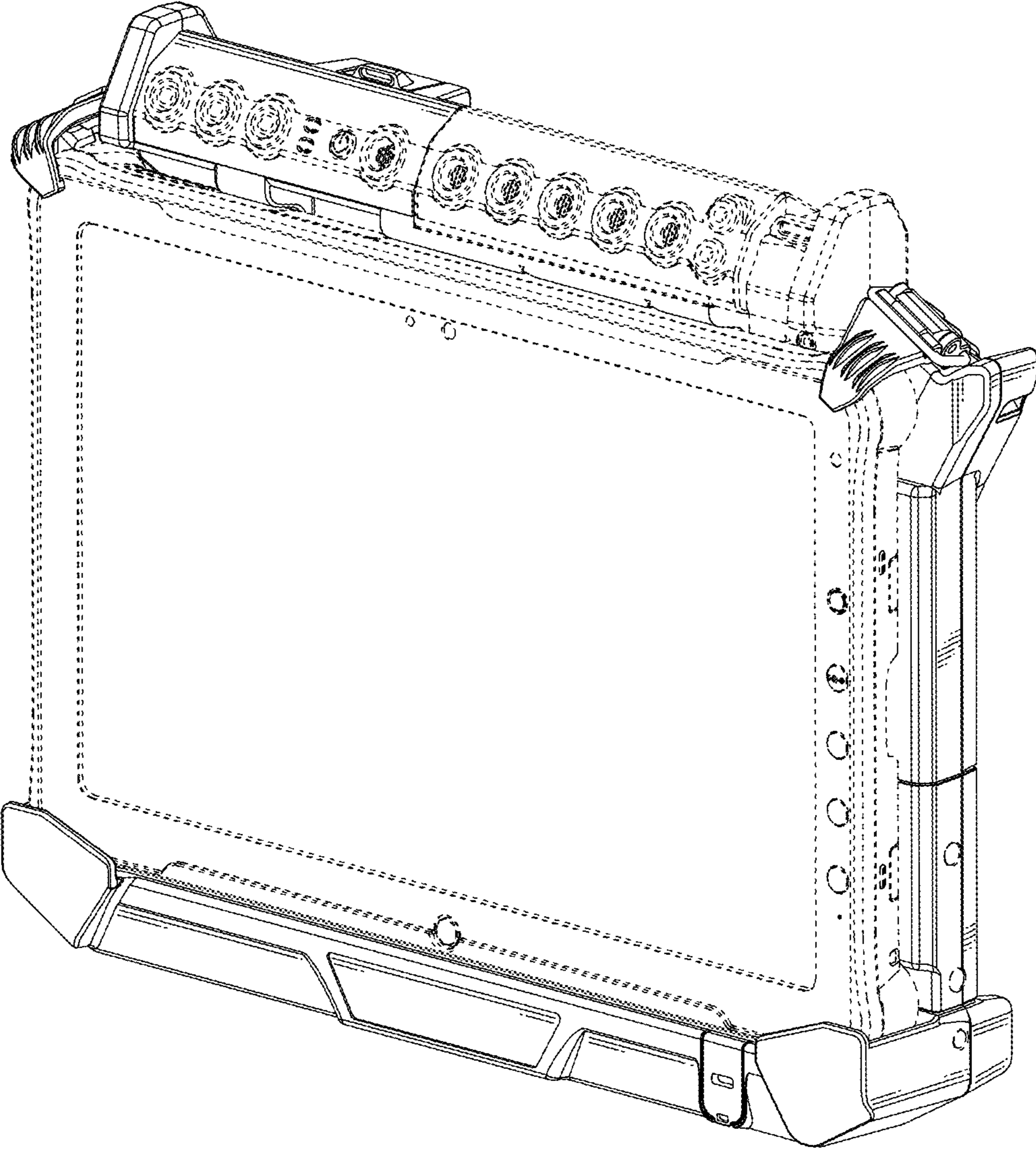


FIG. 9