



US00D886106S

(12) **United States Design Patent**
Wang

(10) **Patent No.:** **US D886,106 S**
(45) **Date of Patent:** **** Jun. 2, 2020**

- (54) **WIFI ROUTER WALL MOUNT**
- (71) Applicant: **Qin Wang**, Shenzhen (CN)
- (72) Inventor: **Qin Wang**, Shenzhen (CN)
- (**) Term: **15 Years**
- (21) Appl. No.: **29/725,321**
- (22) Filed: **Feb. 24, 2020**
- (51) **LOC (12) Cl.** **14-02**
- (52) **U.S. Cl.**
USPC **D14/433**
- (58) **Field of Classification Search**
USPC D14/356, 432-434, 453, 454, 511, 203.8,
D14/209.1, 238.1, 240, 125, 435.1;
439/638, 928, 105, 502; 710/303, 304,
710/305; 361/679.41, 679.55, 679.56;
D13/110, 133, 146, 108; 320/111
CPC G06K 19/005; G06K 19/07732; H05K
5/0278; G09F 23/10
See application file for complete search history.

(56) **References Cited**

U.S. PATENT DOCUMENTS

- D348,195 S 6/1994 Higgins
- D375,299 S * 11/1996 Fekete D14/433

- D757,011 S * 5/2016 Sakai D14/433
- D786,255 S * 5/2017 Kaminaga D14/433
- D786,875 S * 5/2017 Kaminaga D14/433
- D788,777 S * 6/2017 Bargetzi D14/433
- D793,399 S * 8/2017 Feldstein D14/433
- D838,274 S * 1/2019 Mittleman D14/433
- 10,264,170 B2 * 4/2019 Chien H04N 5/2257
- D849,006 S * 5/2019 Pang D14/433
- D865,768 S * 11/2019 Du D14/434

* cited by examiner

Primary Examiner — Austin Murphy
(74) *Attorney, Agent, or Firm* — ZanIP

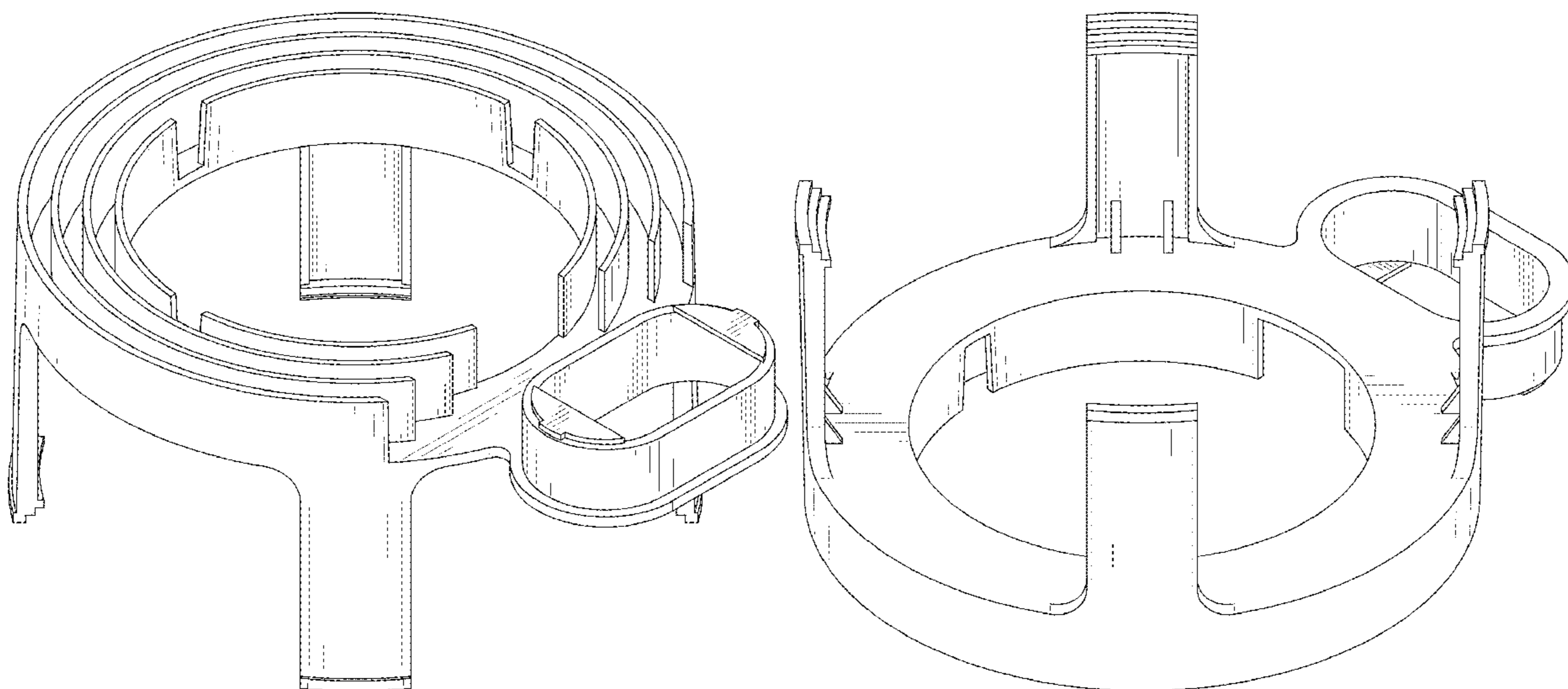
(57) **CLAIM**

The ornamental design for a wifi router wall mount, as shown and described.

DESCRIPTION

FIG. 1 is a front and top perspective view of a wifi router wall mount, showing my new design;
 FIG. 2 is a rear and bottom perspective view thereof;
 FIG. 3 is a front elevational view thereof;
 FIG. 4 is a rear elevational view thereof;
 FIG. 5 is a left side elevational view thereof;
 FIG. 6 is a right side elevational view thereof;
 FIG. 7 is a top plan view thereof; and,
 FIG. 8 is a bottom plan view thereof.

1 Claim, 8 Drawing Sheets



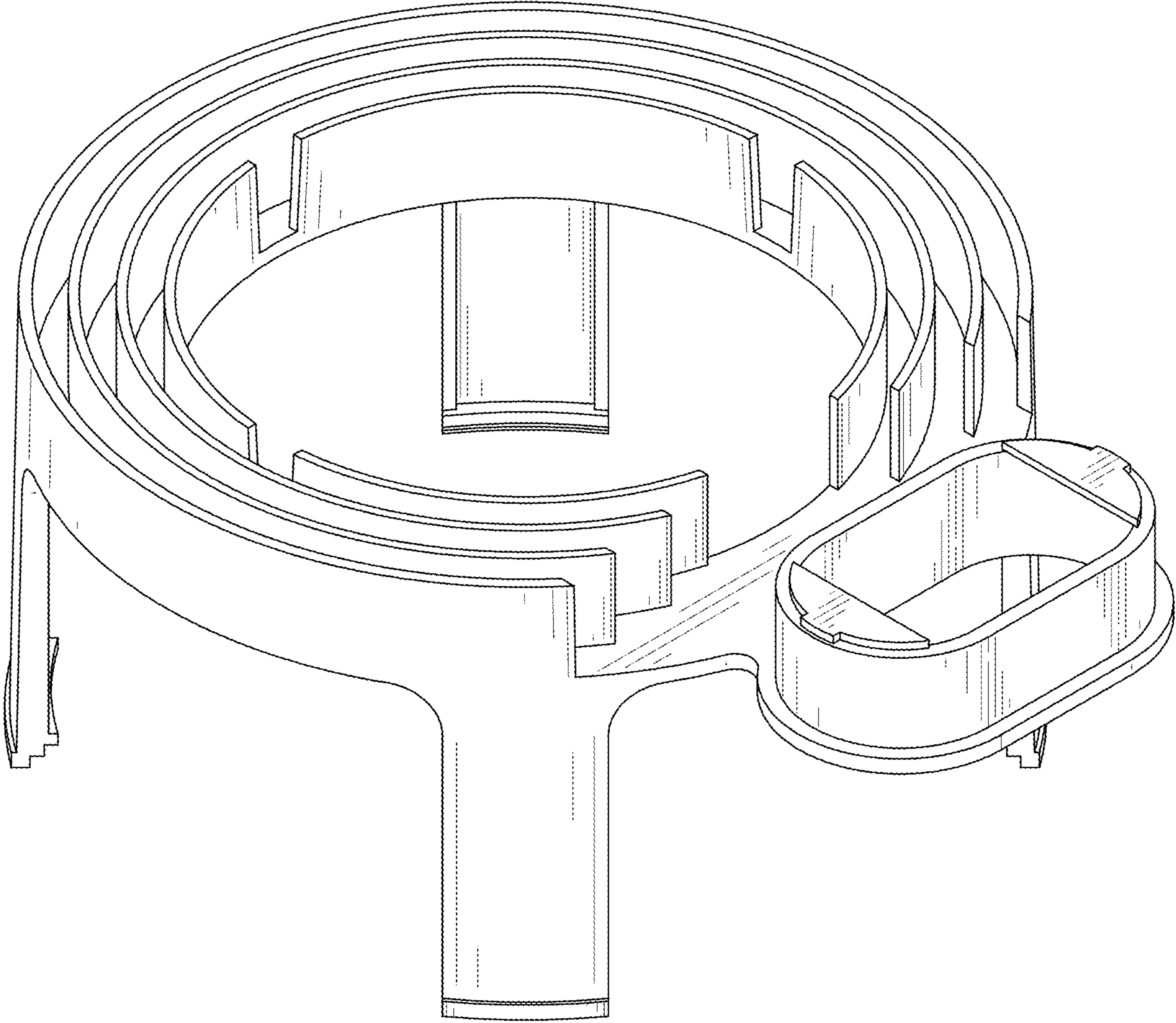


FIG. 1

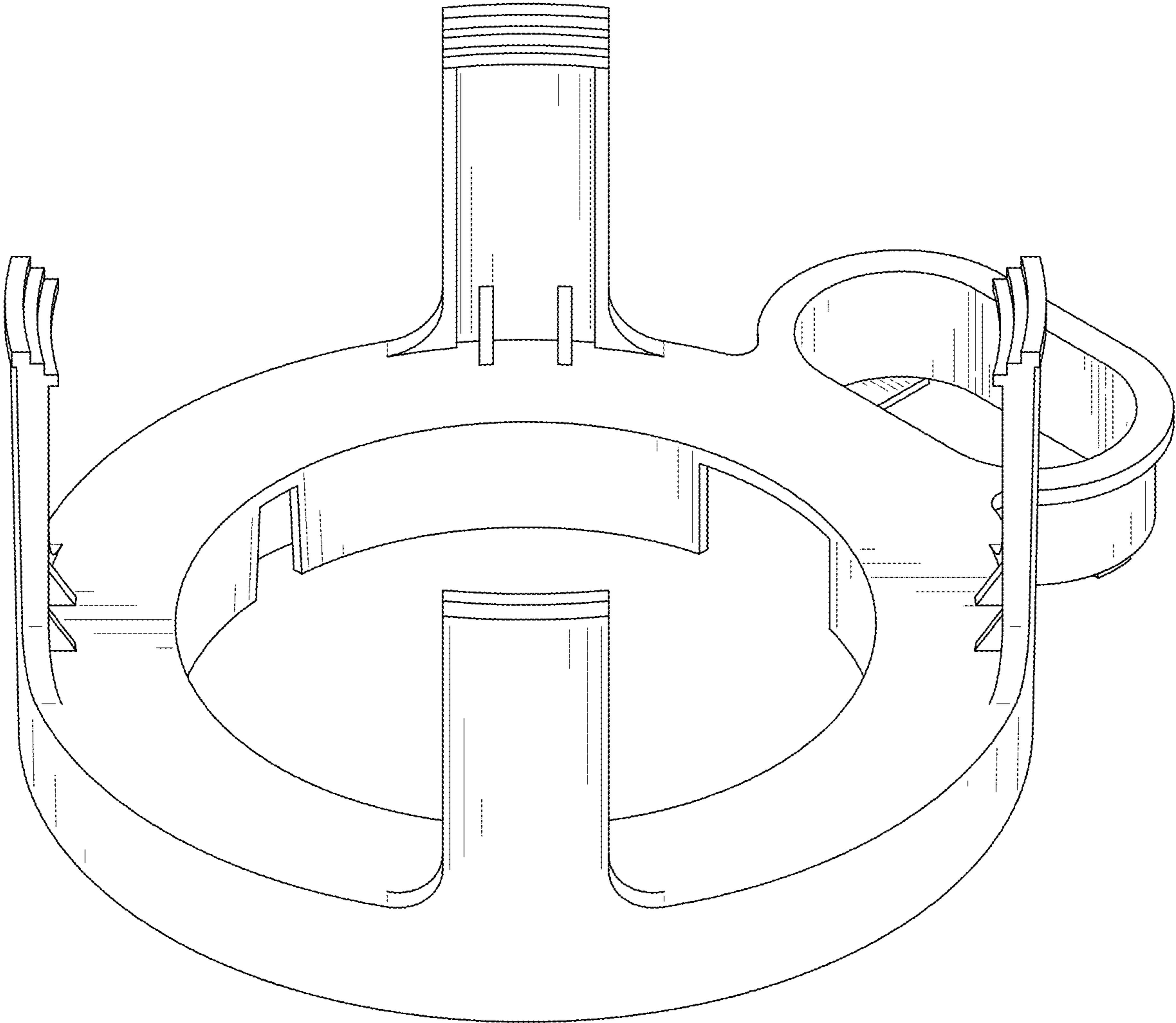


FIG. 2

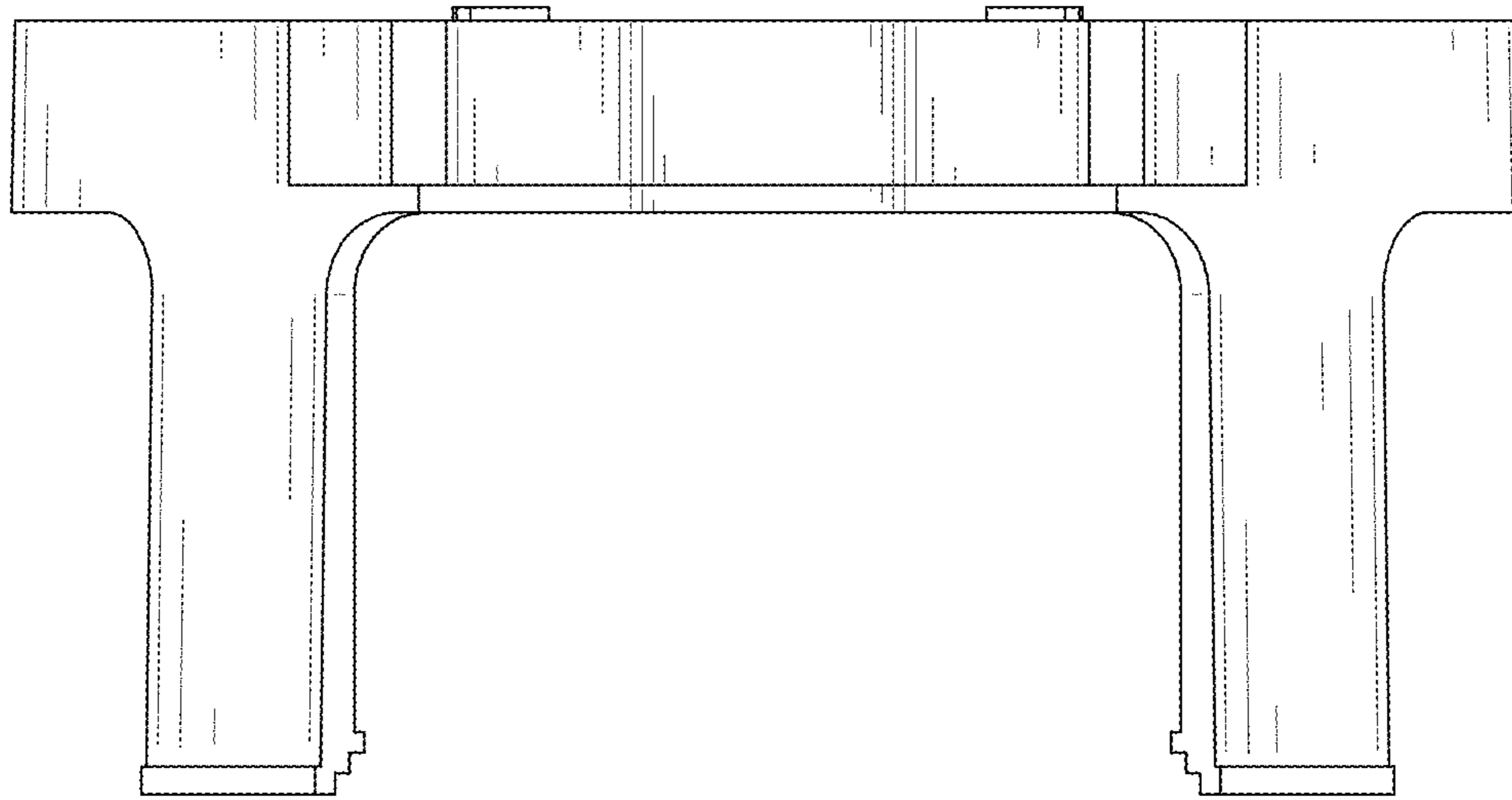


FIG. 3

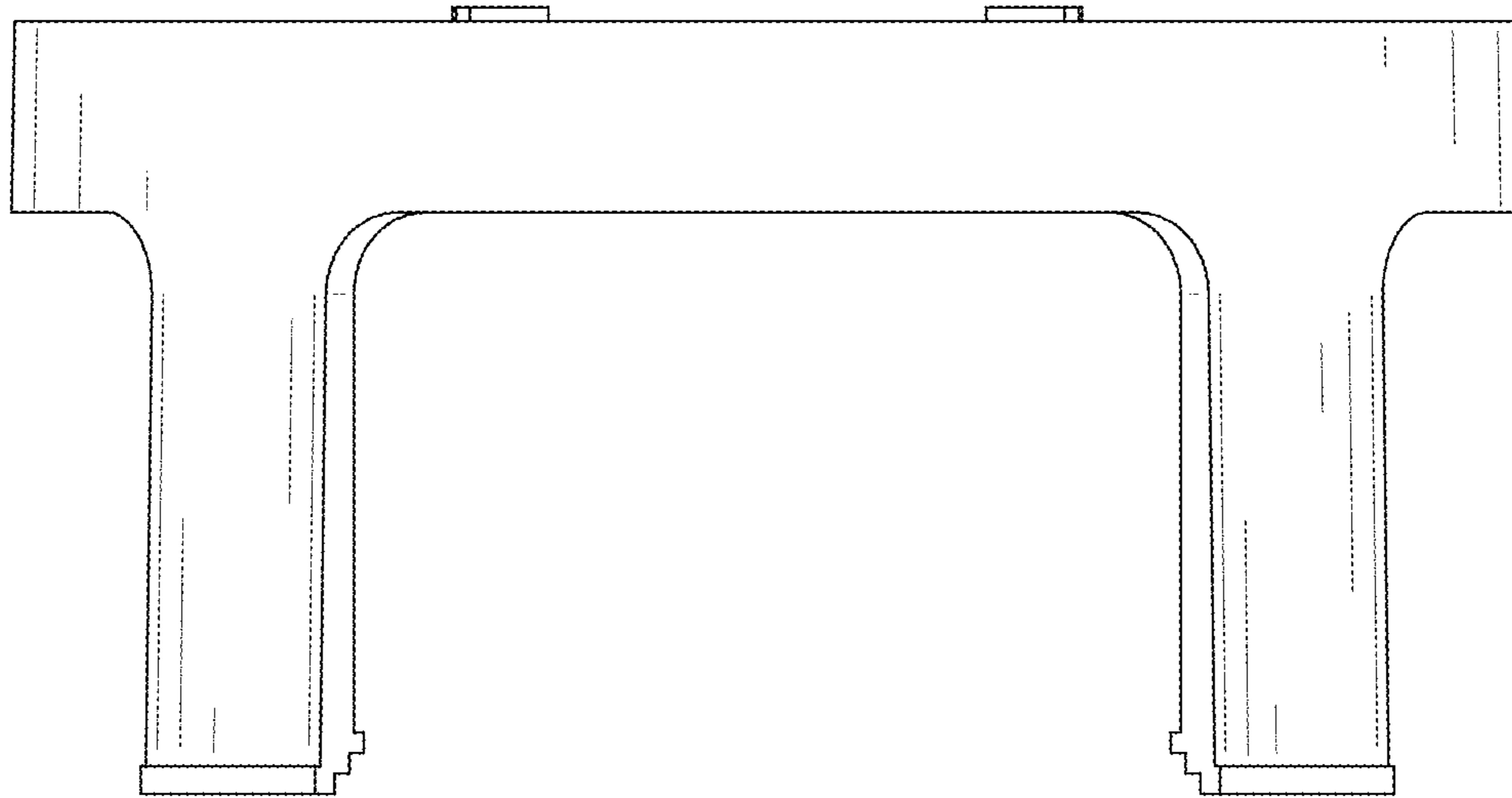


FIG. 4

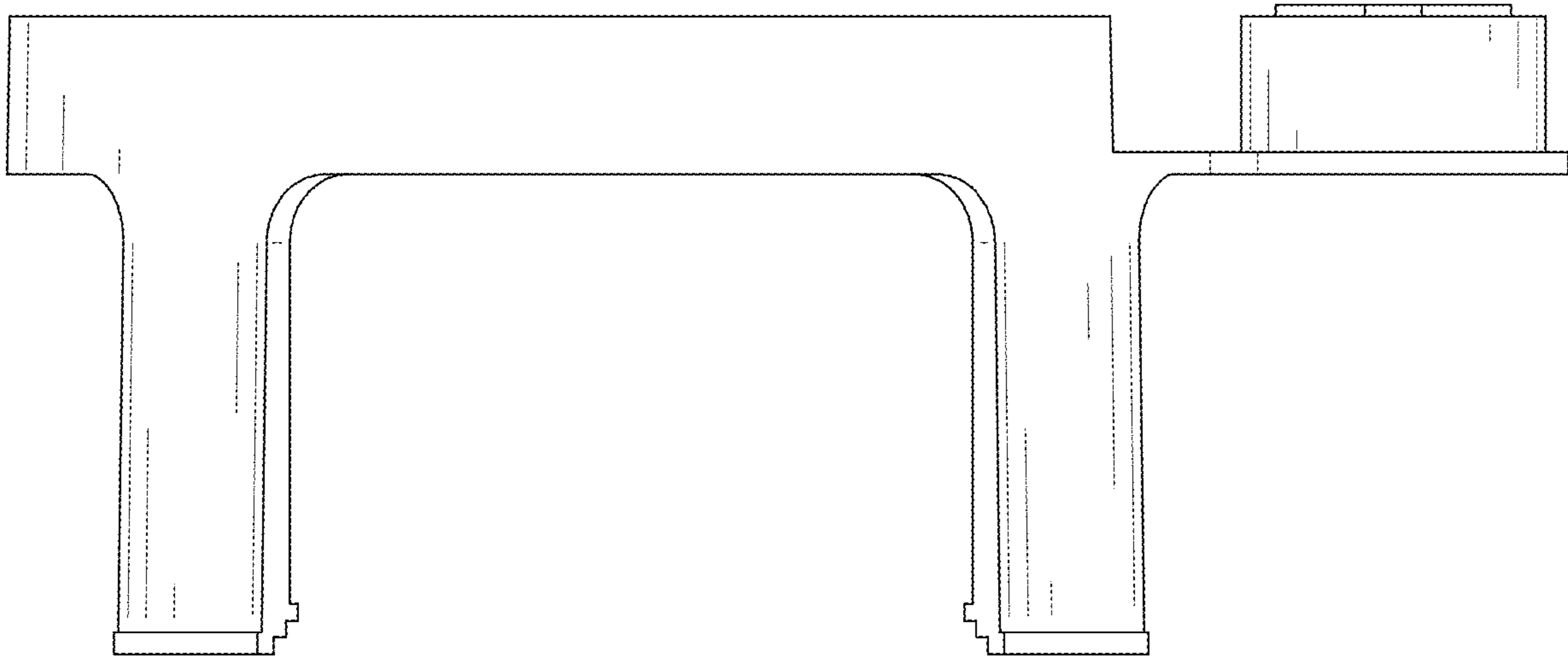


FIG. 5

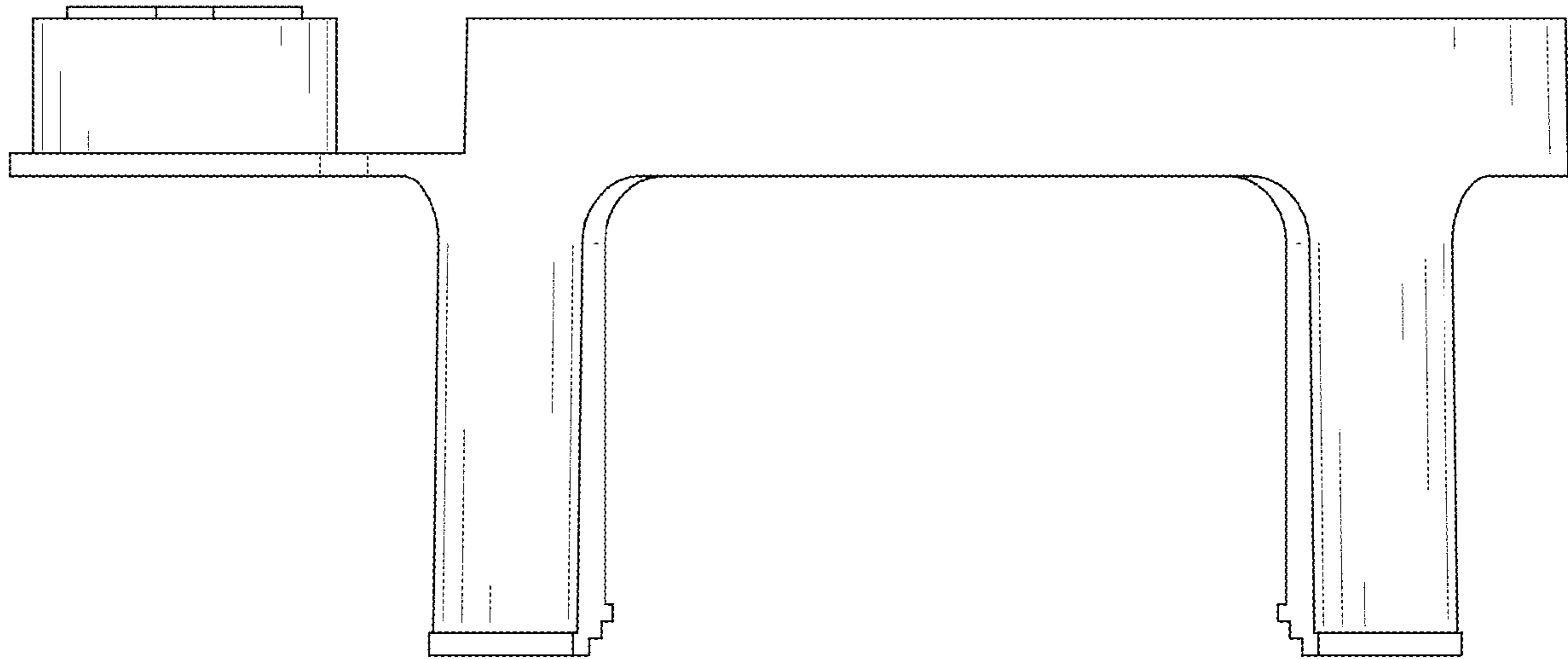


FIG. 6

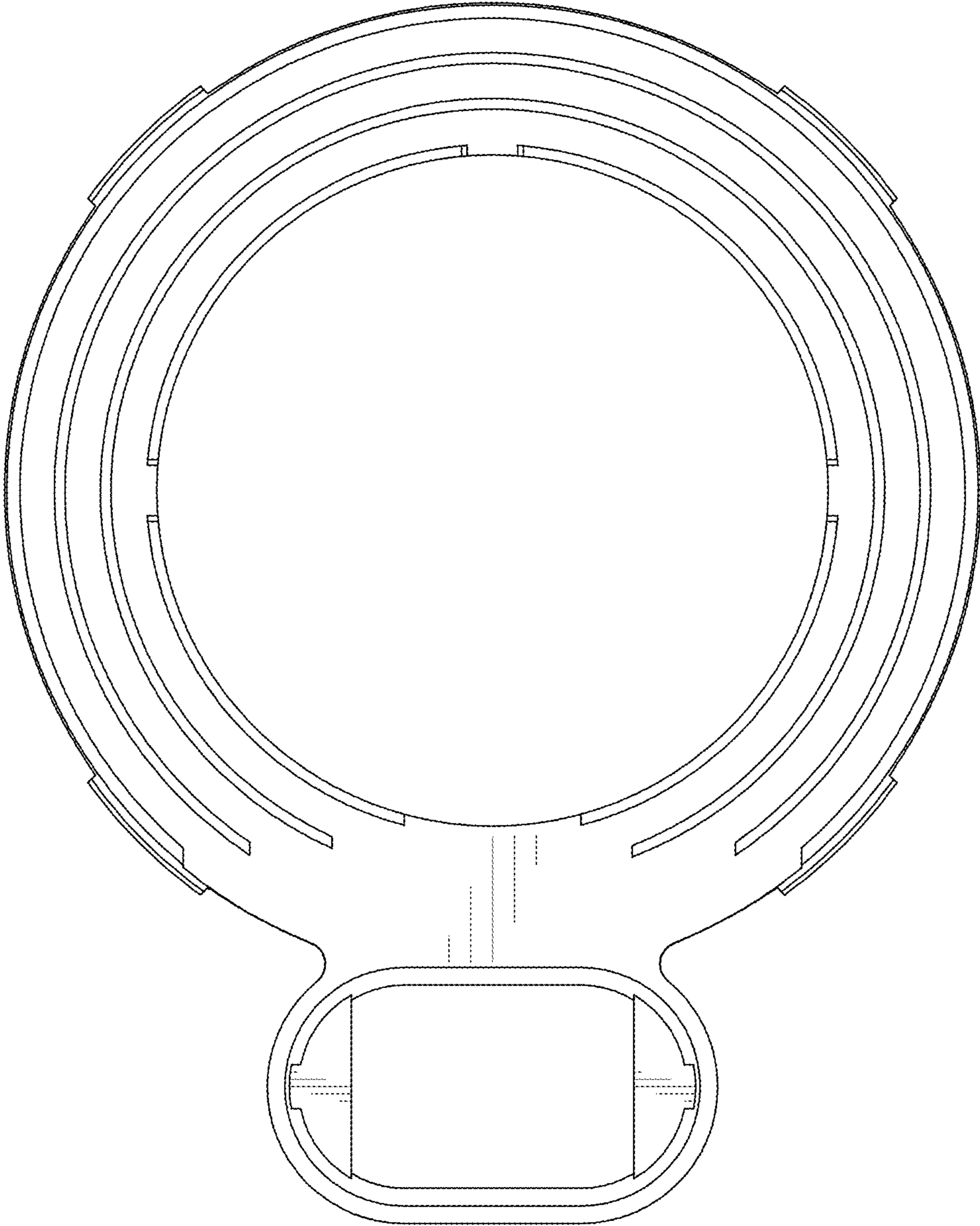


FIG. 7

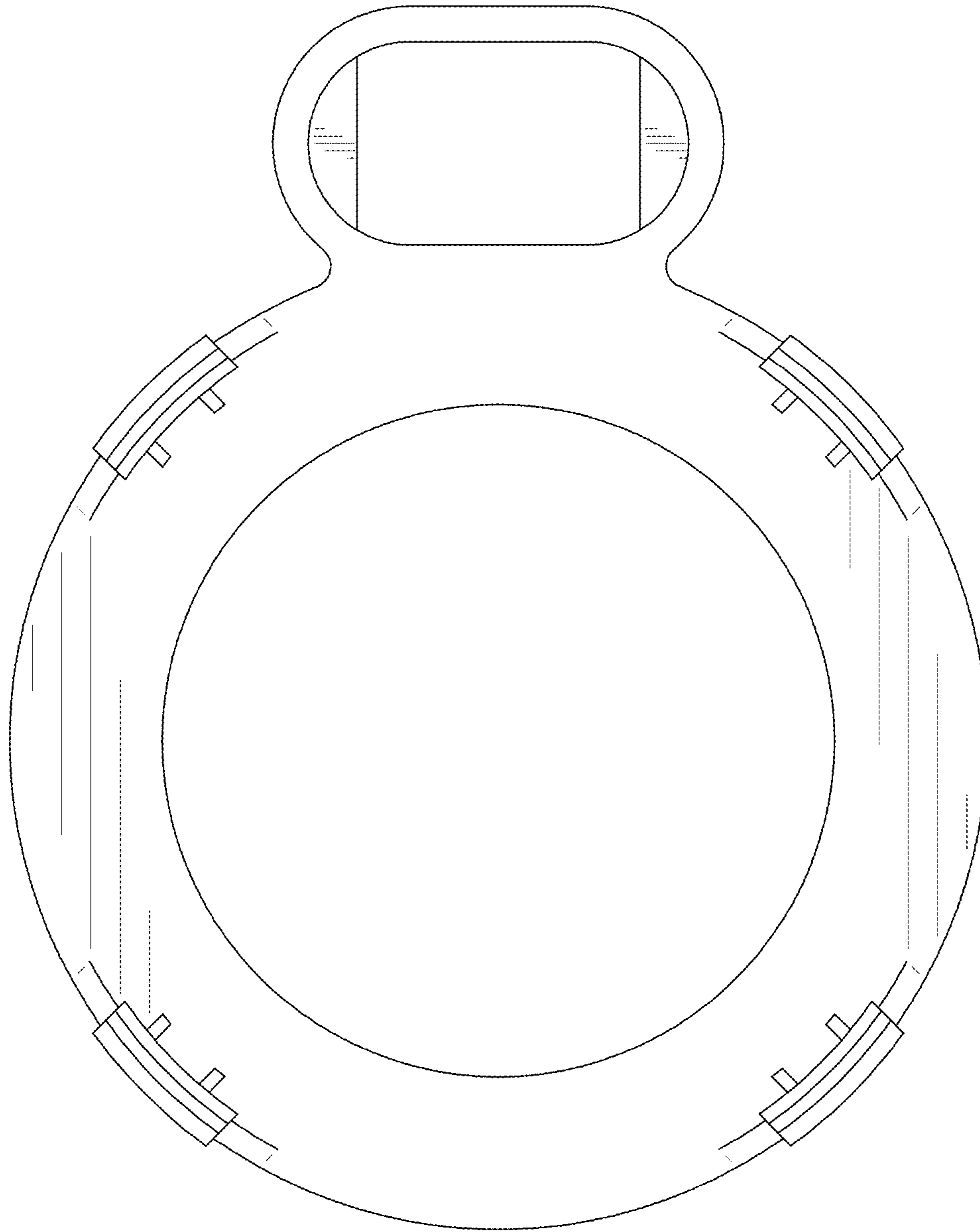


FIG. 8