



US00D886105S

(12) **United States Design Patent**
Duan

(10) **Patent No.:** **US D886,105 S**

(45) **Date of Patent:** **** Jun. 2, 2020**

(54) **DOUBLE USB-C COMBO HUB ADAPTER**

(71) Applicant: **Bo Duan**, Suining (CN)

(72) Inventor: **Bo Duan**, Suining (CN)

(**) Term: **15 Years**

(21) Appl. No.: **29/661,552**

(22) Filed: **Aug. 28, 2018**

(51) **LOC (12) Cl.** **14-99**

(52) **U.S. Cl.**
USPC **D14/433**

(58) **Field of Classification Search**
USPC D14/240, 242, 356, 357, 358, 378, 383,
D14/384, 385, 386, 433, 434, 435.1,
D14/480.1, 480.4, 480.5; D13/103, 107,
D13/108, 110, 146; D18/12, 12.1, 12.3
CPC ... H01R 25/003; H01R 25/006; H01R 27/02;
H01R 31/005; H01R 13/60; H01R
13/6658; H01R 13/72; G06F 1/1607;
G06F 1/1632; G06F 1/1684; G06F
13/382; G06F 13/4022
See application file for complete search history.

(56) **References Cited**

U.S. PATENT DOCUMENTS

D692,024 S *	10/2013	Seong	D14/496
D788,112 S *	5/2017	Liao	D14/433
D807,290 S *	1/2018	Liao	D13/110
D813,875 S *	3/2018	Liao	D14/434
D828,839 S *	9/2018	Zhang	D14/433
D828,841 S *	9/2018	Zhang	D14/433
D830,366 S *	10/2018	Turksu	D14/433
D844,618 S *	4/2019	Liao	D14/434
D853,396 S *	7/2019	Kong	D14/434
D854,544 S *	7/2019	Liao	D14/434
D855,054 S *	7/2019	Turksu	D14/433
D855,616 S *	8/2019	Chin	D14/433
D862,385 S *	10/2019	Turksu	D13/108
D862,473 S *	10/2019	Liu	D14/433
D864,205 S *	10/2019	Wang	D14/433

D864,208 S *	10/2019	Duan	D14/433
D864,209 S *	10/2019	Wang	D14/434
D864,964 S *	10/2019	Lyu	D14/433
D864,966 S *	10/2019	Sang	D14/434
D866,557 S *	11/2019	Xiong	D14/433
D876,439 S *	2/2020	Turksu	D14/433
D878,373 S *	3/2020	Zhang	D14/433
2003/0148656 A1 *	8/2003	Huang	H01R 13/6658 439/501
2006/0085584 A1 *	4/2006	Chen	G06F 1/1632 710/303

OTHER PUBLICATIONS

“Have a MacBook Pro? Check out these insane deals on HomeSpot USB-C hubs!,” HomeSpot Dual USB-C in Thunderbolt 3 Hub pictured therein, online, post date Nov. 23, 2017, URL: <https://www.appleworld.today/blog/2017/11/23/have-a-macbook-pro-check-out-these-insane-deals-on-homespot-usb-c-hubs> , retrieved Dec. 5, 2019.*

* cited by examiner

Primary Examiner — Jeffrey D Asch
Assistant Examiner — Rebekah A Caruso
(74) *Attorney, Agent, or Firm* — Erson IP (Nelson IP)

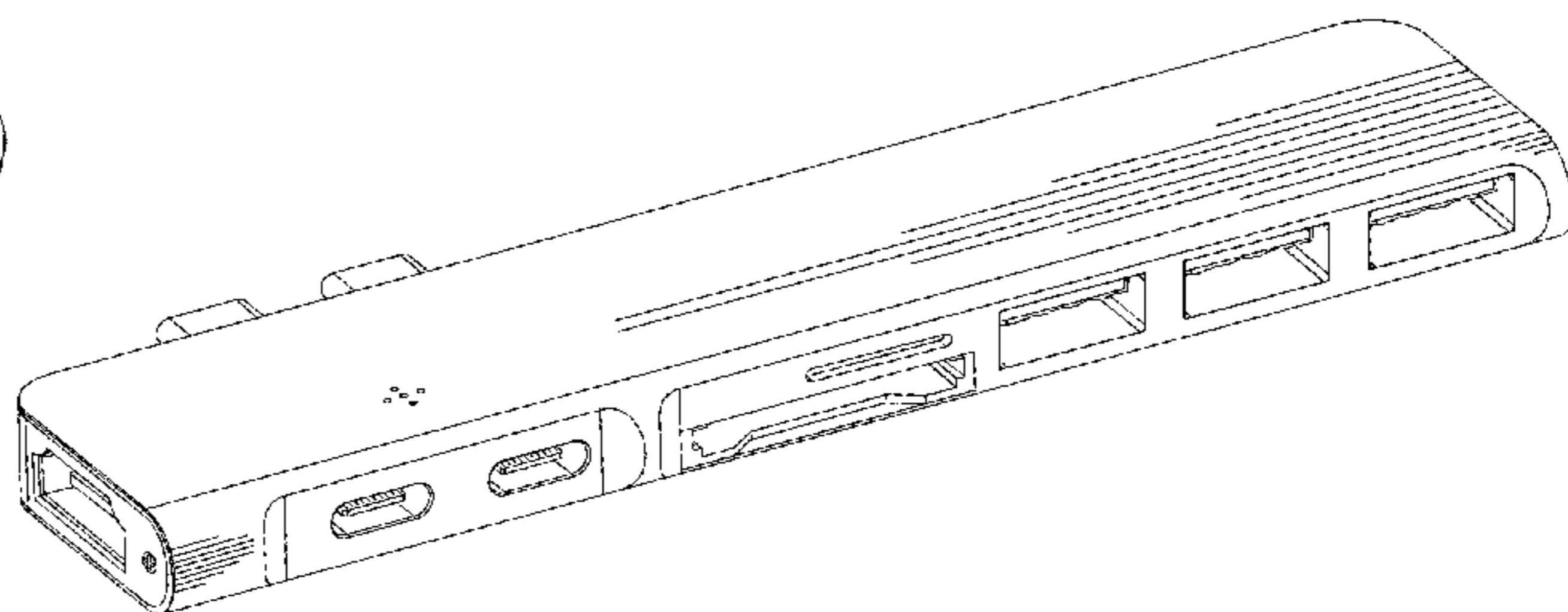
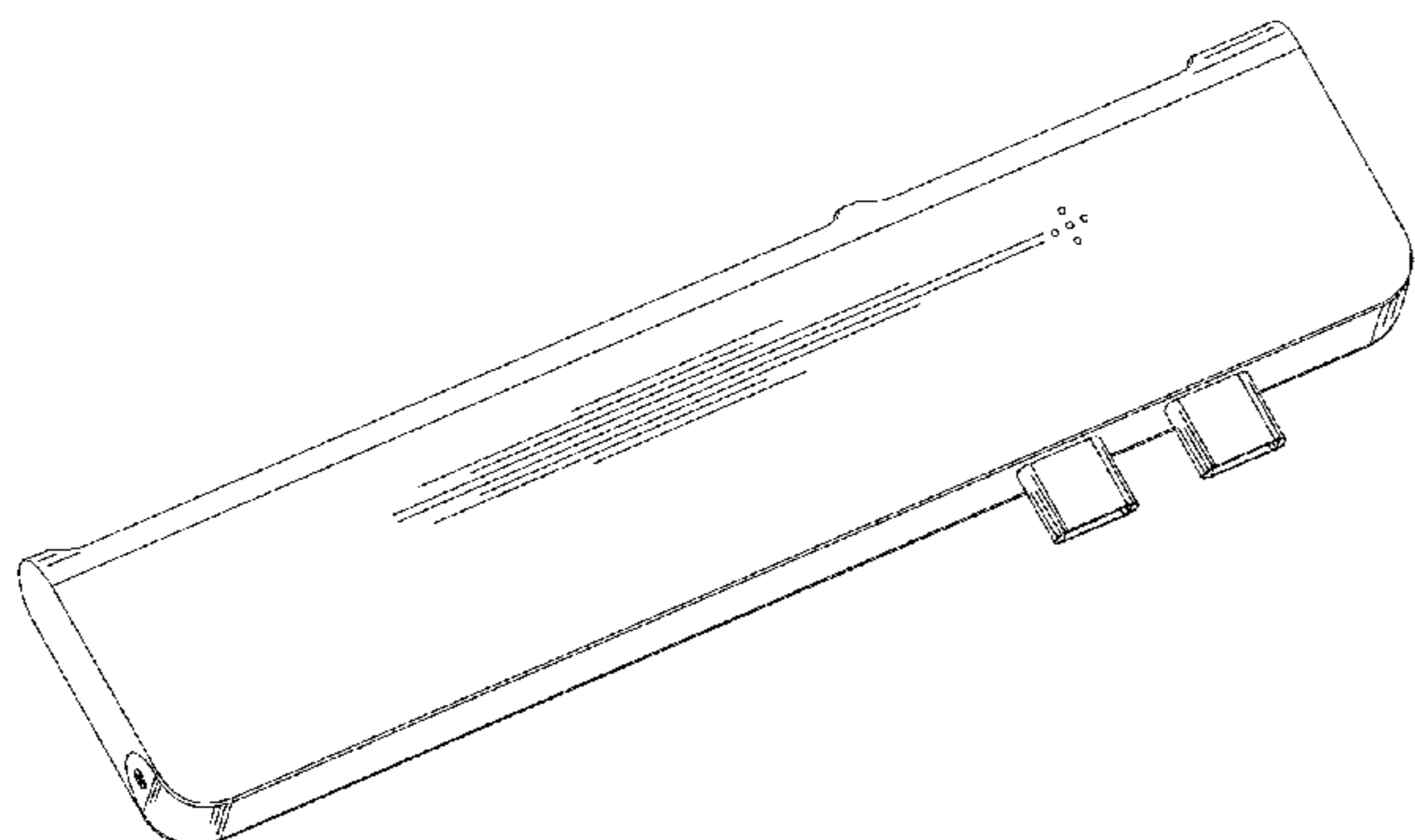
(57) **CLAIM**

The ornamental design for a double USB-C combo hub adapter, as shown and described.

DESCRIPTION

FIG. 1 is a perspective view of a double USB-C combo hub adapter showing my new design;
FIG. 2 is another perspective view thereof;
FIG. 3 is a front view thereof;
FIG. 4 is a rear view thereof;
FIG. 5 is a left side view thereof;
FIG. 6 is a right side view thereof;
FIG. 7 is a top plan view thereof; and,
FIG. 8 is a bottom plan view thereof.

1 Claim, 8 Drawing Sheets



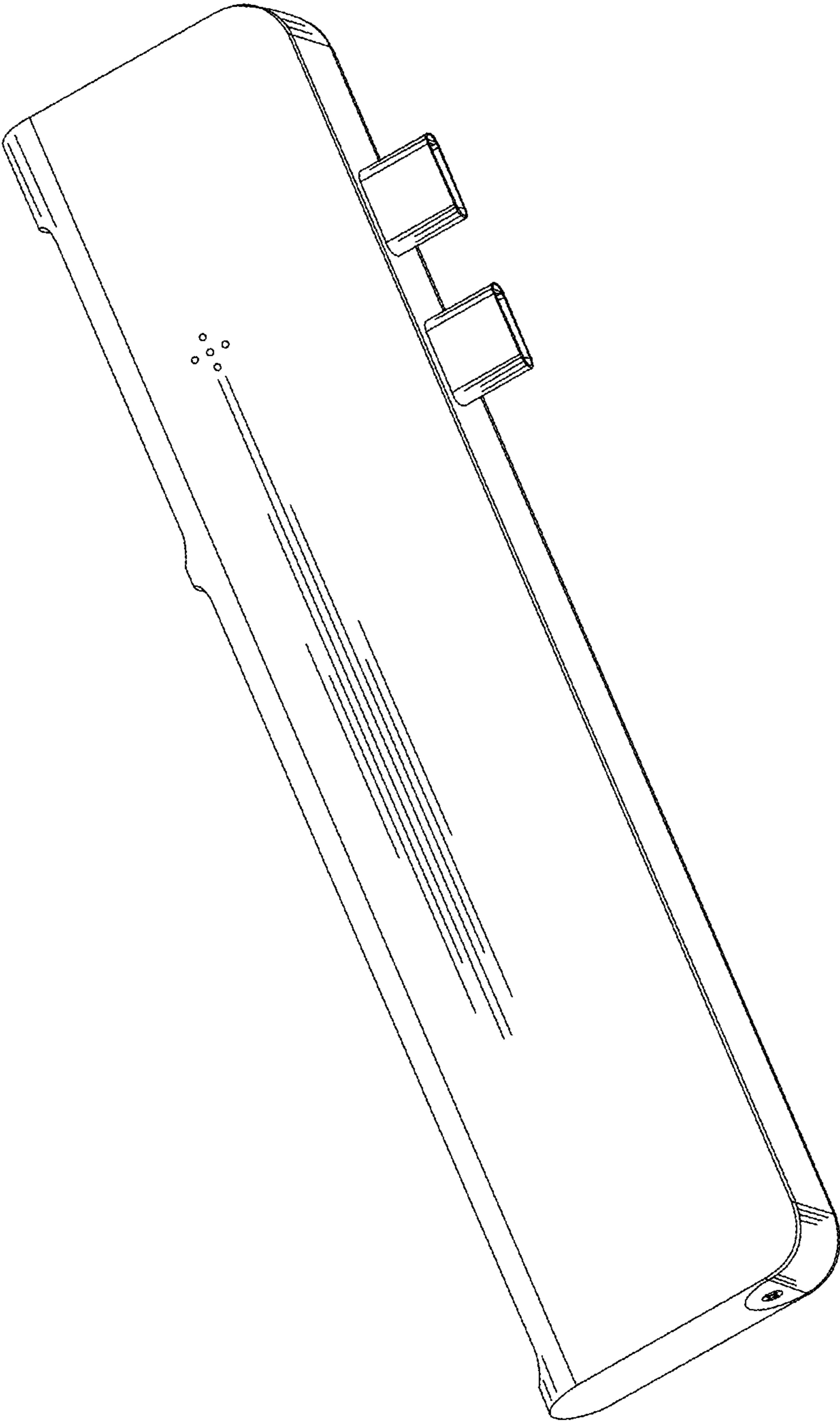


FIG. 1

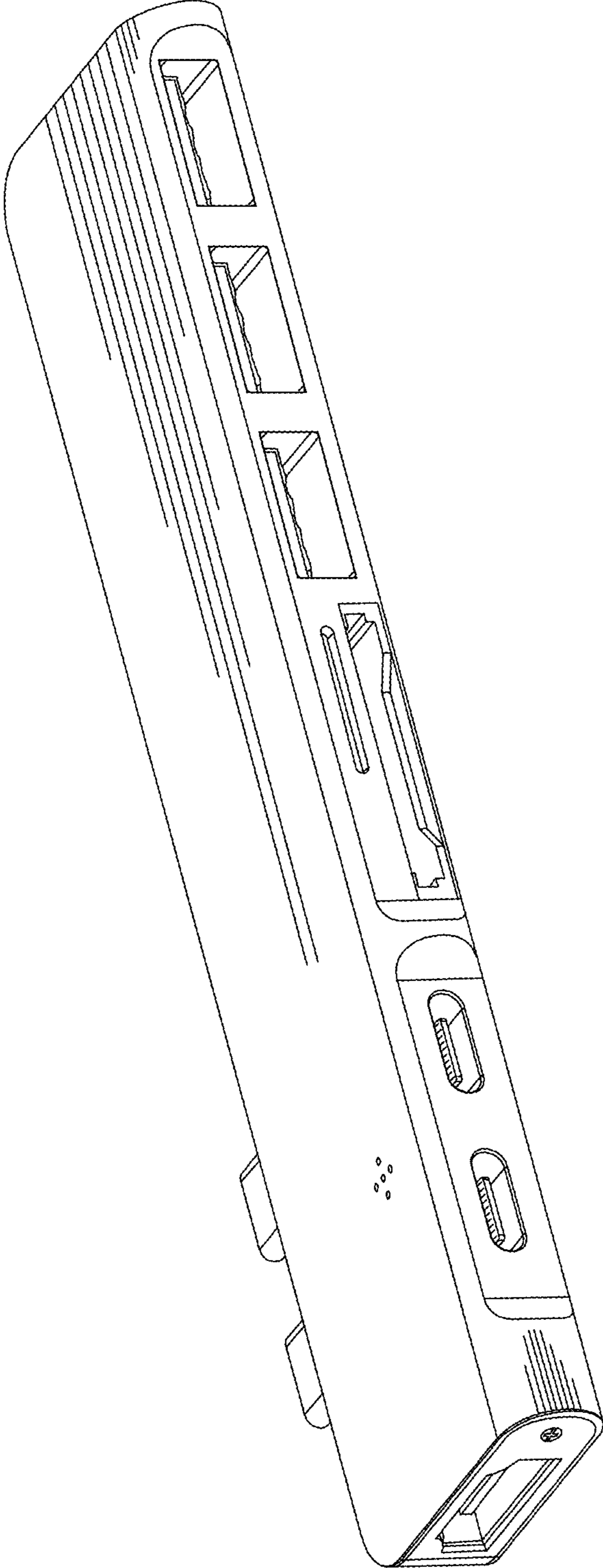


FIG. 2

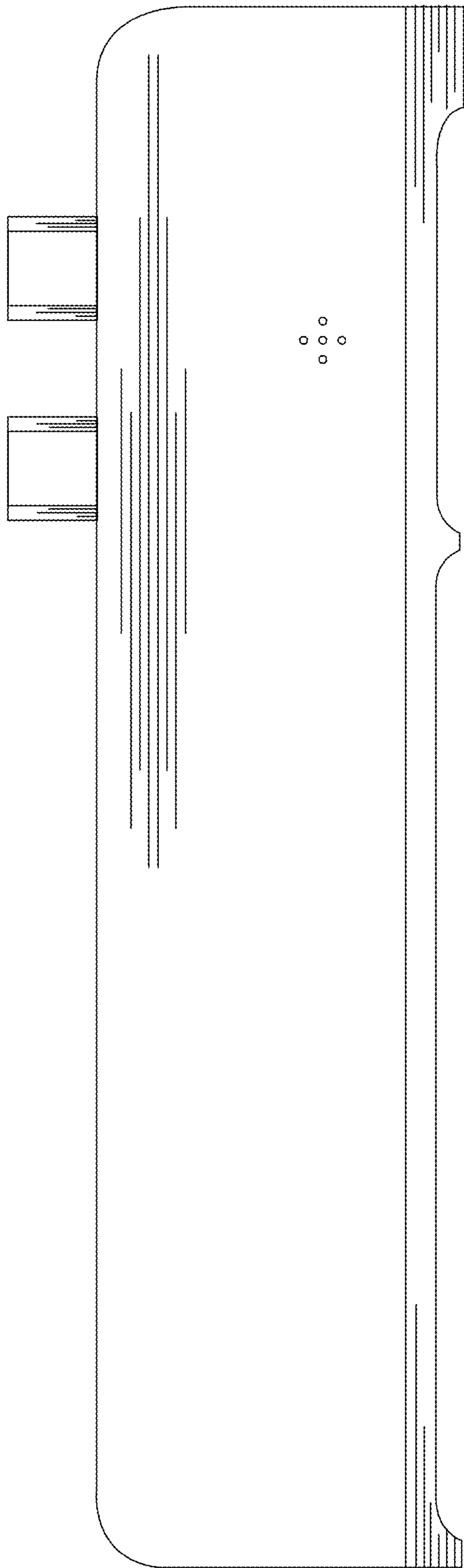


FIG. 3

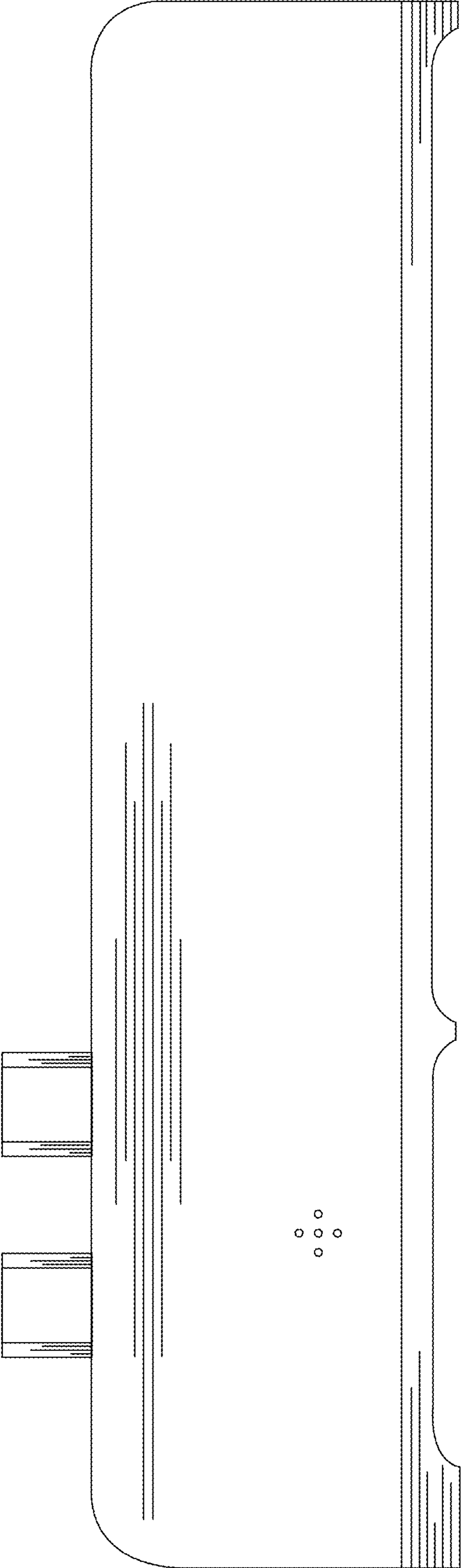


FIG. 4

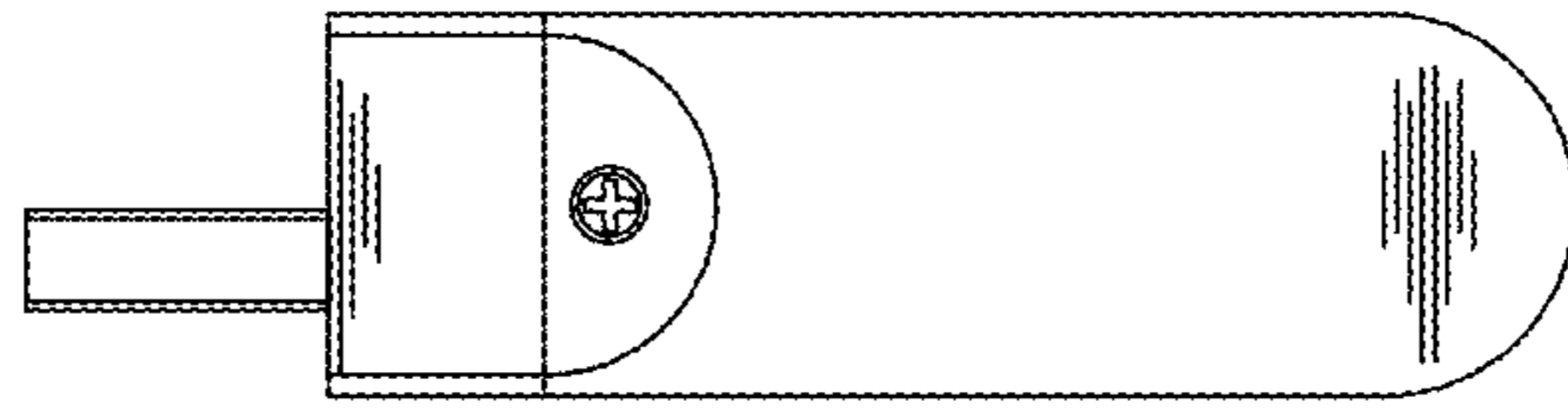


FIG. 5

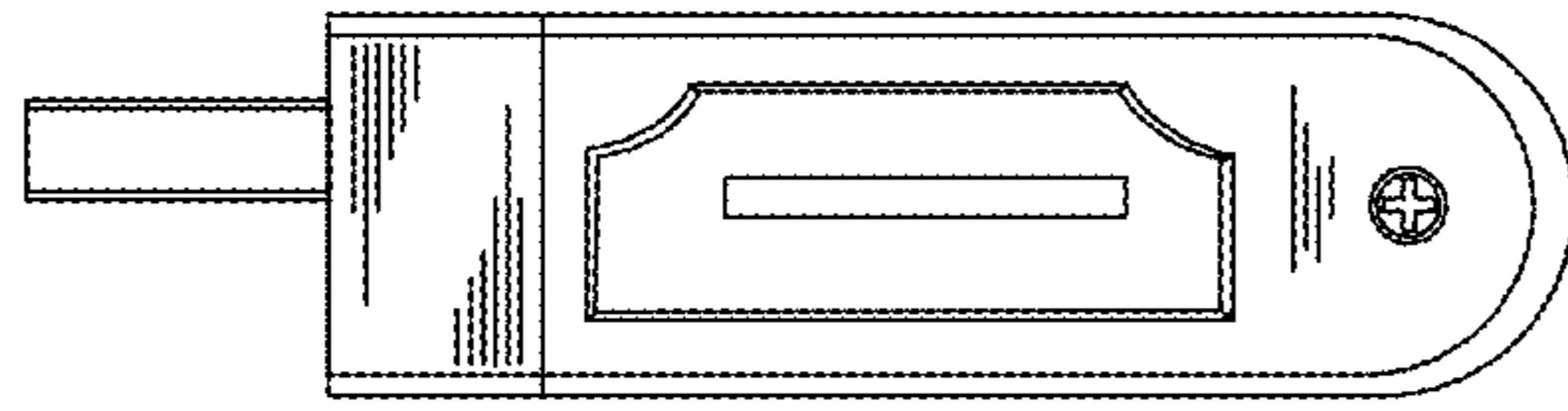


FIG. 6



FIG. 7

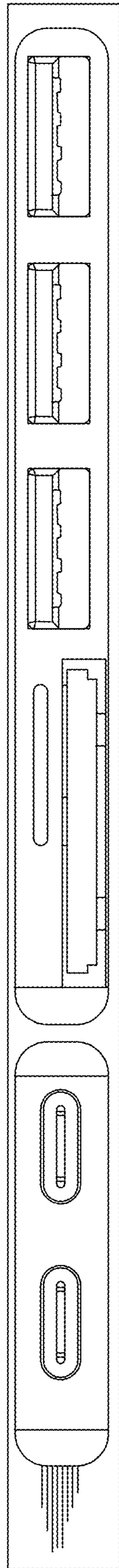


FIG. 8