



US00D886102S

(12) **United States Design Patent**
Okajima et al.

(10) **Patent No.:** **US D886,102 S**
(45) **Date of Patent:** **** Jun. 2, 2020**

(54) **DATA TRANSMISSION DEVICE**
(71) Applicant: **CKD CORPORATION**, Komaki-shi,
Aichi (JP)
(72) Inventors: **Naoki Okajima**, Komaki (JP); **Hiroaki**
Banno, Komaki (JP); **Sho Honda**,
Komaki (JP); **Atsushi Fukuta**, Komaki
(JP); **Mitsuhiro Kosugi**, Komaki (JP);
Hisashi Hatano, Komaki (JP)
(73) Assignee: **CKD CORPORATION**, Aichi (JP)
(**) Term: **15 Years**

D563,882 S * 3/2008 Howerton D13/147
D669,073 S * 10/2012 Wu D14/240
D725,098 S * 3/2015 Neumann D10/78
D725,099 S * 3/2015 Neumann D10/78
D751,987 S * 3/2016 Ravi D13/123
D753,796 S * 4/2016 Suematsu D23/233
D753,797 S * 4/2016 Suematsu D23/233
D753,798 S * 4/2016 Suematsu D23/233
D780,295 S * 2/2017 Fujita D23/233
D798,612 S * 3/2017 Fujita D23/233
D798,822 S * 10/2017 Jiang D13/147
D802,582 S * 11/2017 Krivonak D14/308
D809,492 S * 2/2018 Moon D14/240
D810,078 S * 2/2018 Kikuchi D14/358
D825,472 S * 8/2018 Yamanaka D13/147

(Continued)

(21) Appl. No.: **29/648,842**
(22) Filed: **May 24, 2018**

Primary Examiner — Michael C Stout
Assistant Examiner — Fritzgerald L Butac
(74) *Attorney, Agent, or Firm* — Cantor Colburn LLP

(30) **Foreign Application Priority Data**

Nov. 28, 2017 (JP) 2017-026383

(51) **LOC (12) Cl.** **14-02**

(52) **U.S. Cl.**
USPC **D14/358**

(58) **Field of Classification Search**
USPC D13/146, 147, 151, 154, 159, 182, 184,
D13/199; D14/299, 300, 348, 356, 433,
D14/438, 439, 474, 480.1, 483, 484.1,
D14/489, 490, 492, 496, 511, 358;
D15/138
CPC G08C 15/00; H04B 1/38; H04B 1/3827;
H04W 72/02; H04W 88/02; H04W 92/18
See application file for complete search history.

(56) **References Cited**

U.S. PATENT DOCUMENTS

D562,247 S * 2/2008 Matsuzaki D13/147
D562,248 S * 2/2008 Howerton D13/147
D562,249 S * 2/2008 Howerton D13/147
D563,881 S * 3/2008 Howerton D13/147

(57) **CLAIM**

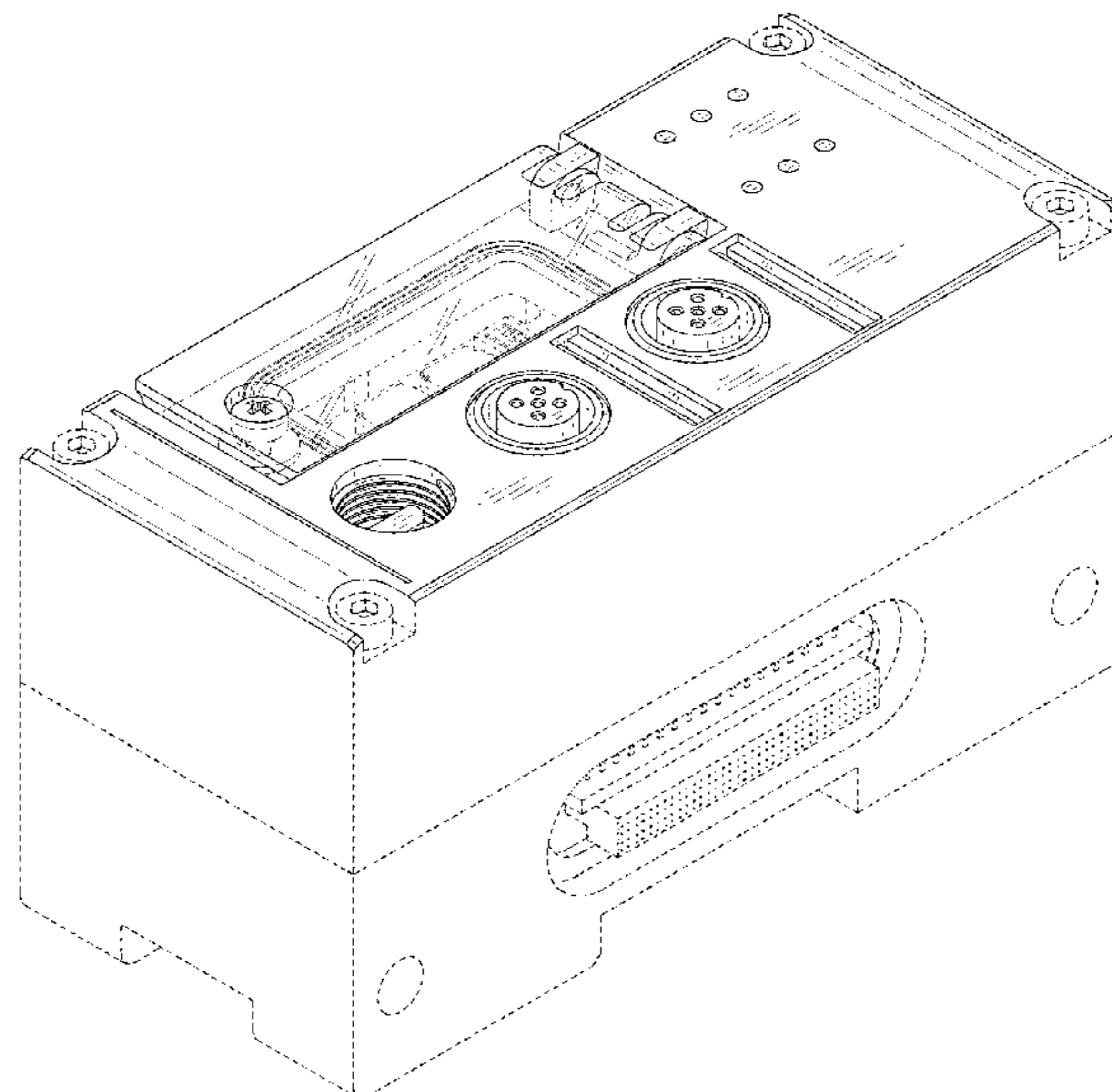
The ornamental design for a data transmission device, as shown and described.

DESCRIPTION

FIG. 1 is a front, top and right side perspective view of a data transmission device showing our new design;
FIG. 2 is a front view thereof;
FIG. 3 is a rear view thereof;
FIG. 4 is a top plan view thereof;
FIG. 5 is a right side view thereof;
FIG. 6 is a left side view thereof;
FIG. 7 is a cross-sectional view taken along line 7-7 in FIG. 2; and,
FIG. 8 is a cross-sectional view taken along line 8-8 in FIG. 4.

The broken lines illustrate portions of a data communication device and form no part of the claimed design. The dash-dot lines define the bounds of the claim and form no part of the claimed design.

1 Claim, 8 Drawing Sheets



(56)

References Cited

U.S. PATENT DOCUMENTS

D828,838 S * 9/2018 Morris D14/433
D837,017 S * 1/2019 Miller D8/74
2018/0055172 A1* 3/2018 Shuto H04B 1/38

* cited by examiner

FIG.1

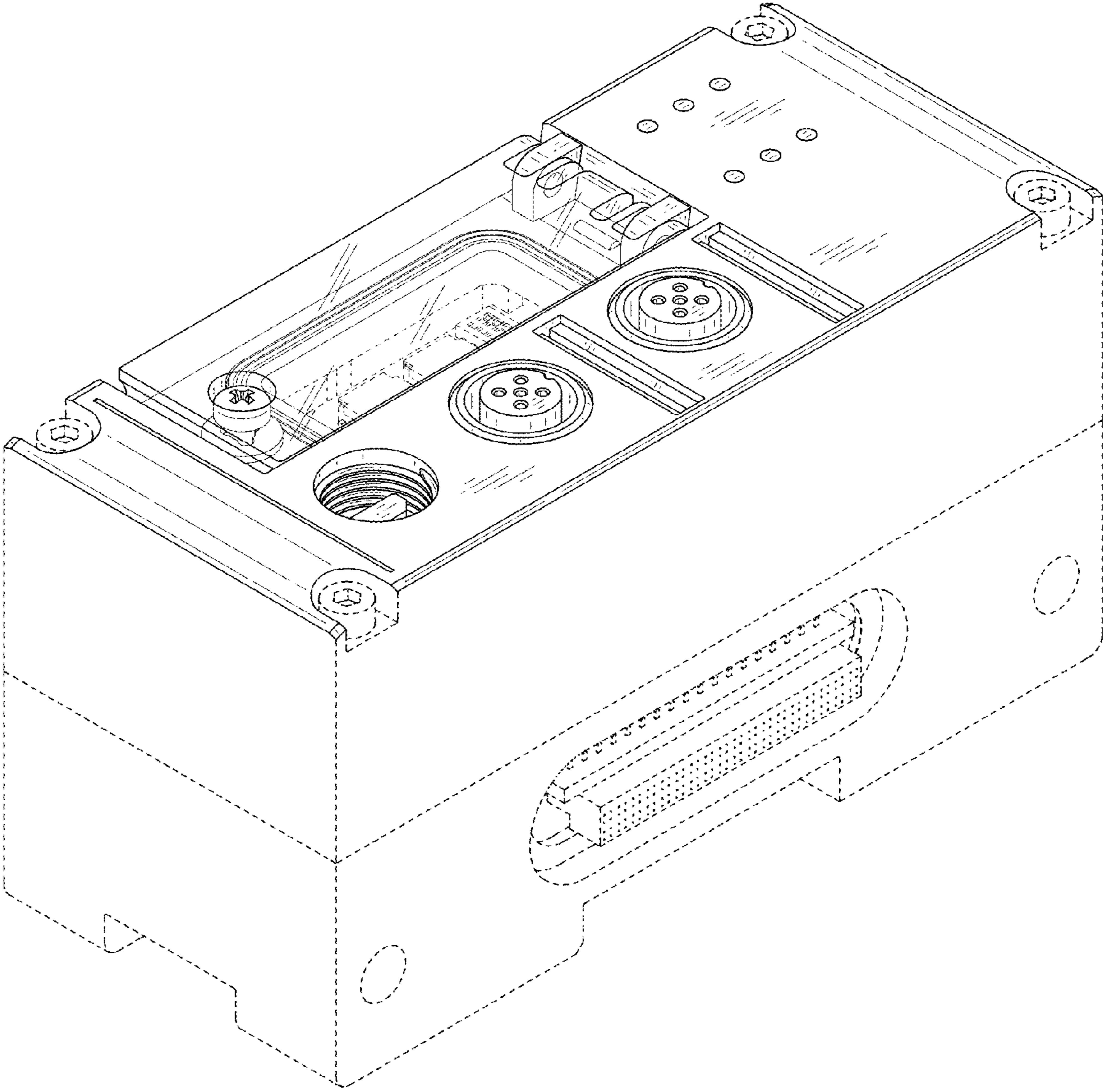


FIG.2

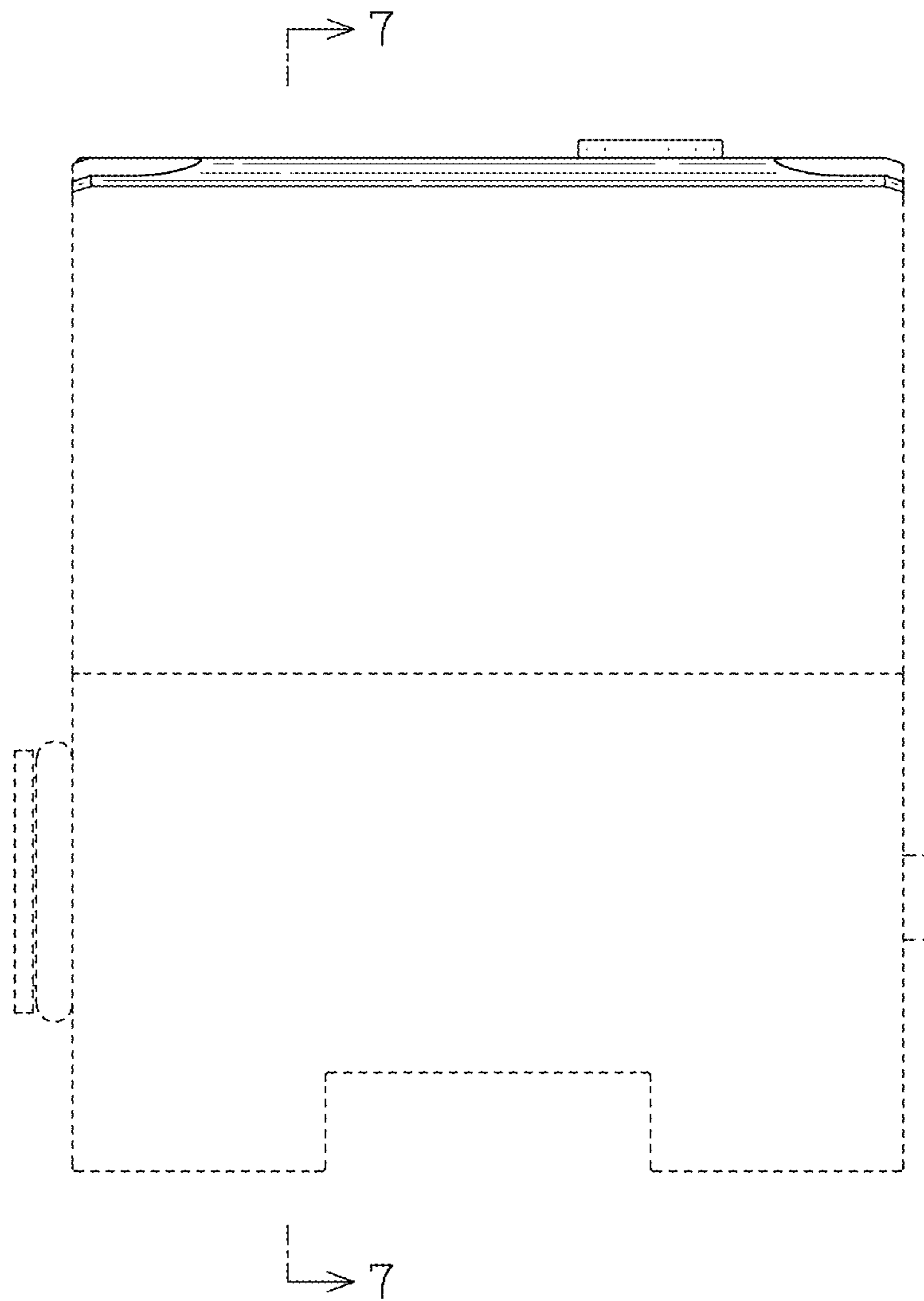


FIG.3

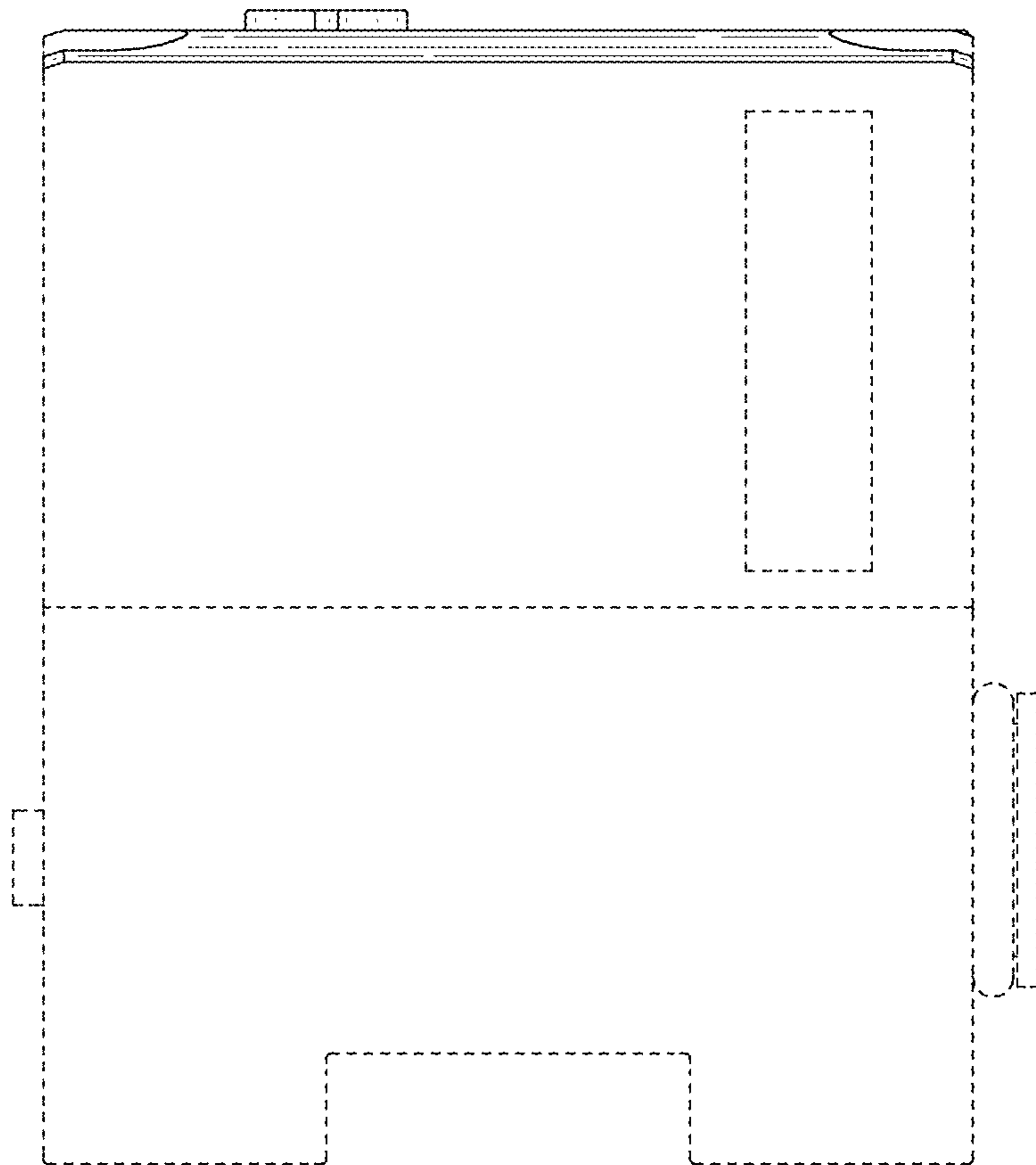


FIG.4

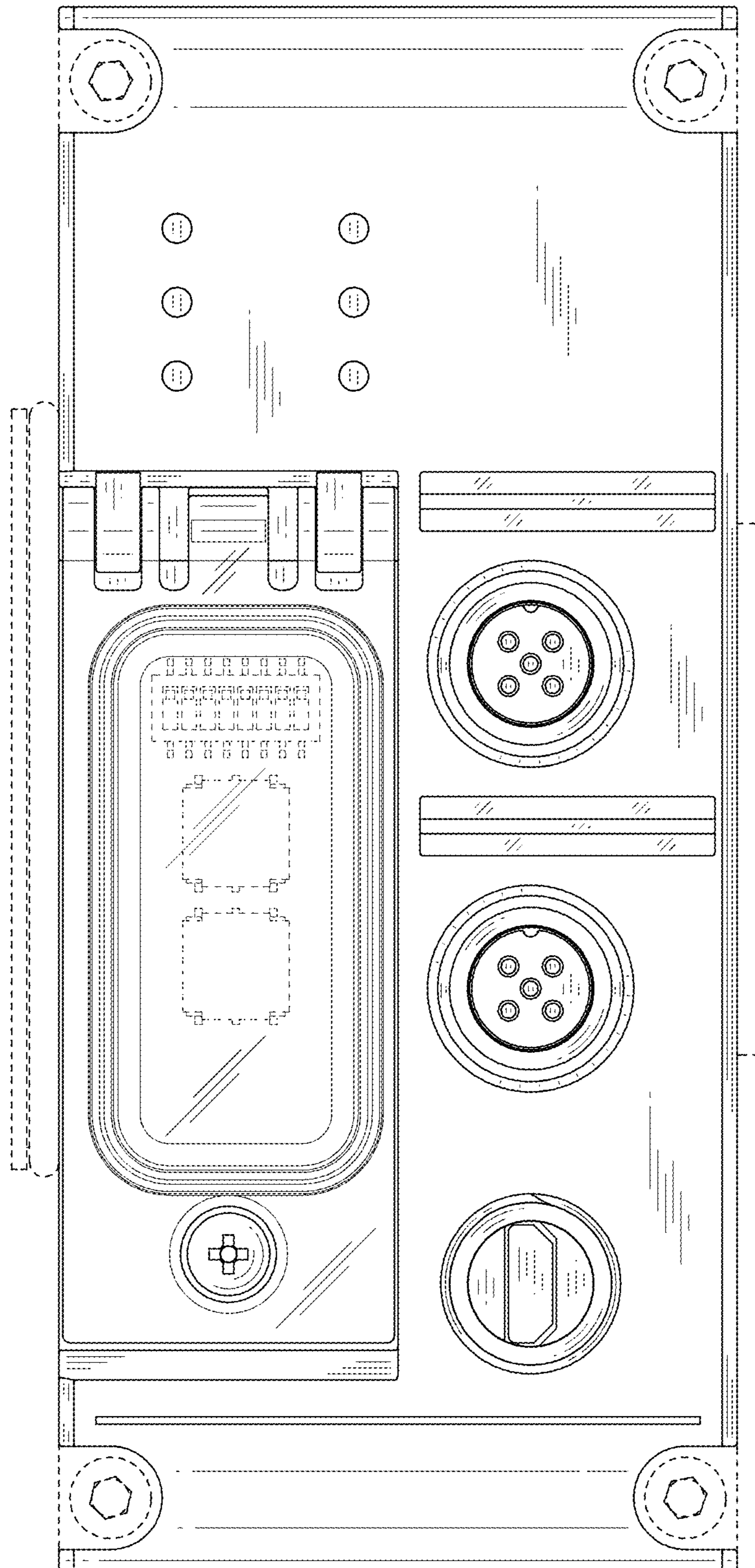


FIG. 5

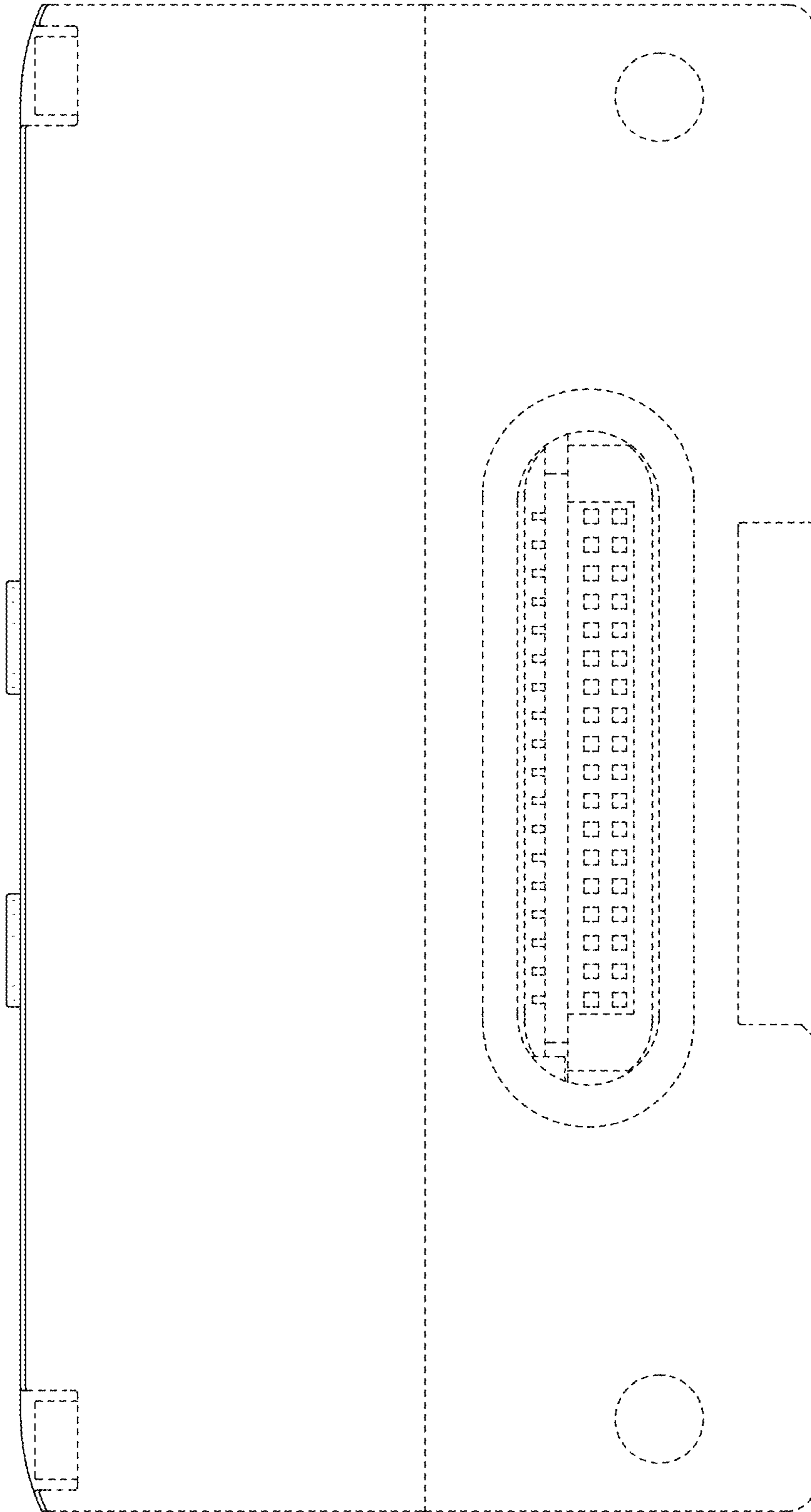


FIG.6

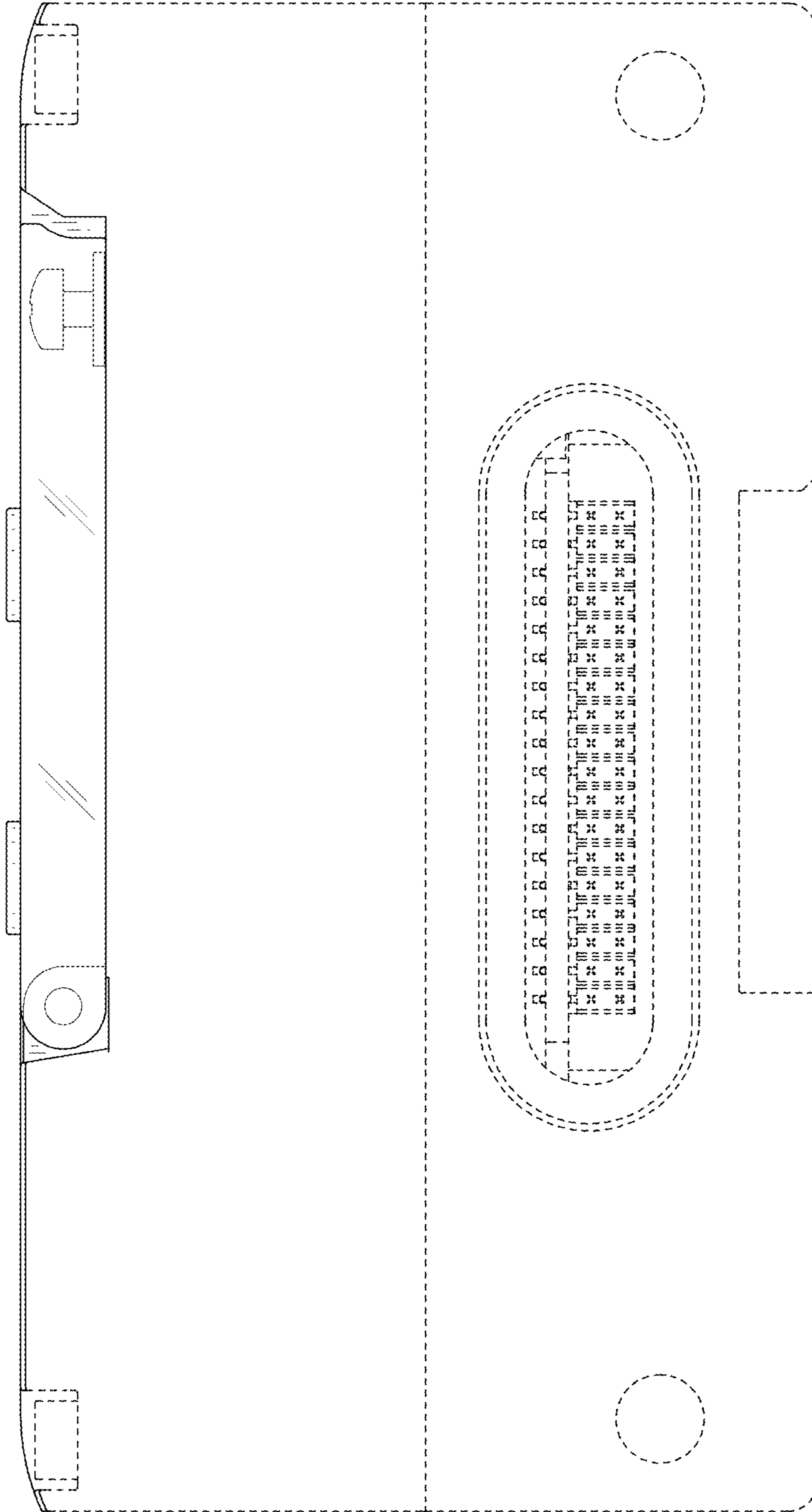


FIG.7

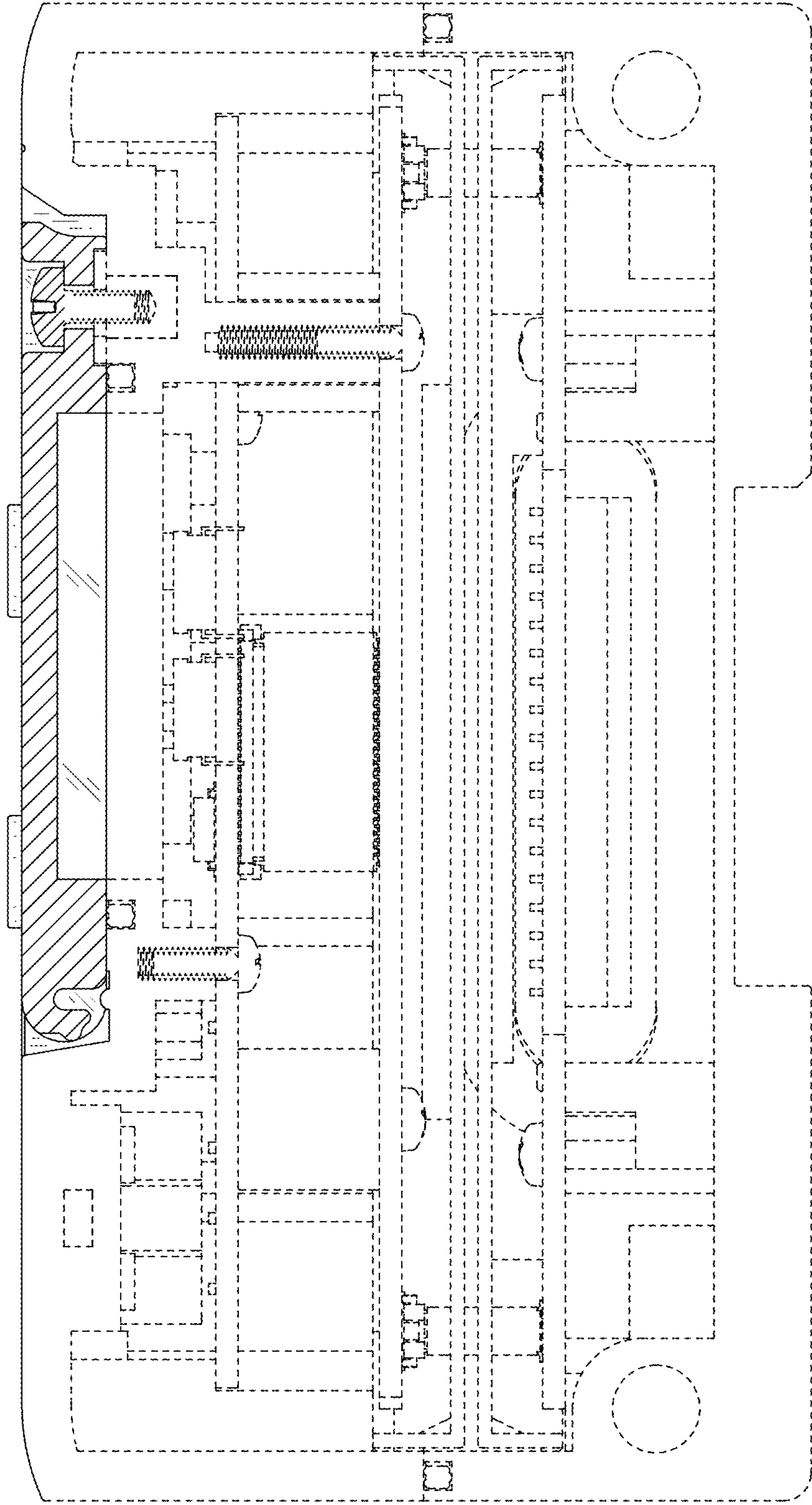


FIG.8

