



US00D886101S

(12) **United States Design Patent**
Pai

(10) **Patent No.:** **US D886,101 S**

(45) **Date of Patent:** **** Jun. 2, 2020**

- (54) **SIGNAL CONVERTER OF GAME CONTROLLER**
- (71) Applicant: **ZEROPLUS TECHNOLOGY CO., LTD.**, New Taipei (TW)
- (72) Inventor: **Tsan-Hsing Pai**, New Taipei (TW)
- (73) Assignee: **ZEROPLUS TECHNOLOGY CO., LTD.**, New Taipei (TW)
- (**) Term: **15 Years**
- (21) Appl. No.: **29/671,037**
- (22) Filed: **Nov. 21, 2018**

(30) **Foreign Application Priority Data**

Sep. 20, 2018 (TW) 107305594

(51) **LOC (12) Cl.** **14-02**

(52) **U.S. Cl.**
USPC **D14/357; D21/333**

(58) **Field of Classification Search**
 USPC D14/356, 357, 358, 433, 434, 239, 399,
 D14/400, 401, 454; D21/333;
 D10/104.1, 106.1, 106.6, 116.1, 61, 64,
 D10/75, 106.9
 CPC G06F 13/38; G06F 13/382; G06F 13/385;
 G06F 13/387; G06F 3/00; G06F 3/0202;
 G06F 3/033; G06F 3/0334; G06F 3/0346;
 A63F 13/23; A63F 13/235; A63F 13/08;
 A63F 13/20; A63F 13/98; A63F 13/245
 See application file for complete search history.

(56) **References Cited**

U.S. PATENT DOCUMENTS

- D324,244 S * 2/1992 Stamper D21/333
- D333,325 S * 2/1993 So D21/333
- D351,841 S * 10/1994 Blankenship D14/242
- D358,380 S * 5/1995 Sakaguchi D14/357

- D362,240 S * 9/1995 Heidorn D14/357
- D366,261 S * 1/1996 Splane, Jr. D14/217
- D369,149 S * 4/1996 Chang D14/239
- D370,224 S * 5/1996 Cullimore D14/358
- D379,814 S * 6/1997 Biasotti D14/191
- D385,535 S * 10/1997 Summit D14/242
- D388,067 S * 12/1997 Chen D14/388
- D395,311 S * 6/1998 Parsadayan D14/218
- 5,896,125 A * 4/1999 Niedzwiecki A63F 13/23
345/168
- D413,323 S * 8/1999 Tashiro D13/123
- D415,534 S * 10/1999 Ashida D21/332
- D434,391 S * 11/2000 Roth D13/162
- D449,300 S * 10/2001 Bentz D14/357
- D460,494 S * 7/2002 Sugino D21/333
- D462,724 S * 9/2002 Sugino D21/333

(Continued)

Primary Examiner — Marie D. Fast Horse

(74) *Attorney, Agent, or Firm* — Tracy M Heims; Apex Juris, pllc.

(57) **CLAIM**

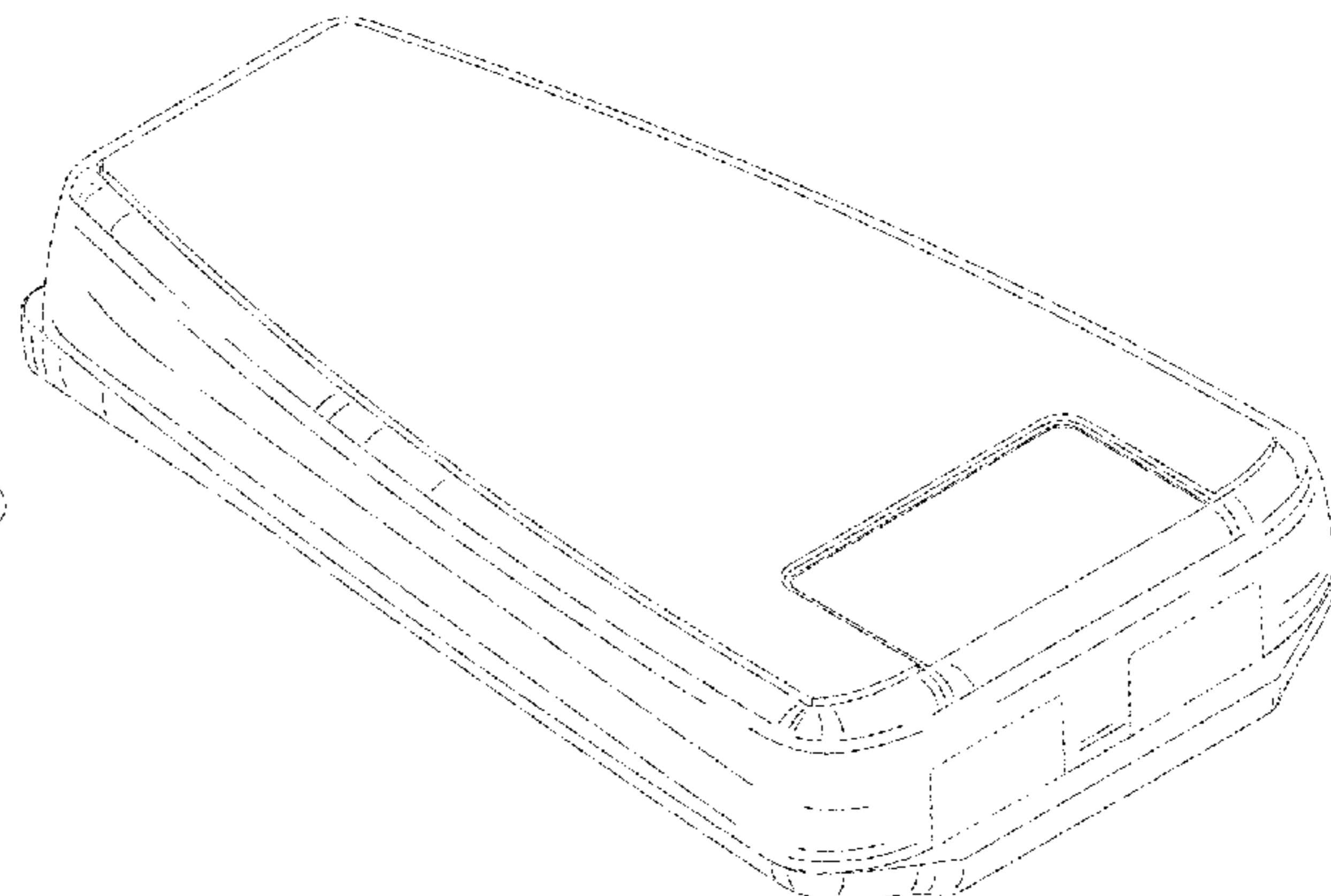
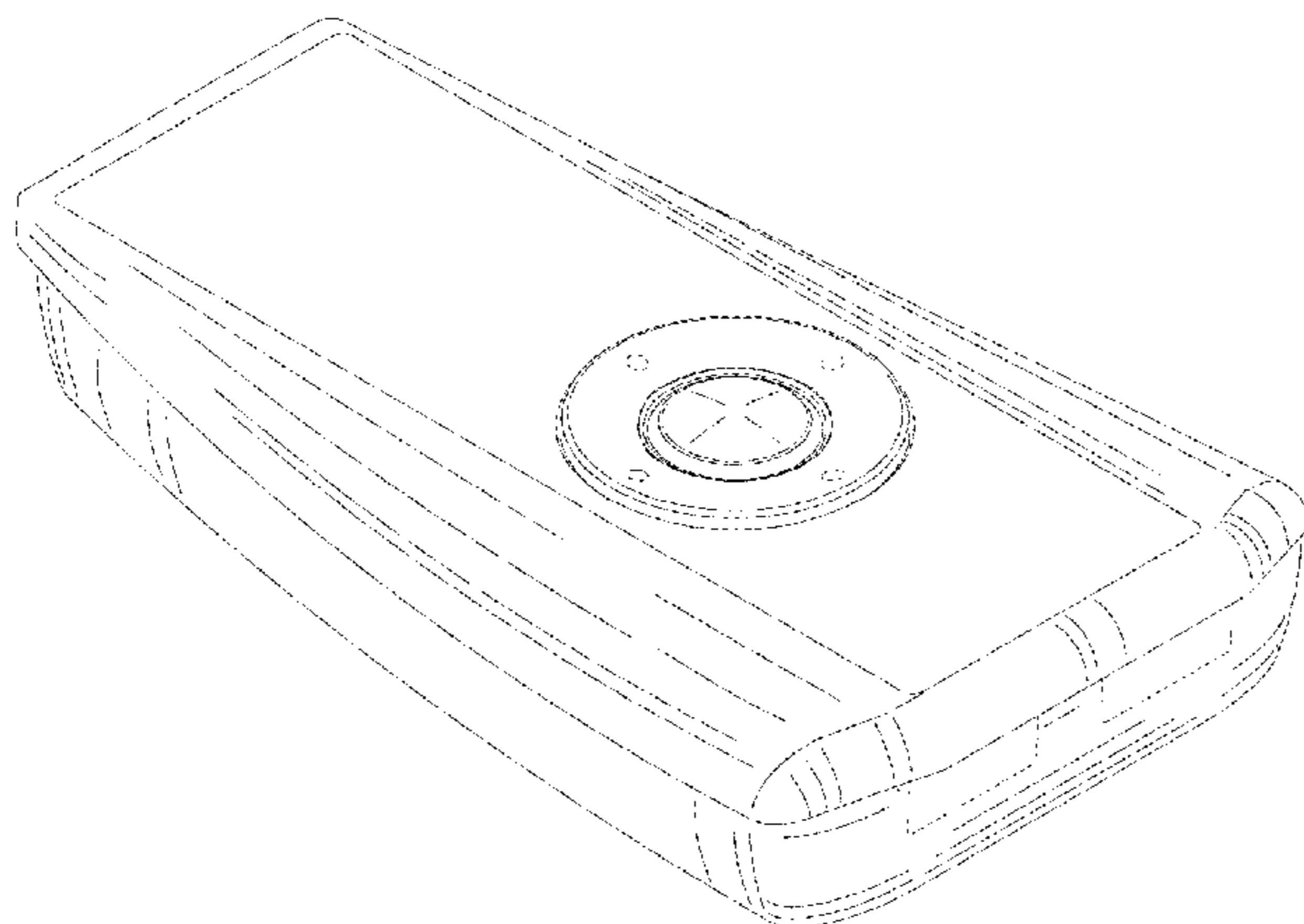
The ornamental design for a signal converter of game controller, as shown and described.

DESCRIPTION

FIG. 1 is a perspective view of the signal converter of game controller showing my new design;
 FIG. 2 is another perspective view of the signal converter of FIG. 1
 FIG. 3 is yet another perspective view of the signal converter of FIG. 1;
 FIG. 4 is a front view of the signal converter;
 FIG. 5 is a rear view of the signal converter;
 FIG. 6 is a left side view of the signal converter;
 FIG. 7 is a right side view of the signal converter;
 FIG. 8 is a top view of the signal converter; and,
 FIG. 9 is a bottom view of the signal converter.

The broken lines depict portions of the signal converter of game controller that form no part of the claimed design.

1 Claim, 9 Drawing Sheets



(56)

References Cited

U.S. PATENT DOCUMENTS

D465,488 S * 11/2002 Hillenmayer D14/356
 D477,241 S * 7/2003 Christianson D10/104.1
 D484,886 S * 1/2004 Matsuoka D14/388
 D487,087 S * 2/2004 Wang D14/125
 D520,001 S * 5/2006 Katayama D14/358
 D523,854 S * 6/2006 Rinna D14/358
 D540,818 S * 4/2007 Reawsanguanwong D14/496
 D541,275 S * 4/2007 Lai D14/358
 D559,916 S * 1/2008 Sakai D14/400
 D562,317 S * 2/2008 Lagerberg D14/217
 D566,097 S * 4/2008 Bhavnani D14/168
 D566,115 S * 4/2008 Swanson D14/240
 D577,721 S * 9/2008 O'Neil D14/358
 D586,809 S * 2/2009 Jones D14/435.1
 D587,614 S * 3/2009 Schwantz D10/106.1
 D626,958 S * 11/2010 Jardine D14/358
 D640,648 S * 6/2011 Luo D14/125
 D695,315 S * 12/2013 Baggio D14/496
 D705,741 S * 5/2014 Porter D13/162
 D705,744 S * 5/2014 Porter D13/177
 D709,839 S * 7/2014 Sparks D13/177
 D716,809 S * 11/2014 Ishii D14/389
 D725,607 S * 3/2015 Kandler D13/168
 D726,681 S * 4/2015 Liu D14/155

D741,817 S * 10/2015 Paredes D13/168
 D744,044 S * 11/2015 Yoon D14/401
 D748,066 S * 1/2016 Lee D13/168
 D754,206 S * 4/2016 Nguyen D14/203.3
 D762,168 S * 7/2016 Sandoval D13/107
 D788,106 S * 5/2017 Lin D14/356
 D788,603 S * 6/2017 Liu D10/102
 D789,361 S * 6/2017 Ali D14/358
 D791,767 S * 7/2017 Ali D14/358
 D792,355 S * 7/2017 Lin D13/162
 D798,296 S * 9/2017 Ali D14/358
 D807,401 S * 1/2018 Xu D14/496
 D819,631 S * 6/2018 Matsumiya D14/357
 D837,784 S * 1/2019 Ali D14/358
 D869,320 S * 12/2019 Wang D10/106.6
 2004/0147292 A1 * 7/2004 Wang G06F 3/03543
 455/573
 2005/0176505 A1 * 8/2005 Stanley A63F 13/23
 463/37
 2007/0265078 A1 * 11/2007 Yu A63F 13/245
 463/37
 2009/0111587 A1 * 4/2009 Chu A63F 13/23
 463/47
 2013/0324236 A1 * 12/2013 Koppe A63F 13/23
 463/29

* cited by examiner

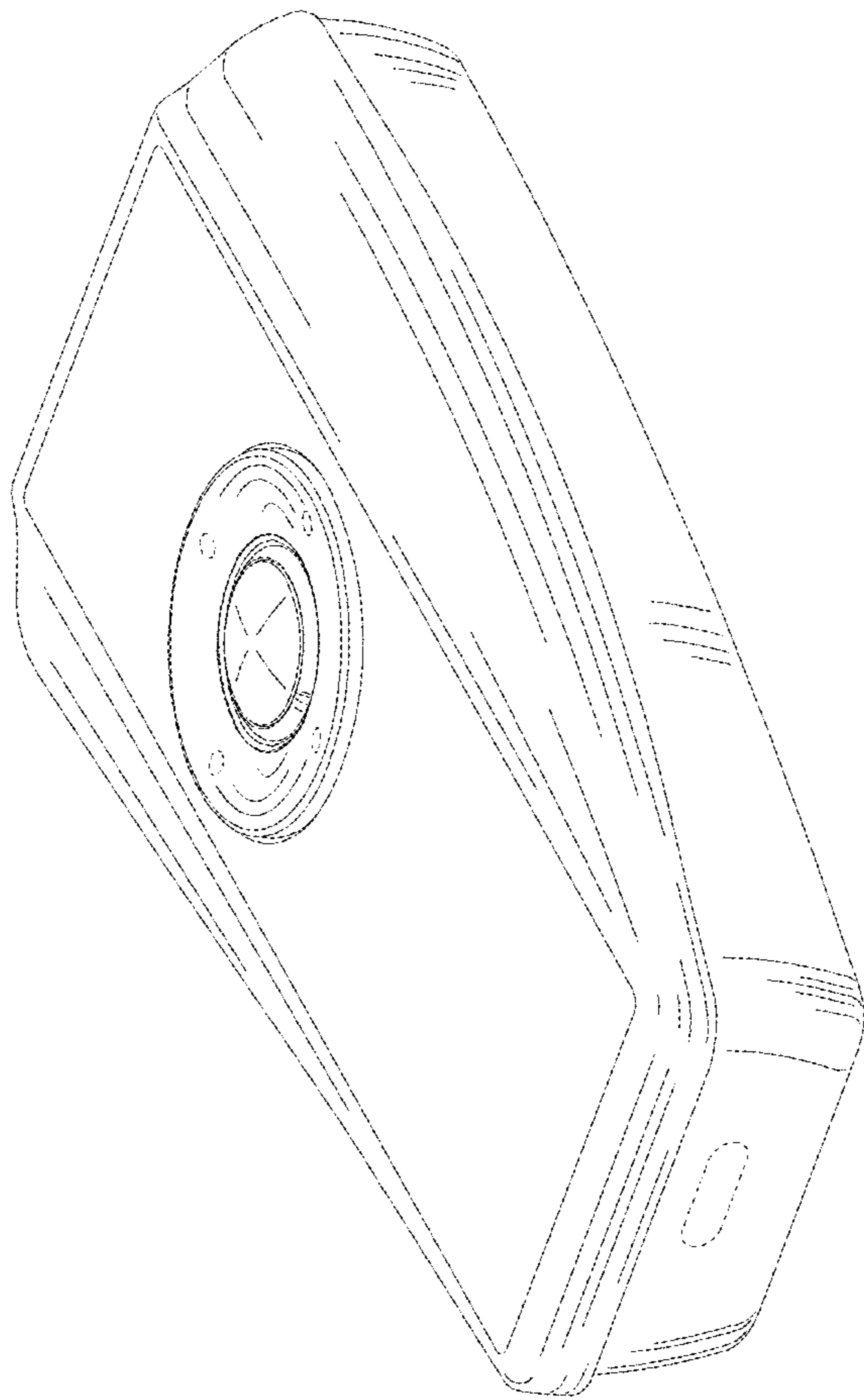


FIG.1

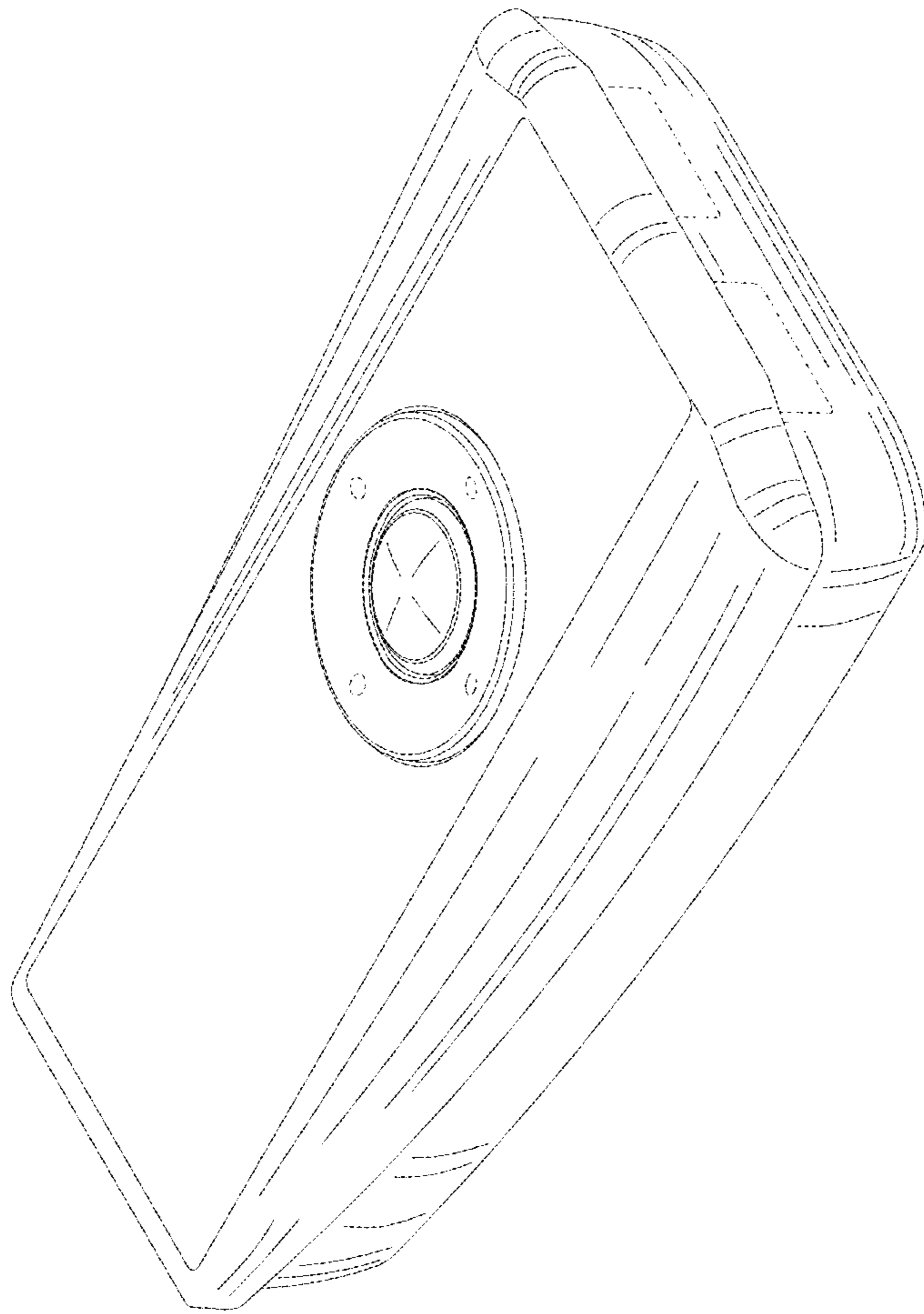


FIG.2

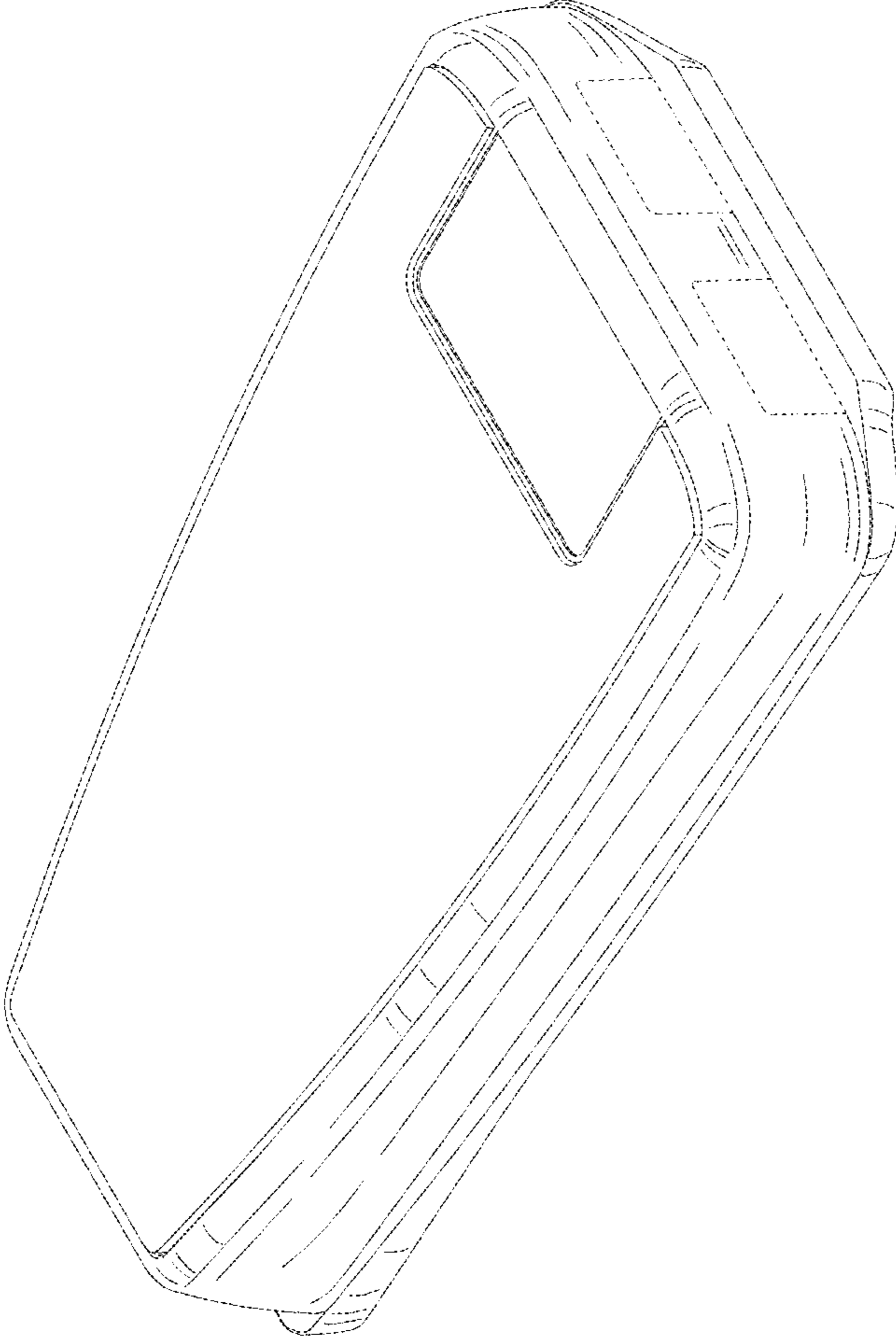


FIG.3

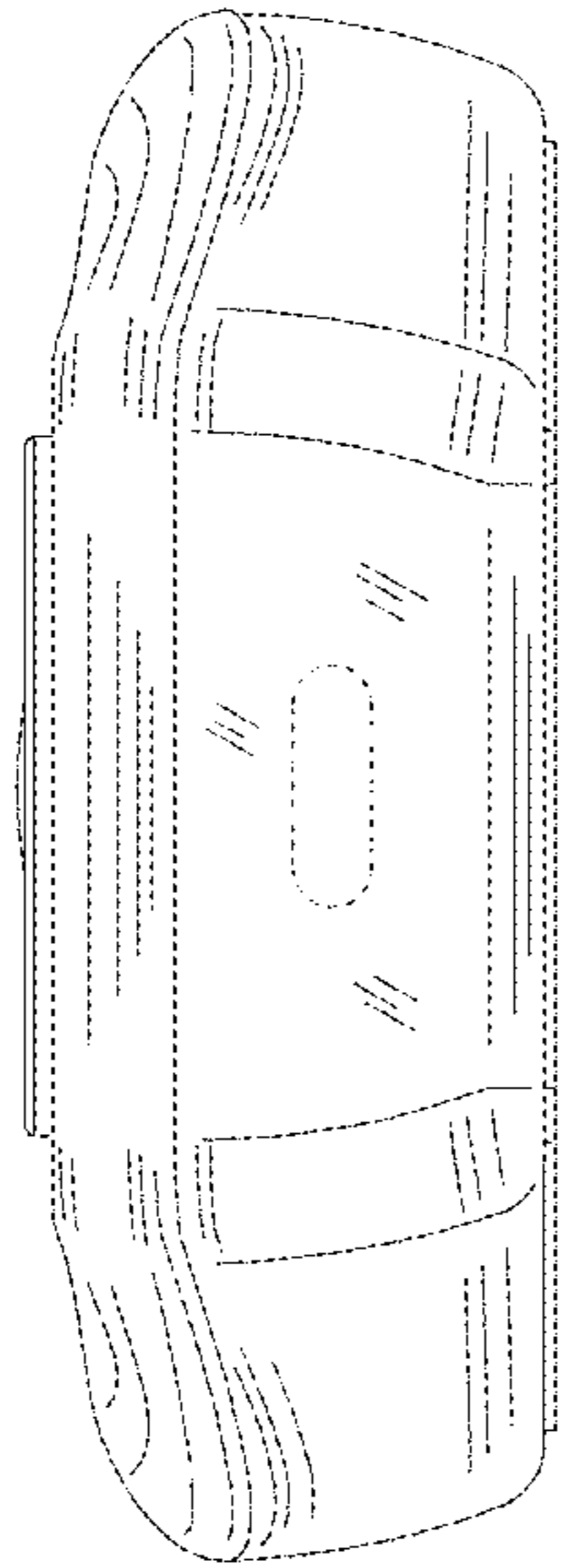


FIG.4

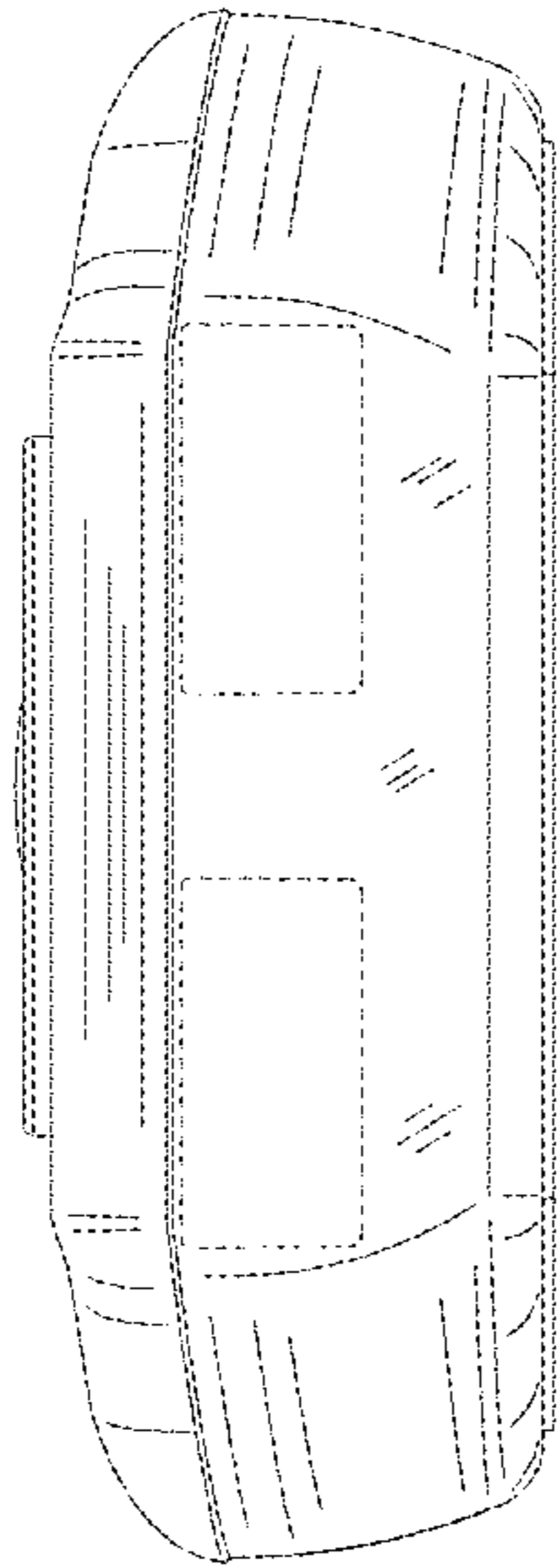


FIG.5

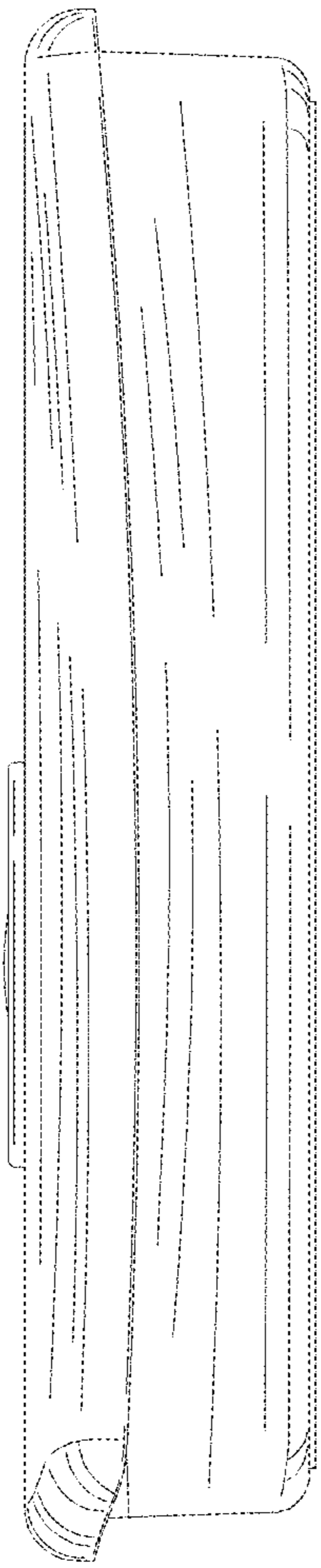


FIG.6

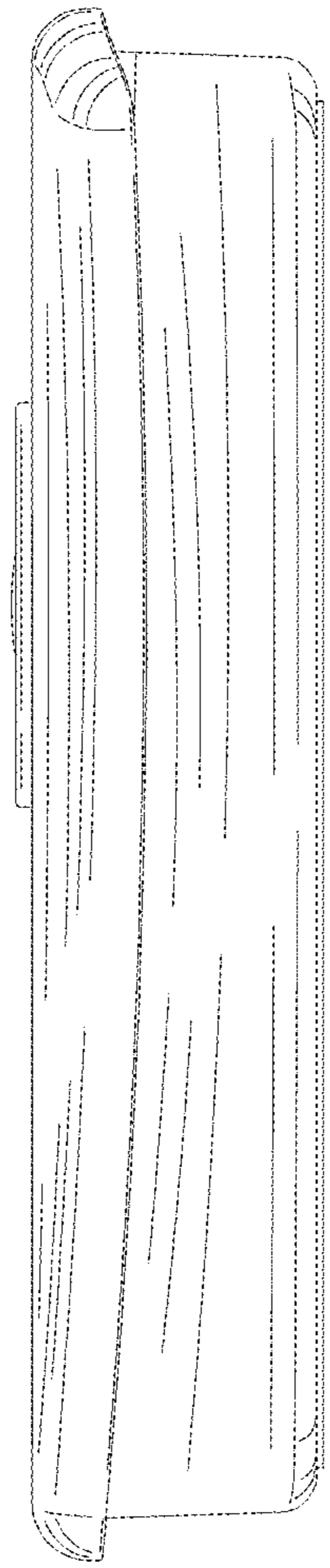


FIG.7

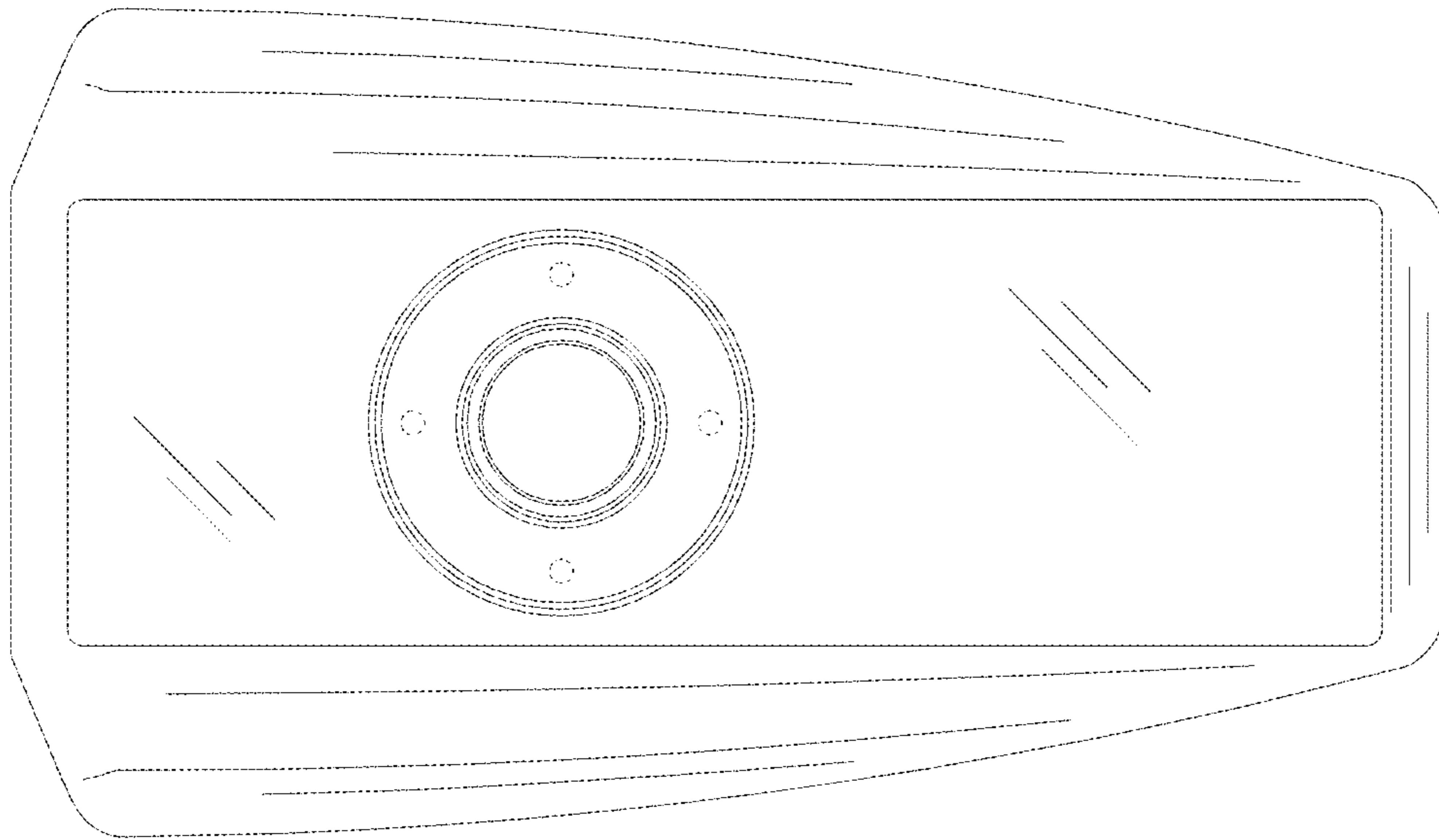


FIG.8

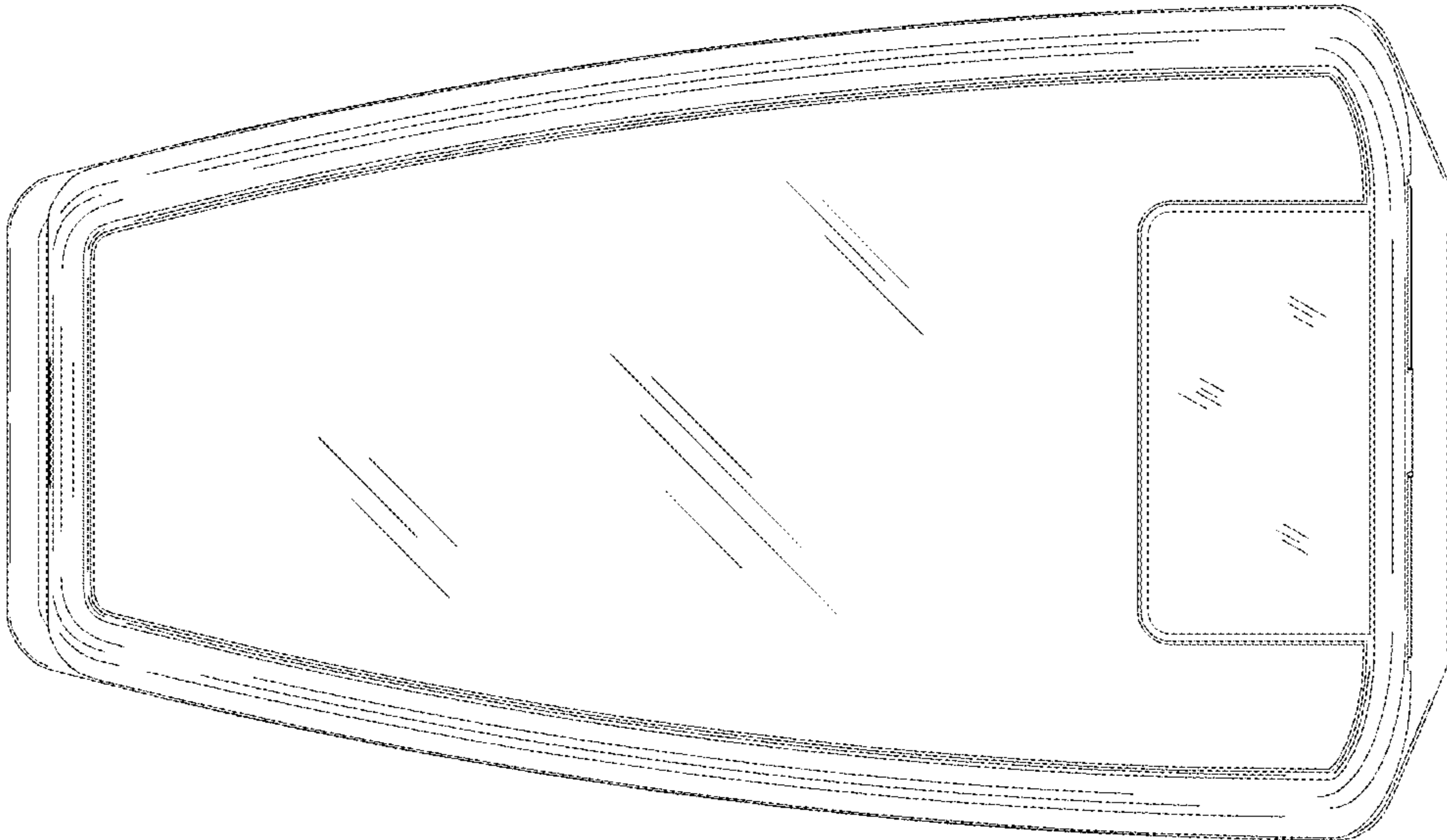


FIG.9