



US00D886098S

(12) **United States Design Patent**  
**Choplin et al.**

(10) **Patent No.:** **US D886,098 S**  
(45) **Date of Patent:** **\*\* Jun. 2, 2020**

(54) **SMART WATCH WITH CURVED BODY**

- (71) Applicant: **Fitbit, Inc.**, San Francisco, CA (US)
- (72) Inventors: **Stephanie Lydia Renee Choplin**, San Francisco, CA (US); **Cory William Worth**, Palo Alto, CA (US); **Brian Dennis Paschke**, San Francisco, CA (US); **Jonah Avram Becker**, San Francisco, CA (US); **Anthony Gerald Kern**, Pleasant Hill, CA (US)
- (73) Assignee: **FITBIT, INC.**, San Francisco, CA (US)
- (\*\*) Term: **15 Years**
- (21) Appl. No.: **29/725,309**
- (22) Filed: **Feb. 24, 2020**

**Related U.S. Application Data**

- (62) Division of application No. 29/656,638, filed on Jul. 13, 2018.
- (51) **LOC (12) Cl.** ..... **14-02**
- (52) **U.S. Cl.**  
USPC ..... **D14/344**; D24/186
- (58) **Field of Classification Search**  
USPC .... D14/13 R, 144, 341, 344, 358, 388, 218;  
D10/30-39, 70, 98; D11/3, 4, 26, 93-94,  
(Continued)

(56) **References Cited**

**U.S. PATENT DOCUMENTS**

- D315,111 S 3/1991 Rogalski
  - D383,073 S 9/1997 Miller
- (Continued)

**FOREIGN PATENT DOCUMENTS**

- CH 135962 5/2009
  - CN 105795625 A 7/2016
- (Continued)

**OTHER PUBLICATIONS**

POY Compatible Bands Replacement for Fitbit Alta, Fitbit Alta HR sold on Amazon. Website accessed Mar. 1, 2019.  
(Continued)

*Primary Examiner* — Shannon W Morgan  
*Assistant Examiner* — Kristin E Reed  
(74) *Attorney, Agent, or Firm* — Polson Intellectual Property Law, PC; Margaret Polson

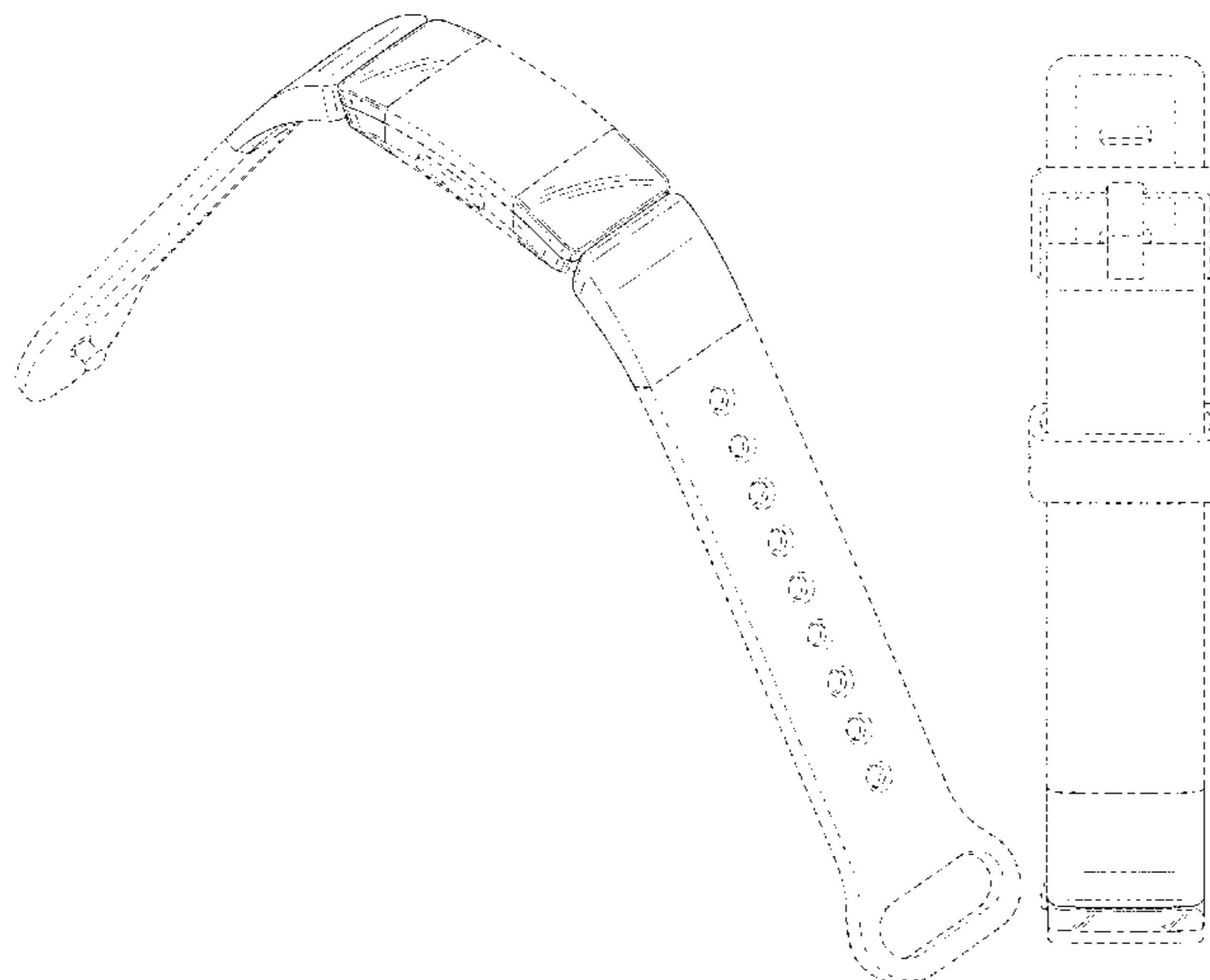
(57) **CLAIM**

The ornamental design for a smart watch with curved body, as shown and described.

**DESCRIPTION**

FIG. 1 is a top, left side isometric view of our new design for a smart watch with curved body.  
 FIG. 2 is a bottom left side isometric view of FIG. 1.  
 FIG. 3 is a top side plan view of FIG. 1.  
 FIG. 4 is a bottom side plan view of FIG. 1.  
 FIG. 5 is a left side elevation view of FIG. 1.  
 FIG. 6 is a right side elevation view of FIG. 1.  
 FIG. 7 is a front side elevation view of FIG. 1.  
 FIG. 8 is a back side elevation view of FIG. 1.  
 FIG. 9 is an exploded isometric view of FIG. 1.  
 FIG. 10 is a top, left side isometric view of a second embodiment of our new design for a smart watch with curved body.  
 FIG. 11 is a bottom left side isometric view of FIG. 10.  
 FIG. 12 is a top side plan view of FIG. 10.  
 FIG. 13 is a bottom side plan view of FIG. 10.  
 FIG. 14 is a left side elevation view of FIG. 10.  
 FIG. 15 is a right side elevation view of FIG. 10.  
 FIG. 16 is a front side elevation view of FIG. 10.  
 FIG. 17 is a back side elevation view of FIG. 10; and,  
 FIG. 18 is an exploded isometric view of FIG. 10.  
 The features shown in broken lines in the drawings depict portions of the smart watch with curved body. The dash-dot-dash broken lines define the bounds of the claimed design. The broken lines form no part of the claimed design.

**1 Claim, 14 Drawing Sheets**



(58) **Field of Classification Search**

USPC ..... D11/78.1, 79, 86; D24/167, 169,  
D24/186–187, 164  
CPC ..... A41D 1/002; A41D 19/0034; G06F 1/04;  
G06F 1/08; G06F 1/10; G06F 1/14; G06F  
1/1626; G06F 1/1628; G06F 1/163; G06F  
1/1635; G06F 1/3203; G06Q 20/10;  
G06Q 20/12; G06Q 20/108; G06Q  
20/145; H04B 1/3833; H04B 1/385;  
H04B 1/3888; H04M 1/02; H04M 1/03;  
H04M 1/04; H04M 1/05; H04M 1/667;  
H04M 1/6058; Y02B 60/1217  
See application file for complete search history.

D865,761 S \* 11/2019 Choplin ..... D14/344  
D868,780 S \* 12/2019 Doan ..... D14/344  
D874,311 S \* 2/2020 Connor ..... D11/3  
2014/0096345 A1\* 4/2014 Tschumi ..... G04B 37/1486  
24/265 B  
2016/0015136 A1 1/2016 Yue et al.  
2018/0294554 A1\* 10/2018 Xu ..... G04G 21/04

FOREIGN PATENT DOCUMENTS

CN 206101834 U 4/2017  
CN 206137393 U 5/2017  
CN 206165989 U 5/2017  
CN 206175396 U 5/2017  
CN 207341307 U 5/2018  
GB 2522510 A 7/2015

(56)

**References Cited**

U.S. PATENT DOCUMENTS

D407,990 S 4/1999 Akagi  
D444,395 S 7/2001 Upton  
D523,369 S \* 6/2006 Jacober ..... D11/3  
D556,194 S 11/2007 Rambosek et al.  
D645,968 S 9/2011 Kasabach et al.  
8,370,549 B2 2/2013 Burton et al.  
D714,179 S 9/2014 Park et al.  
D717,956 S 11/2014 Alexander et al.  
D720,249 S 12/2014 Park et al.  
D720,635 S 1/2015 Park et al.  
D724,453 S 3/2015 Ogihara et al.  
D726,052 S 4/2015 Henning  
D727,183 S 4/2015 Park et al.  
D727,759 S 4/2015 Martinez et al.  
D745,513 S 12/2015 Jung et al.  
D745,514 S 12/2015 Jung et al.  
D746,477 S 12/2015 Cha et al.  
D751,069 S 3/2016 Choi et al.  
9,285,830 B2 3/2016 Alcazar  
D759,516 S 6/2016 Ling et al.  
D767,768 S 9/2016 Ahmed et al.  
D770,321 S 11/2016 Murphy et al.  
D771,261 S 11/2016 Movva et al.  
D790,374 S 6/2017 Lean et al.  
D795,719 S 8/2017 Lean et al.  
D800,007 S 10/2017 Tibi  
D800,596 S 10/2017 Ling et al.  
D802,465 S \* 11/2017 Dukerschein ..... D11/3  
D806,589 S 1/2018 Le Bihan et al.  
D806,880 S 1/2018 Henning  
D808,962 S 1/2018 Wu  
D809,144 S 1/2018 Wu  
D813,229 S 3/2018 Ling et al.  
D814,643 S 4/2018 Mockler et al.  
D822,836 S 7/2018 Wu  
D829,330 S 9/2018 Zheng  
D831,644 S 10/2018 Wu  
10,111,504 B2 10/2018 Hundt et al.  
D833,625 S 11/2018 Guan et al.  
D834,439 S 11/2018 Monachon  
D835,533 S 12/2018 Zheng  
D839,120 S 1/2019 Hou et al.  
D840,043 S 2/2019 Li et al.  
D841,171 S 2/2019 Li et al.  
D848,875 S 5/2019 Wildner et al.  
D850,317 S \* 6/2019 Hinds ..... D11/3  
D851,641 S 6/2019 Zhang  
D858,517 S \* 9/2019 Kern ..... D14/344  
D860,037 S \* 9/2019 Vandebussche ..... D11/94  
D860,989 S 9/2019 Choplin et al.  
D861,678 S 10/2019 Kern et al.  
D861,679 S \* 10/2019 Riot ..... D14/344  
D862,459 S \* 10/2019 Choplin ..... D14/344  
D862,463 S \* 10/2019 Mao ..... D14/344  
D863,095 S \* 10/2019 Akana ..... D11/3  
D863,296 S \* 10/2019 Kern ..... D14/344  
D863,997 S \* 10/2019 Garner ..... D10/70  
D864,956 S \* 10/2019 Kern ..... D14/344

OTHER PUBLICATIONS

Monster Fitness Multicolor Replacement Bands for Fitbit Flex sold on Amazon. Website accessed Mar. 1, 2019.  
GK Fitbit Alta Bands—replacement sport strap bands for Fitbit Alta for sale at Walmart (www.walmart.com). Website accessed Nov. 7, 2018.  
Suunto Core watchband on Instagram. Accessed Feb. 7, 2017.  
Suppa G-Shock Strap Adapters, online at least as early as Dec. 13, 2013. Accessed Feb. 7, 2017.  
Monserat de Lucca Measuring Tape Bracelet for sale at Shopbop (www.shopbop.com). Website accessed Nov. 11, 2018.  
Marc by Marc Jacobs Engraved Turlock Leather Bangle Bracelet for sale at Shopbop (www.shopbop.com). Website accessed Nov. 11, 2018.  
ACBEE Replacement watch band with buckle for Fitbit Alta for sale at www.amazon.com, Website accessed Nov. 7, 2018.  
Perfit rubber watch band with double prong buckle and spring bars for sale at www.amazon.com. Website accessed Nov. 7, 2018.  
Waterproof diving silicone rubber strap with clasp for sale at www.aliexpress.com (Alibaba Group). Website accessed Feb. 7, 2018.  
Damusy Fitness Tracker Smart Band for sale at www.activityandfitness trackers.com. Website accessed Nov. 10, 2018.  
Volemer F09HR Smart Band Fitness Tracker for sale at www.epaky.com. Website accessed Nov. 10, 2018.  
“First Look: Fitbit announces new Fitbit Alta activity tracker”, published Feb. 3, 2016 on DC Rainmaker (www.dcrainmaker.com). Website accessed Nov. 10, 2018.  
Fitbit Alta—for sale by Fitbit (https://www.fitbit.com/alta). Website accessed Mar. 27, 2017.  
Fitbit Alta review published Mar. 25, 2016 on CNet (www.cnet.com). Website accessed Nov. 10, 2018.  
Fitbit Charge 2 Heart Rate and Fitness Wristband for sale at www.amazon.co.uk. Website accessed Feb. 7, 2018.  
Fitbit Flex Wireless Activity and Sleep Wristband for sale at www.amazon.com. Listed at least as early as Apr. 16, 2013.  
Fitbit Ionic Accessory Band for sale at Nordstrom (https://shop.nordstrom.com). Website accessed Nov. 7, 2018.  
Fitbit Alta HR Bands for sale at The Fitness Equipment Shop (www.thefitness equipments shop.com). Website accessed Nov. 17, 2018.  
Luminox Replacement Rubber Watch Band Strap for sale at Walmart (www.walmart.com). Website accessed Nov. 7, 2018.  
“MPOW DS-D6 Fitness Band Review” published Jan. 13, 2018 on ZeroAir (www.zeroair.wordpress.com). Website accessed Nov. 10, 2018.  
“Fitbit Product Teardown” on Pinterest, pinned from www.ifixit.com. Website accessed Feb. 27, 2017.  
Pro Elite Medicine Ball by Power Systems (www.power-systems.com). Website accessed Feb. 2, 2018.  
Replacement metal watch band Connector for Fitbit Alta/Fitbit Alta HR for sale at Banggood (www.banggood.com). Website accessed Nov. 10, 2018.  
Citrine by the Stones Sol Forearm Band for sale at Shopbop (www.shopbop.com). Website accessed Nov. 11, 2018.

(56)

**References Cited**

## OTHER PUBLICATIONS

Gorjana Mia Wrap Cuff for sale at Shopbop (www.shopbop.com). Website accessed Nov. 11, 2011.

Fintie for Gear S2 Watch Band Stainless Steel Metal Replacement Strap, for sale at www.amazon.com. Website accessed Apr. 24, 2019.

Fitbit Inspire HR review: One size, many styles, fit all, posted May 24, 2019, [retrieved Jun. 5, 2019]. Retrieved from Internet, <URL: <https://www.macworld.com/article/3397320/fitbit-inspire-hr-review.html>>.

The New Fitbit Inspire HR Is Finally Available to the Public!, posted Mar. 6, 2019, [retrieved Jun. 5, 2019]. Retrieved from Internet, <URL: <https://aranyevert.com/new-fitbit-inspire-hr-smartwatch/>>.

Samsung's 6th smartwatch has a 3G modem and a massive curved display, posted Aug. 28, 2014, [retrieved Jun. 5, 2019]. Retrieved from Internet, <URL: <https://arstechnica.com/gadgets/2014/08/samsungs-6th-smartwatch-has-a-3g-modem-and-a-massive-curved-display/>>.

Microsoft Band 2 Fitness Tracker with Curved Screen Announced, posted Oct. 7, 2015, [retrieved Jun. 5, 2019]. Retrieved from Internet, <URL: <https://gadgetsin.com/microsoft-band-2-fitness-tracker-with-curved-screen-announced.html>>.

Samsung Introduces Three New Wearables for Balanced and Connected Living, Samsung Newsroom, posted Feb. 20, 2019, accessed Feb. 25, 2019. <URL: <https://news.samsung.com/us/samsung-wearable-galaxy-watch-active-galaxy-fit-galaxy-buds-unpacked-2019/>>.

Wang et al., "Integrity Protection for Code-On-Demand Mobile Agents," *Journal of Systems and Software*, vol. 60, Issue 3, pp. 211-221, downloaded from: <https://www.researchgate.net/researcher/9579357TianhanWang>, Feb. 15, 2002.

Seifert, "Making Time: how Pebble built its next smartwatch," downloaded from: <http://www.theverge.com/2015/2/24/8091175/pebble-time-watchwearable-platform-eric-migicovsky-interview>, The Verge, Feb. 24, 2015.

Fitbit Charge 3 leak hints at massive changes, posted Aug. 14, 2018, [retrieved Jan. 29, 2019]. Retrieved from Internet, <URL: <https://www.slashgear.com/fitbit-charge-3-leak-hints-at-massive-changes-14541228/>>.

New Fitbit is a waterproof smartwatch in disguise, posted Aug. 28, 2018, [retrieved Jan. 29, 2019]. Retrieved from Internet, <URL: [https://www.fox5vegas.com/archives/new-fitbit-is-a-waterproof-smartwatch-in-disguise/article\\_277bf36f-2e79-5b48-b490-1abce7603fae.html](https://www.fox5vegas.com/archives/new-fitbit-is-a-waterproof-smartwatch-in-disguise/article_277bf36f-2e79-5b48-b490-1abce7603fae.html)>.

Silicone Rubber Waterproof Watch Strap Band FORTE Spring Bars, for sale at eBay (<https://www.ebay.com.au/itm/Silicone-Rubber-Waterproof-Watch-Strap-Band-FORTE-Spring-Bars-20mm-22mm-24mm-/272077865335>). Website accessed Dec. 6, 2019.

Kartice Compatible with Fitbit Inspire Bands/Fitbit Inspire HR Bands, for sale at www.amazon.com. Website accessed Jun. 10, 2019.

Tuscom Replacement Bands Compatible with Fitbit Inspire and Fitbit Inspire HR, for sale at www.amazon.com. Website accessed Jun. 10, 2019.

ACBEE Fitbit alta Band, Watch Buckle Design, for sale on amazon.com ([https://www.amazon.com/ACBEE-Perfect-Replacement-](https://www.amazon.com/ACBEE-Perfect-Replacement-Original-Band-Never/dp/B01G2IECXO/ref=as_li_ss_tlie=UTF8&linkCode=sll1&tag=mbyte-20&linkId=d7045d83d76ae70cec2212,2019.55ad2f282088&linkCode=w61&imprToken=n-LMJ6kaAeLbRPMusOUq7A&slotNum=14)

[Original-Band-Never/dp/B01G2IECXO/ref=as\\_li\\_ss\\_tlie=UTF8&linkCode=sll1&tag=mbyte-20&linkId=d7045d83d76ae70cec2212,2019.55ad2f282088&linkCode=w61&imprToken=n-LMJ6kaAeLbRPMusOUq7A&slotNum=14](https://www.amazon.com/ACBEE-Perfect-Replacement-Original-Band-Never/dp/B01G2IECXO/ref=as_li_ss_tlie=UTF8&linkCode=sll1&tag=mbyte-20&linkId=d7045d83d76ae70cec2212,2019.55ad2f282088&linkCode=w61&imprToken=n-LMJ6kaAeLbRPMusOUq7A&slotNum=14)). Website accessed Jun. 12, 2019.

Gold premium NATO strap Le Mans, for sale at cheapestnatostraps.com (<https://www.cheapestnatostraps.com/products/gold-premium-nato-strap-le-mans>). Website accessed Dec. 6, 2019.

Alfawise H19 RFID Sports Smartwatch Fitness Tracker for sale at gearbest.com ([https://www.gearbest.com/smart-watches/pp\\_009207049039.html?wid=1433363](https://www.gearbest.com/smart-watches/pp_009207049039.html?wid=1433363)). Website accessed Dec. 6, 2019.

Fitbit Versa Smartwatch and Activity Tracker with Classic Band for sale at HSN (<https://www.hsn.com/products/fitbit-versa-smartwatch-and-activity-tracker-with-class/8688605>). Website accessed Dec. 6, 2019.

Fitbit Versa Smartwatch for sale at kohls.com (<https://www.kohls.com/product/prd-3296179/fitbit-versa-smart-fitness-watch-non-nfc.jsp>). Website accessed Dec. 6, 2019.

Princeton University 18mm NATO Watch Strap with Silver Fittings for sale at Smart Turnout (<https://smartturnout.com/university-watchstrap-princeton-university/>). Website accessed Dec. 6, 2019.

Fitbit Ace 2 activity tracker for kids 6+, for sale at fitbit.com (<https://www.fitbit.com/us/products/trackers/ace2?sku=414BKBU>). Website accessed Jan. 2020.

U.S. Appl. No. 29/706,974, filed Sep. 25, 2019, applicant Fitbit, Inc.

U.S. Appl. No. 29/712,115, filed Nov. 5, 2019, applicant Fitbit, Inc.

U.S. Appl. No. 29/710,723, filed Oct. 25, 2019, applicant Fitbit, Inc.

U.S. Appl. No. 29/7635,224, filed Jan. 29, 2018, applicant Fitbit, Inc.

U.S. Appl. No. 29/721,845, filed Jan. 23, 2020, applicant Fitbit, Inc.

U.S. Appl. No. 29/721,870, filed Jan. 23, 2020, applicant Fitbit, Inc.

U.S. Appl. No. 29/722,312, filed Jan. 28, 2020, applicant Fitbit, Inc.

U.S. Appl. No. 29/722,314, filed Jan. 28, 2020, applicant Fitbit, Inc.

U.S. Appl. No. 29/645,397, filed Apr. 25, 2018, applicant Fitbit, Inc.

U.S. Appl. No. 29/708,648, filed Oct. 8, 2019, applicant Fitbit, Inc.

U.S. Appl. No. 29/707,456, filed Sep. 27, 2019, applicant Fitbit, Inc.

U.S. Appl. No. 29/711,032, filed Oct. 28, 2019, applicant Fitbit, Inc.

U.S. Appl. No. 29/671,144, filed Nov. 24, 2018, applicant Fitbit, Inc.

U.S. Appl. No. 29/669,190, filed Nov. 6, 2018, applicant Fitbit, Inc.

U.S. Appl. No. 29/702,572, filed Aug. 20, 2019, applicant Fitbit, Inc.

U.S. Appl. No. 29/702,946, filed Aug. 22, 2019, applicant Fitbit, Inc.

U.S. Appl. No. 29/702,703, filed Aug. 21, 2019, applicant Fitbit, Inc.

U.S. Appl. No. 29/688,946, filed Apr. 25, 2019, applicant Fitbit, Inc.

U.S. Appl. No. 29/702,397, filed Aug. 19, 2019, applicant Fitbit, Inc.

U.S. Appl. No. 29/705,182, filed Sep. 10, 2019, applicant Fitbit, Inc.

U.S. Appl. No. 29/656,638, filed Jul. 13, 2018, applicant Fitbit, Inc.

U.S. Appl. No. 29/725,313, filed Feb. 24, 2020, applicant Fitbit, Inc.

U.S. Appl. No. 29/725,314, filed Feb. 24, 2020, applicant Fitbit, Inc.

\* cited by examiner

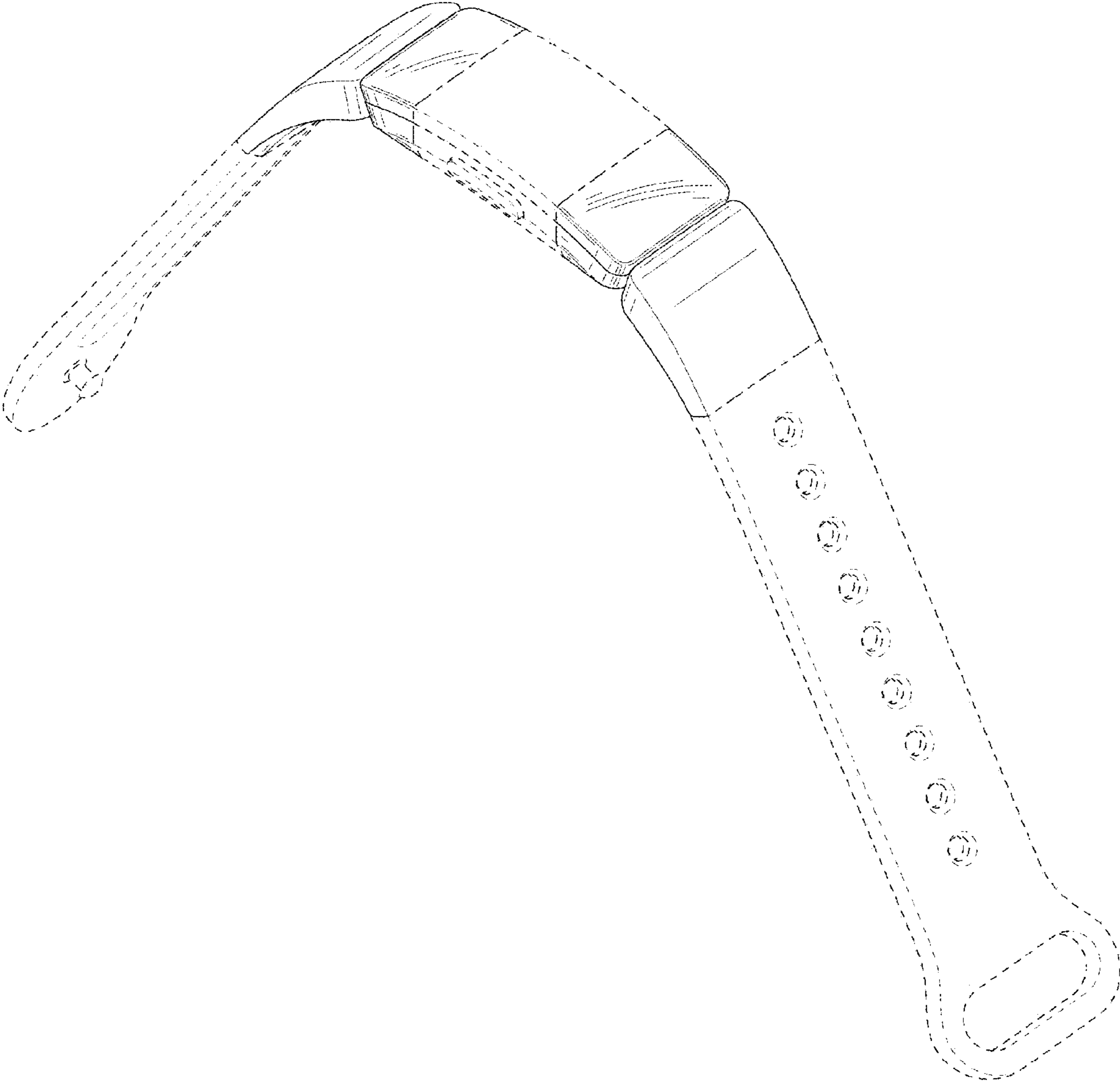


FIG. 1

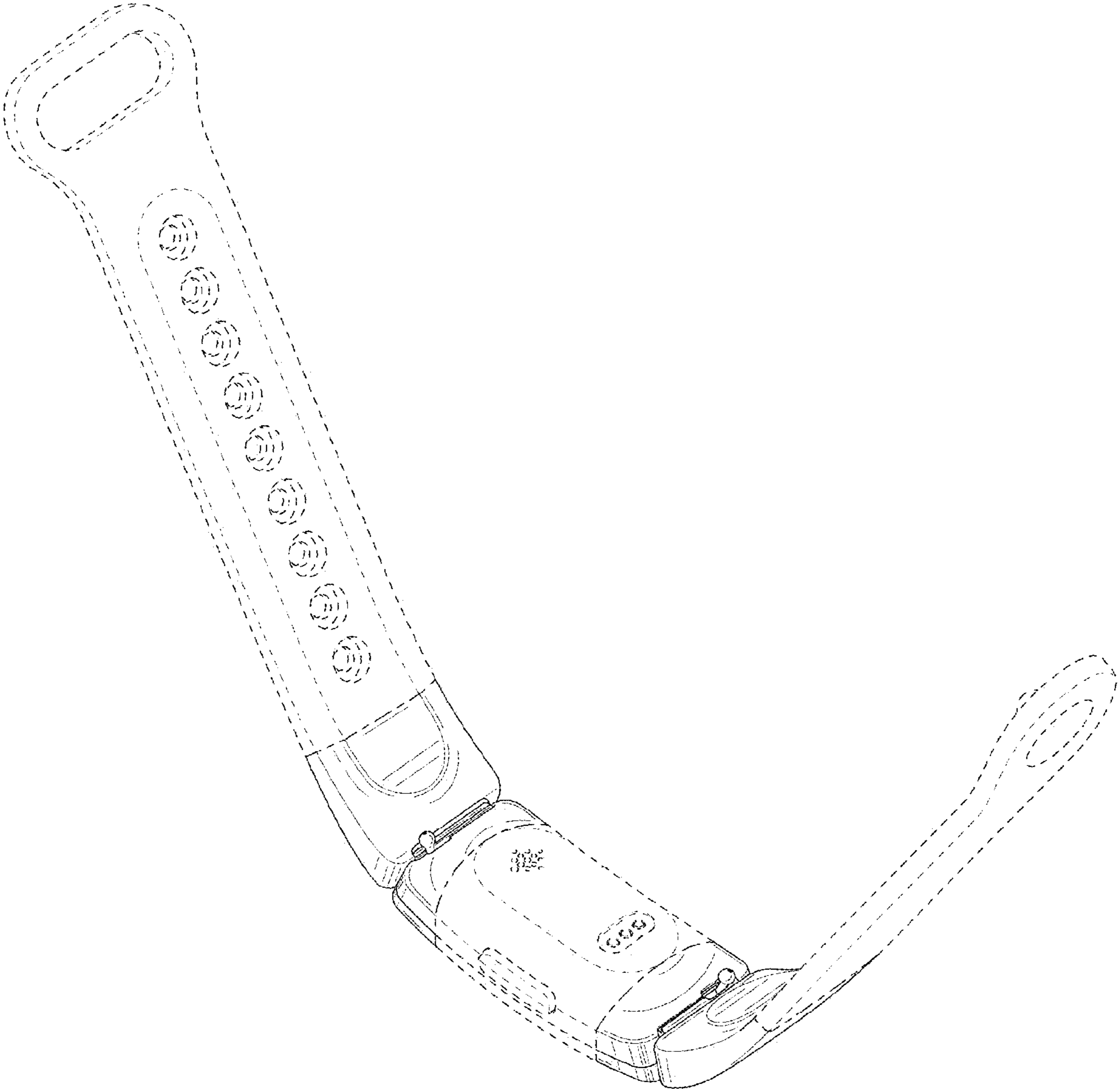


FIG. 2

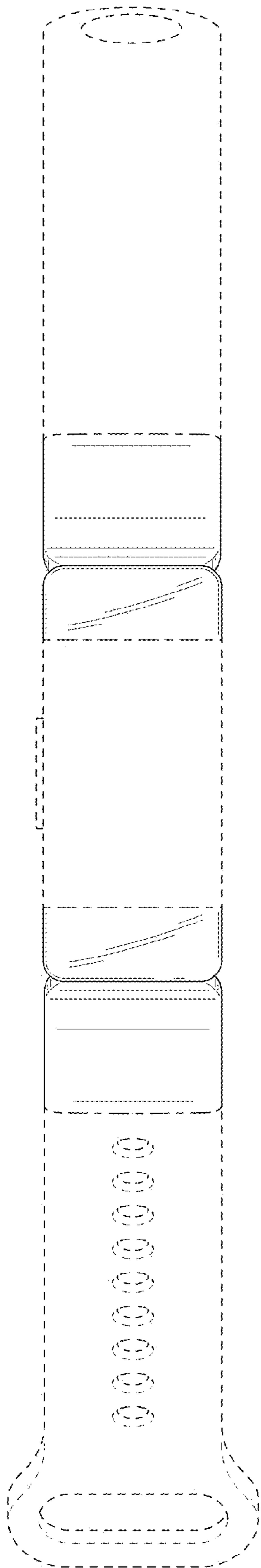


FIG. 3

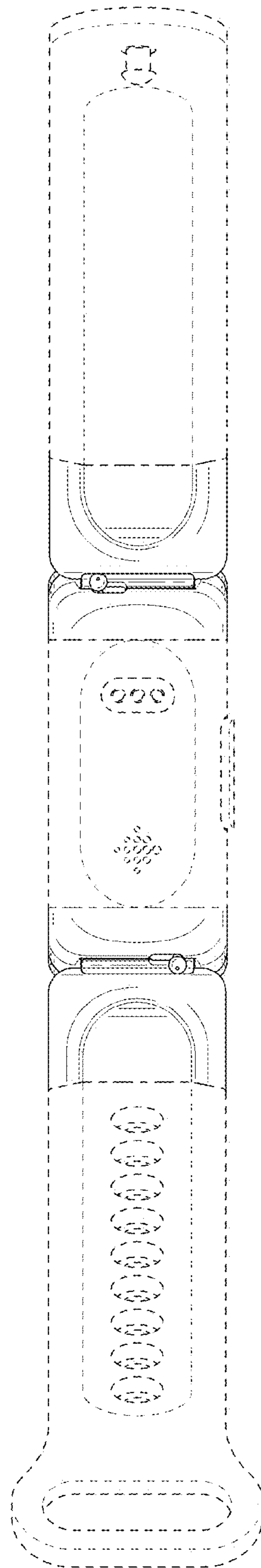


FIG. 4

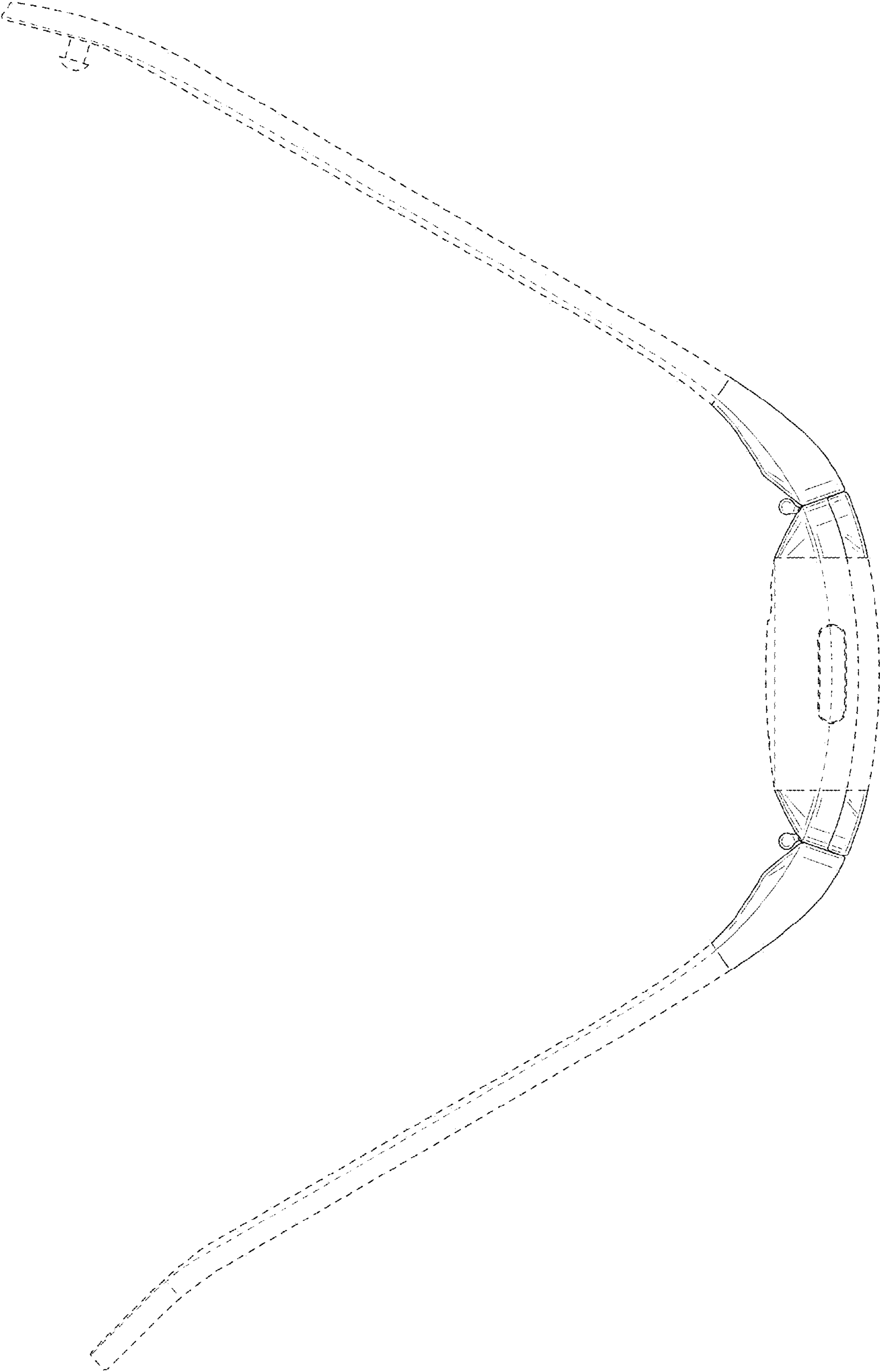


FIG. 5

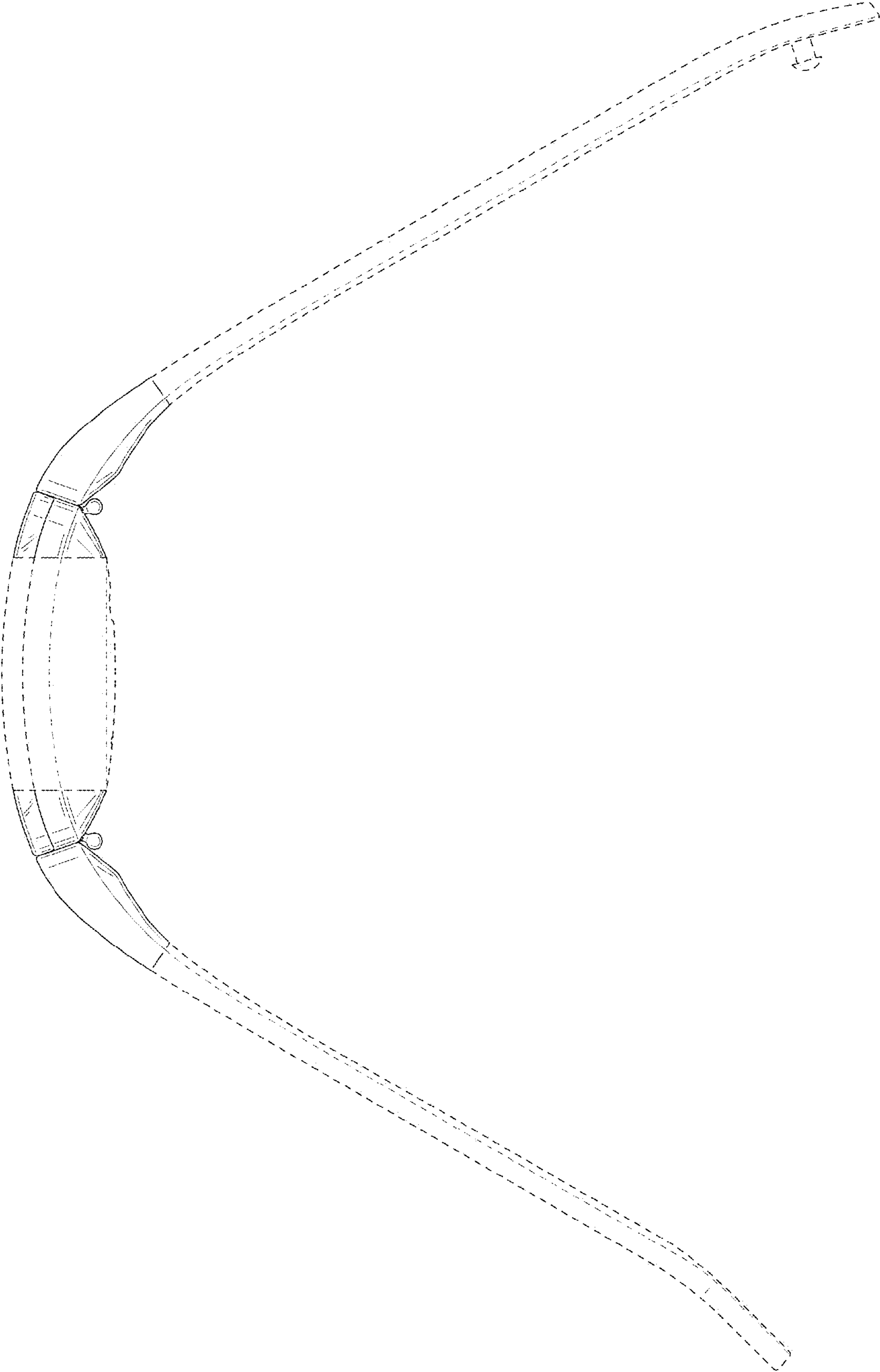


FIG. 6



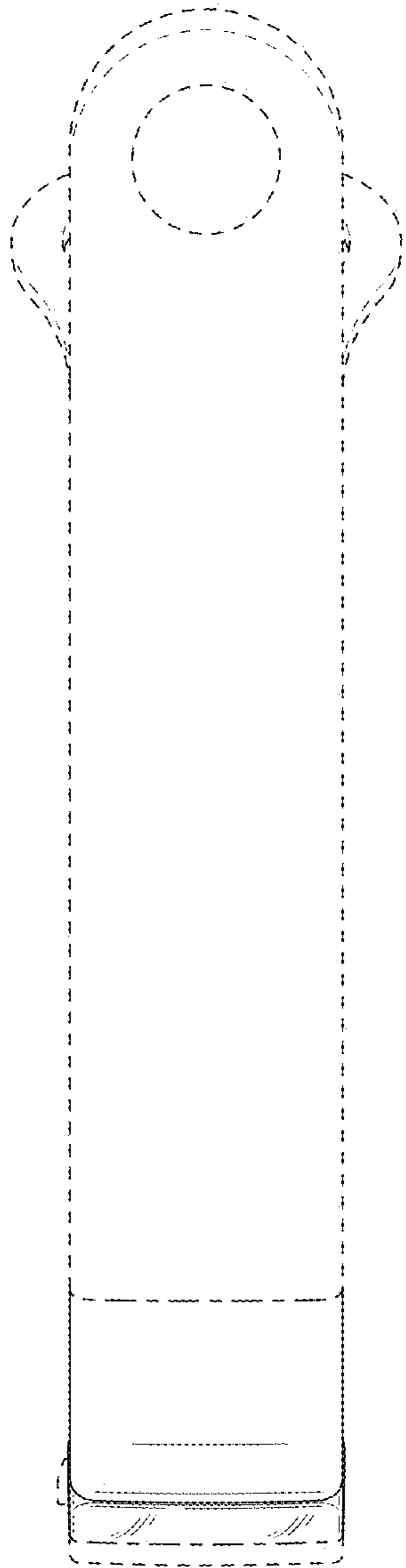


FIG. 7

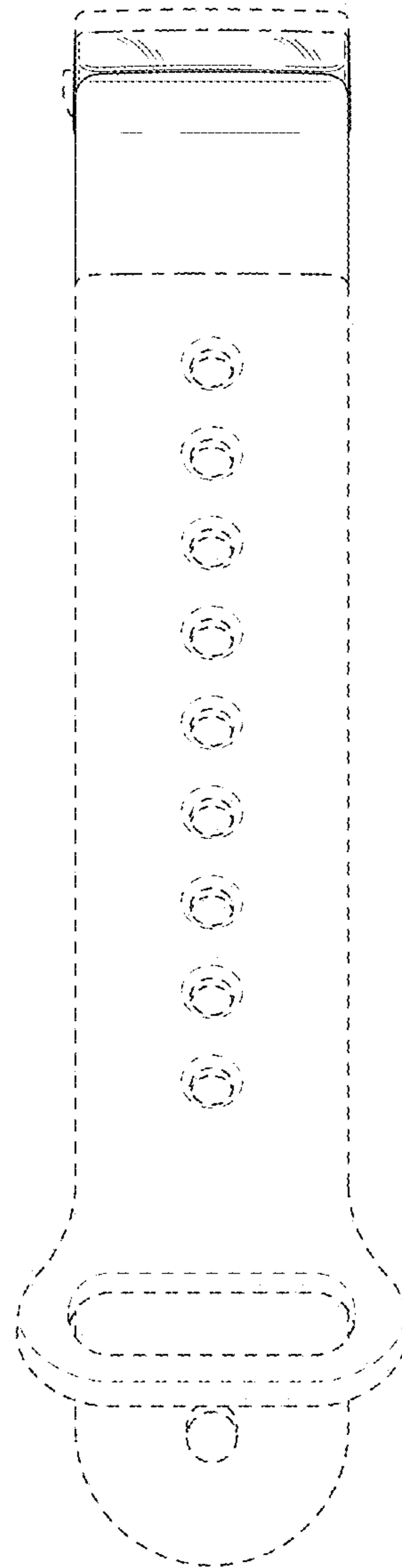


FIG. 8

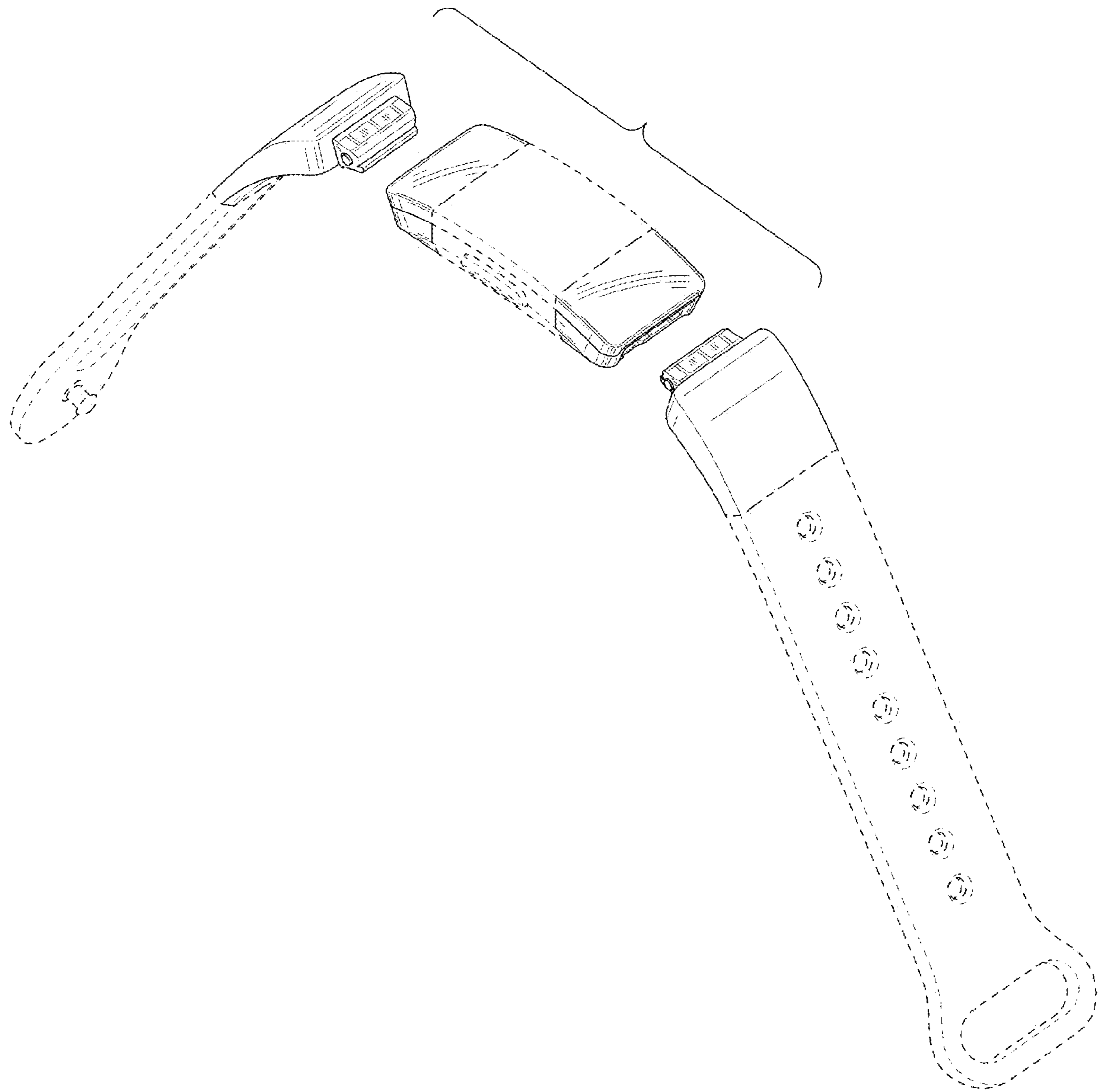


FIG. 9

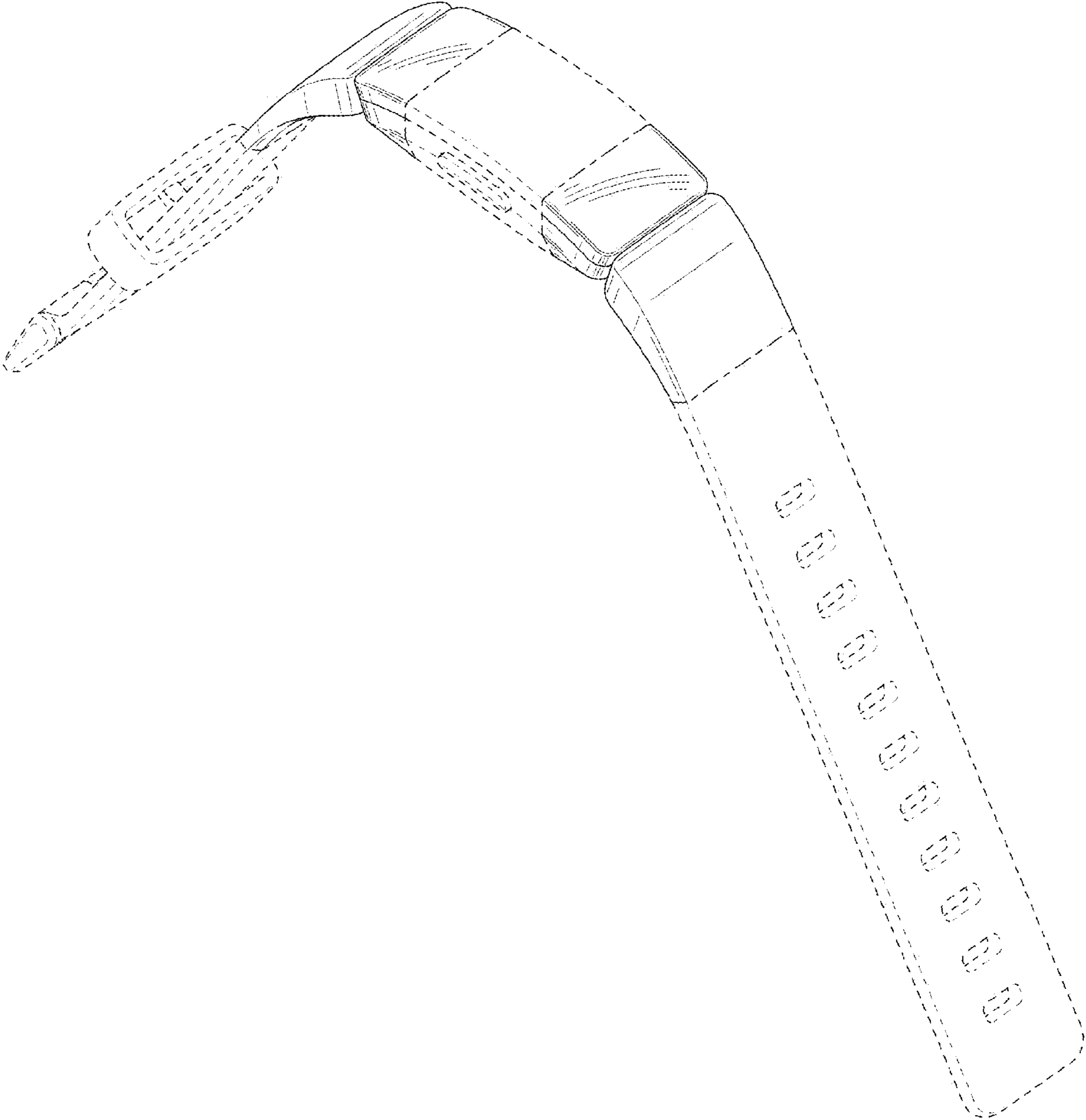


FIG. 10

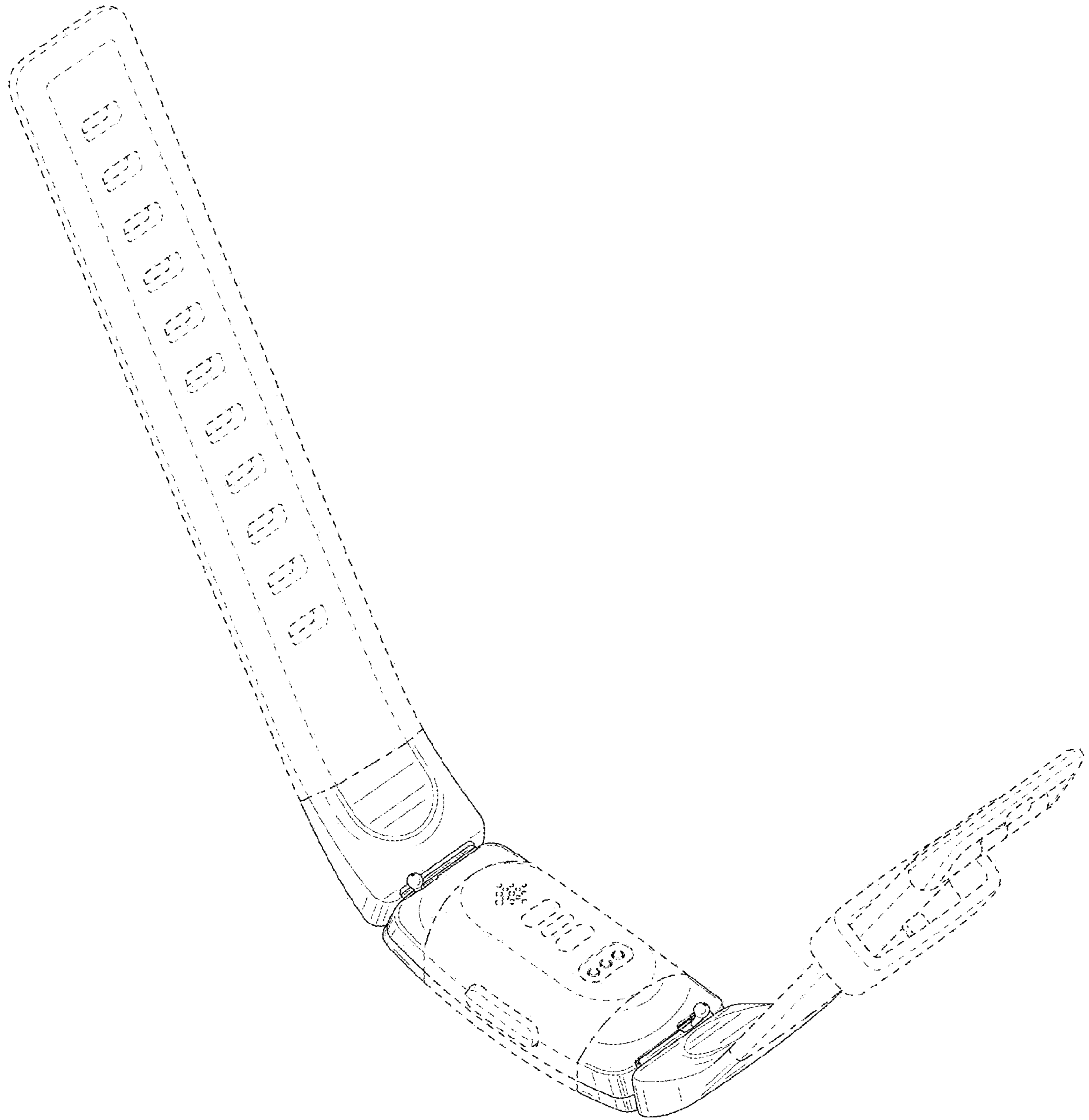


FIG. 11

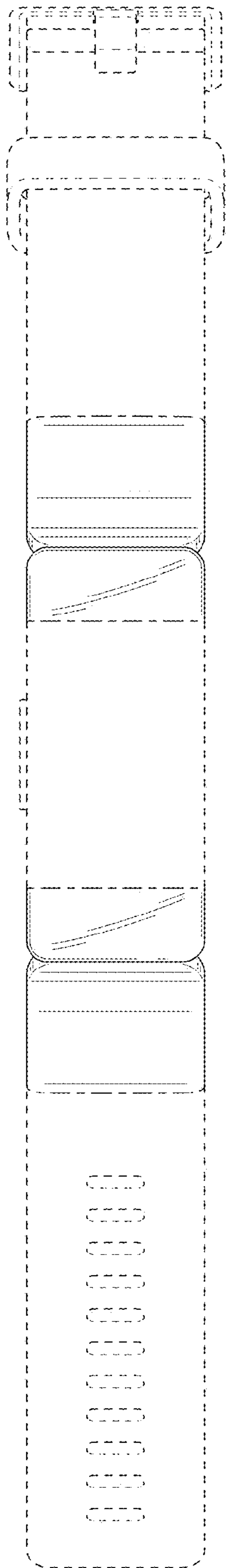


FIG. 12

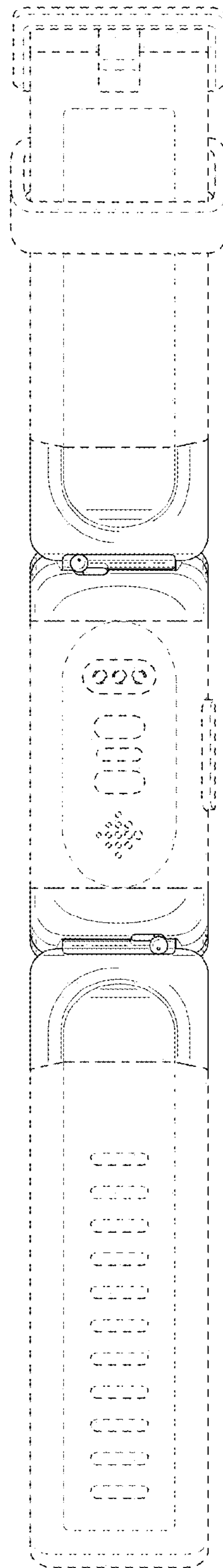


FIG. 13

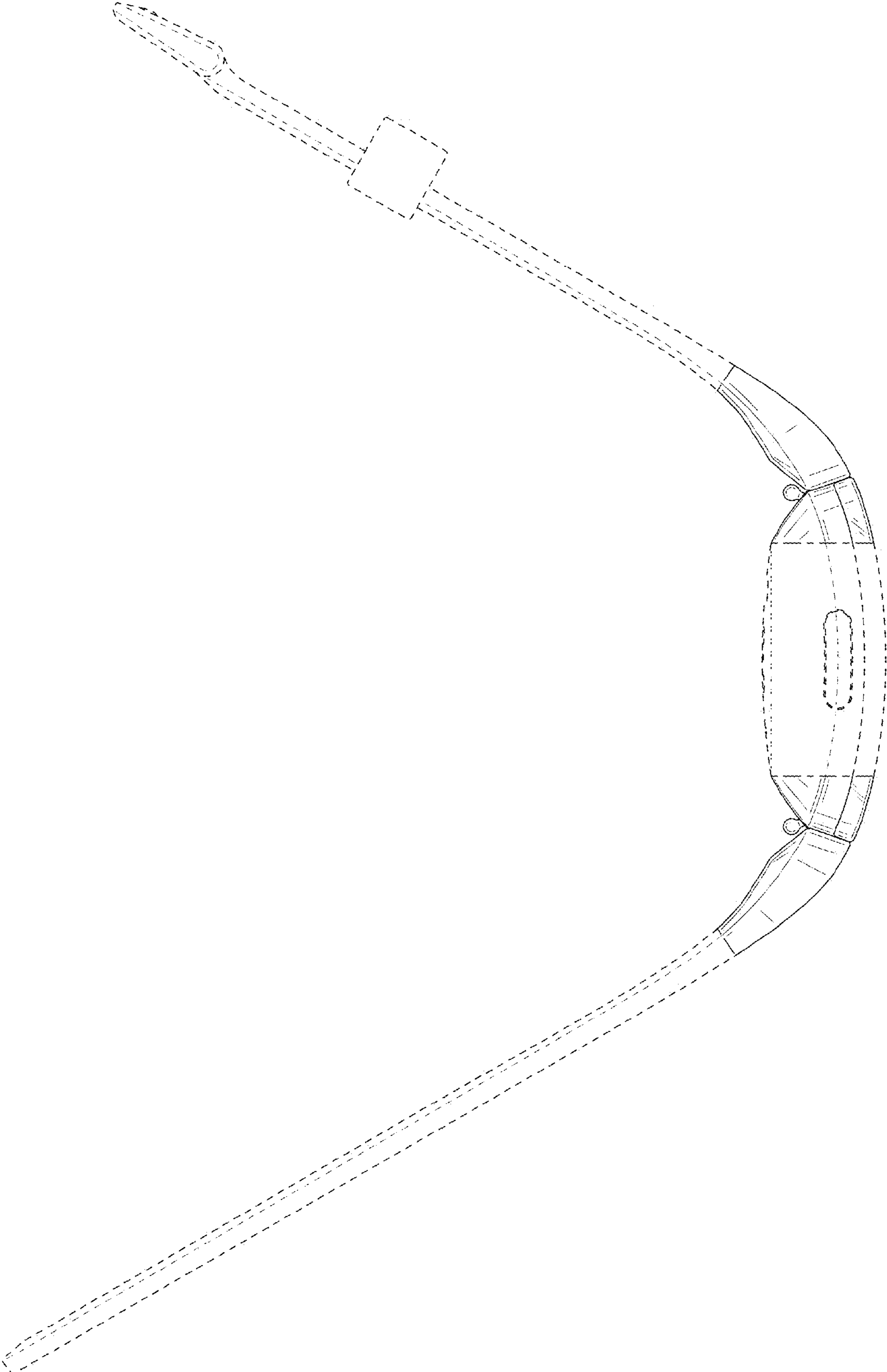


FIG. 14

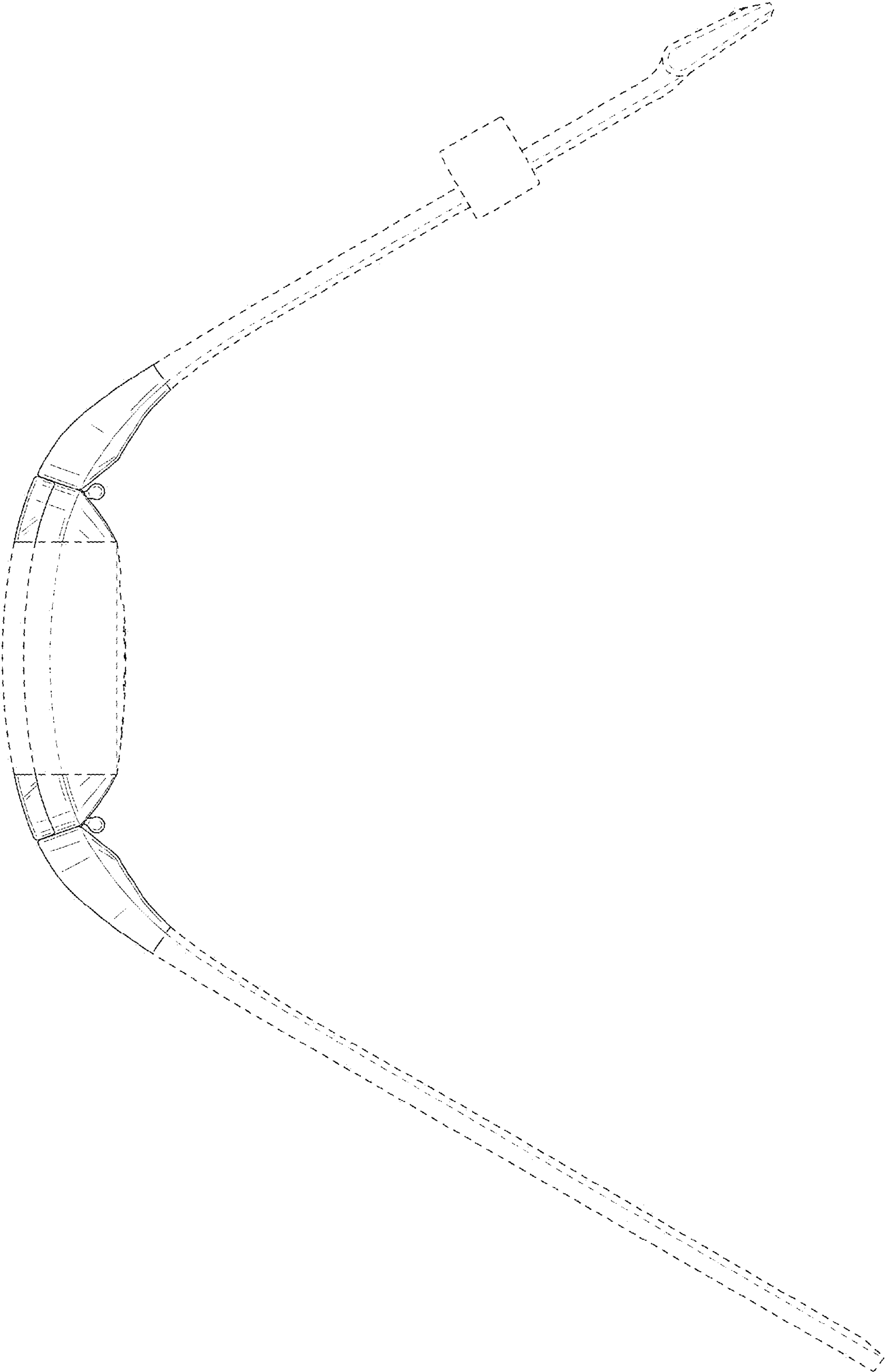


FIG. 15

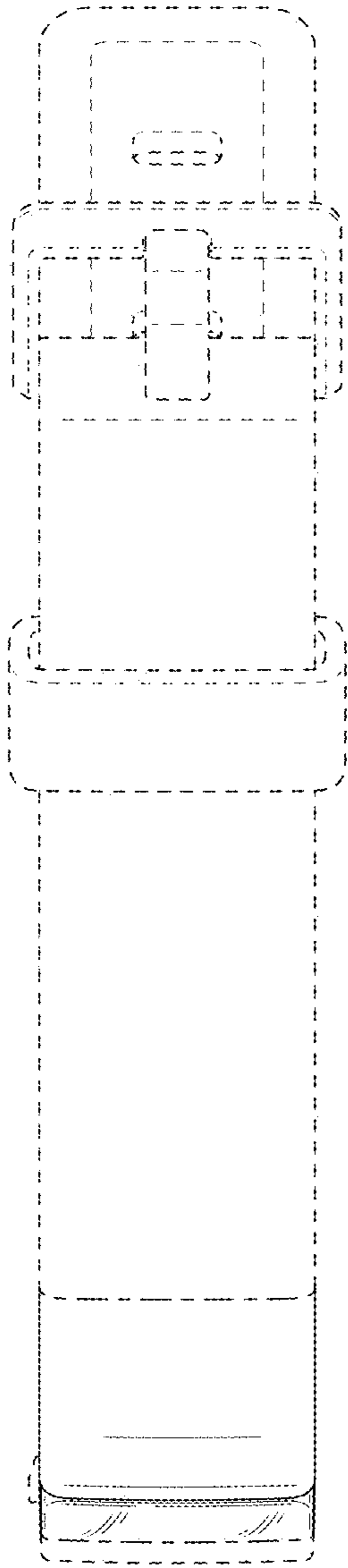


FIG. 16

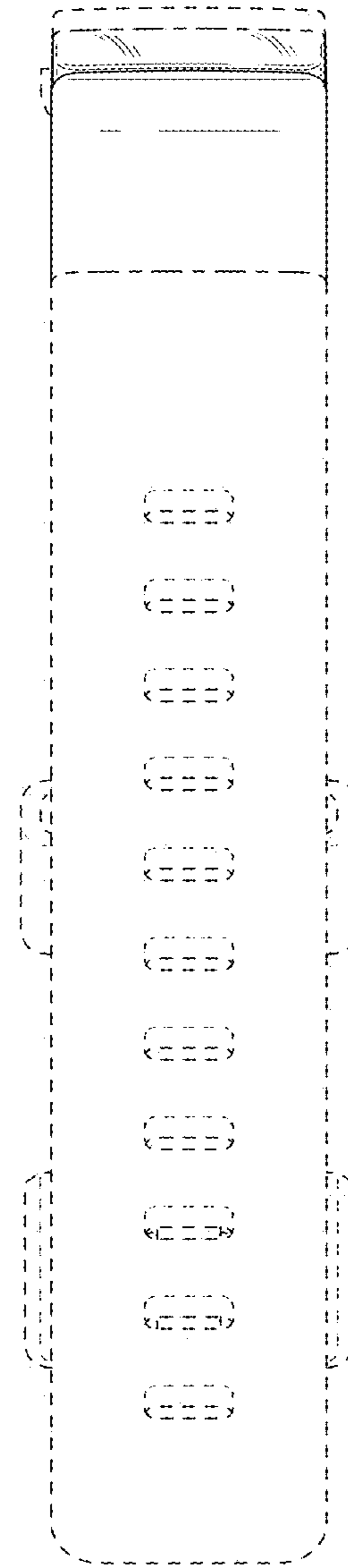


FIG. 17



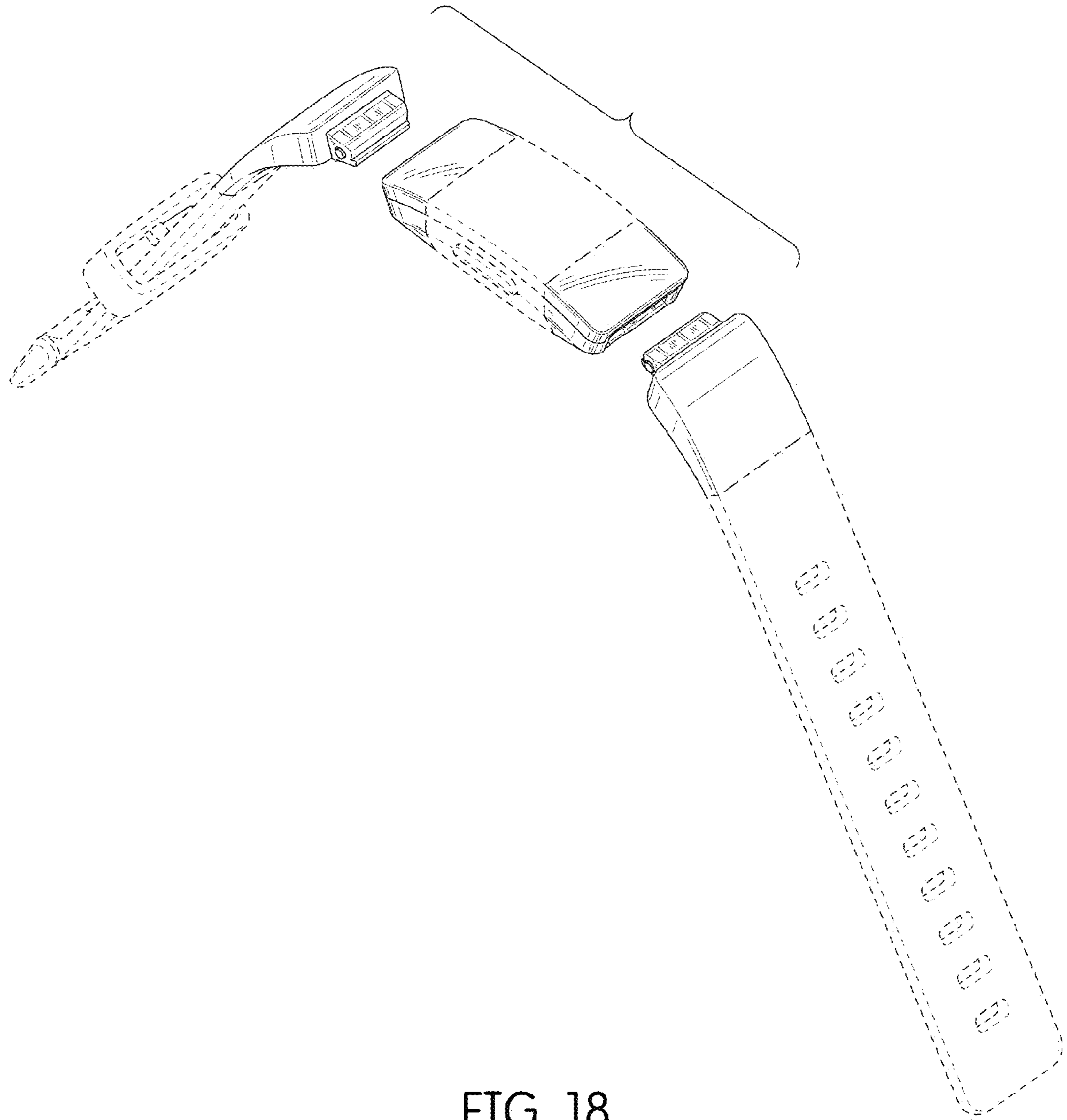


FIG. 18