



US00D886095S

(12) **United States Design Patent**
Nakagawa

(10) **Patent No.:** **US D886,095 S**

(45) **Date of Patent:** **** Jun. 2, 2020**

(54) **RADIO COMMUNICATION DEVICE**

(71) Applicant: **ICOM INCORPORATED**, Osaka-shi,
Osaka (JP)

(72) Inventor: **Masashi Nakagawa**, Osaka (JP)

(73) Assignee: **ICOM INCORPORATED**, Osaka-Shi
(JP)

(**) Term: **15 Years**

(21) Appl. No.: **29/668,400**

(22) Filed: **Oct. 30, 2018**

(30) **Foreign Application Priority Data**

Jun. 29, 2018 (JP) D2018-014420

(51) **LOC (12) Cl.** **14-03**

(52) **U.S. Cl.**
USPC **D14/258; D14/137**

(58) **Field of Classification Search**
USPC D12/192, 195, 415, 420; D14/496,
D14/498-511, 137, 154, 157, 168-171,
D14/188-198, 257-258; 248/27.1, 27.3,
248/558; 455/347, 350
CPC B60R 11/02; B60K 37/04; B60K 37/06
See application file for complete search history.

(56) **References Cited**

U.S. PATENT DOCUMENTS

D327,262 S * 6/1992 Goatman D14/137
D364,877 S * 12/1995 Tokiyama D14/137
D532,007 S * 11/2006 Park D14/258
D601,999 S * 10/2009 Onoue D14/188
D678,265 S * 3/2013 Tran D14/258

D678,266 S * 3/2013 Tran D14/258
D727,306 S * 4/2015 Yong D14/188
D745,487 S * 12/2015 Moriya D14/258
D771,618 S * 11/2016 Nishida D14/258
D777,721 S * 1/2017 Moriya D14/258
D808,921 S * 1/2018 Nishizawa D14/198
D874,424 S * 2/2020 Nakagawa D14/188

FOREIGN PATENT DOCUMENTS

JP D1454310 S 11/2012

* cited by examiner

Primary Examiner — Sandra L Morris

(74) *Attorney, Agent, or Firm* — Birch, Stewart, Kolasch
& Birch, LLP

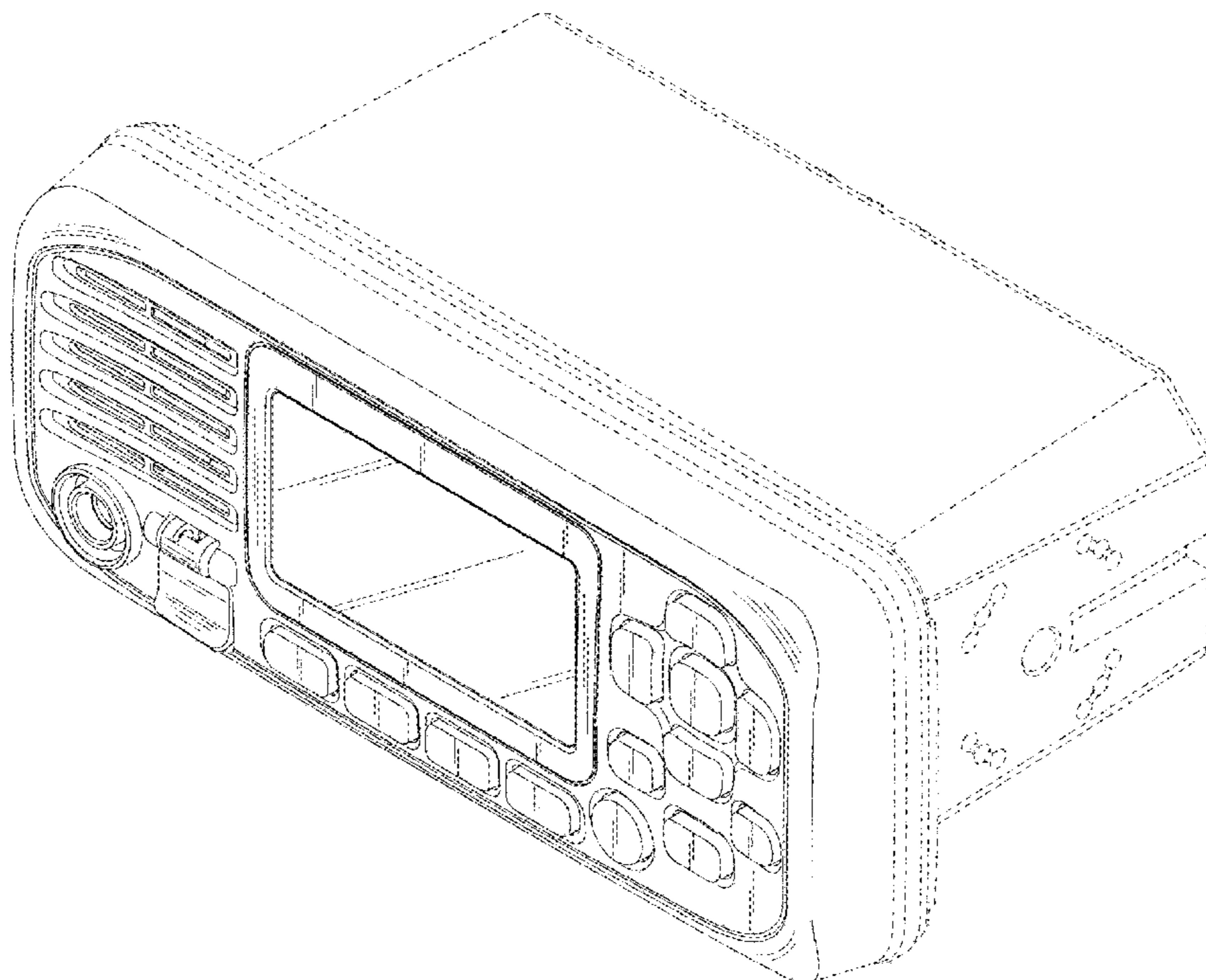
(57) **CLAIM**

The ornamental design for a radio communication device, as shown and described.

DESCRIPTION

FIG. 1 is a perspective view of the radio communication device;
FIG. 2 is a front view of the radio communication device;
FIG. 3 is a rear view of the radio communication device;
FIG. 4 is a left side view of the radio communication device;
FIG. 5 is a right side view of the radio communication device;
FIG. 6 is a top view of the radio communication device; and,
FIG. 7 is a bottom view of the radio communication device.
The broken lines depict portions of the radio communication device in which the design is embodied that are not considered part of the claimed design.

1 Claim, 7 Drawing Sheets



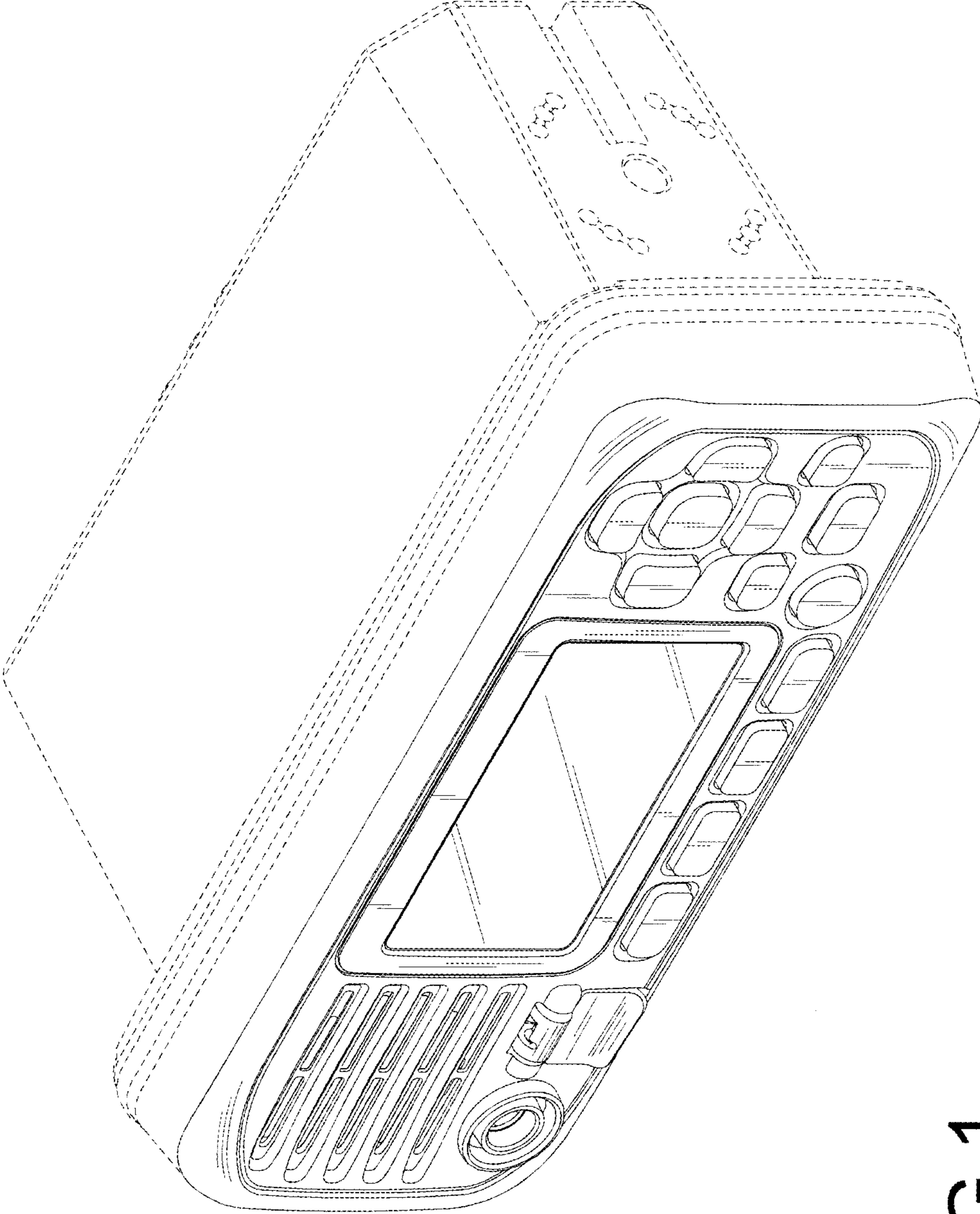


FIG.1

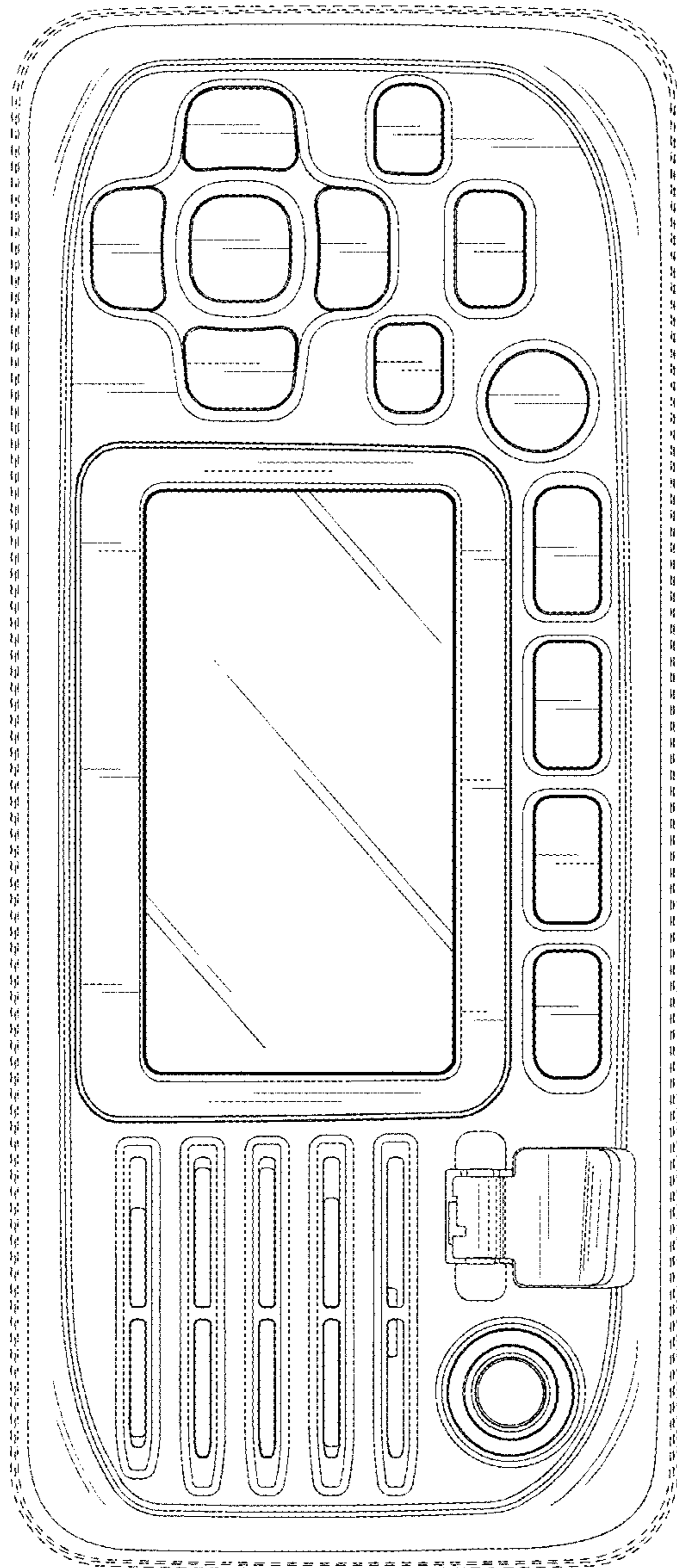


FIG. 2

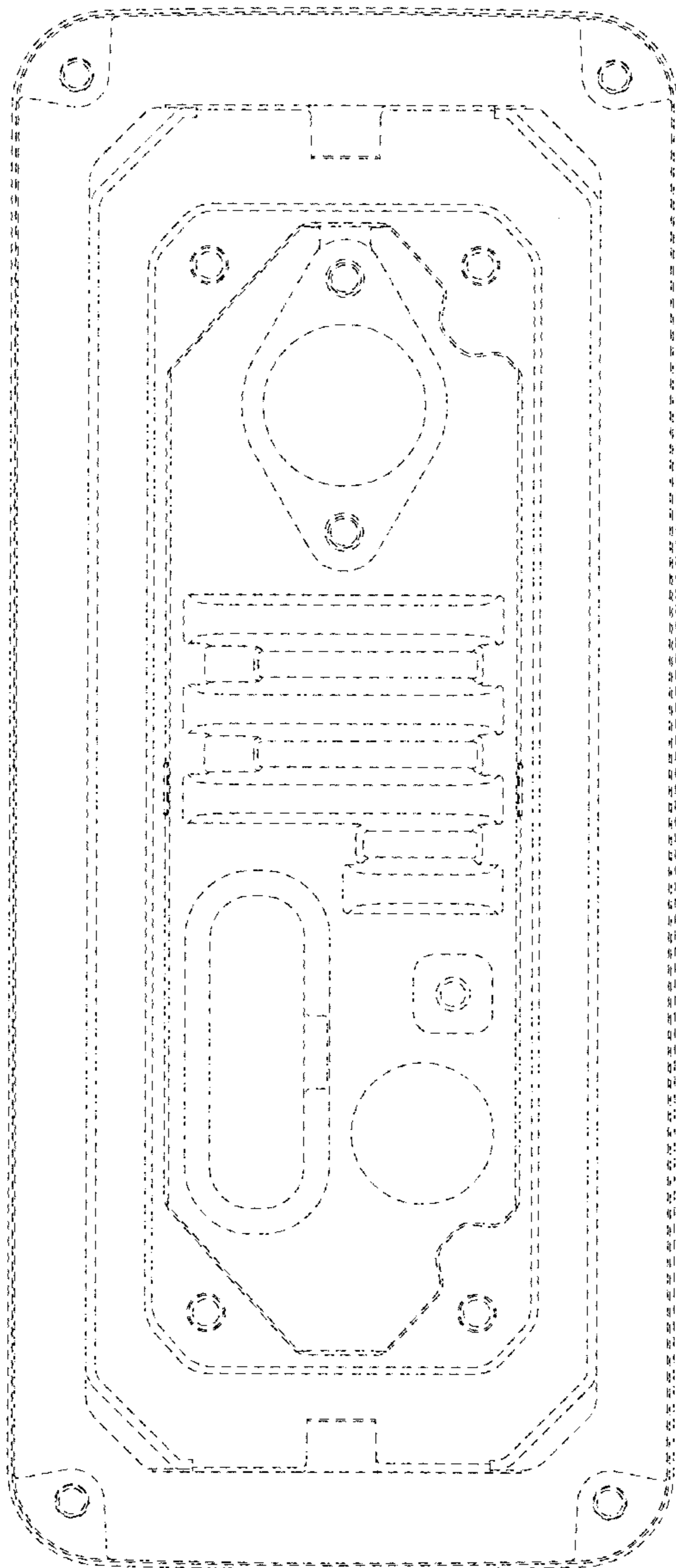


FIG. 3

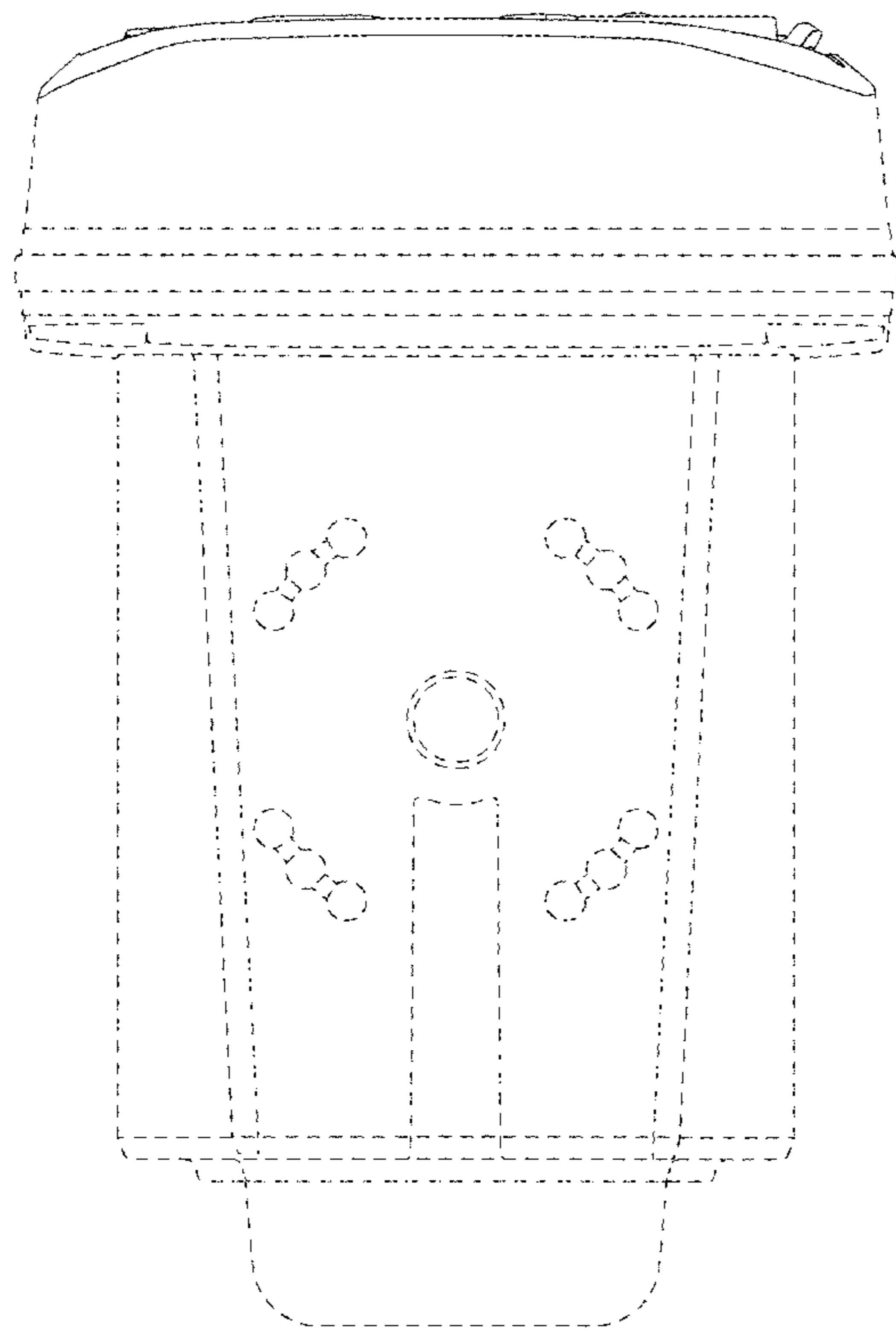


FIG.4

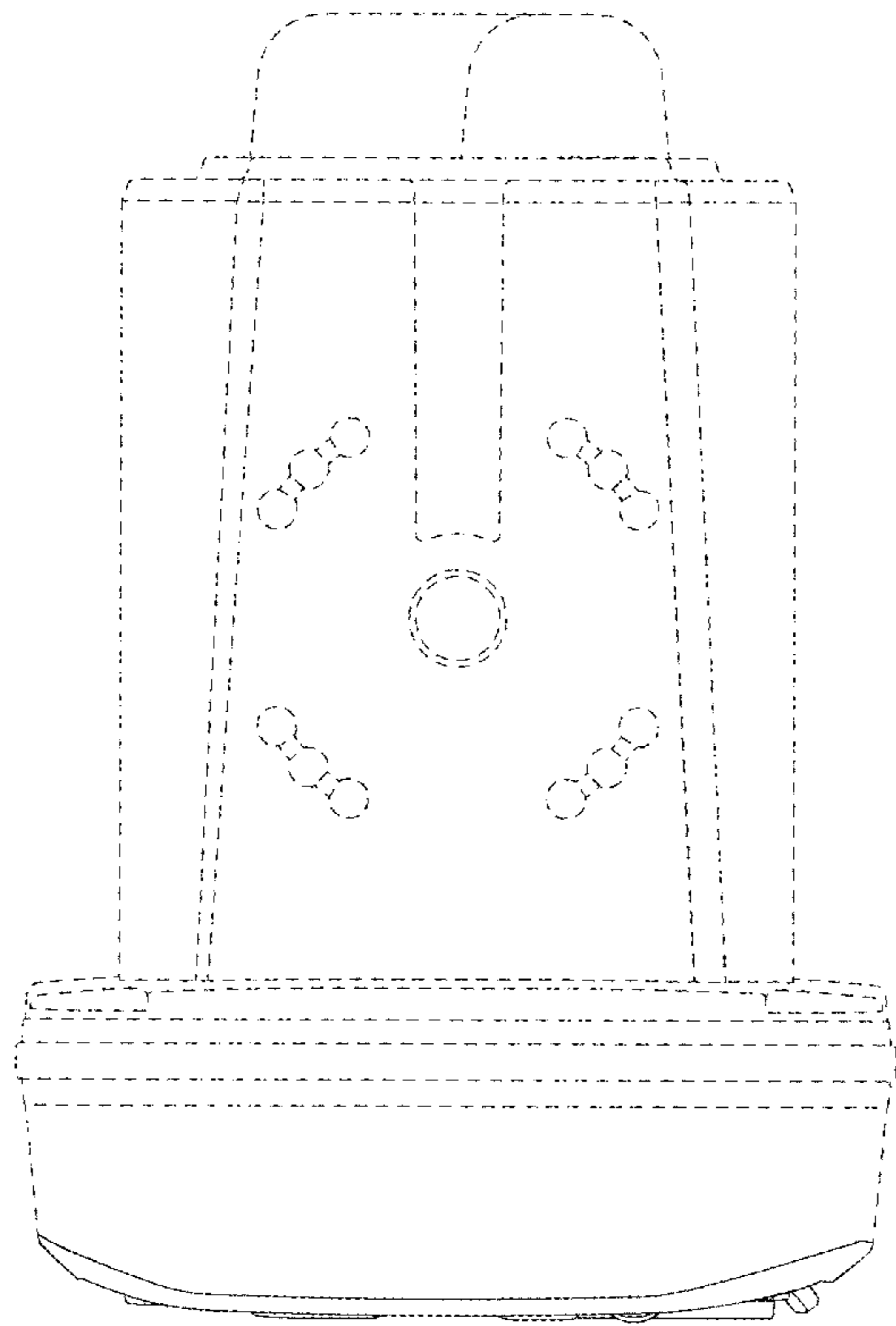


FIG. 5

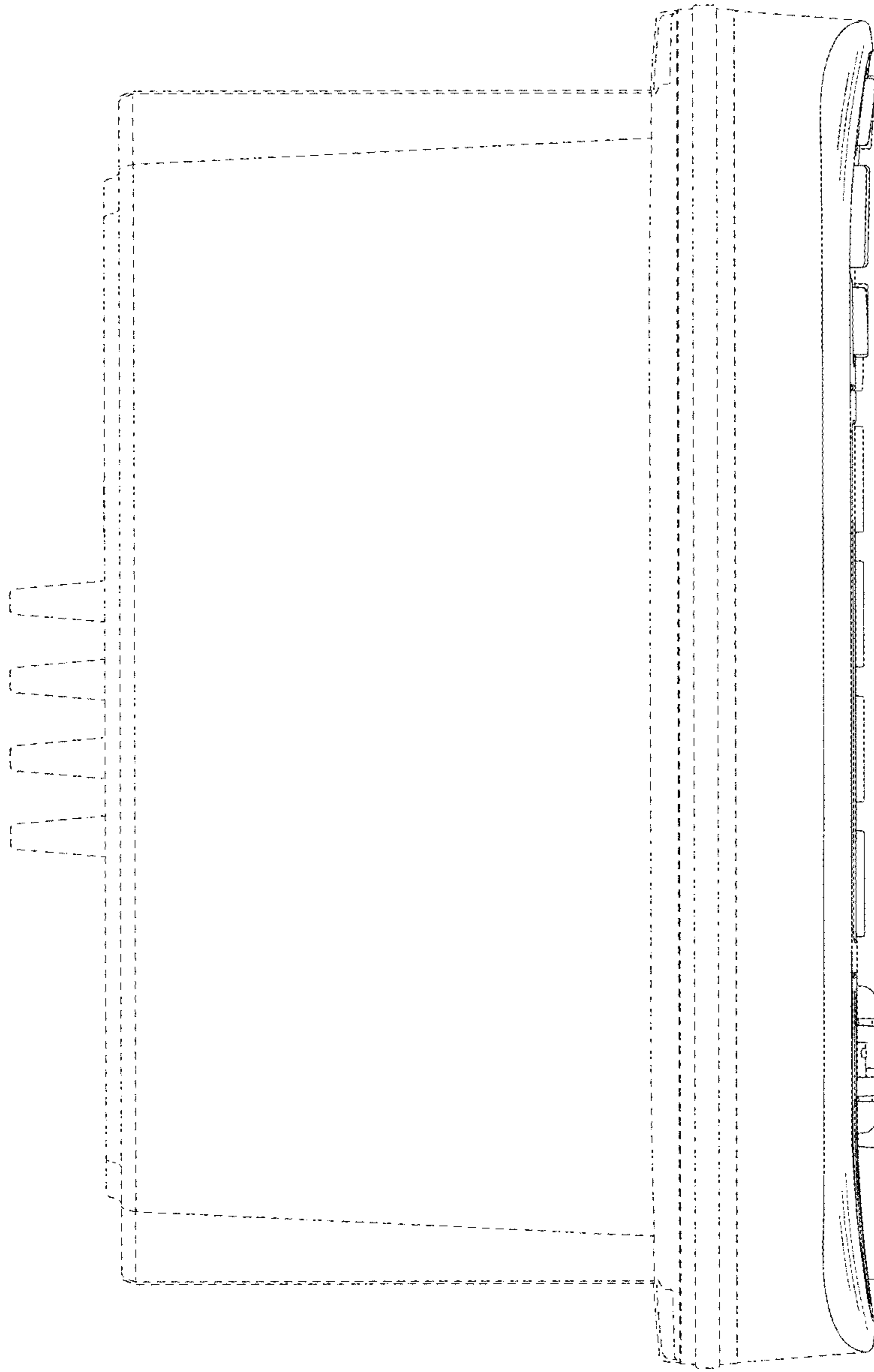


FIG.6

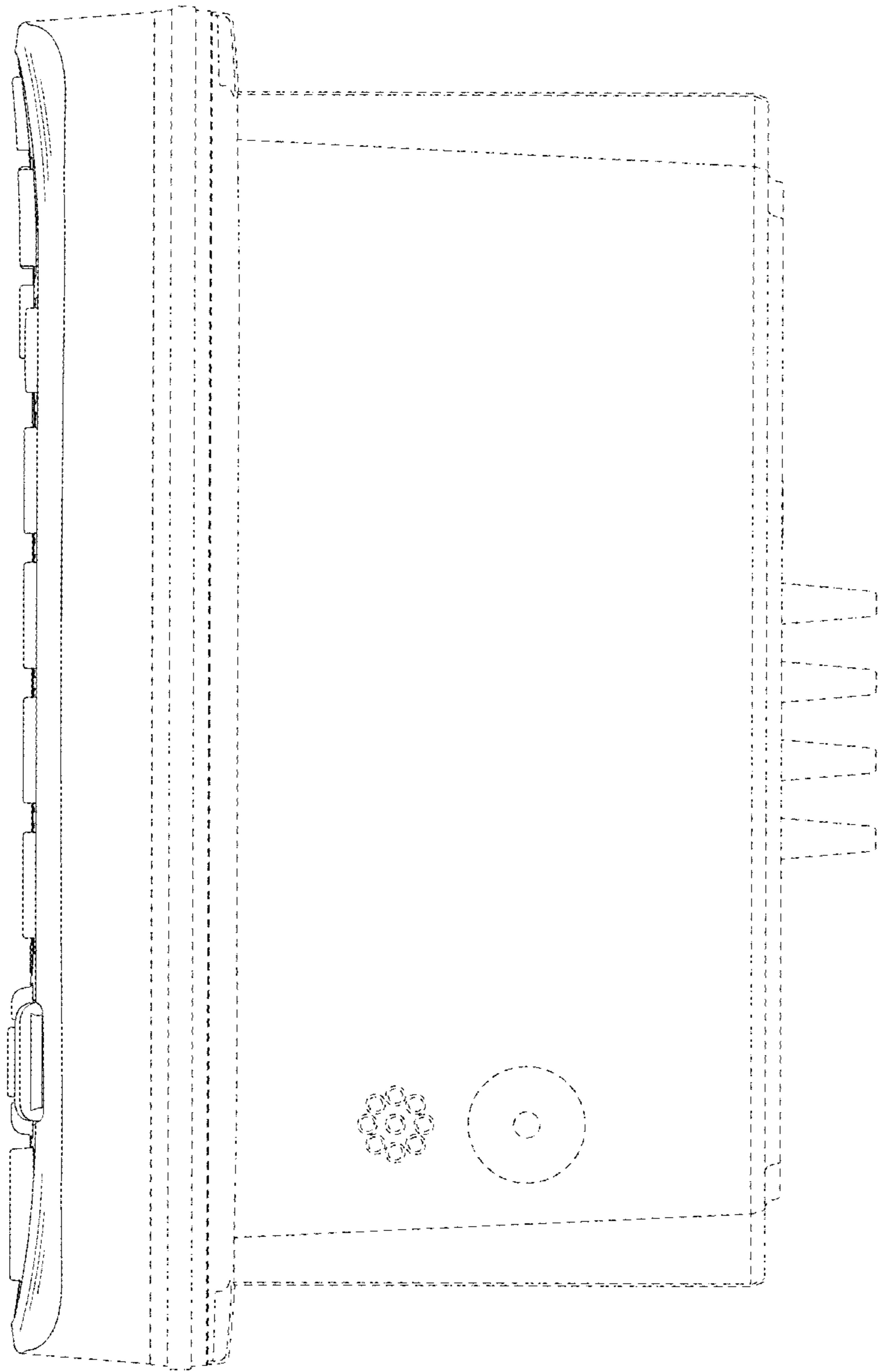


FIG.7