



US00D886093S

(12) **United States Design Patent**  
**Dubanowich**

(10) **Patent No.:** **US D886,093 S**

(45) **Date of Patent:** **\*\* Jun. 2, 2020**

(54) **MOBILE DEVICE STAND AND CORD  
HOLDER COMBINATION**

(71) Applicant: **Jesse Dubanowich**, Rockaway, NJ (US)

(72) Inventor: **Jesse Dubanowich**, Rockaway, NJ (US)

(73) Assignee: **Jesse Dubanowich**, Rockaway, NJ (US)

(\*\*) Term: **15 Years**

(21) Appl. No.: **29/679,797**

(22) Filed: **Feb. 10, 2019**

(51) **LOC (12) Cl.** ..... **23-04**

(52) **U.S. Cl.**  
USPC ..... **D14/253; D3/218; D8/356**

(58) **Field of Classification Search**  
USPC ..... D14/251-253, 447, 452, 432-434, 440;  
D12/415; D3/218, 144; D8/349, 363,  
D8/356  
CPC ..... H04M 1/02; H04M 1/04; B60R 11/02;  
F16M 11/00; F16M 11/04; F16M 11/06;  
H04R 1/10  
See application file for complete search history.

(56) **References Cited**

**U.S. PATENT DOCUMENTS**

D479,978 S *	9/2003	Watabe .....	D8/356
D629,671 S *	12/2010	Ohori .....	D8/356
D692,293 S *	10/2013	Toscani .....	D8/356
8,560,031 B2 *	10/2013	Barnett .....	F16M 13/00 455/575.8
D697,786 S *	1/2014	McMahon .....	D6/310
D760,172 S *	6/2016	Kaloustian .....	D13/156
D769,234 S *	10/2016	Rami .....	D14/253
D769,859 S *	10/2016	Herbst .....	D14/253
D778,714 S *	2/2017	McSweyn .....	D12/415
D782,286 S *	3/2017	Rothbaum .....	D8/356
D784,978 S *	4/2017	Hobbs .....	D14/253
D794,607 S *	8/2017	Srouf .....	D14/217

D802,506 S *	11/2017	Bargen .....	D12/193
9,813,797 B2 *	11/2017	Abfall .....	B65H 75/143
D825,548 S *	8/2018	Lebovitz .....	D14/253
10,336,570 B2 *	7/2019	Beggs .....	B65H 75/406
D871,894 S *	1/2020	Brett .....	D8/356
D876,425 S *	2/2020	Moore .....	D14/253

(Continued)

*Primary Examiner* — Janice Hallmark

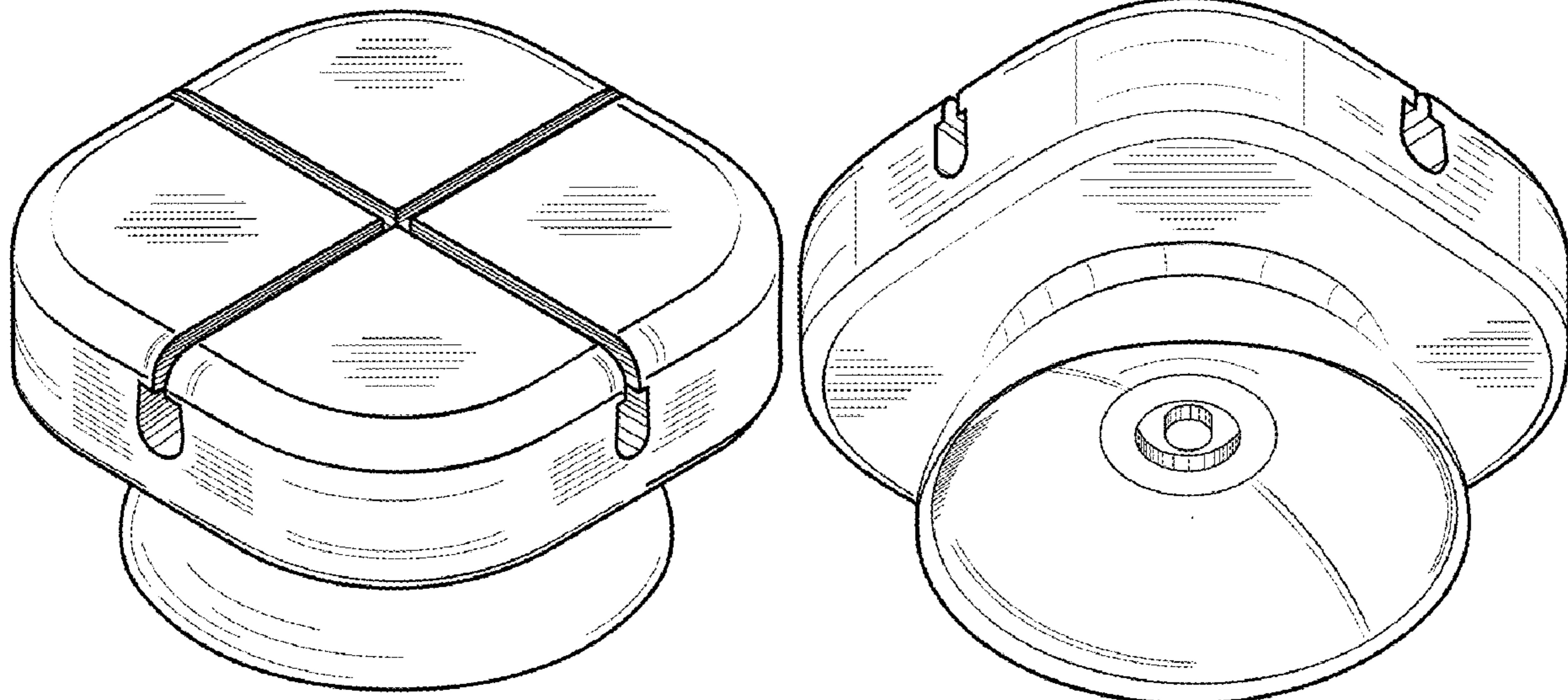
(57) **CLAIM**

The ornamental design for a mobile device stand and cord holder combination, as shown and described.

**DESCRIPTION**

FIG. 1 is an upper perspective view of a mobile device stand and cord holder combination showing my new design;  
 FIG. 2 is a lower perspective view thereof;  
 FIG. 3 is a front view thereof, with the rear view being a mirror image;  
 FIG. 4 is a right side view thereof, with the left side view being a mirror image;  
 FIG. 5 is a top view thereof;  
 FIG. 6 is a bottom view thereof;  
 FIG. 7 is a top perspective view of the mobile device stand and cord holder combination of FIG. 1 shown in a state of use holding a cord atop a surface while the cord is mated to a mobile device;  
 FIG. 8 is another perspective view of the mobile device stand and cord holder combination of FIG. 1 shown in a state of use holding a cord atop a surface; and,  
 FIG. 9 is another perspective view of the mobile device stand and cord holder combination of FIG. 1 shown in a state of use standing a mobile device upright on a surface.  
 The environmental subject matter (mobile devices, cords and surfaces) in the drawings shown in broken line is for illustrative purposes only and forms no part of the claimed design.

**1 Claim, 6 Drawing Sheets**



(56)

**References Cited**

U.S. PATENT DOCUMENTS

2019/0089822 A1\* 3/2019 Gartz ..... F16M 11/105  
2019/0178438 A1\* 6/2019 Liang ..... F16M 11/04

\* cited by examiner

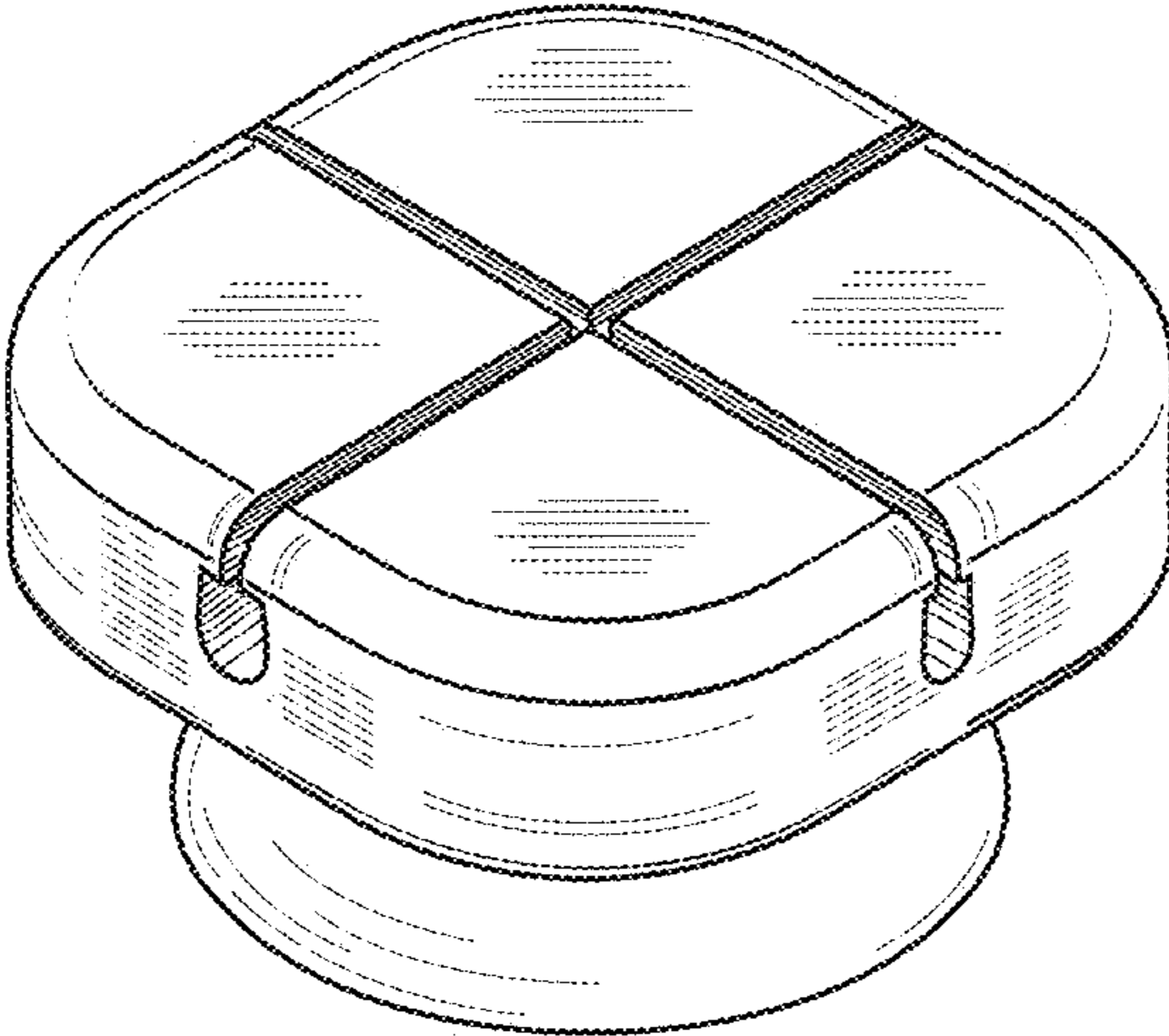


FIG. 1

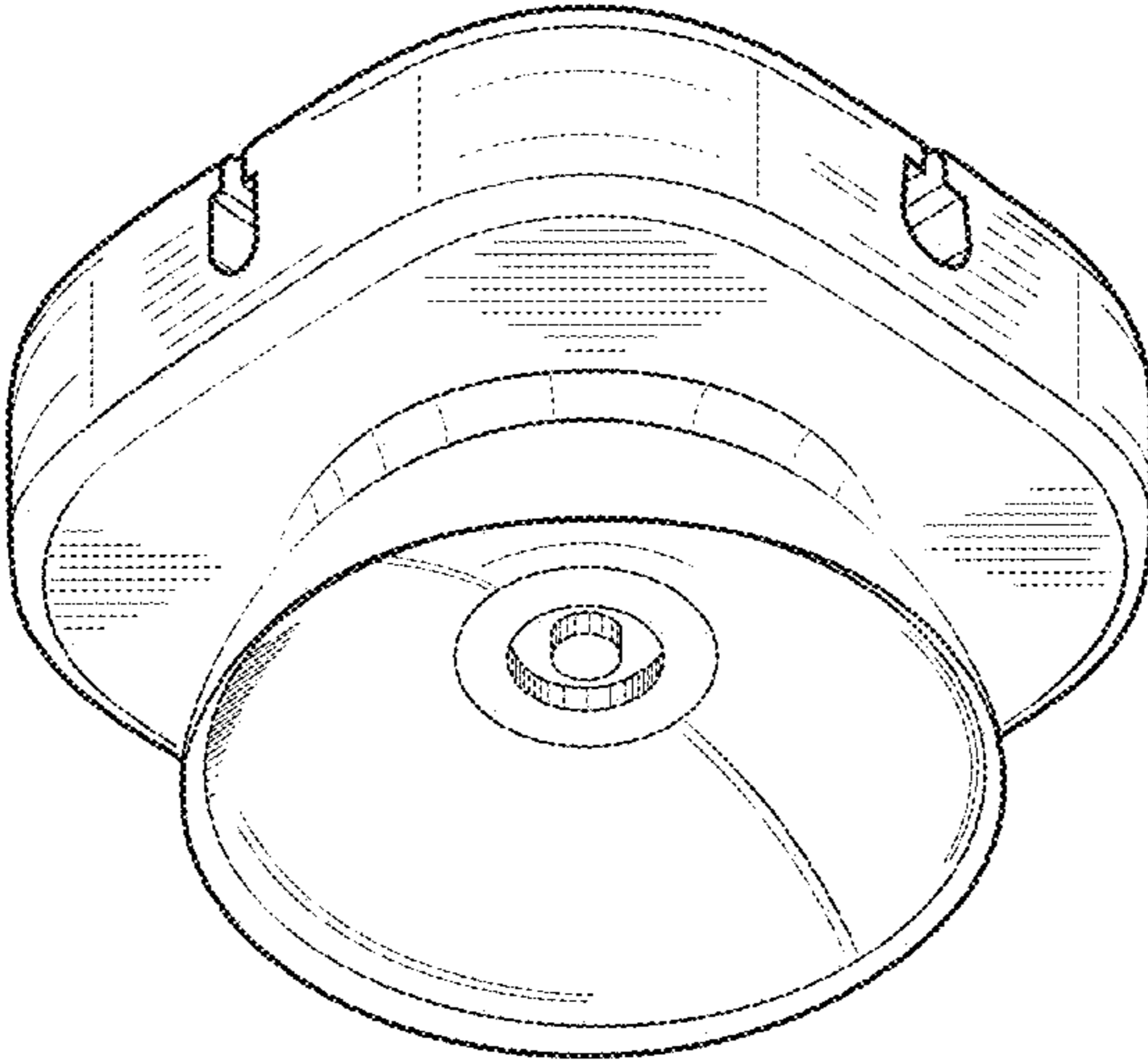


FIG. 2

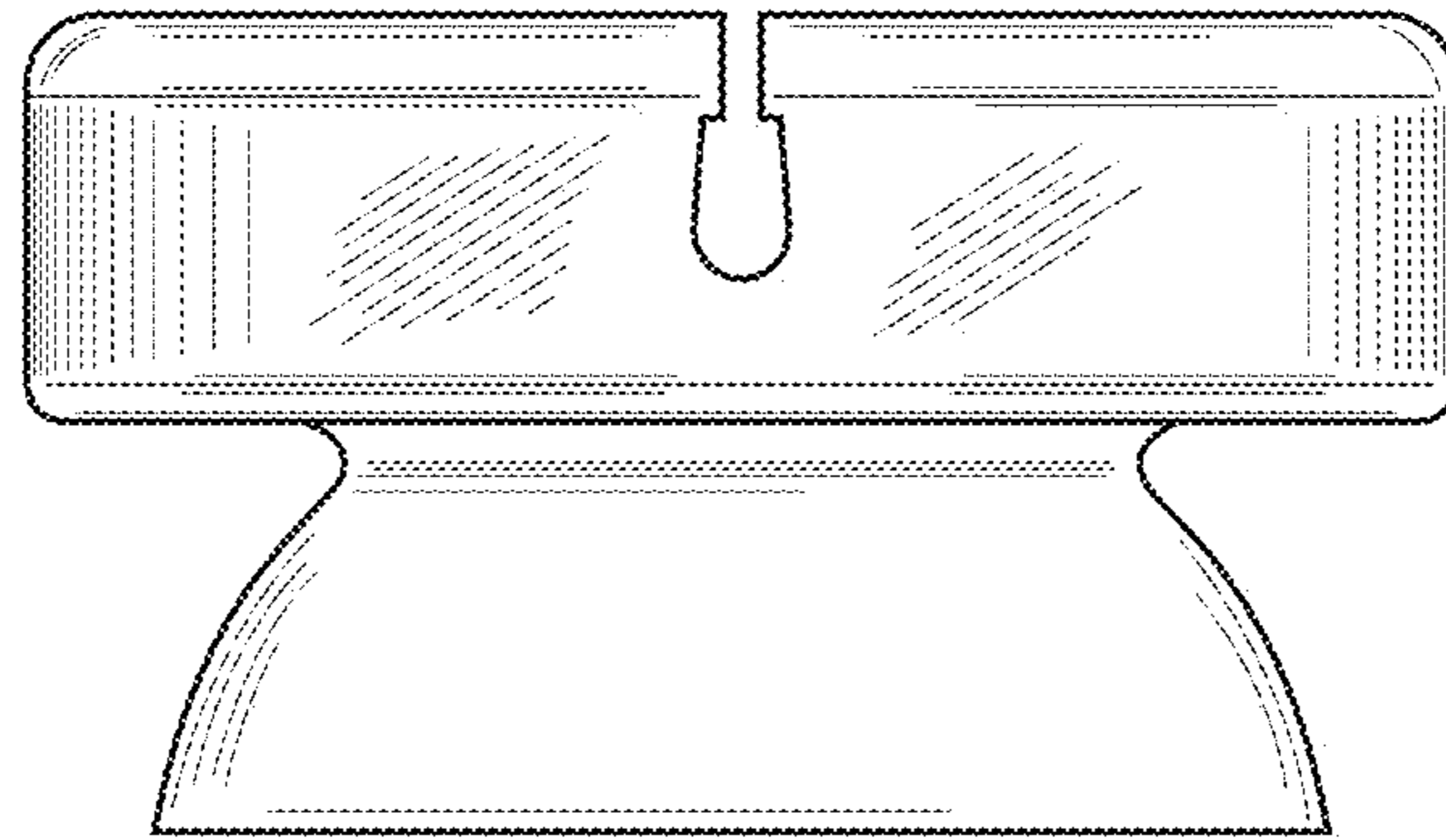


FIG. 3

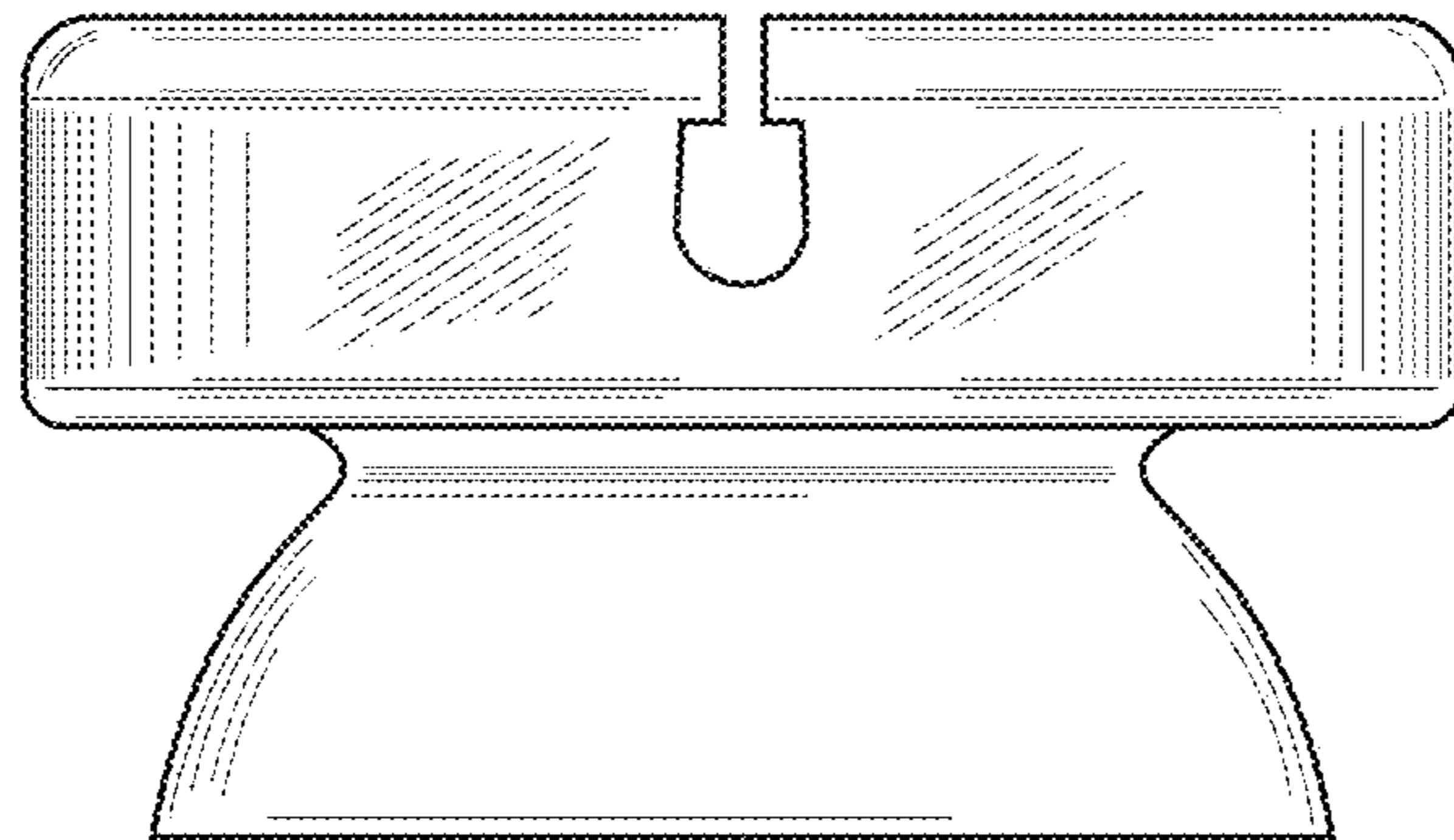


FIG. 4

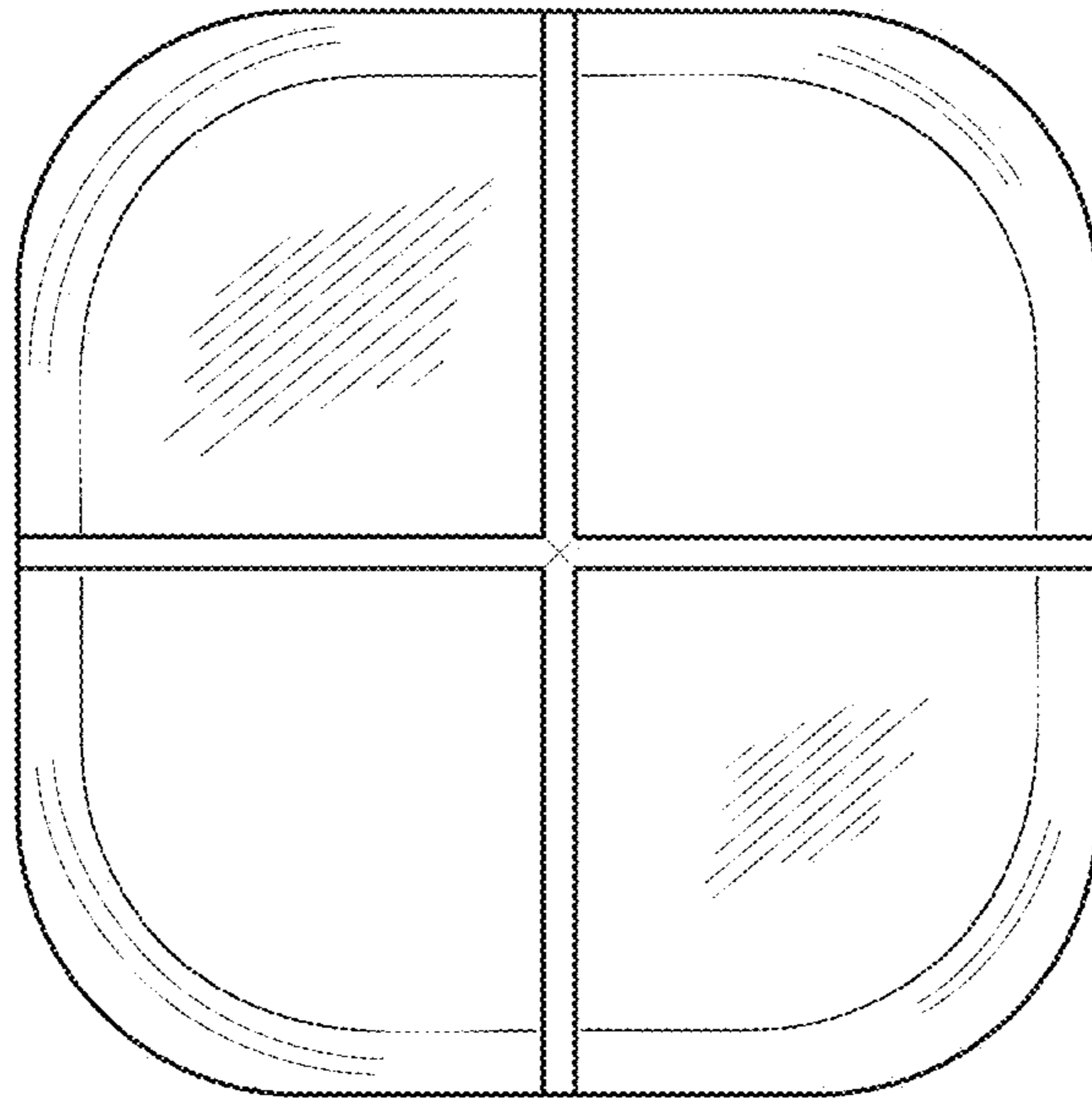


FIG. 5

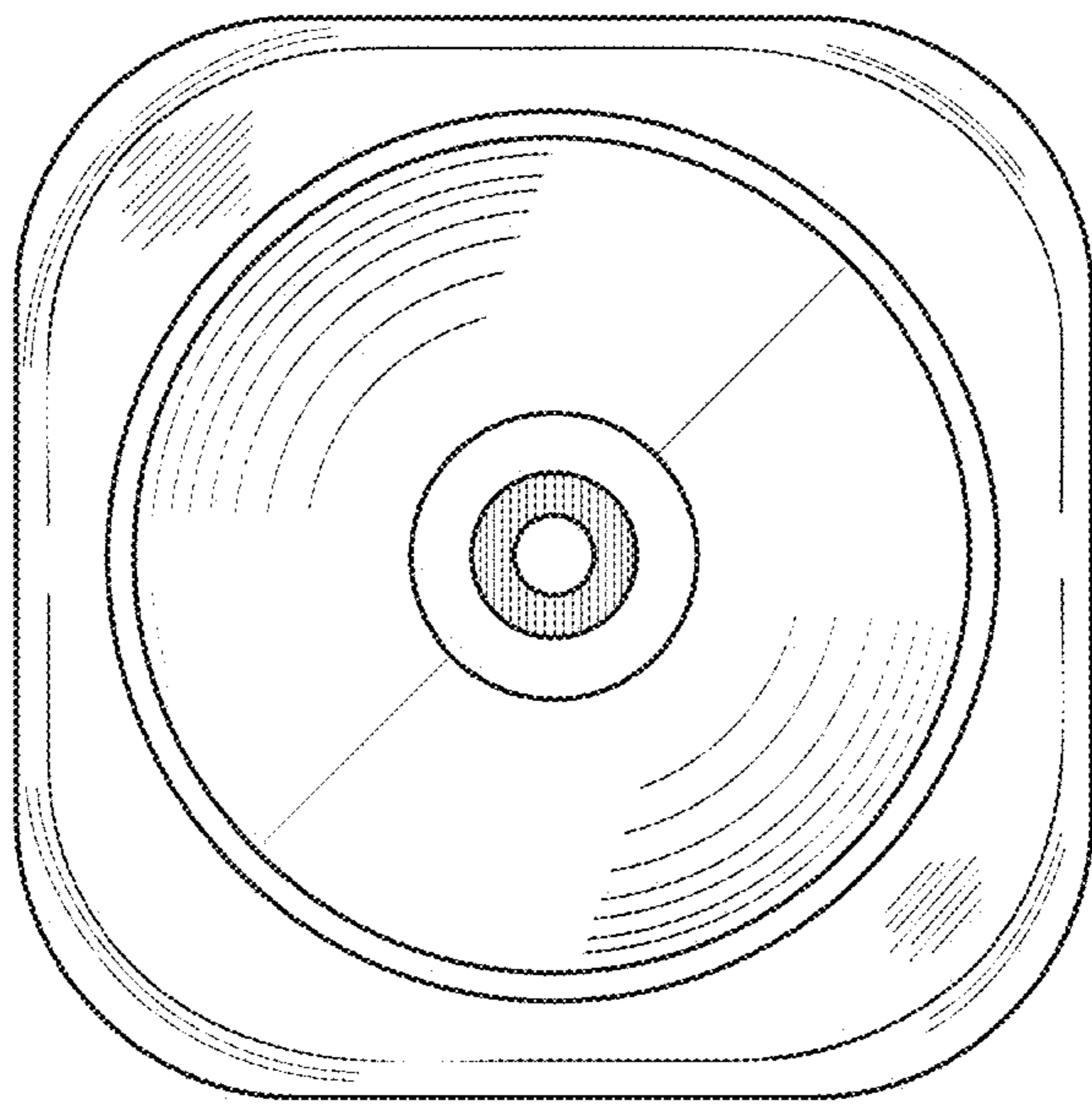


FIG. 6

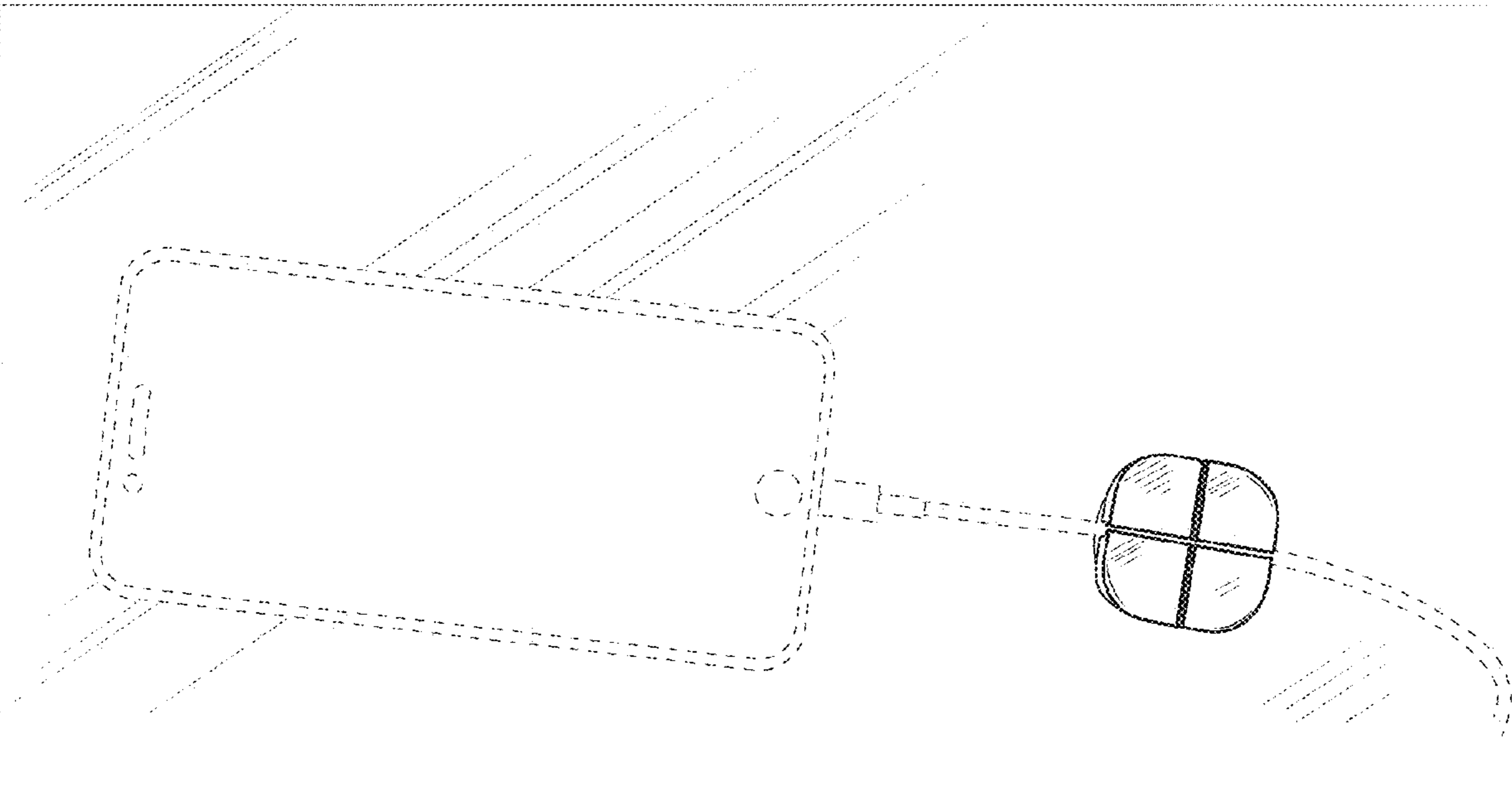


FIG. 7

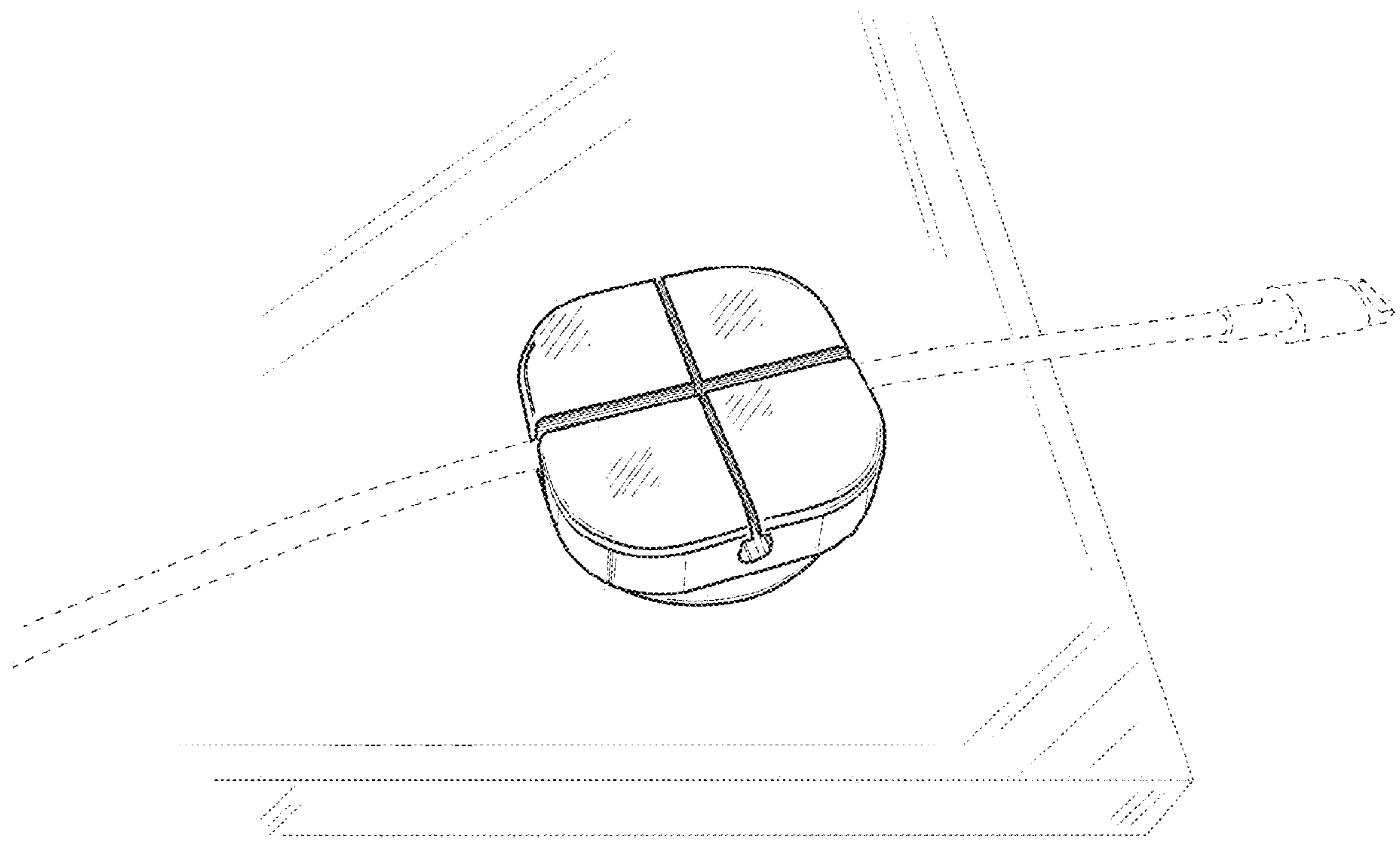


FIG. 8

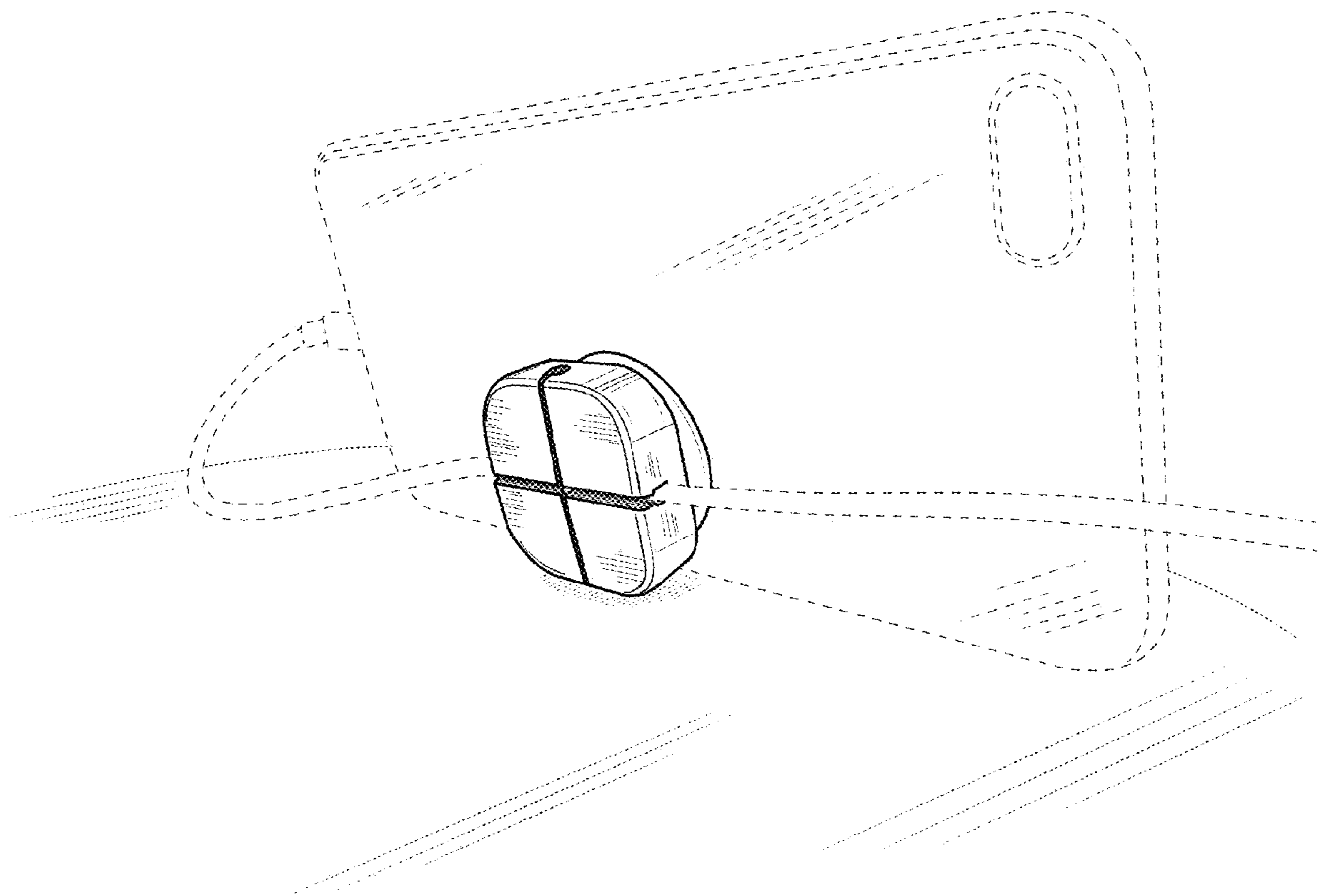


FIG. 9