



US00D886092S

(12) **United States Design Patent**
Batta

(10) **Patent No.:** **US D886,092 S**
(45) **Date of Patent:** **** *Jun. 2, 2020**

- (54) **SMARTPHONE CASE**
- (71) Applicant: **Rohit Batta**, Chino, CA (US)
- (72) Inventor: **Rohit Batta**, Chino, CA (US)
- (*) Notice: This patent is subject to a terminal disclaimer.
- (**) Term: **15 Years**
- (21) Appl. No.: **29/597,284**
- (22) Filed: **Mar. 15, 2017**
- (51) **LOC (12) Cl.** **14-03**
- (52) **U.S. Cl.**
USPC **D14/250**
- (58) **Field of Classification Search**
USPC D3/201, 226, 227, 247, 249, 250, 269,
D3/303; D13/103, 107, 108, 119;
D14/137, 138 R, 138 AA, 138 C, 138 G,
D14/203.3-203.7, 217, 238.1, 247, 248,
D14/250-253, 440
CPC H04M 1/0283; H04M 1/0202; A45C 1/06;
A45C 2011/002; A45C 11/00; A45F
2005/028; A45F 2200/0525
See application file for complete search history.

- D707,215 S * 6/2014 Weller D14/250
- D707,670 S * 6/2014 Chang D14/250
- D709,486 S * 7/2014 Lin D14/250
- D716,280 S * 10/2014 Macrina D14/250
- D716,782 S * 11/2014 Macrina D14/250
- D717,779 S * 11/2014 Dong D14/250
- D724,067 S * 3/2015 Fathollahi D14/250
- D763,840 S * 8/2016 Hwang D14/250

(Continued)

OTHER PUBLICATIONS

Top 10 best iPhone 7 Cases, posting date Sep. 7, 2016, [site visited Jul. 13, 2018][online]<URL: https://heavy.com/tech/2016/09/top-new-best-iphone-7-cases-waterproof-battery-wallet-cheap-cool-cute/> (Year: 2016).*

(Continued)

Primary Examiner — Susan E Krakower
Assistant Examiner — L. A. Grabenstetter
(74) *Attorney, Agent, or Firm* — Fritz Law Group;
Michael O'Brien; Jack Fritz

(57) **CLAIM**

The ornamental design for a smartphone case, as shown and described.

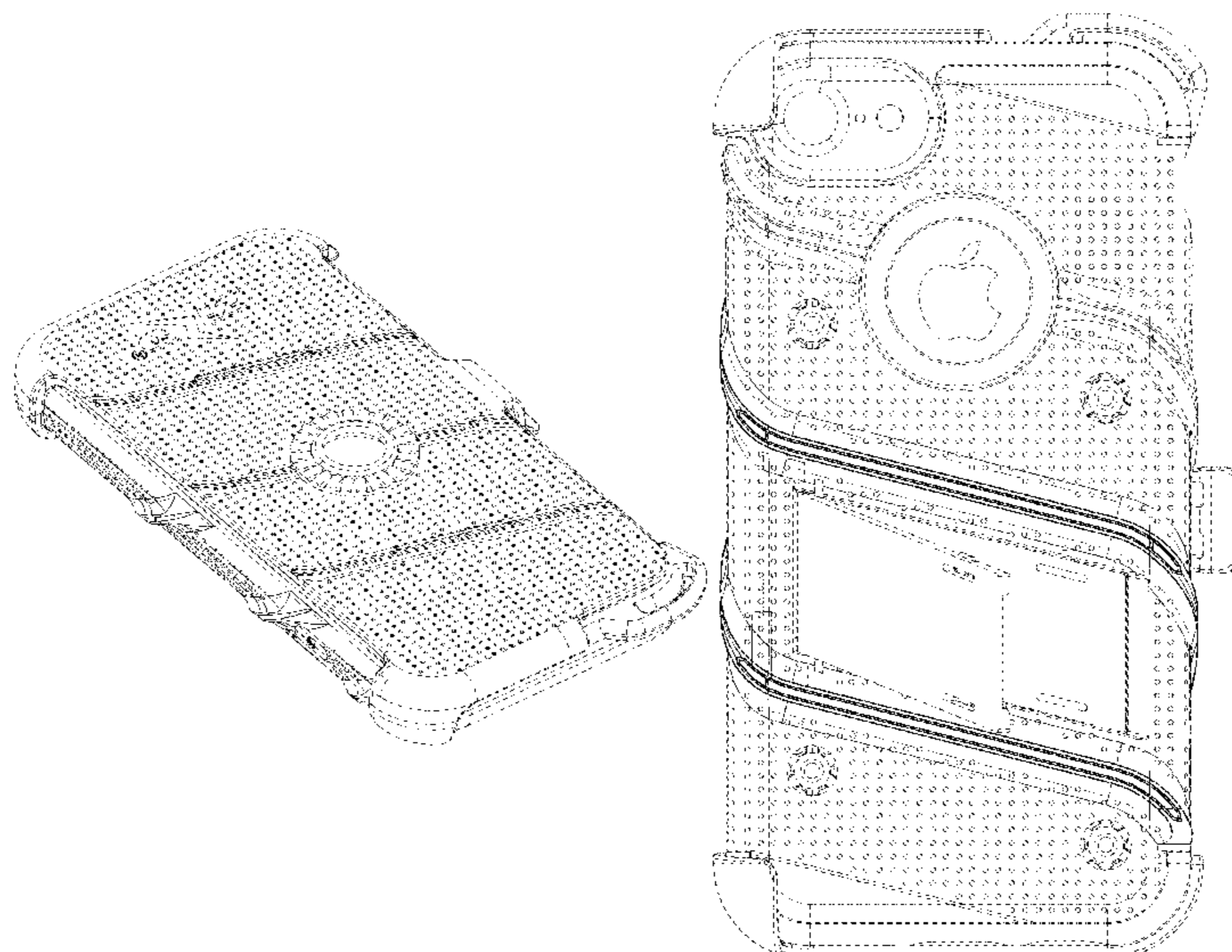
DESCRIPTION

FIG. 1 is a rear perspective view of a smartphone case, showing my new design.
FIG. 2 is a front view thereof;
FIG. 3 is a rear view thereof;
FIG. 4 is a left side view thereof;
FIG. 5 is a right side view thereof;
FIG. 6 is a top view thereof; and,
FIG. 7 is a bottom view thereof.
The solid line showing illustrates the claimed features within the design for the claimed article of manufacture. The broken lines depict portions of the smartphone case that form no part of the claimed design.

1 Claim, 7 Drawing Sheets

(56) **References Cited**
U.S. PATENT DOCUMENTS

- D589,486 S * 3/2009 He D14/138 AB
- D624,065 S * 9/2010 Bosch D14/250
- D638,414 S * 5/2011 Magness D14/250
- D641,756 S * 7/2011 Hsieh D14/440
- D644,215 S * 8/2011 Dong D14/250
- D646,264 S * 10/2011 Dong D14/250
- D650,776 S * 12/2011 Bau D14/250
- D654,915 S * 2/2012 Weller D14/250
- D681,025 S * 4/2013 Chang D14/250
- D683,341 S * 5/2013 Melanson D14/250
- D685,360 S * 7/2013 Chen D14/250
- D698,346 S * 1/2014 Chang D14/250
- D703,646 S * 4/2014 Fathollahi D14/250



(56)

References Cited

U.S. PATENT DOCUMENTS

D778,893 S * 2/2017 Fathollahi D14/250
D780,166 S * 2/2017 Lin D14/250
D790,525 S * 6/2017 Kellogg A45C 11/00
D14/250
D795,239 S * 8/2017 Batta D14/250
2009/0107661 A1* 4/2009 Andersson F28D 9/005
165/168

OTHER PUBLICATIONS

Zizo Bolt Cover Case Collection for Samsung Galaxy S7 Edge,
posting date May 22, 2016, [site visited Jul. 13, 2018][online]<URL:
https://www.youtube.com/watch?v=n0KiWj2_xL0> (Year: 2016).*

* cited by examiner

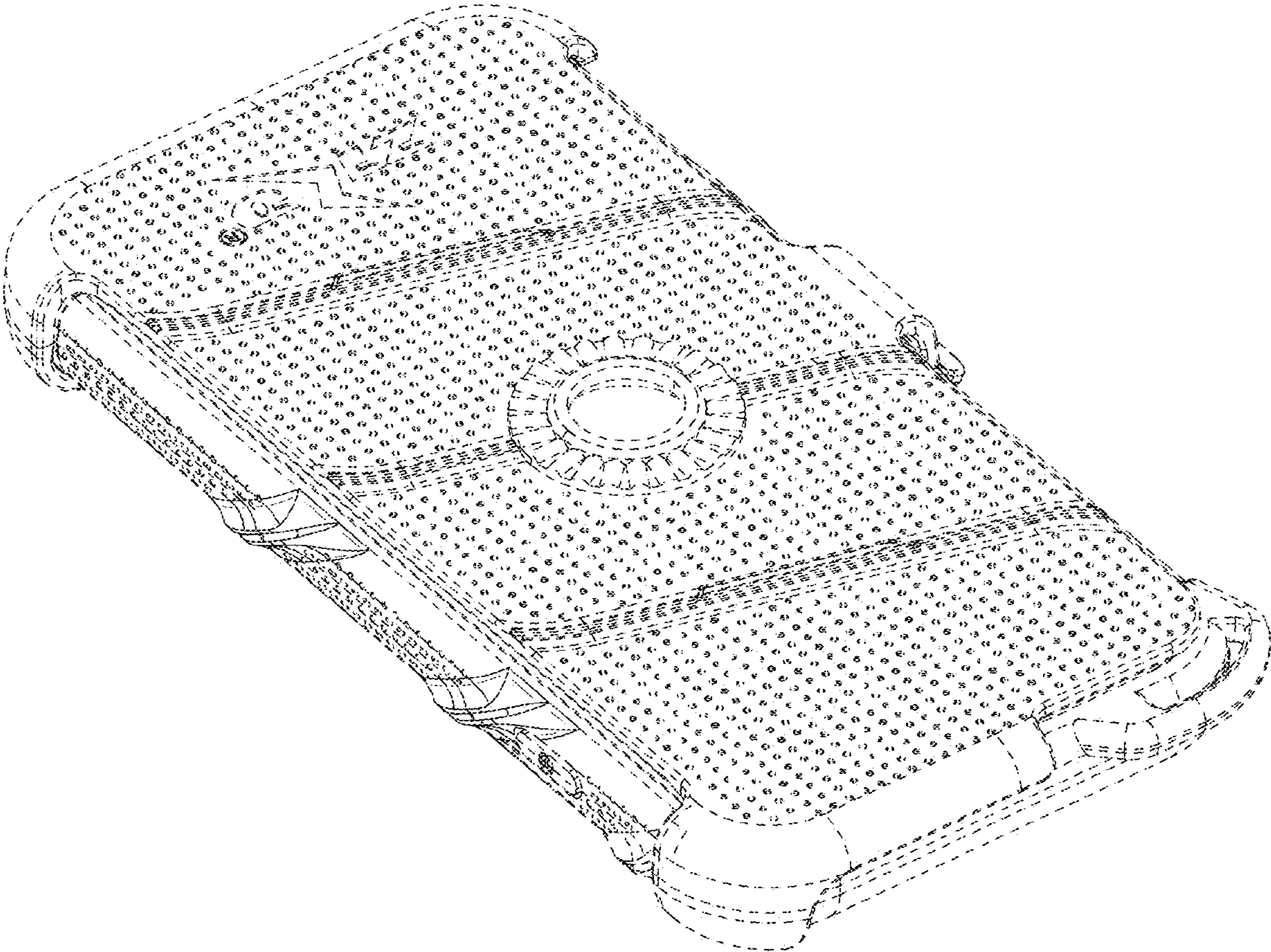


FIG. 1

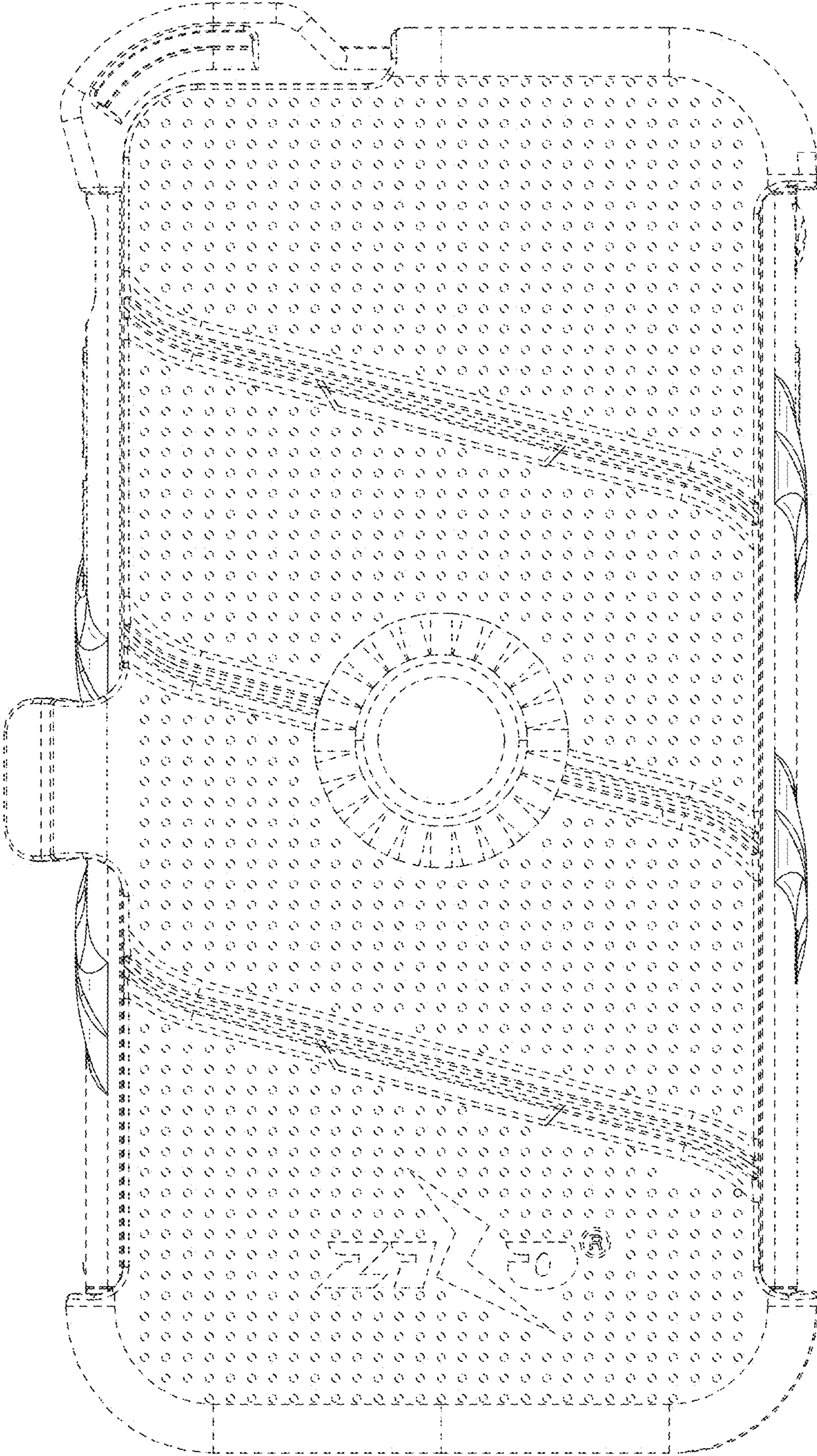


FIG. 2

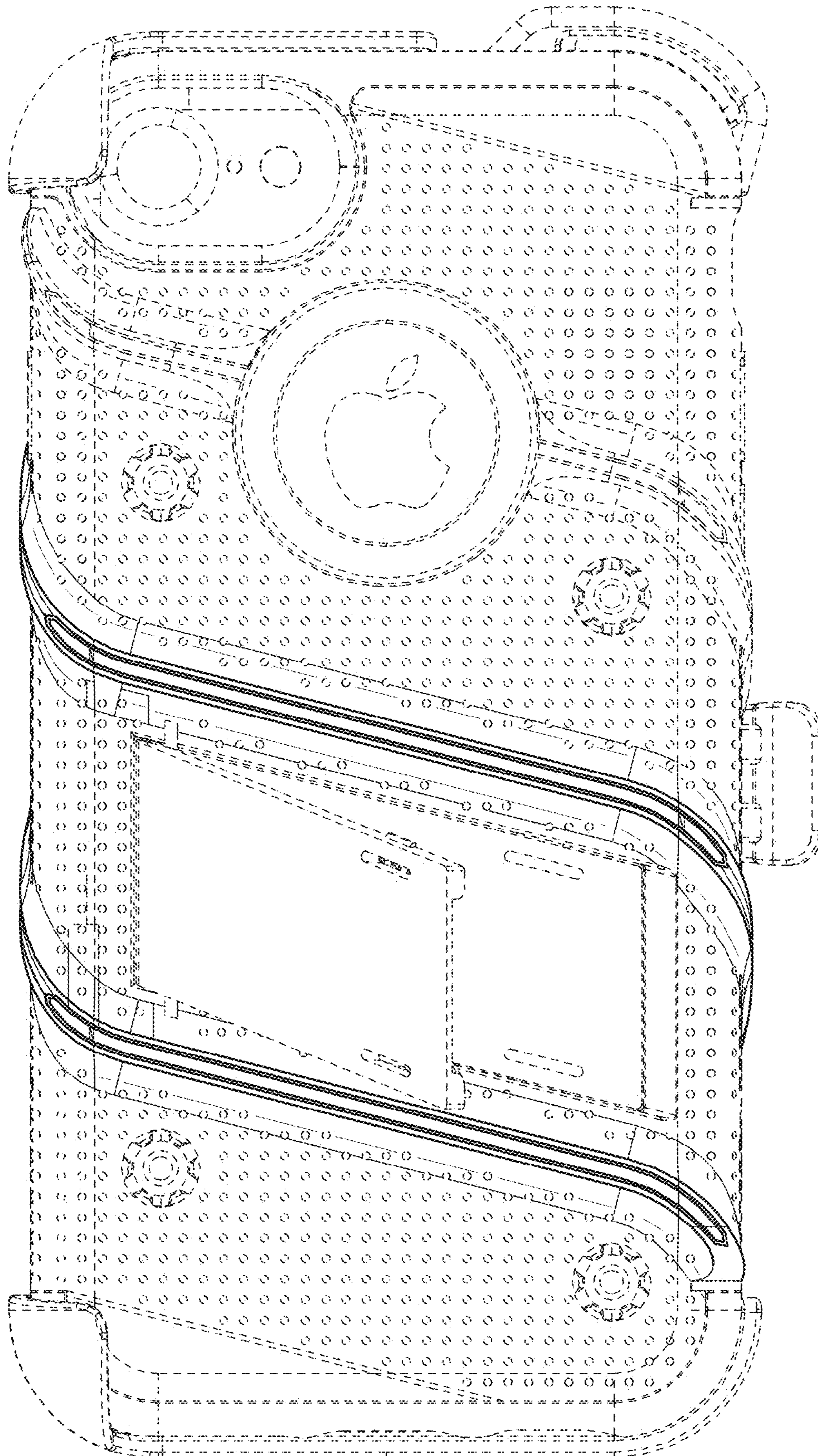


FIG. 3

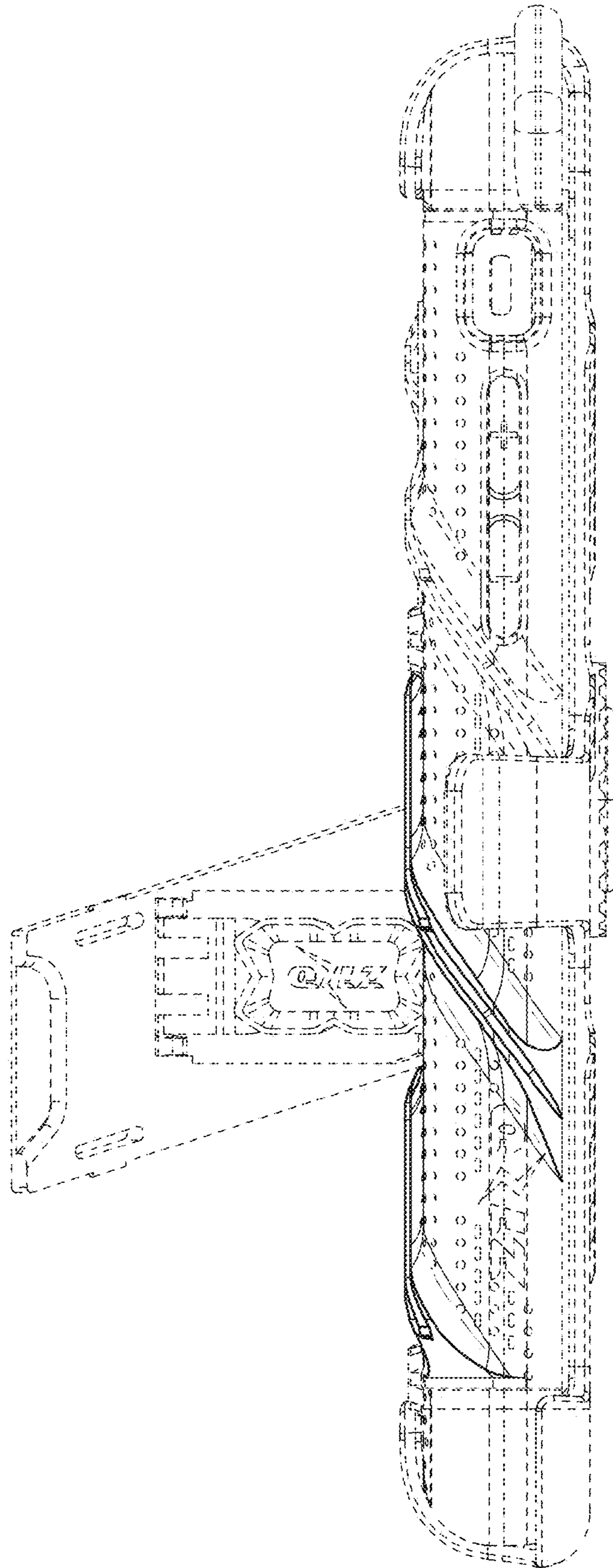


FIG. 4

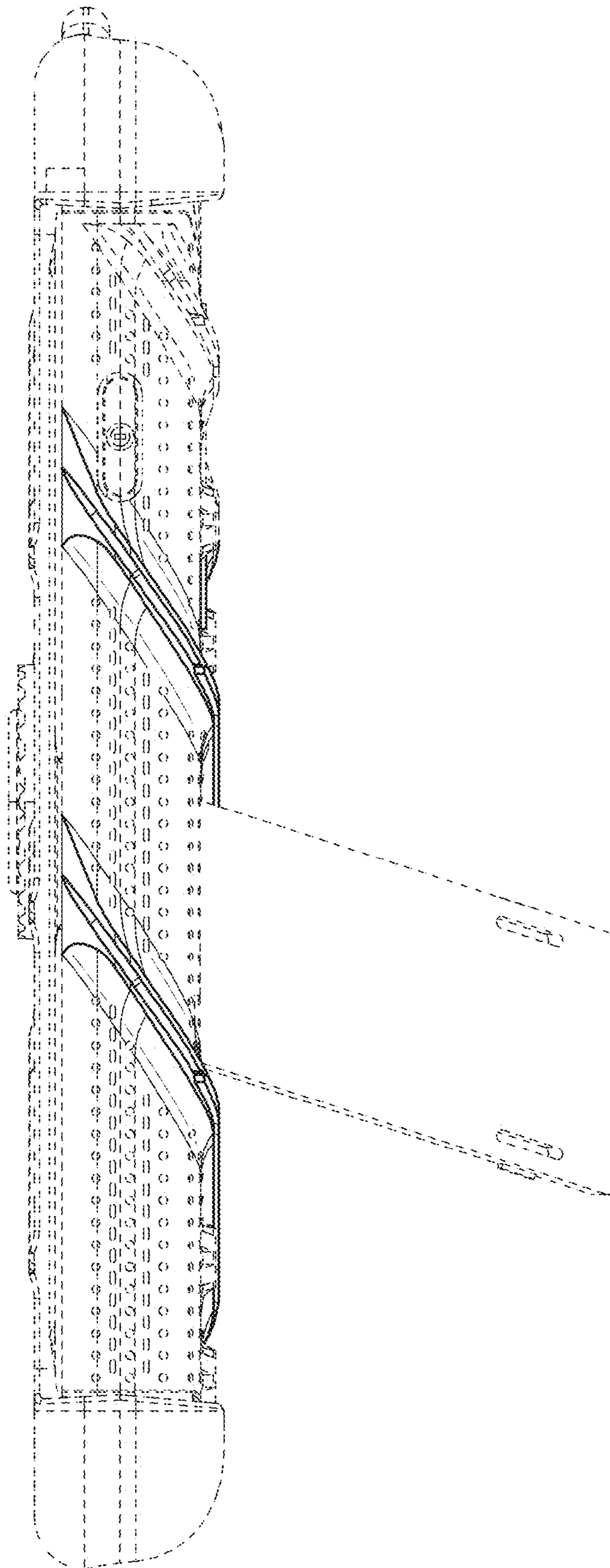


FIG. 5

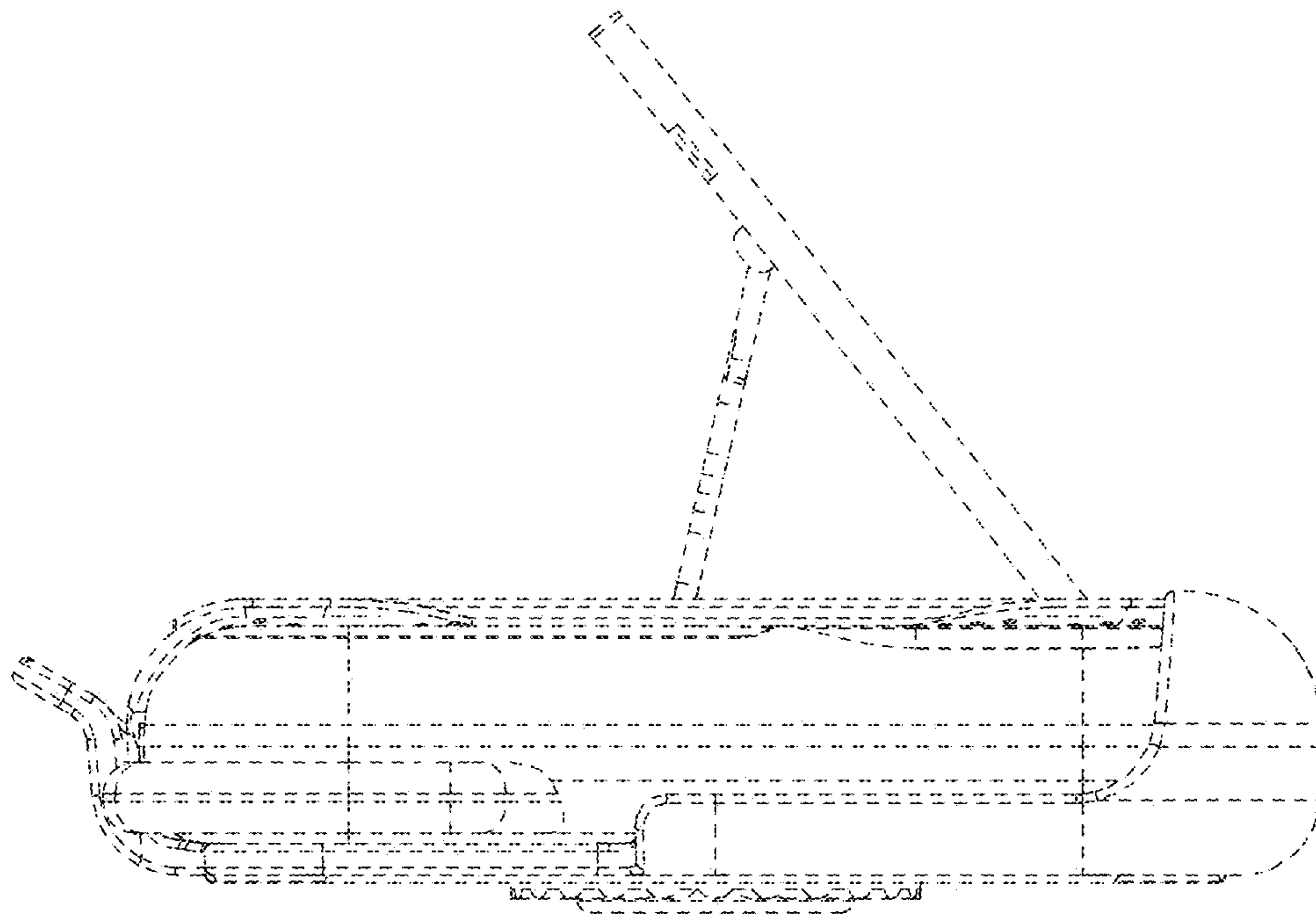


FIG. 6

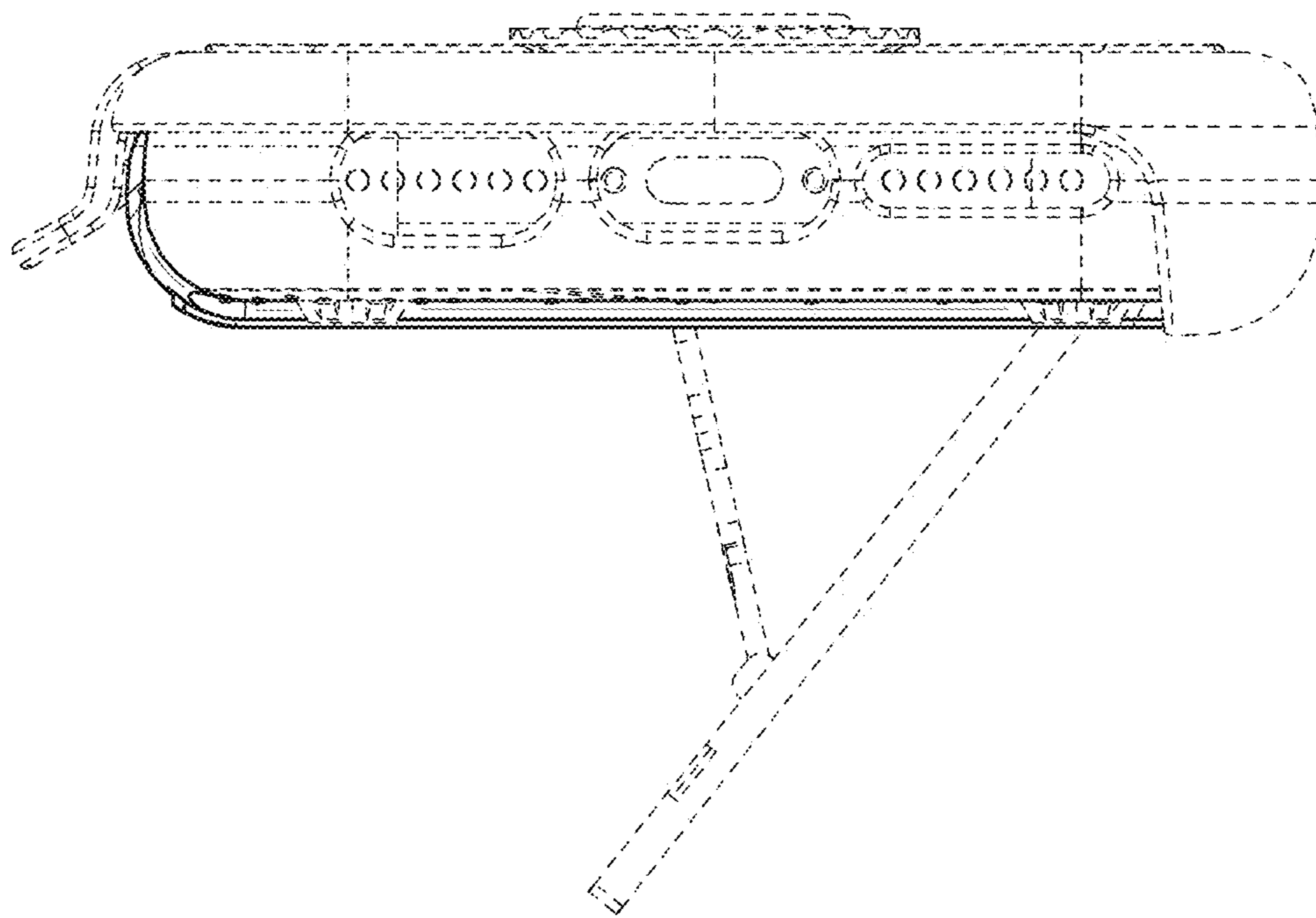


FIG. 7