



US00D886087S

(12) **United States Design Patent**  
**Jang**

(10) **Patent No.:** **US D886,087 S**  
(45) **Date of Patent:** **\*\* Jun. 2, 2020**

(54) **TERMINAL FOR NETWORKS**

(71) Applicant: **SAMSUNG ELECTRONICS CO., LTD.**, Suwon-si (KR)

(72) Inventor: **Moonjung Jang**, Gunpo-si (KR)

(73) Assignee: **SAMSUNG ELECTRONICS CO., LTD.**, Gyeonggi-Do (KR)

(\*\*) Term: **15 Years**

(21) Appl. No.: **29/675,012**

(22) Filed: **Dec. 27, 2018**

(30) **Foreign Application Priority Data**

Oct. 12, 2018 (KR) ..... 30-2018-0046912

(51) **LOC (12) Cl.** ..... **14-03**

(52) **U.S. Cl.**  
USPC ..... **D14/240**

(58) **Field of Classification Search**  
USPC ..... D14/240, 242, 357, 358, 155, 125, 126,  
D14/137, 139, 243, 348, 349, 351, 354,  
D14/355

(Continued)

(56) **References Cited**

**U.S. PATENT DOCUMENTS**

D463,415 S \* 9/2002 Tomino ..... D14/240  
D472,242 S \* 3/2003 Tomino ..... D13/133

(Continued)

*Primary Examiner* — Bridget L Eland

(74) *Attorney, Agent, or Firm* — Cantor Colburn LLP

(57) **CLAIM**

The ornamental design for a terminal for networks, as shown and described.

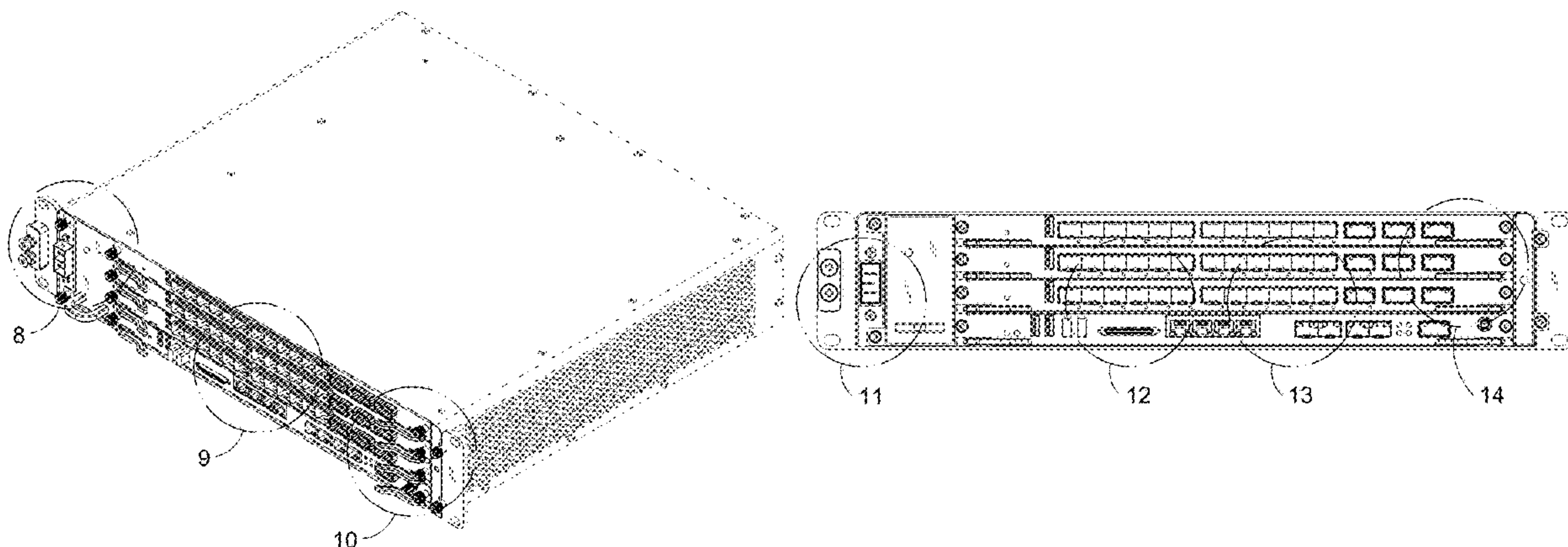
**DESCRIPTION**

FIG. 1 is a front perspective view of a terminal for networks, showing my new design;

FIG. 2 is a front view thereof;  
FIG. 3 is a rear view thereof;  
FIG. 4 is a left-side view thereof;  
FIG. 5 is a right-side view thereof;  
FIG. 6 is a top view thereof;  
FIG. 7 is a bottom view thereof;  
FIG. 8 is an enlarged view of the encircled portion 8 in FIG. 1;  
FIG. 9 is an enlarged view of the encircled portion 9 in FIG. 1;  
FIG. 10 is an enlarged view of the encircled portion 10 in FIG. 1;  
FIG. 11 is an enlarged view of the encircled portion 11 in FIG. 2;  
FIG. 12 is an enlarged view of the encircled portion 12 in FIG. 2;  
FIG. 13 is an enlarged view of the encircled portion 13 in FIG. 2;  
FIG. 14 is an enlarged view of the encircled portion 14 in FIG. 2;  
FIG. 15 is an enlarged view of the encircled portion 15 in FIG. 4;  
FIG. 16 is an enlarged view of the encircled portion 16 in FIG. 5;  
FIG. 17 is an enlarged view of the encircled portion 17 in FIG. 6;  
FIG. 18 is an enlarged view of the encircled portion 18 in FIG. 6;  
FIG. 19 is an enlarged view of the encircled portion 19 in FIG. 6;  
FIG. 20 is an enlarged view of the encircled portion 20 in FIG. 7; and,  
FIG. 21 is an enlarged view of the encircled portion 21 in FIG. 7.

The even-dash broken lines illustrating portions of the terminal for networks form no part of the claimed design. The dot-dot-dash broken lines encircling enlargement portions of the claimed design form no part of the claimed design.

**1 Claim, 11 Drawing Sheets**



(58) **Field of Classification Search**

CPC . H04L 12/66; H04L 63/0853; H04L 63/0272;  
H04L 63/083; H04L 63/105; H05K 7/20;  
H05K 7/20154

See application file for complete search history.

(56) **References Cited**

U.S. PATENT DOCUMENTS

D474,772	S	*	5/2003	Deguchi	.....	D13/133
D529,903	S	*	10/2006	McRae	.....	D14/240
D541,263	S	*	4/2007	Yao	.....	D14/240
D606,542	S	*	12/2009	Lu	.....	D14/240
D654,066	S	*	2/2012	Yi	.....	D14/240
D671,925	S	*	12/2012	Tsuda	.....	D14/240
D686,207	S	*	7/2013	Lewis	.....	D14/240
D767,545	S	*	9/2016	Jeon	.....	D14/240
D767,547	S	*	9/2016	Kwak	.....	D14/240
D873,269	S	*	1/2020	Hu	.....	D14/358
2020/0008317	A1	*	1/2020	Pedoeem	.....	H05K 7/20545

\* cited by examiner

FIG. 1

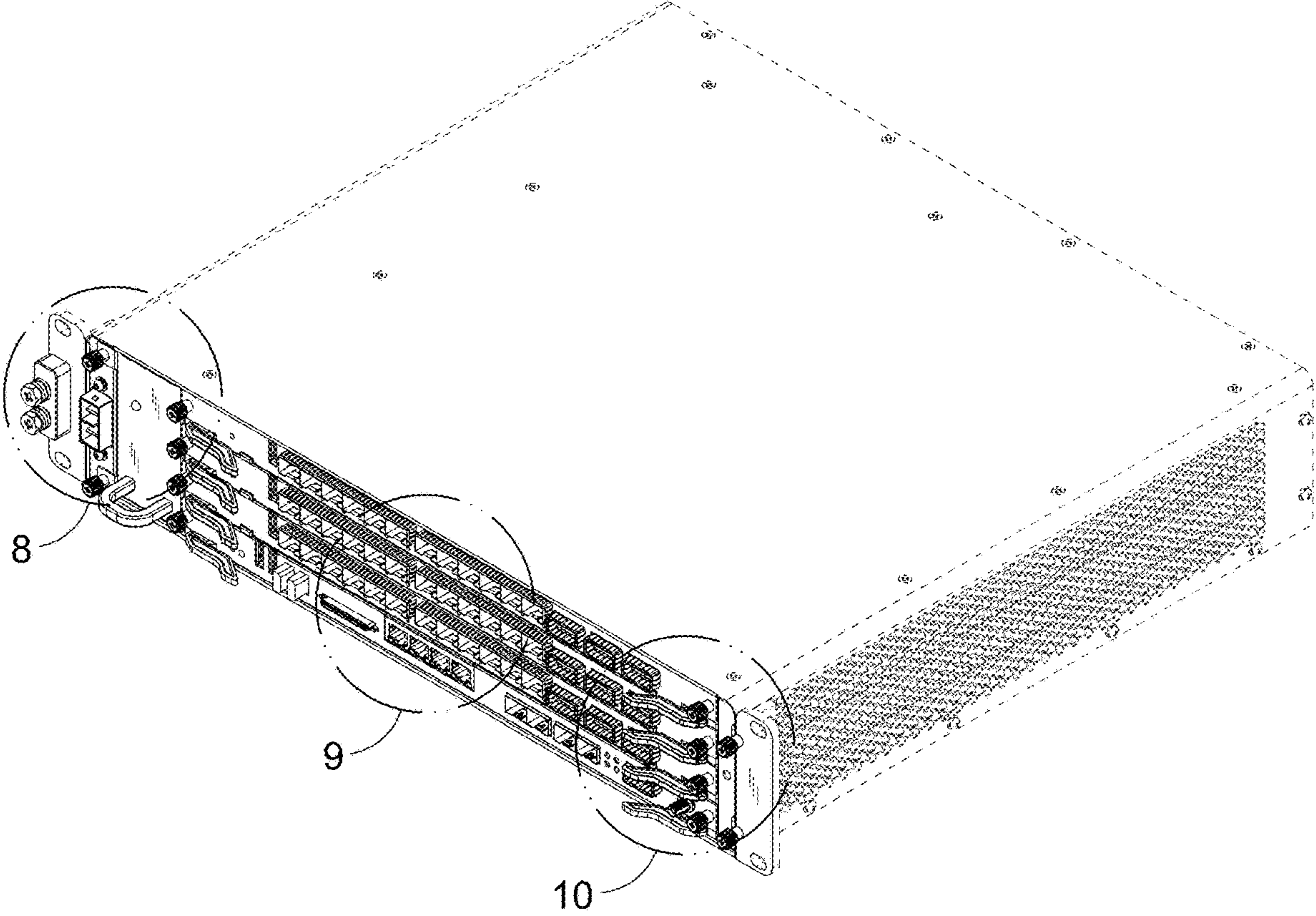




FIG.2

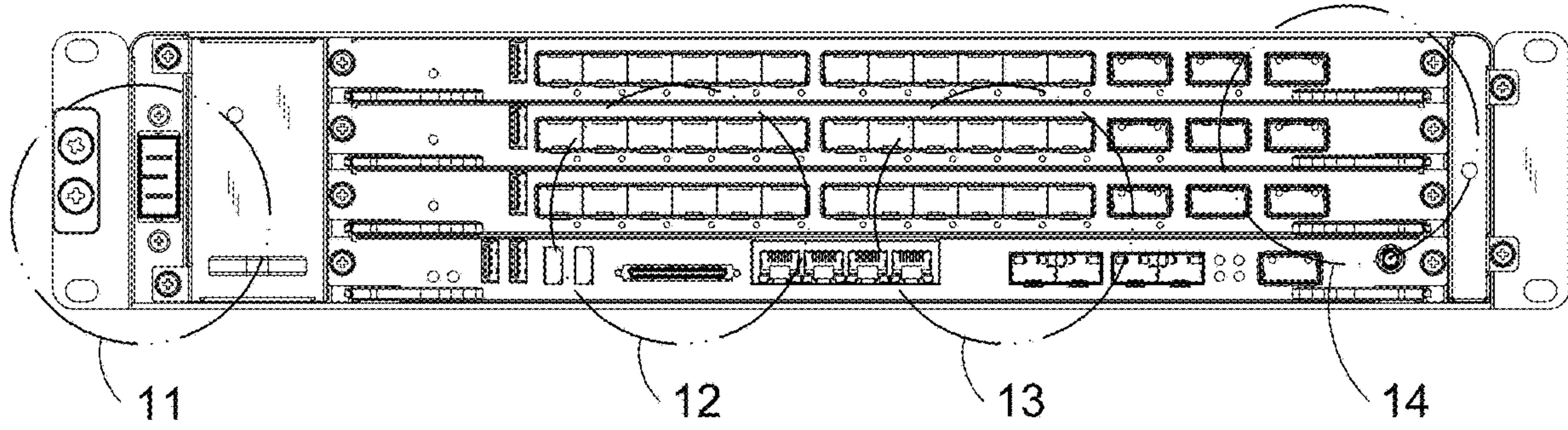


FIG.3

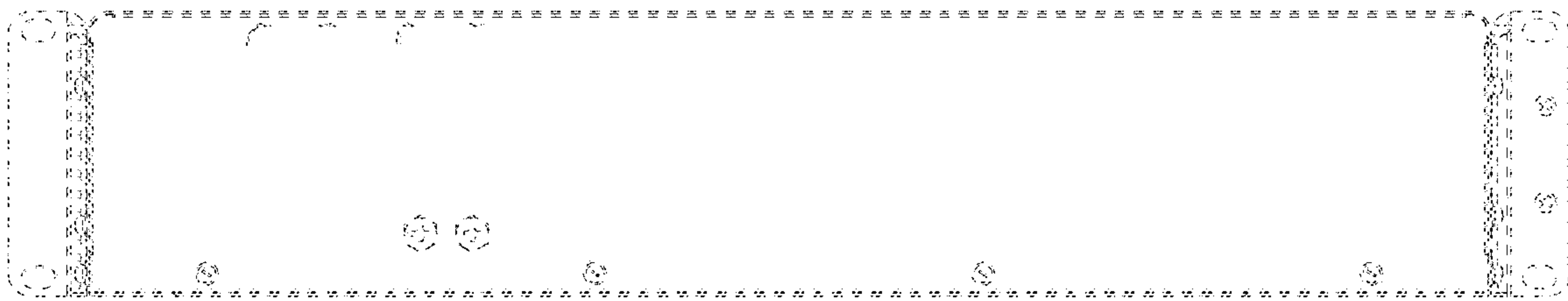


FIG.4

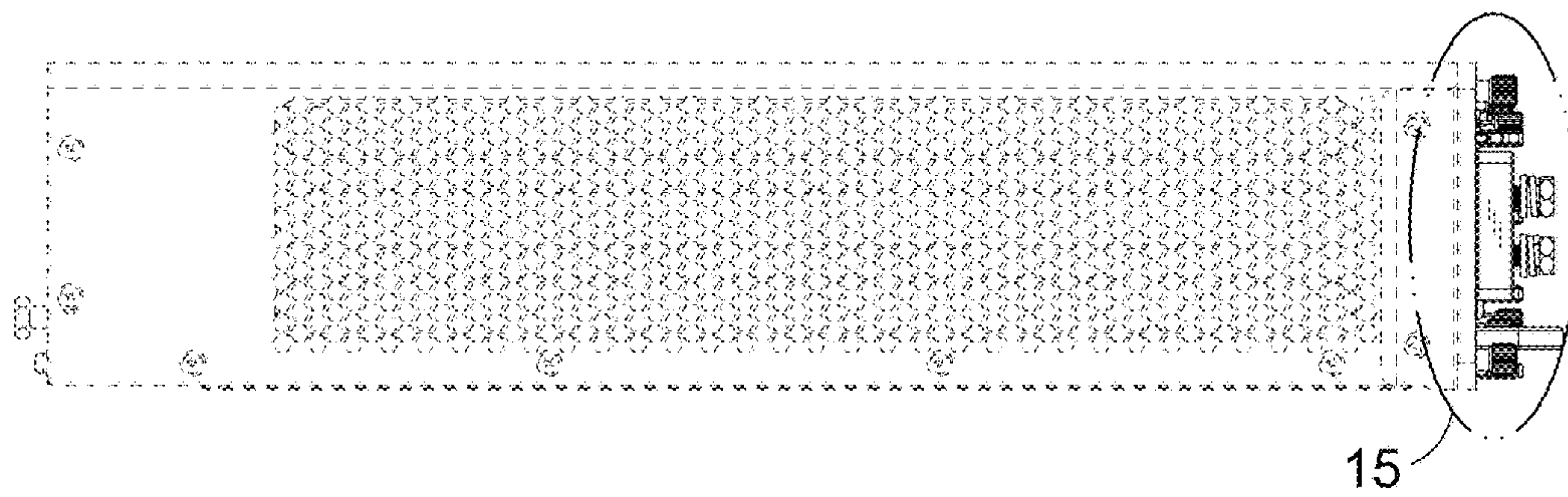


FIG.5

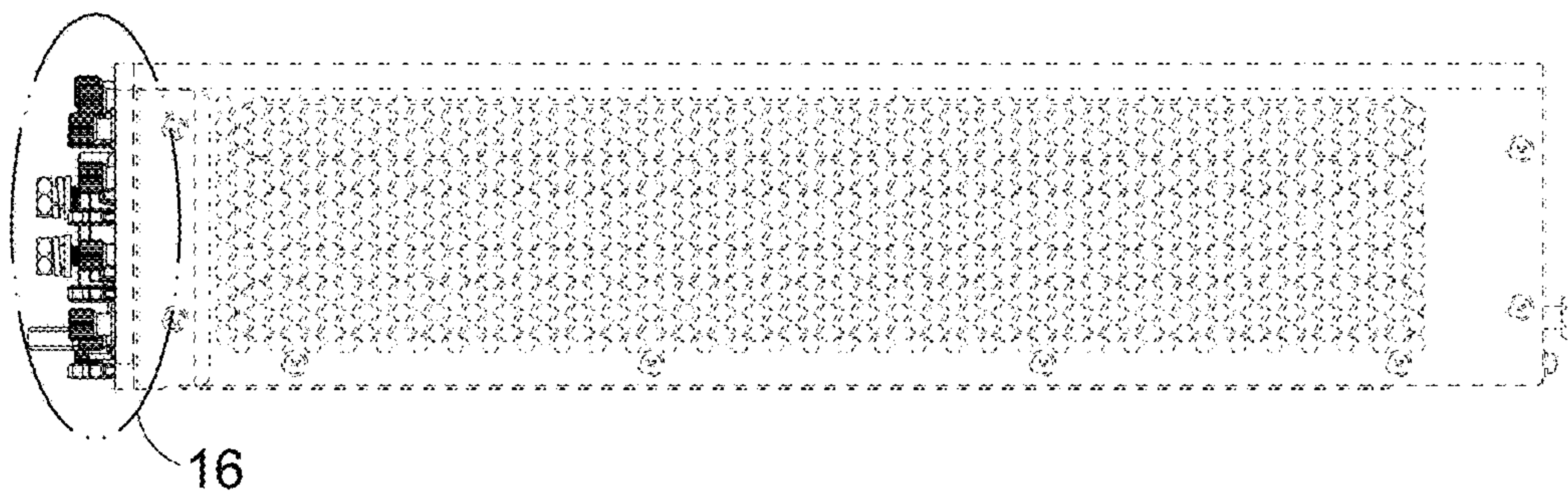


FIG.6

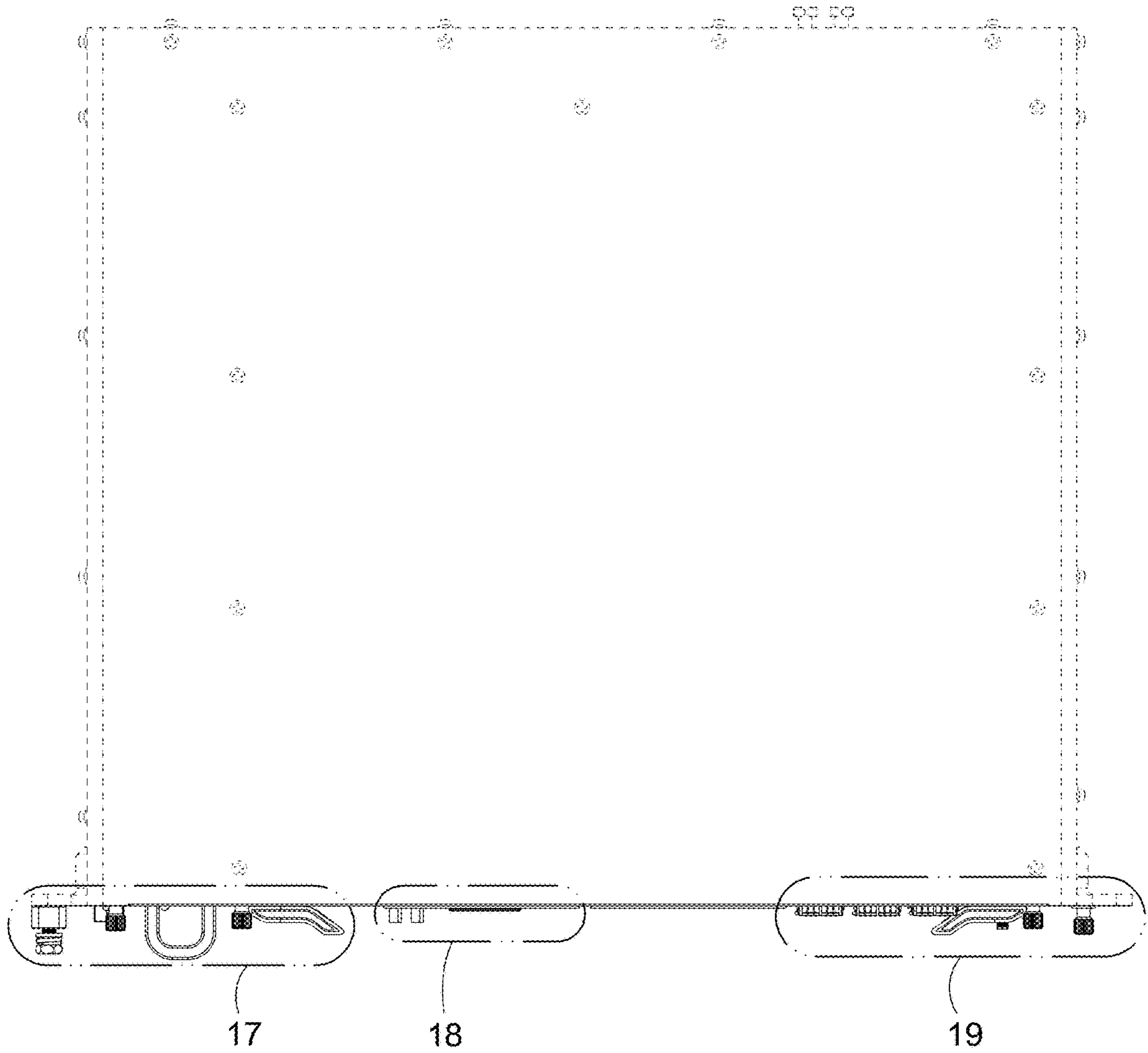


FIG.7

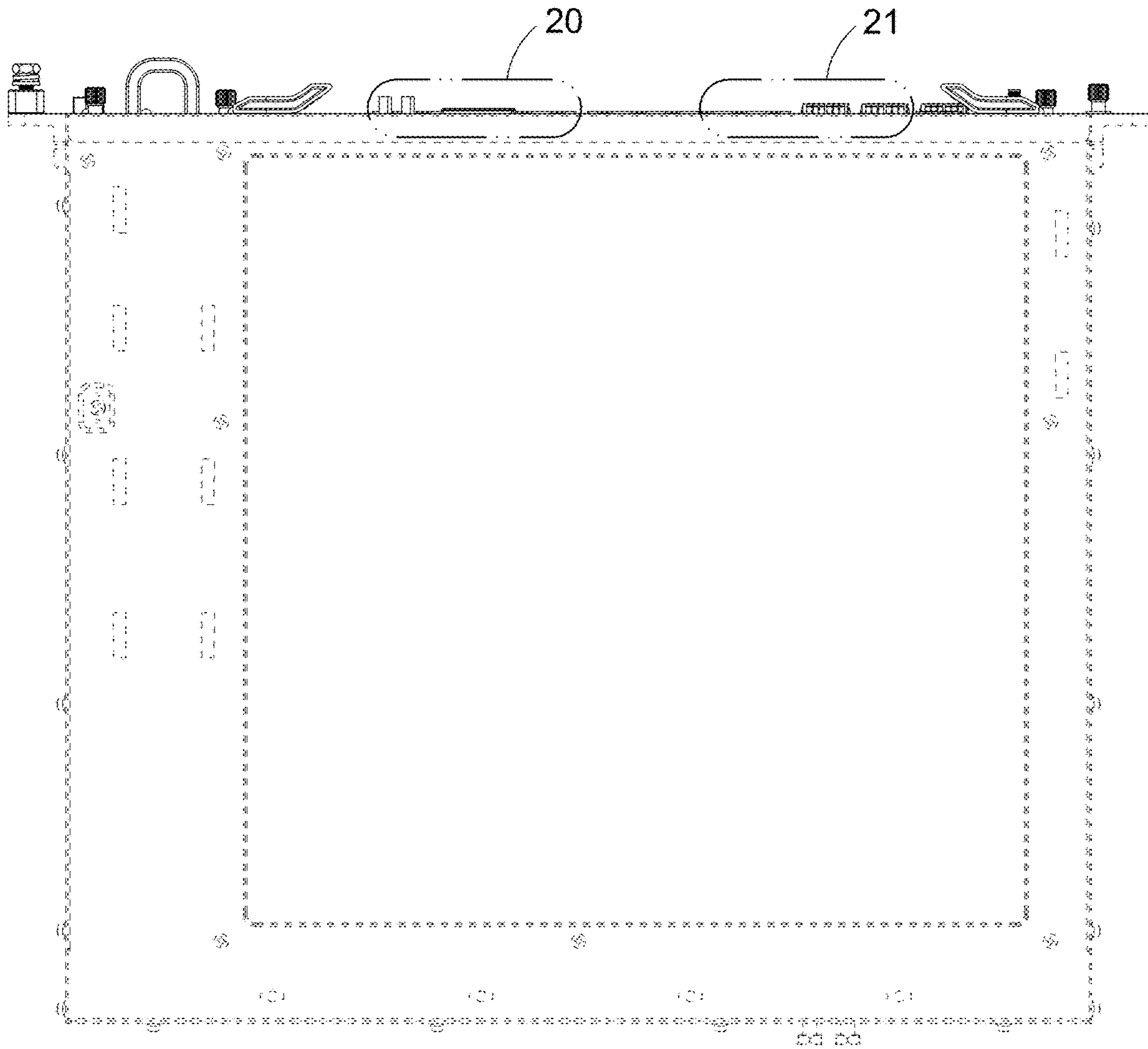




FIG.8

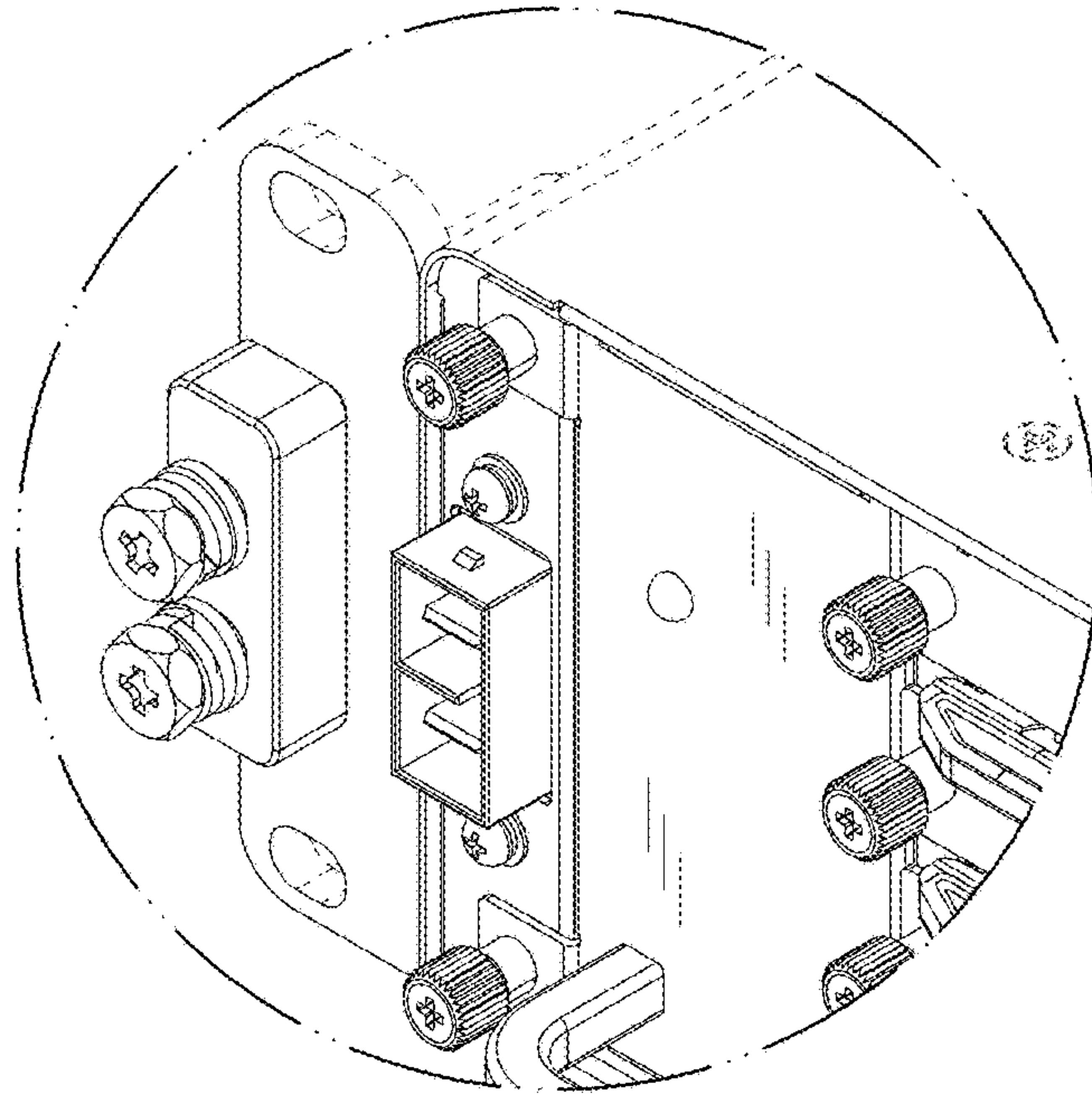


FIG.9

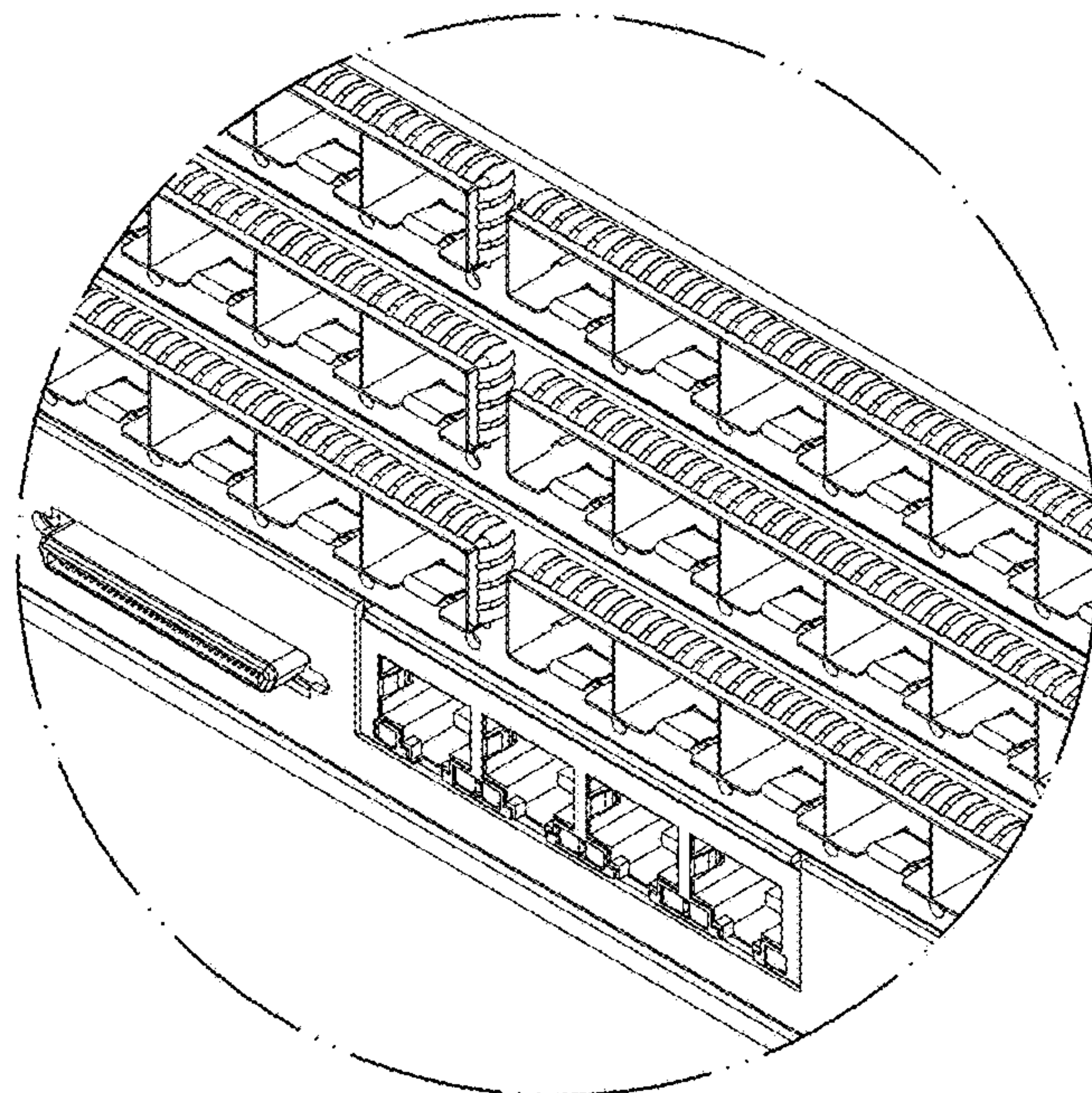


FIG.10

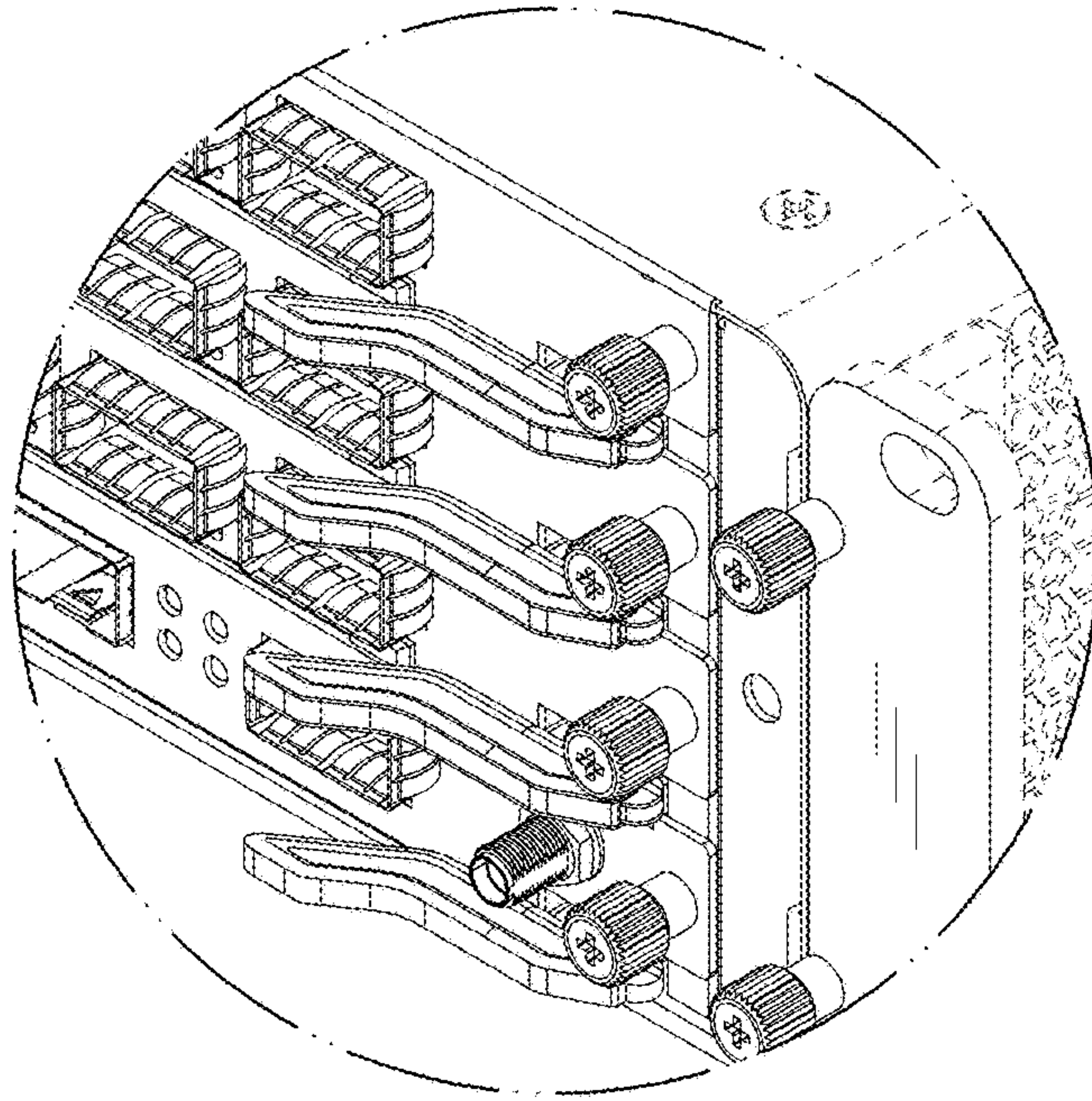


FIG.11

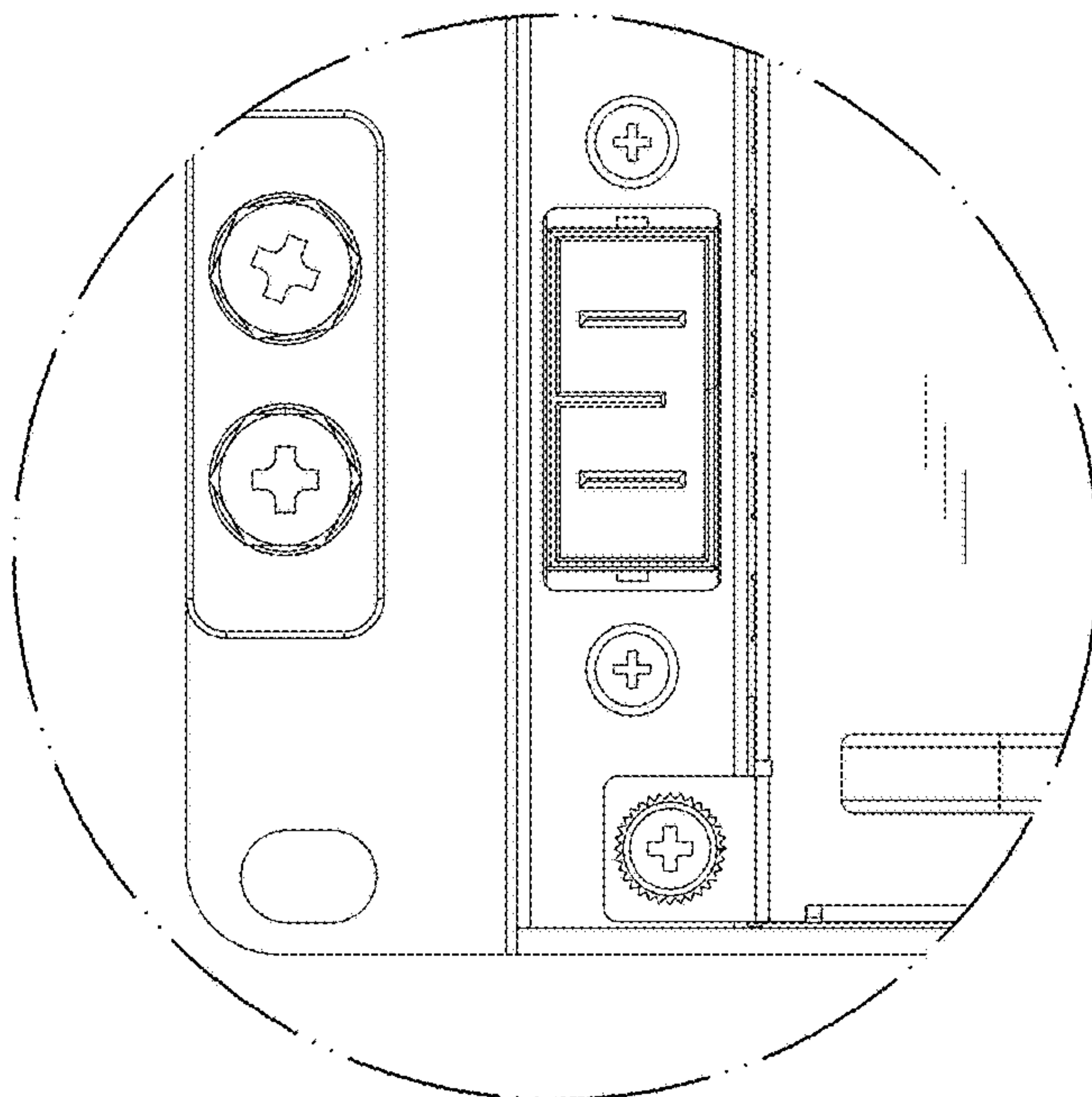




FIG.12

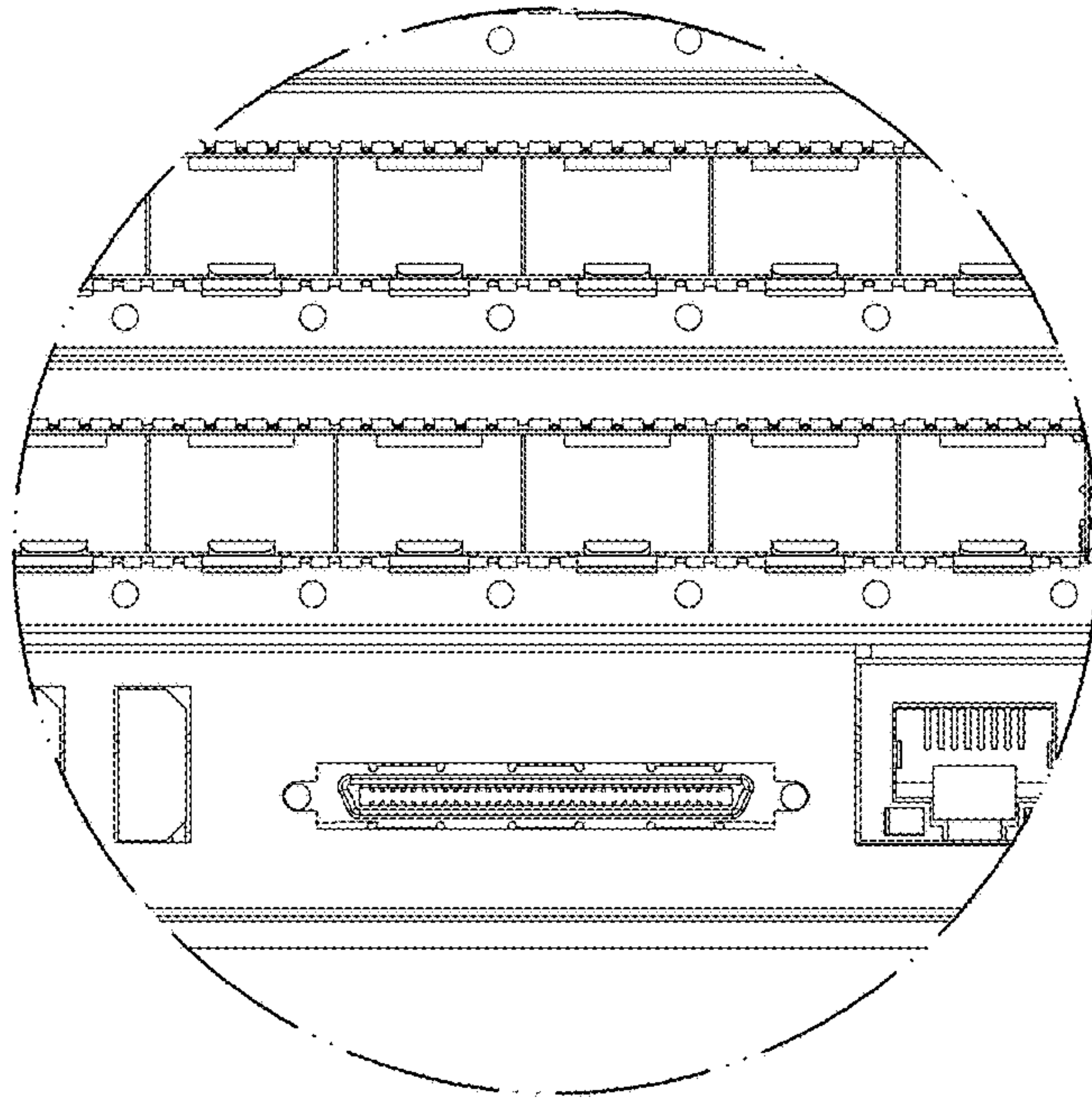


FIG.13

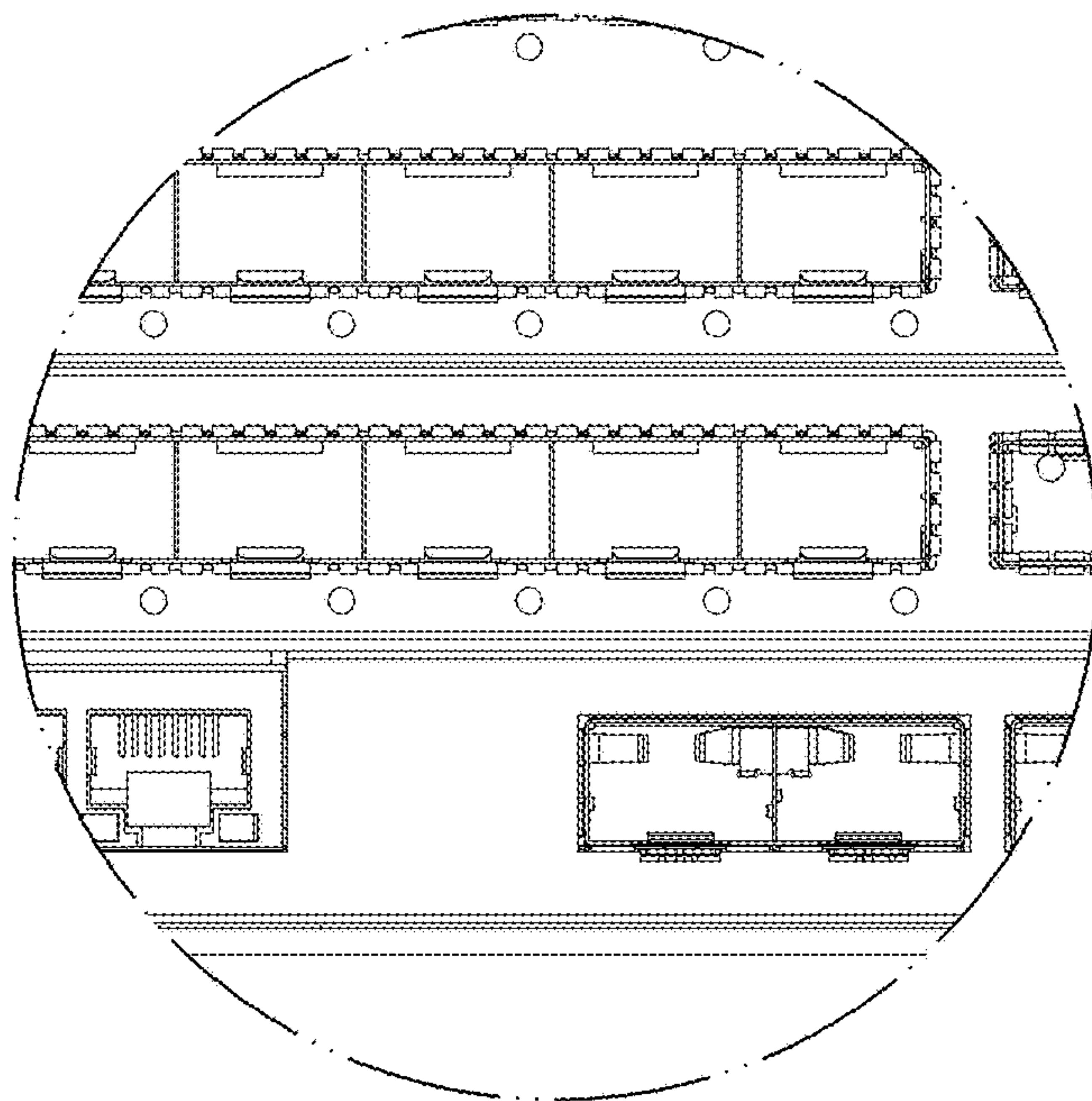


FIG.14

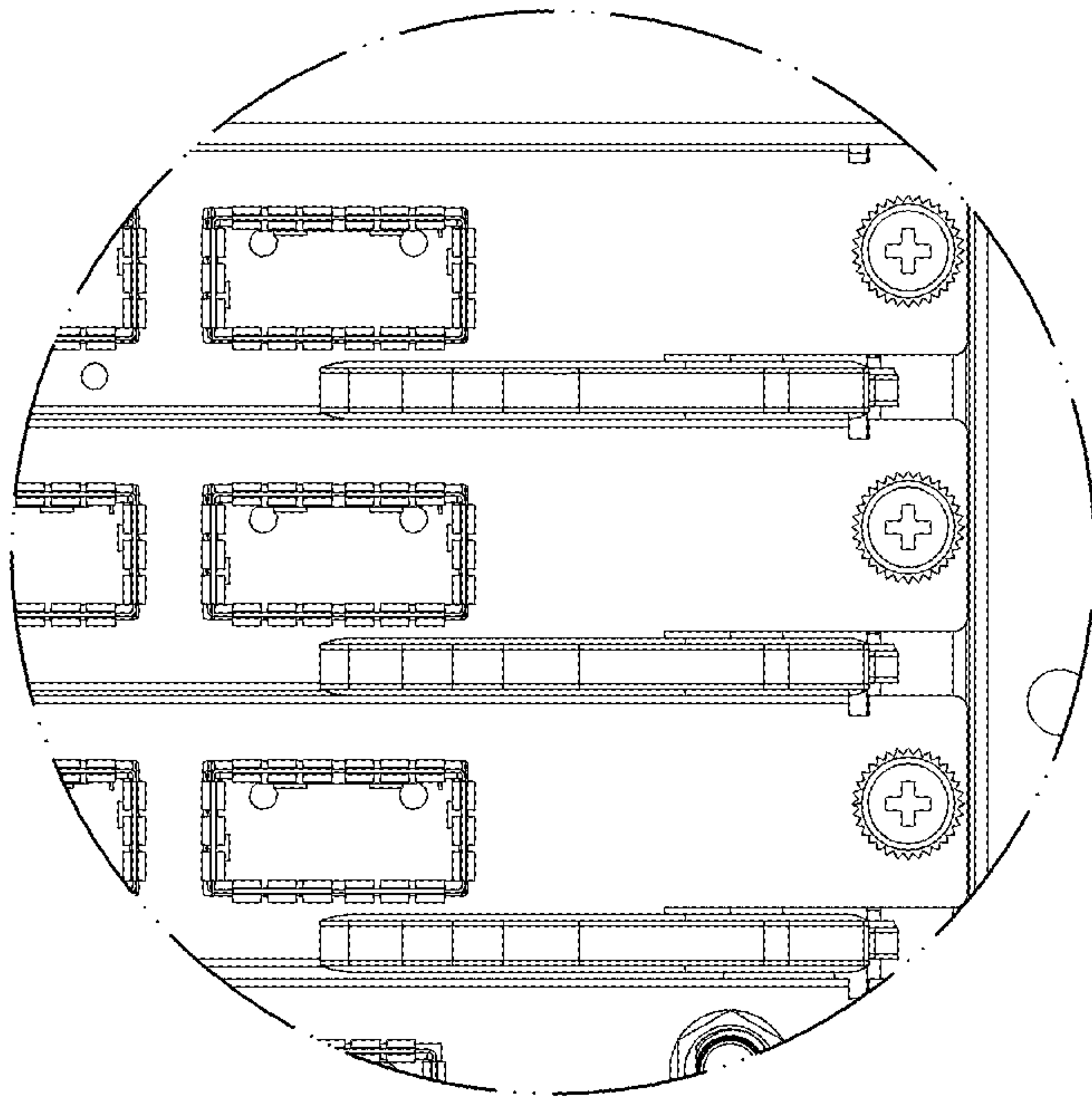


FIG.15

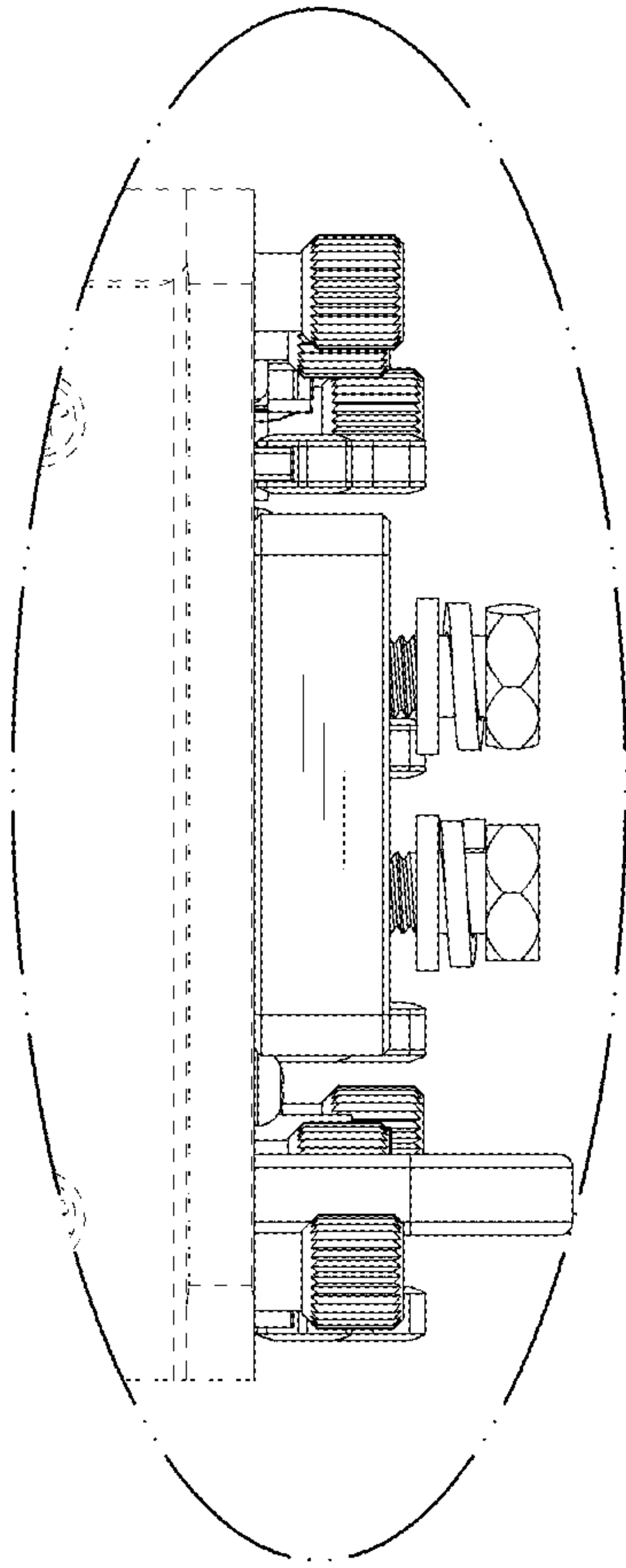


FIG.16

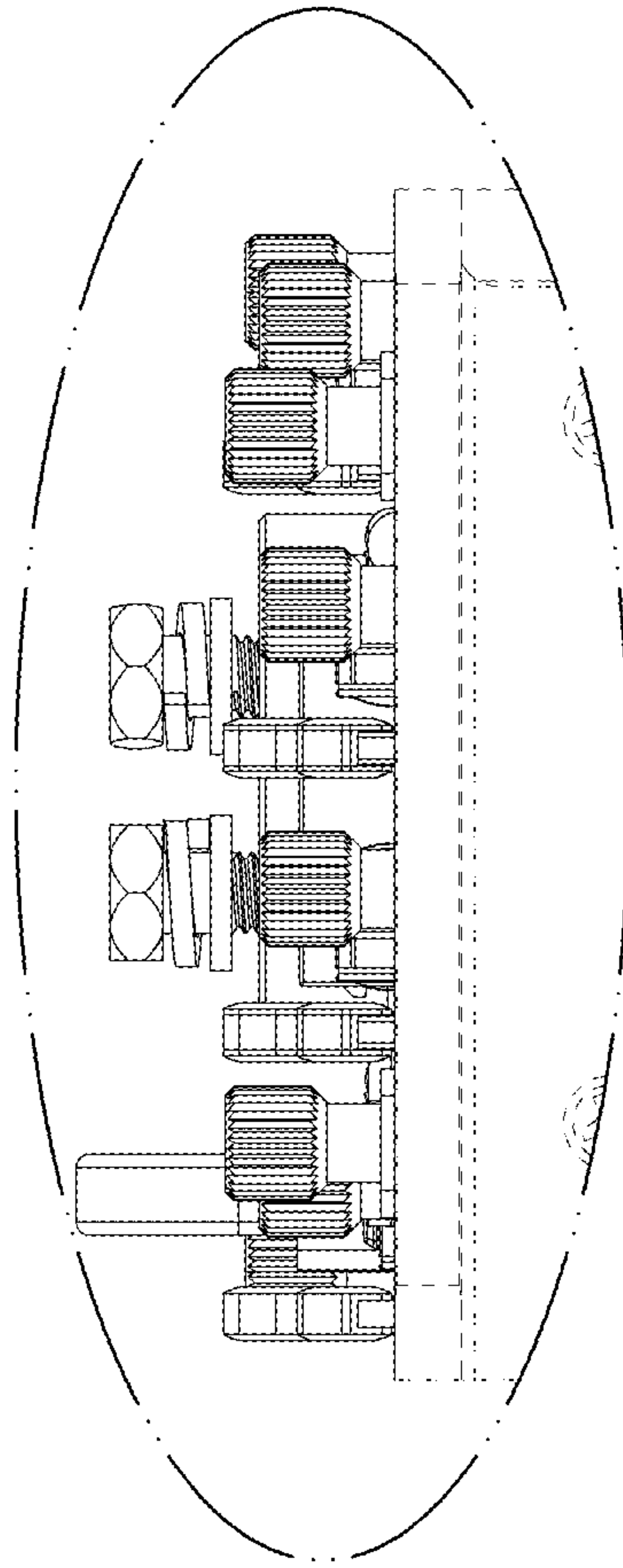




FIG.17

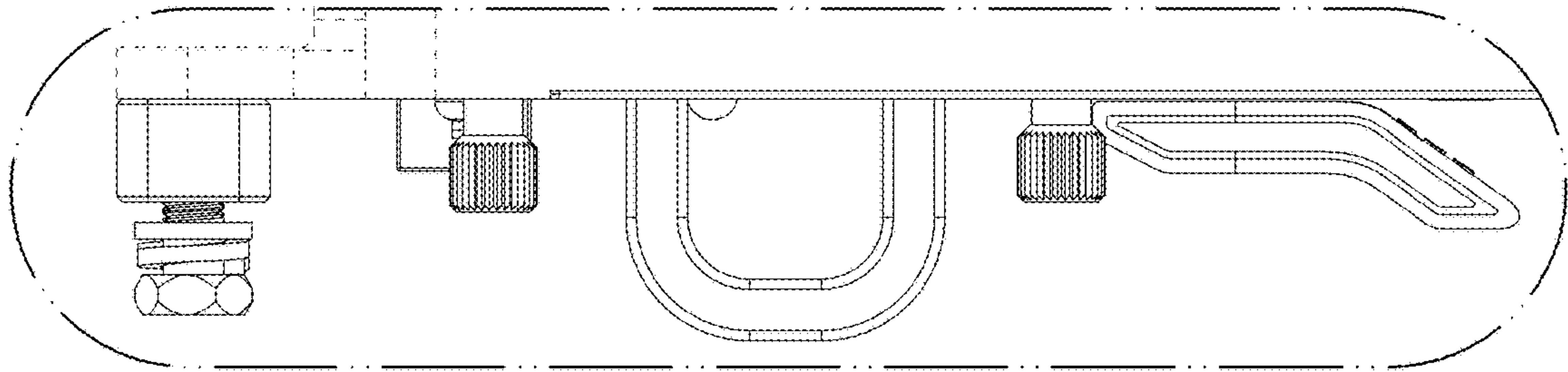


FIG.18

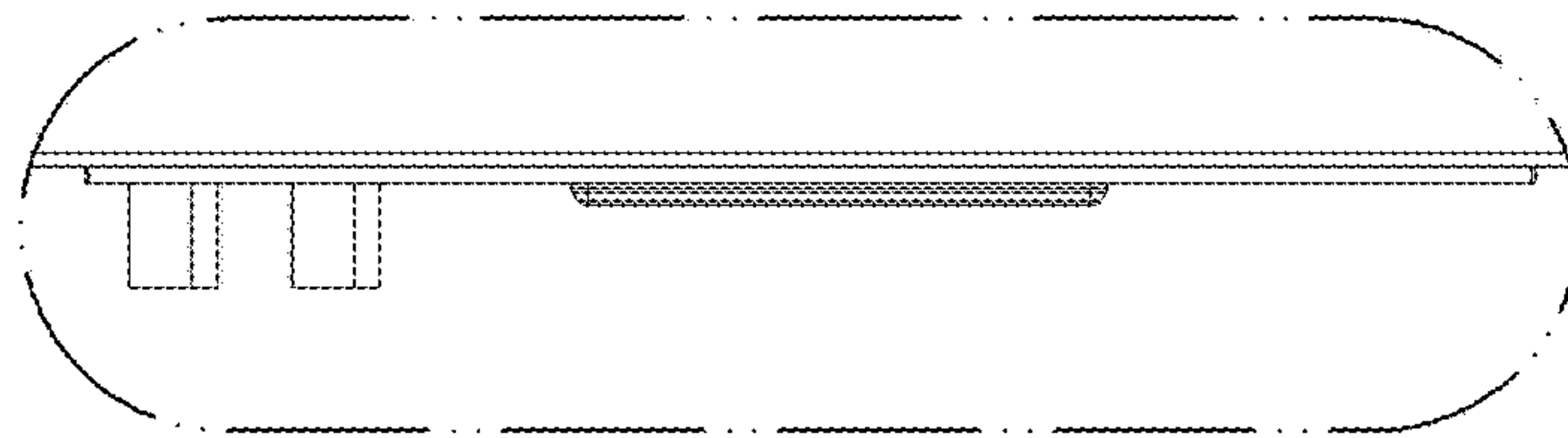


FIG.19

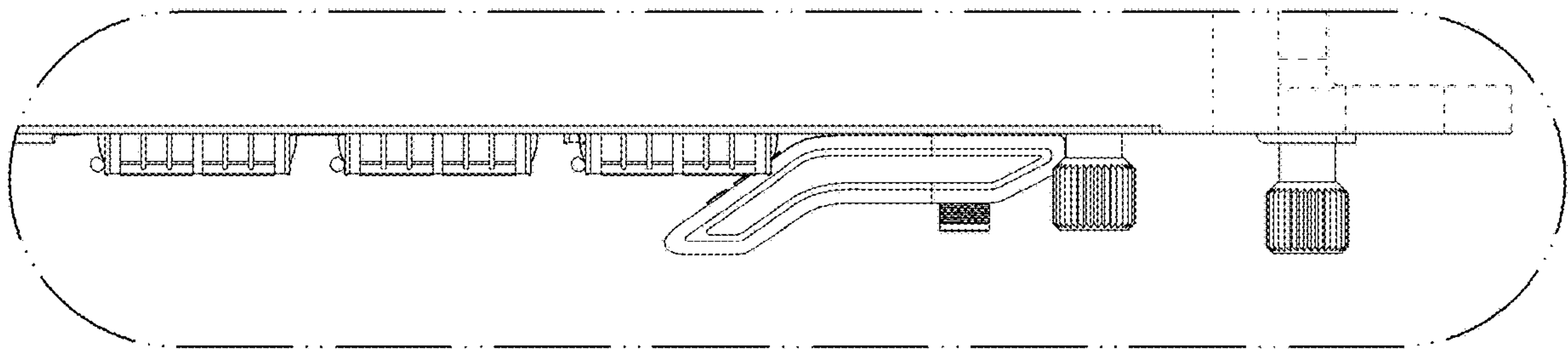


FIG.20

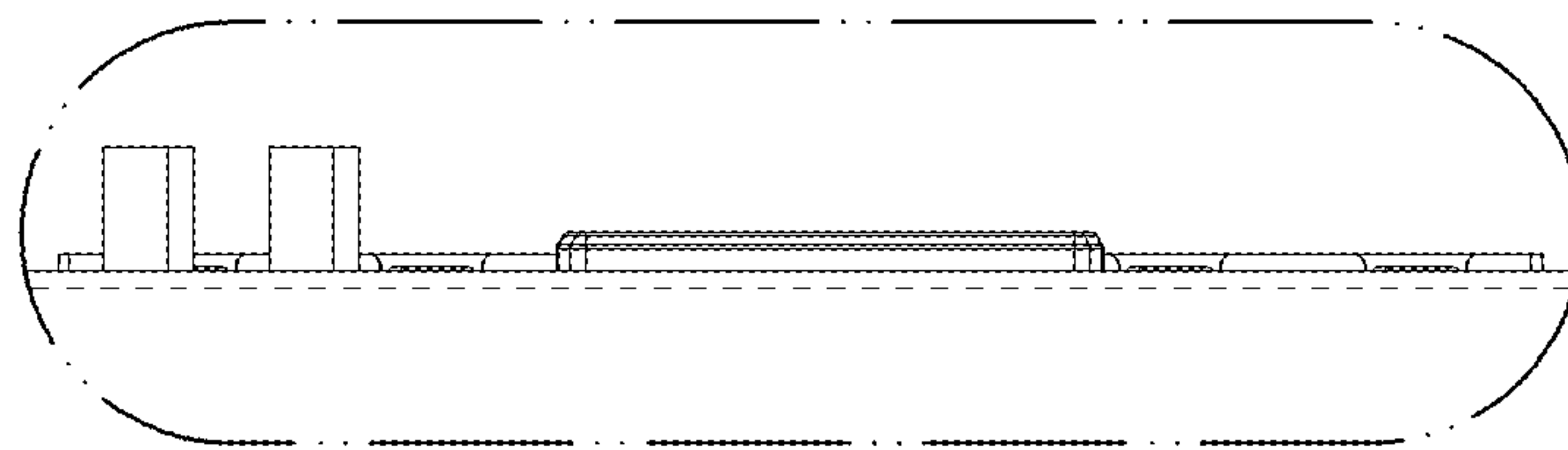


FIG.21

