



US00D886084S

(12) **United States Design Patent** (10) **Patent No.:** **US D886,084 S**  
**Sakamoto et al.** (45) **Date of Patent:** **\*\* Jun. 2, 2020**

(54) **ANTENNA ELEMENT**

(56) **References Cited**

(71) Applicant: **Mitsubishi Electric Corporation**,  
Tokyo (JP)  
(72) Inventors: **Hiroaki Sakamoto**, Tokyo (JP);  
**Takashi Yanagi**, Tokyo (JP); **Yusuke**  
**Kitsukawa**, Tokyo (JP); **Moriyasu**  
**Miyazaki**, Tokyo (JP); **Takuma**  
**Kadoya**, Tokyo (JP); **Yuichi Hagito**,  
Tokyo (JP)  
(73) Assignee: **Mitsubishi Electric Corporation**,  
Tokyo (JP)  
(\*\*) Term: **15 Years**  
(21) Appl. No.: **29/705,882**  
(22) Filed: **Sep. 16, 2019**

U.S. PATENT DOCUMENTS

D621,819	S	*	8/2010	Tsai	.....	D14/230
D685,772	S	*	7/2013	Zheng	.....	D14/230
D706,750	S	*	6/2014	Bringuier	.....	D14/230
D772,849	S	*	11/2016	Chen	.....	D14/230
D810,058	S	*	2/2018	Zheng	.....	D14/230
D814,448	S	*	4/2018	Montgomery	.....	D14/230
D838,261	S	*	1/2019	He	.....	D14/230
D845,284	S	*	4/2019	He	.....	D14/230
2009/0027275	A1	*	1/2009	Su	.....	H01Q 1/242
						343/700 MS
2010/0134358	A1	*	6/2010	Su	.....	H01Q 1/38
						343/700 MS

(Continued)

*Primary Examiner* — John Windmuller

(74) *Attorney, Agent, or Firm* — Studebaker & Brackett  
PC

(57) **CLAIM**

The ornamental design for an antenna element, as shown and described.

**DESCRIPTION**

FIG. 1. is a front perspective view of the front, right, and top sides of an antenna element showing our new design;  
FIG. 2. is a front view thereof;  
FIG. 3. is a rear view thereof;  
FIG. 4. is a right side view thereof, a left side view being a mirror image thereof;  
FIG. 5. is a top plan view thereof;  
FIG. 6. is a bottom view thereof; and,  
FIG. 7. is a reference view of usage.  
The broken lines of the antenna element shown in FIGS. 1-6 form no part of the claimed design.  
The broken lines of the antenna element shown in FIG. 7 form no part of the claimed design and the remaining broken lines shown in FIG. 7 illustrate environmental subject matter and form no part of the claimed design.

**Related U.S. Application Data**

(62) Division of application No. 29/633,297, filed on Jan. 12, 2018.

**Foreign Application Priority Data**

Sep. 29, 2017 (JP) ..... 2017-021392  
Sep. 29, 2017 (JP) ..... 2017-021393

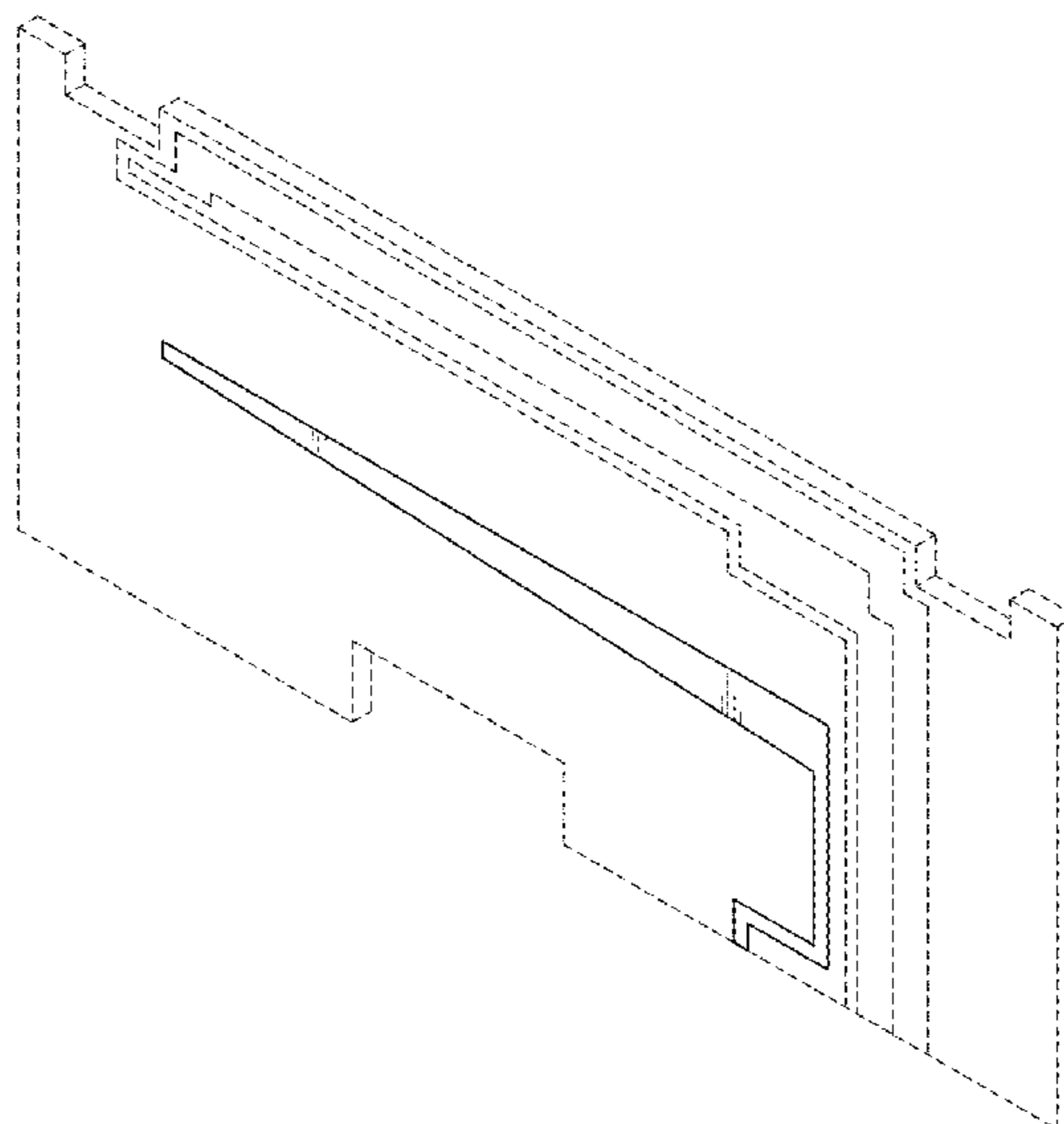
(51) **LOC (12) Cl.** ..... **14-03**

(52) **U.S. Cl.**  
USPC ..... **D14/230**

(58) **Field of Classification Search**

USPC ..... D14/138, 230-238, 299, 358; D12/42, D12/43  
CPC ..... H01Q 7/00; H01Q 13/10; H01Q 9/285;  
H01Q 19/30; H01Q 19/12; H01Q 1/38;  
H01Q 1/36; H01Q 2/0027; H01Q 1/48;  
H01Q 9/045; H01Q 1/243; H04B 1/0475;  
H04B 1/034; H05K 11/00  
See application file for complete search history.

**1 Claim, 4 Drawing Sheets**



(56)

**References Cited**

U.S. PATENT DOCUMENTS

2012/0229348 A1\* 9/2012 Chiang ..... H01Q 1/2266  
343/702  
2017/0098636 A1\* 4/2017 Miyamoto ..... H01L 25/167

\* cited by examiner

FIG. 1

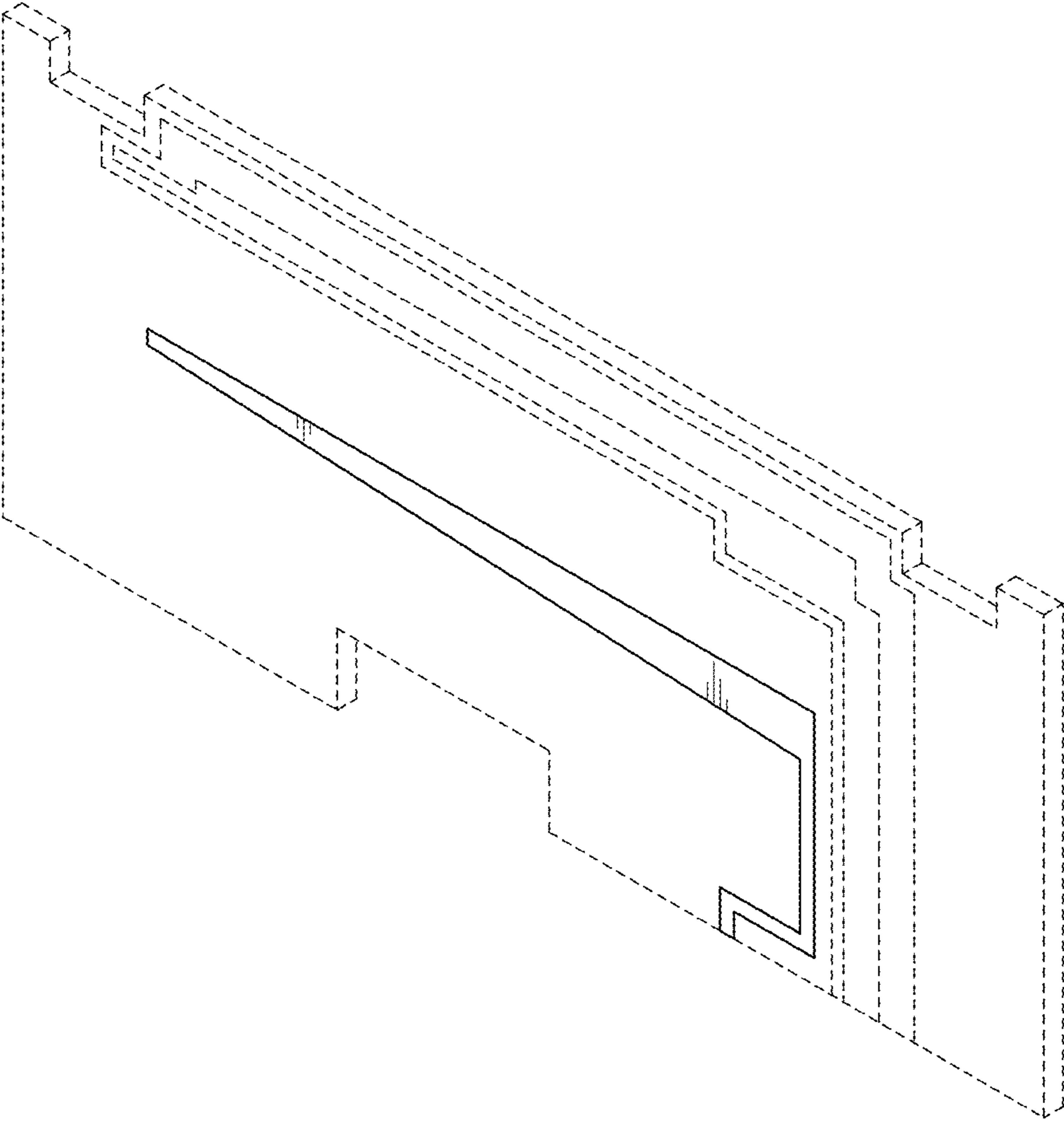


FIG. 2

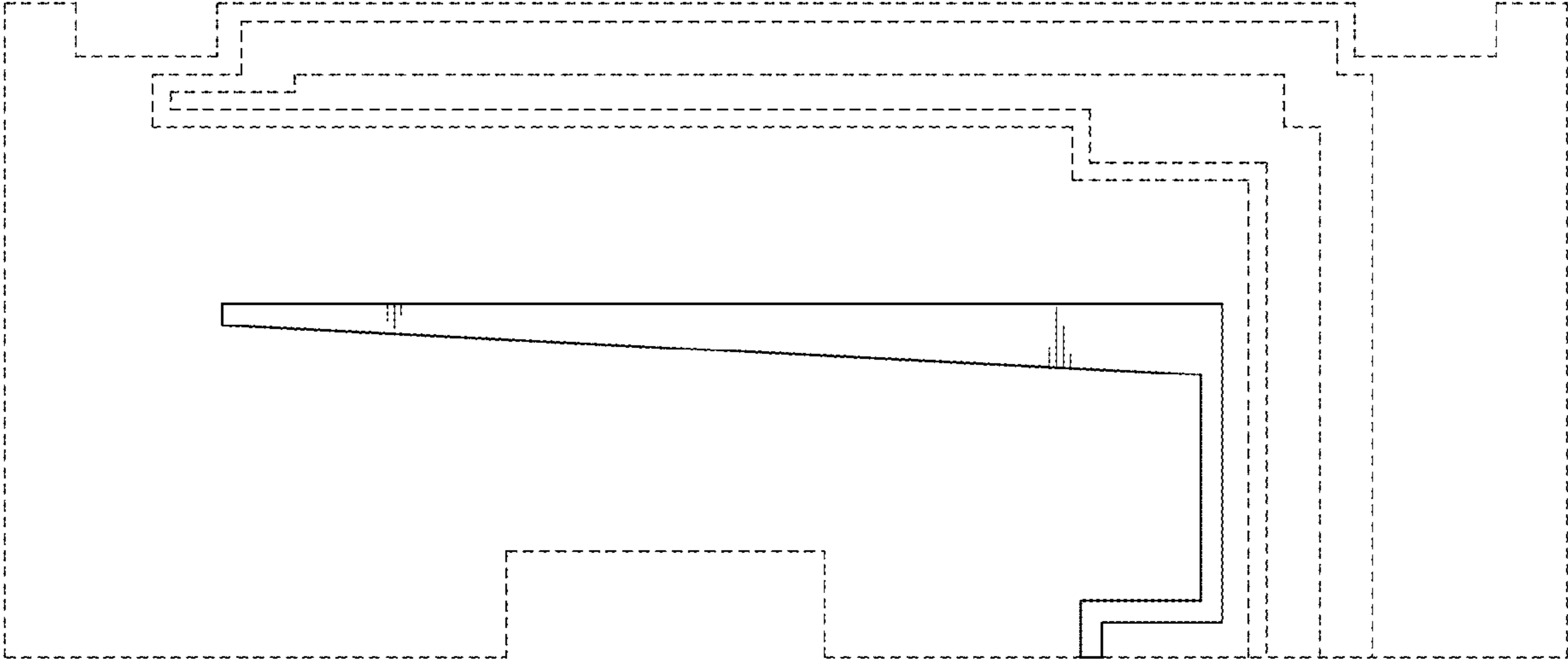
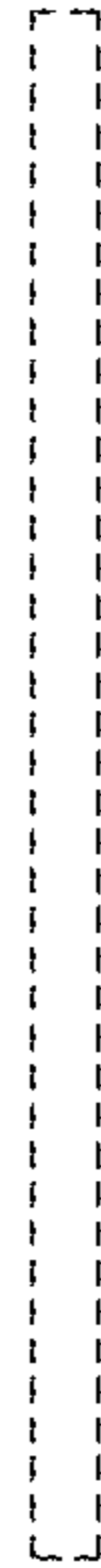


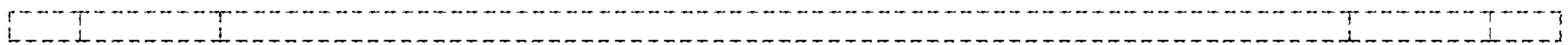
FIG. 3



*FIG. 4*



*FIG. 5*



*FIG. 6*

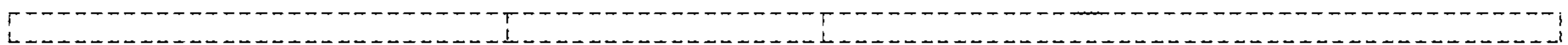


FIG. 7

