



US00D886083S

(12) **United States Design Patent**  
**Cho et al.**

(10) **Patent No.:** **US D886,083 S**

(45) **Date of Patent:** **\*\* Jun. 2, 2020**

(54) **COMBINED WIRELESS EARPHONE AND MICROPHONE**

(71) Applicant: **LG ELECTRONICS INC., Seoul (KR)**

(72) Inventors: **Seihyun Cho, Seoul (KR); Minjung Koh, Seoul (KR); Hyunju Kim, Seoul (KR); Goeun Lee, Seoul (KR); Chulbae Lee, Seoul (KR)**

(73) Assignee: **LG Electronics Inc., Seoul (KR)**

(\*\*) Term: **15 Years**

(21) Appl. No.: **35/506,194**

(22) Filed: **Jun. 4, 2018**

(80) **Hague Agreement Data**

Int. Filing Date: **Jun. 4, 2018**

Int. Reg. No.: **DM/103221**

Int. Reg. Date: **Jun. 4, 2018**

Int. Reg. Pub. Date: **Dec. 7, 2018**

(30) **Foreign Application Priority Data**

Dec. 5, 2017 (KR) ..... 30-2017-0057371

(51) **LOC (12) Cl.** ..... **14-03**

(52) **U.S. Cl.**  
USPC ..... **D14/223; D14/206; D14/344**

(58) **Field of Classification Search**  
USPC ..... D14/147, 205, 206, 223, 226, 229, 240,  
D14/249, 344, 372; D24/174  
CPC ..... H04R 1/1008; H04R 1/1016  
See application file for complete search history.

(56) **References Cited**

**U.S. PATENT DOCUMENTS**

D419,564 S \* 1/2000 McDonald ..... D14/223  
D420,010 S \* 2/2000 Pitel ..... D14/223

D464,638 S \* 10/2002 Huang ..... D14/205  
D478,573 S \* 8/2003 Wrisley ..... D14/223  
D484,163 S \* 12/2003 Kim ..... D13/154  
D509,211 S \* 9/2005 Han ..... D14/205  
D569,849 S \* 5/2008 Goransson ..... D14/223  
D580,910 S \* 11/2008 Kim ..... D14/205  
D588,582 S \* 3/2009 Komiyama ..... D14/205  
D592,191 S \* 5/2009 Nousianen ..... D14/223  
D608,767 S \* 1/2010 Liner ..... D14/205  
D634,736 S \* 3/2011 Wikel ..... D14/223  
D651,208 S \* 12/2011 Pacyga ..... D14/240  
D683,331 S \* 5/2013 Nylen ..... D14/218  
D697,501 S \* 1/2014 Fargeau ..... D14/240  
D699,215 S \* 2/2014 Koch ..... D14/205  
D756,972 S \* 5/2016 Park ..... D14/223  
D758,901 S \* 6/2016 Benoit ..... D10/70  
D788,079 S \* 5/2017 Son ..... D14/223  
D788,751 S \* 6/2017 Pejaudier ..... D14/223  
D814,457 S \* 4/2018 Willis ..... D14/344

(Continued)

*Primary Examiner* — George D. Kirschbaum

*Assistant Examiner* — L. A. Grabenstetter

(74) *Attorney, Agent, or Firm* — Birch, Stewart, Kolasch & Birch, LLP

(57) **CLAIM**

The ornamental design for a combined wireless earphone and microphone, as shown and described.

**DESCRIPTION**

1. Combined wireless earphone and microphone

1.1 : Perspective

1.2 : Front

1.3 : Back

1.4 : Left

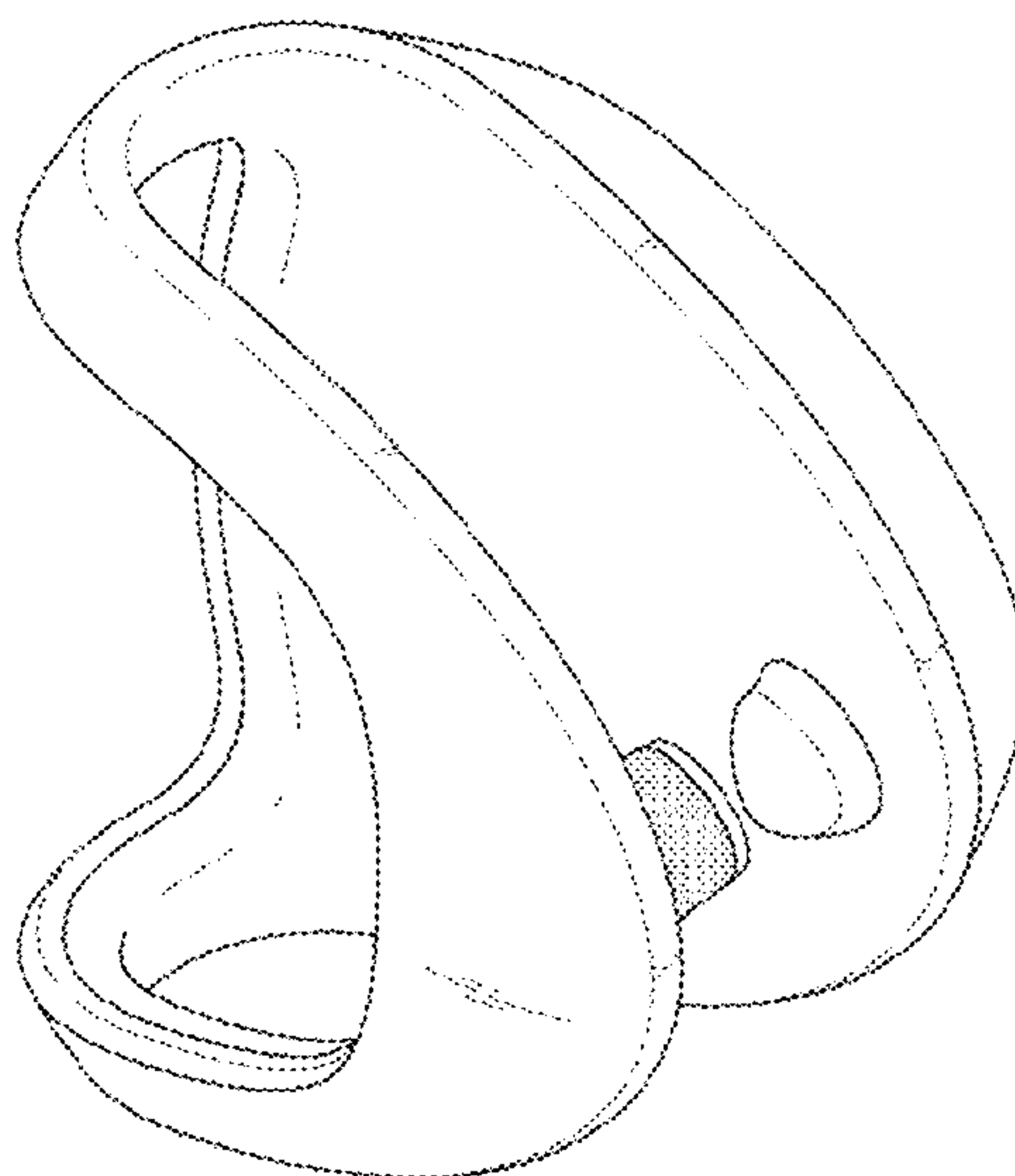
1.5 : Right

1.6 : Top

1.7 : Perspective 2, shown in use

The broken lines depicting a human head in Figure 1.7 represent environment which forms no part of the claimed design.

**1 Claim, 7 Drawing Sheets**



(56)

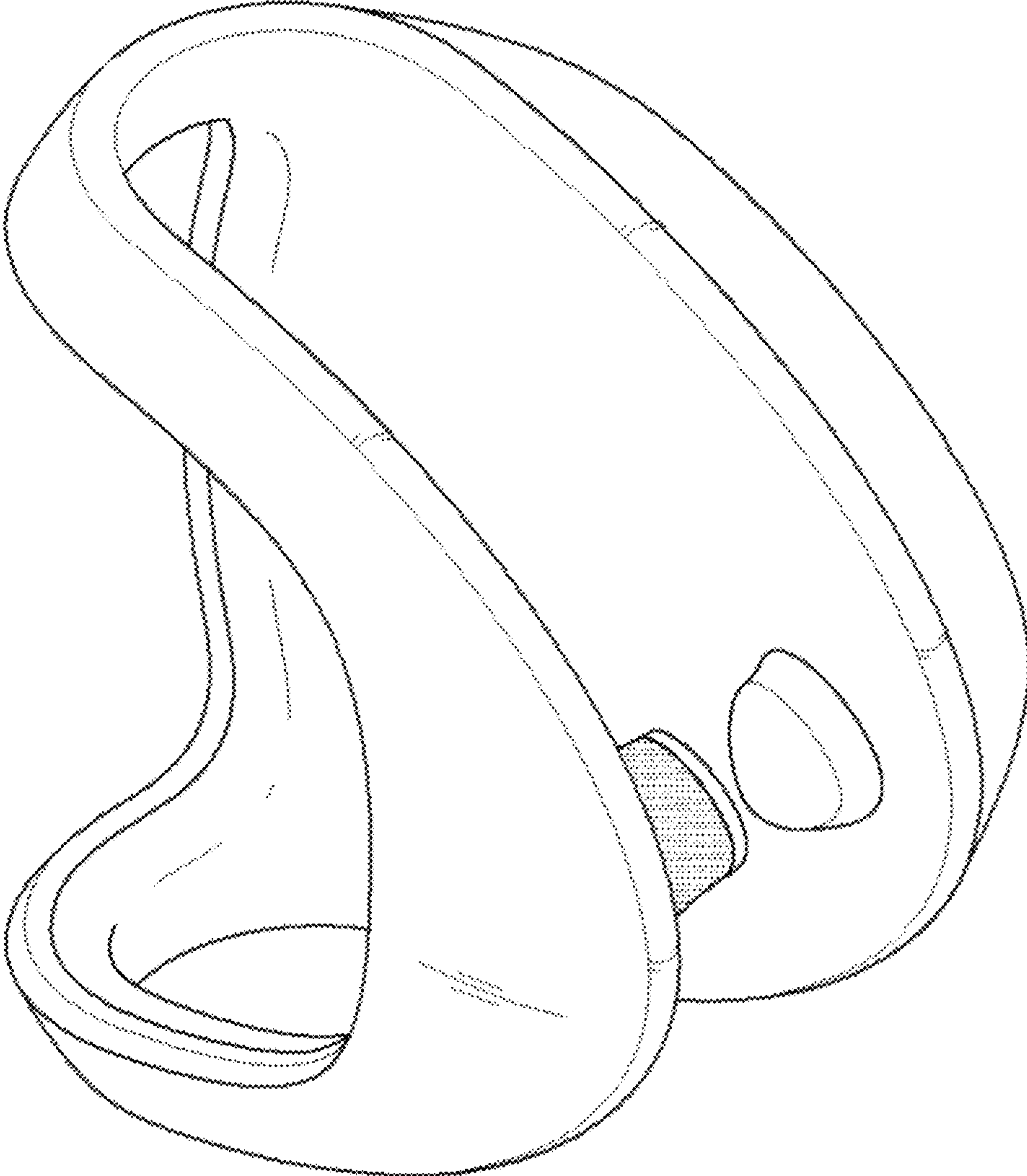
**References Cited**

U.S. PATENT DOCUMENTS

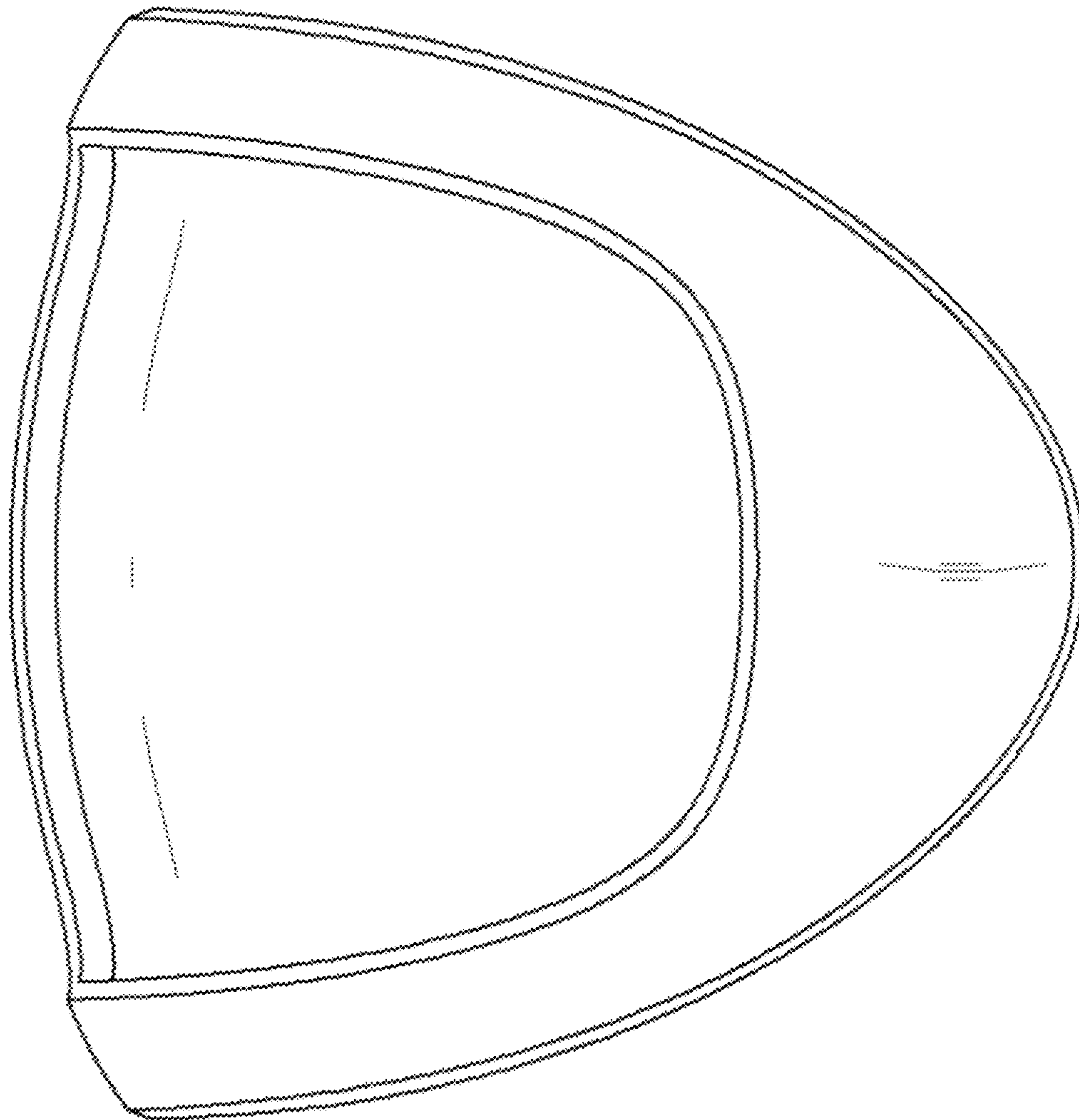
D821,392 S	*	6/2018	Kwon .....	D14/344
D822,007 S	*	7/2018	Willis .....	D14/223
D827,616 S	*	9/2018	Lian .....	D14/223
D828,826 S	*	9/2018	Schaal .....	D14/223
D829,692 S	*	10/2018	Paschke .....	D14/223

\* cited by examiner

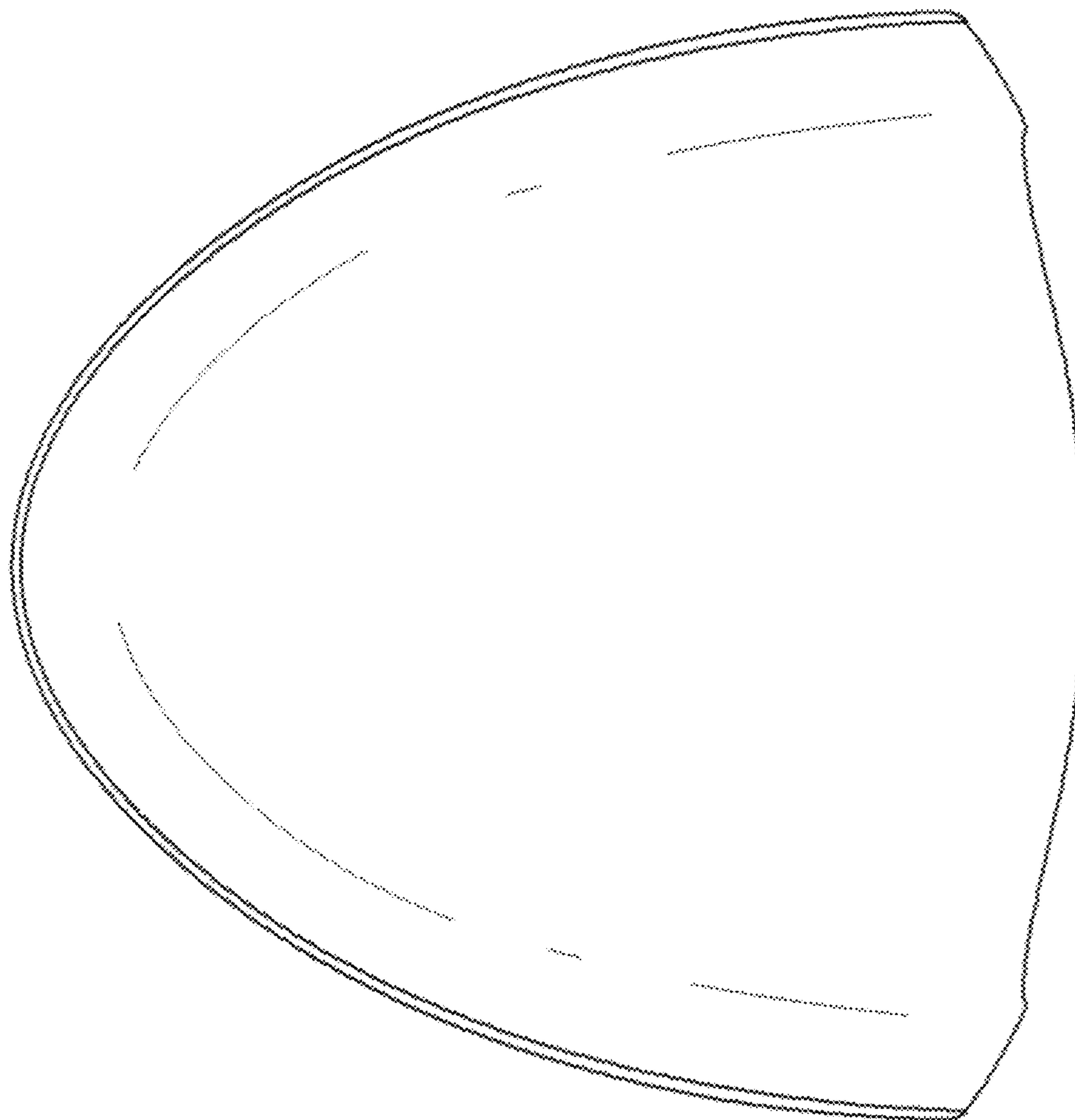
**1.1**



1.2

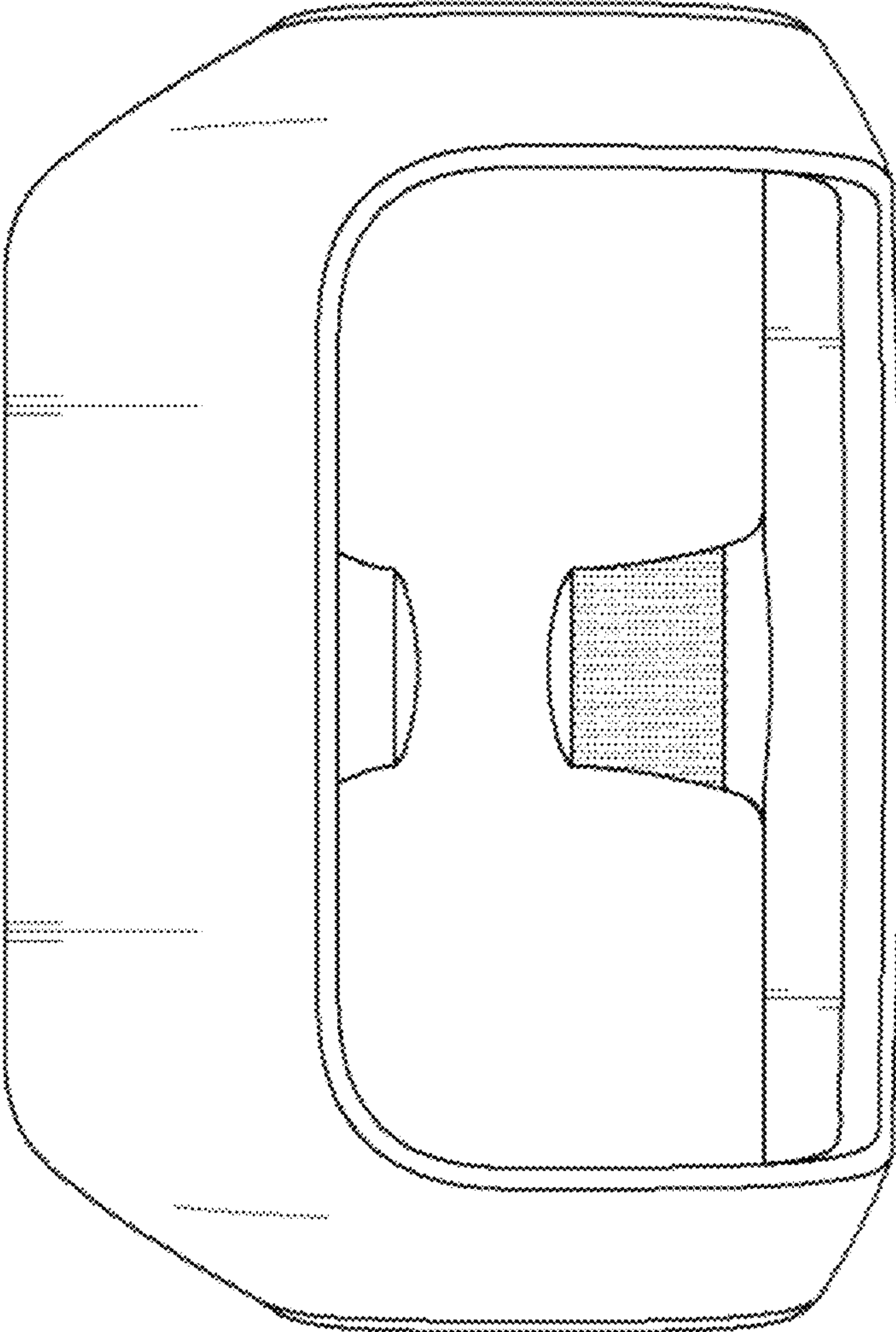


1.3

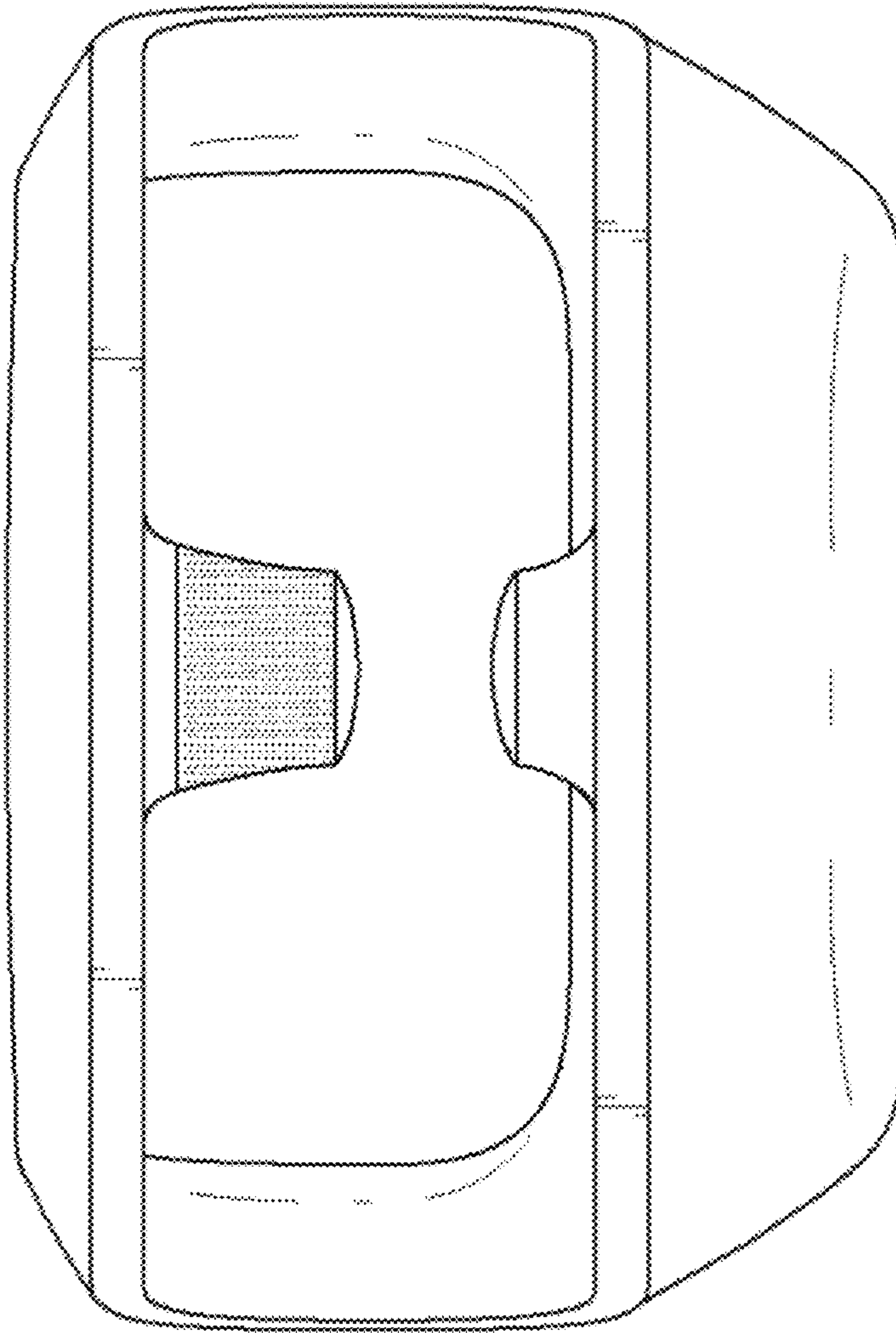




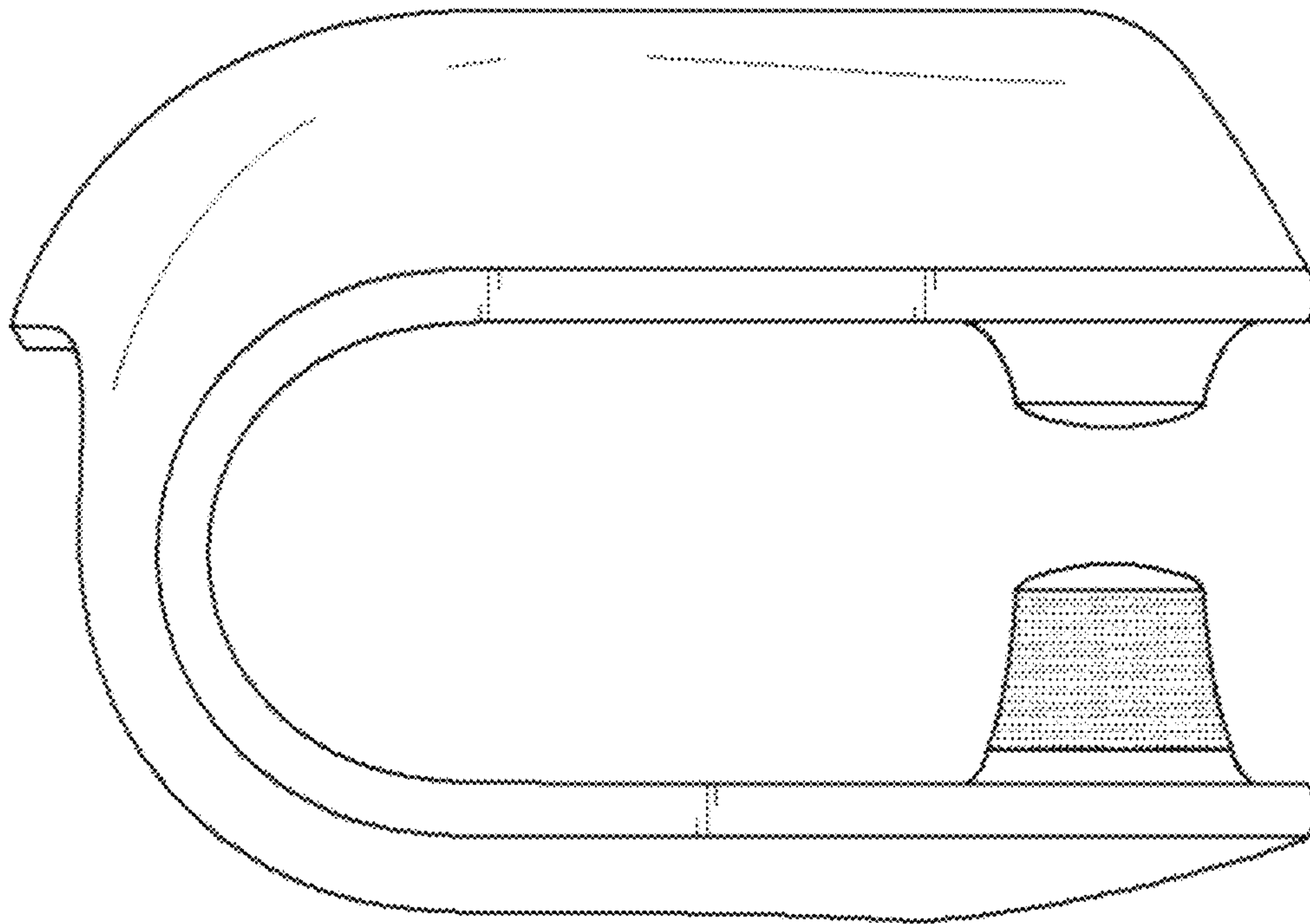
1.4



1.5



1.6





1.7

