



US00D886079S

(12) **United States Design Patent**
Feng

(10) **Patent No.:** **US D886,079 S**

(45) **Date of Patent:** **** Jun. 2, 2020**

(54) **AUDIO PLAYER**

(71) Applicant: **Shenzhen Humboldt Technology Co., Ltd**, Shenzhen (CN)

(72) Inventor: **Jianwei Feng**, Guangdong (CN)

(**) Term: **15 Years**

(21) Appl. No.: **29/717,316**

(22) Filed: **Dec. 17, 2019**

(51) **LOC (12) Cl.** **14-01**

(52) **U.S. Cl.**

USPC **D14/216**

(58) **Field of Classification Search**

USPC D14/167, 168, 170–172, 188, 194–196, D14/204, 209.1, 210–216, 219, 221, 222, D14/224, 239, 496, 162, 169, 175, 179, D14/189, 197, 198, 207, 257, 265, 299

CPC B60R 11/0217; G06F 1/1688; G10K 9/22; G10K 11/004; H03F 1/327; H04M 1/03; H04M 1/035; H04N 5/642; H04N 21/4852; H04R 1/02; H04R 1/06; H04R 1/021; H04R 1/025; H04R 1/026; H04R 1/028; H04R 1/105; H04R 1/323; H04R 1/403; H04R 1/2803; H04R 1/2834; H04R 5/02; H04R 7/20; H04R 9/06; H04R 9/025; H04R 2201/021; H04R 2400/00; H04R 2400/07; H04R 2499/11; H04R 2499/13; H04R 2499/15; H04S 3/00; H04S 7/30

See application file for complete search history.

(56) **References Cited**

U.S. PATENT DOCUMENTS

D546,812 S 7/2007 Hirose et al.
D756,956 S * 5/2016 Van Den Nieuwenhuizen
D14/204

D814,436 S * 4/2018 Wen D14/150
D815,149 S * 4/2018 Langhammer D14/496
D820,318 S * 6/2018 Mullins D14/496
D826,205 S * 8/2018 Langhammer D14/203.6
D857,648 S * 8/2019 Okuley D14/204
D863,258 S * 10/2019 Song D14/218
D865,716 S * 11/2019 Kuang D14/216
D868,031 S * 11/2019 Ryu D14/216
D868,032 S * 11/2019 Wen D14/216

* cited by examiner

Primary Examiner — Keli L Hill

(74) *Attorney, Agent, or Firm* — ZANIP

(57) **CLAIM**

The ornamental design for an audio player, as shown and described.

DESCRIPTION

FIG. 1 is a rear and top perspective view of an audio player, showing my new design;

FIG. 2 is a front and bottom perspective view thereof;

FIG. 3 is a front elevational view thereof;

FIG. 4 is a rear elevational view thereof;

FIG. 5 is a left side elevational view thereof;

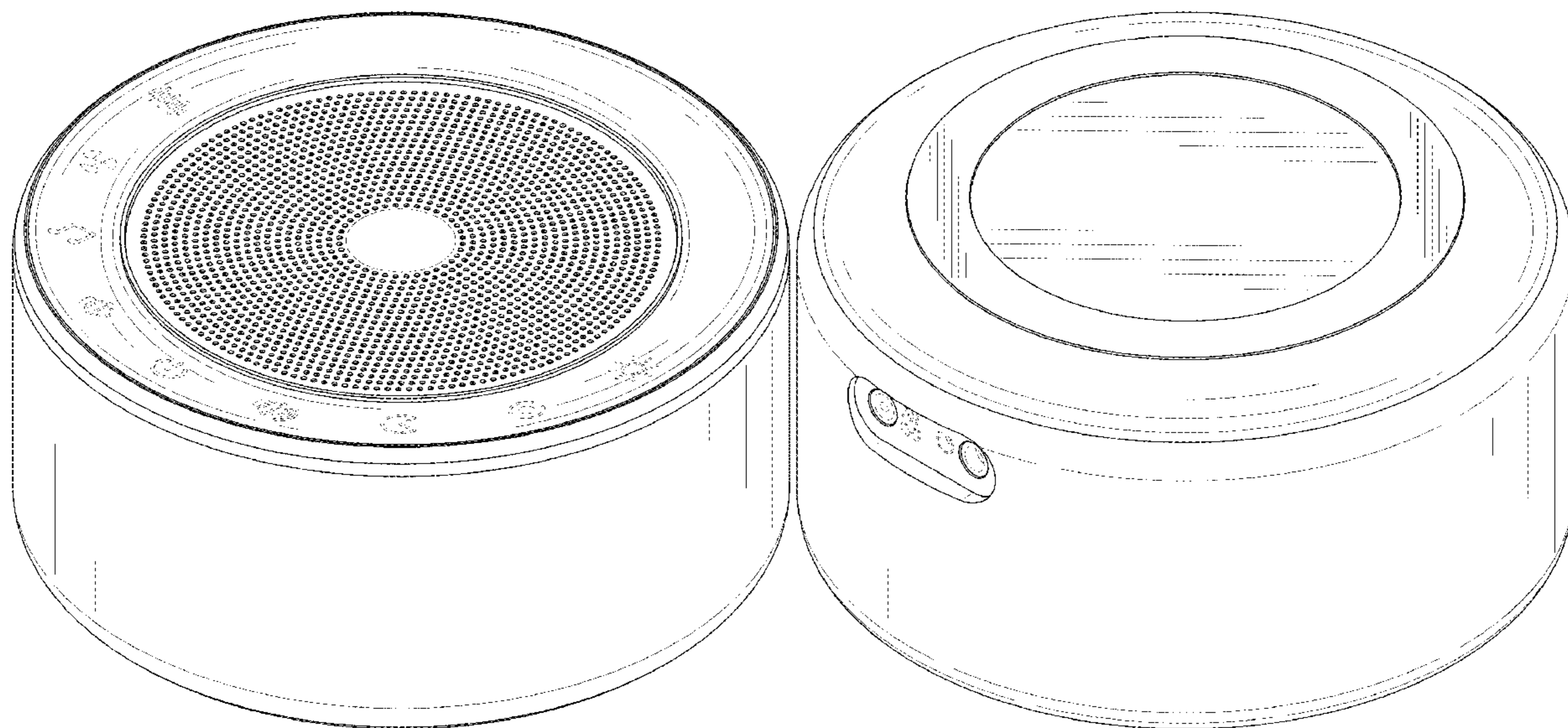
FIG. 6 is a right side elevational view thereof;

FIG. 7 is a top plan view thereof; and,

FIG. 8 is a bottom plan view thereof.

The broken lines in the figures illustrate portions of the audio player that form no part of the claimed design.

1 Claim, 8 Drawing Sheets



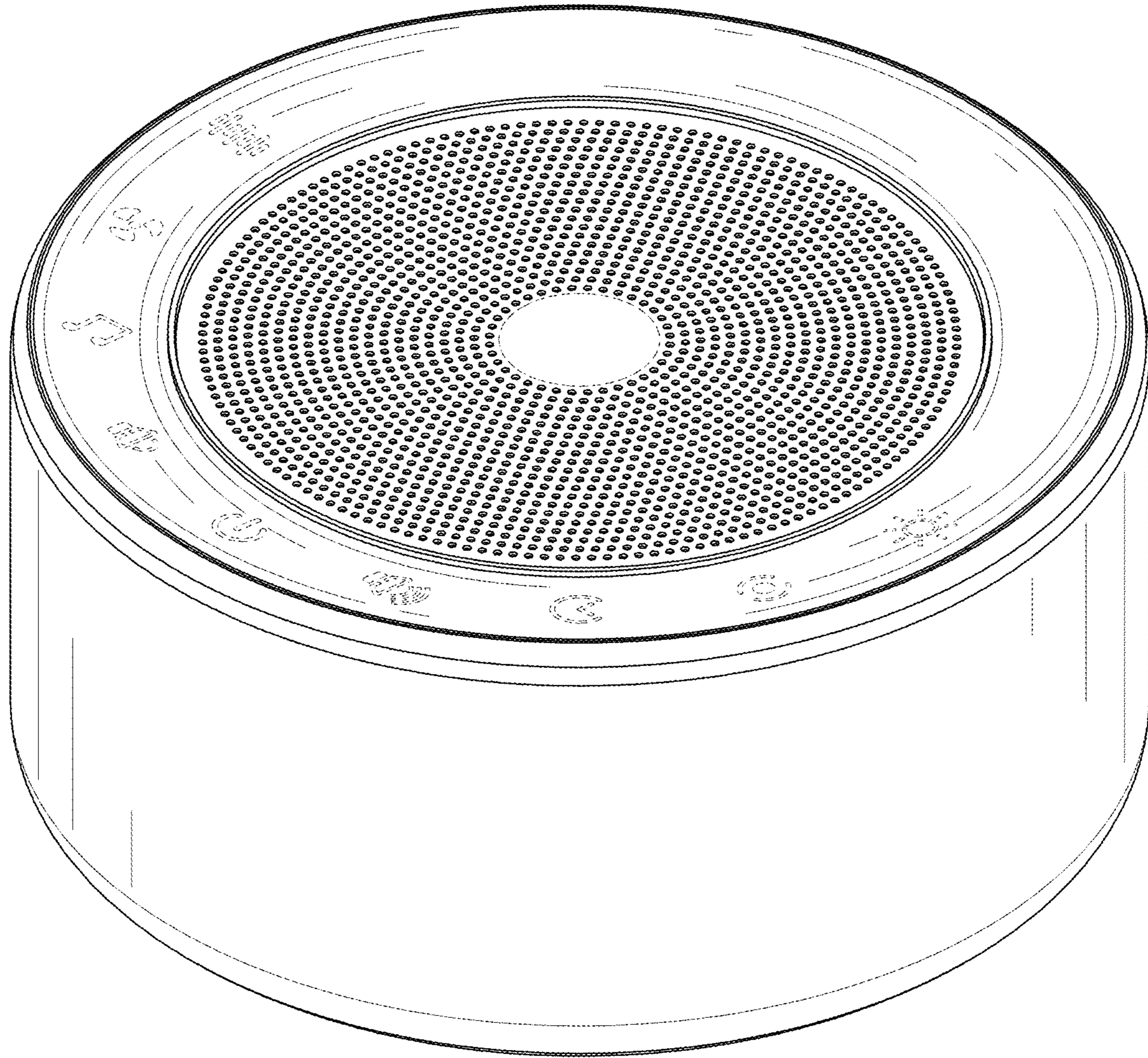


FIG. 1

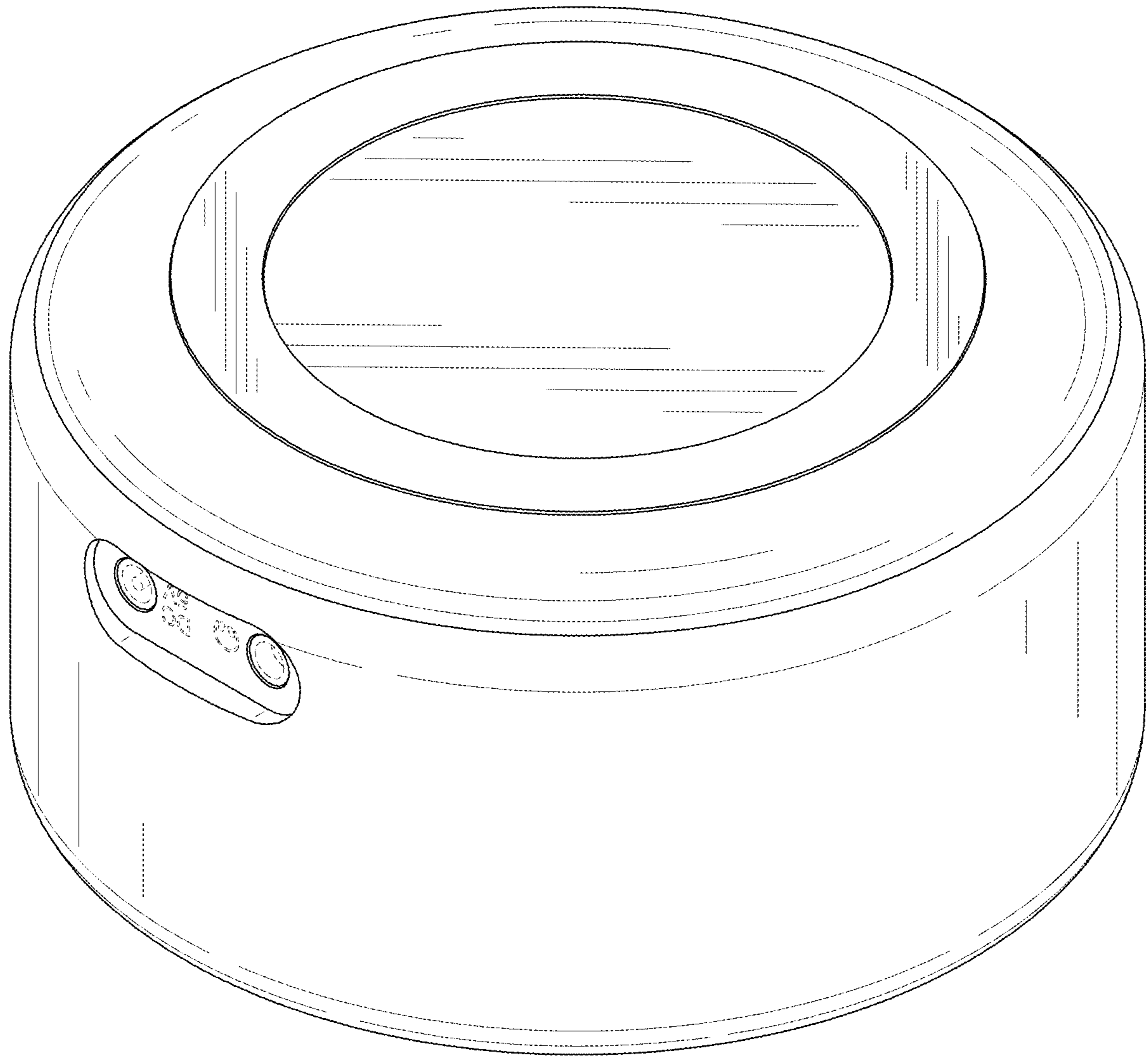


FIG. 2

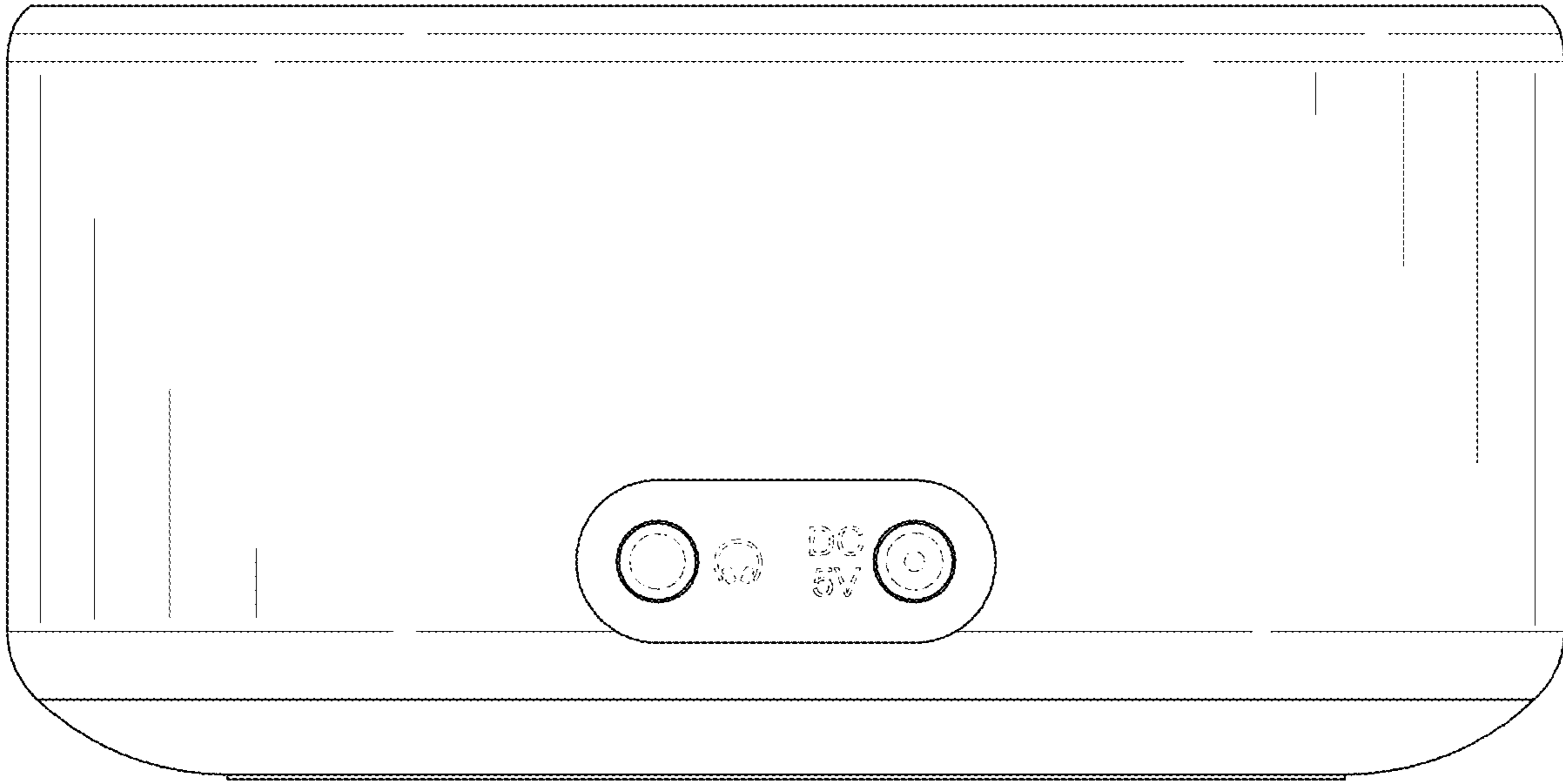


FIG. 3

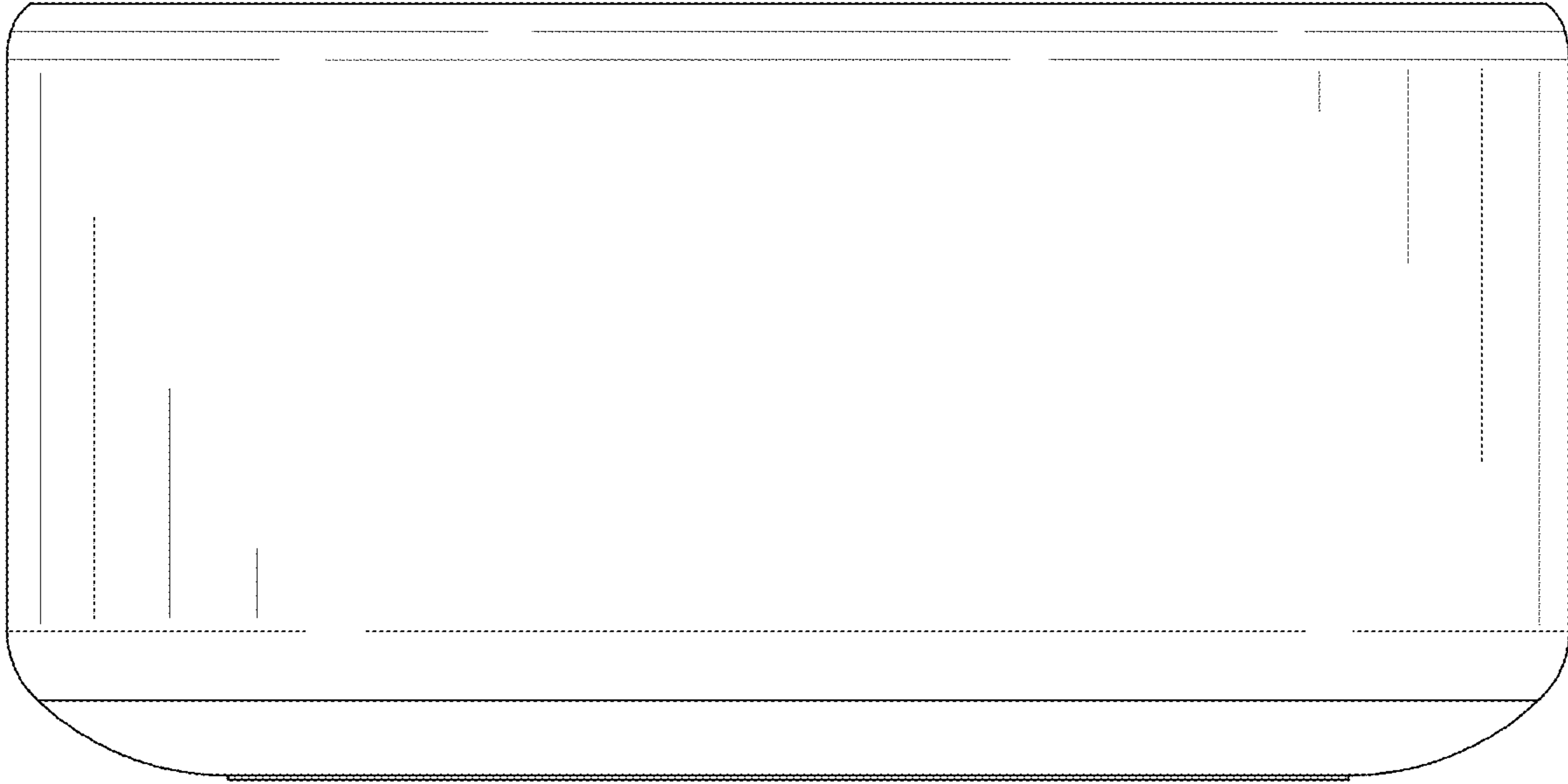


FIG. 4

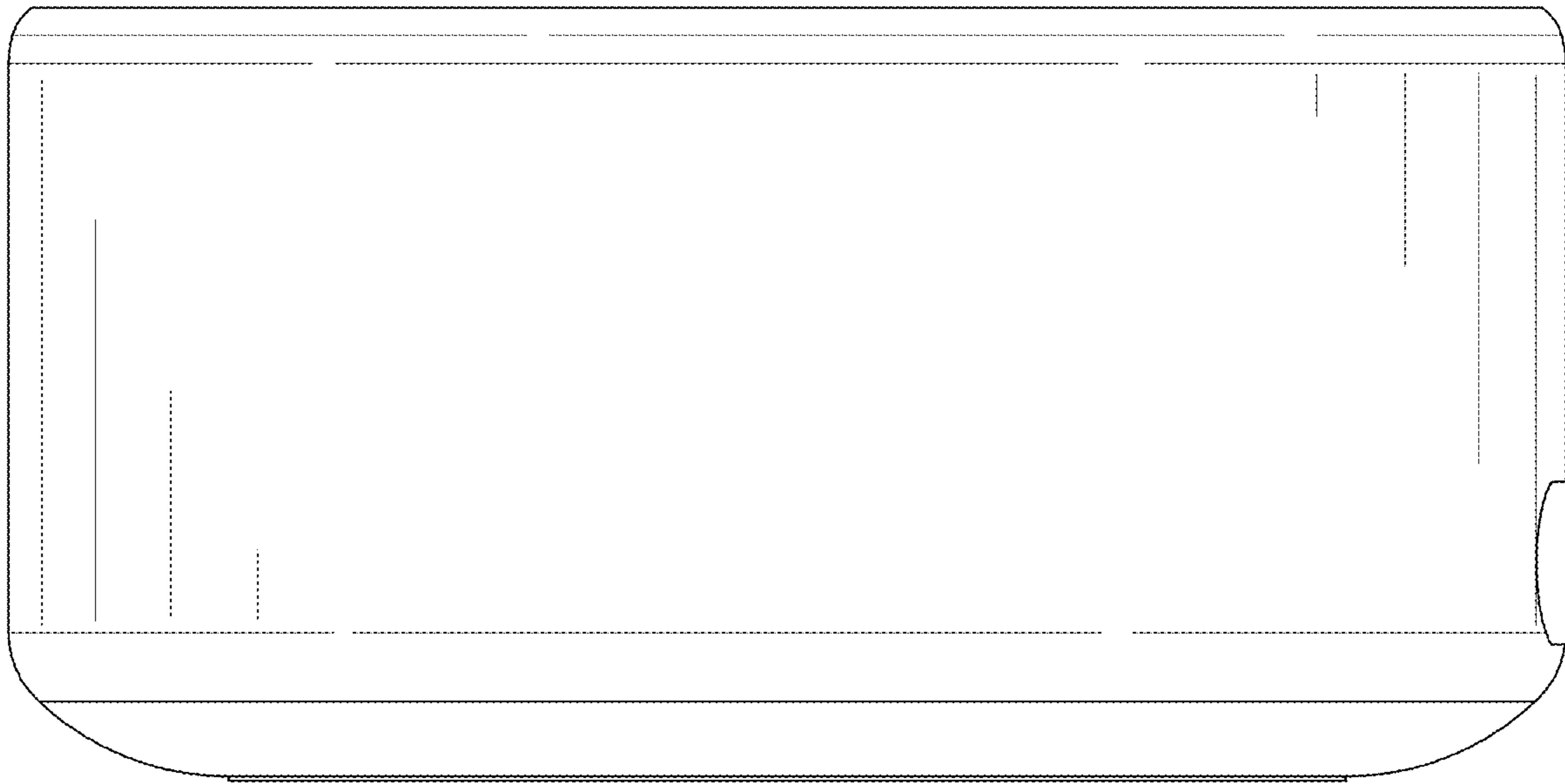


FIG. 5

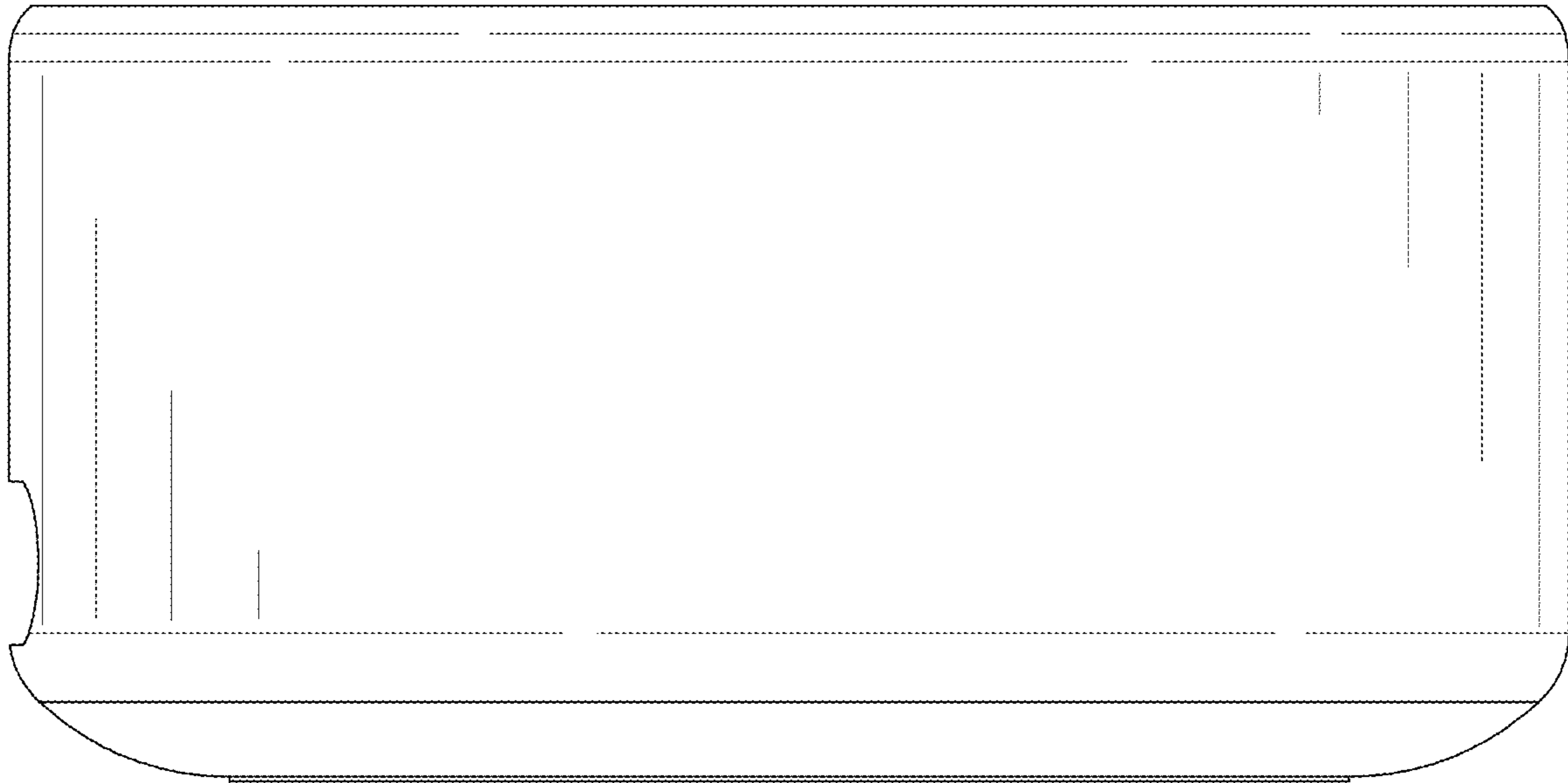


FIG. 6

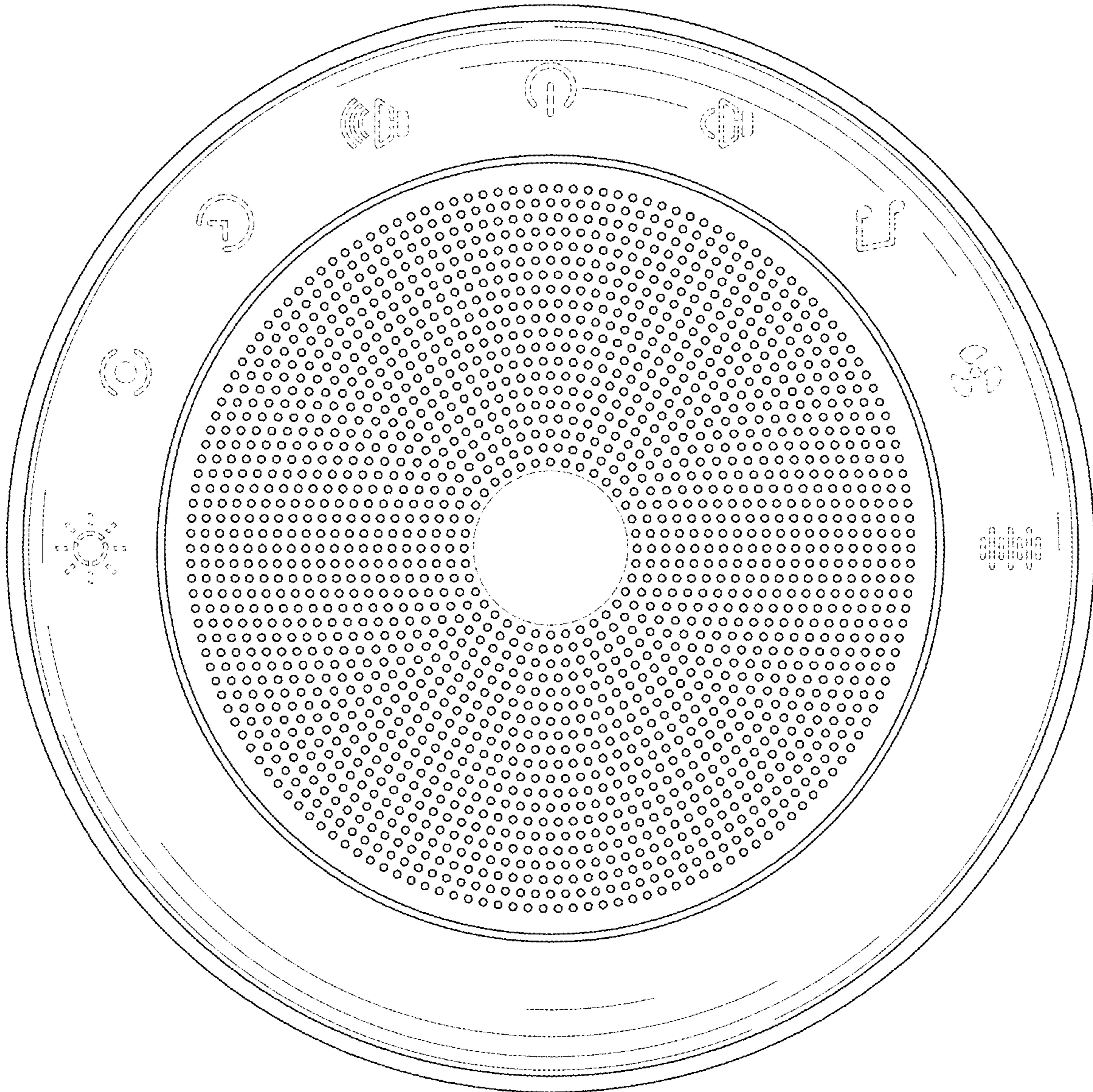


FIG. 7

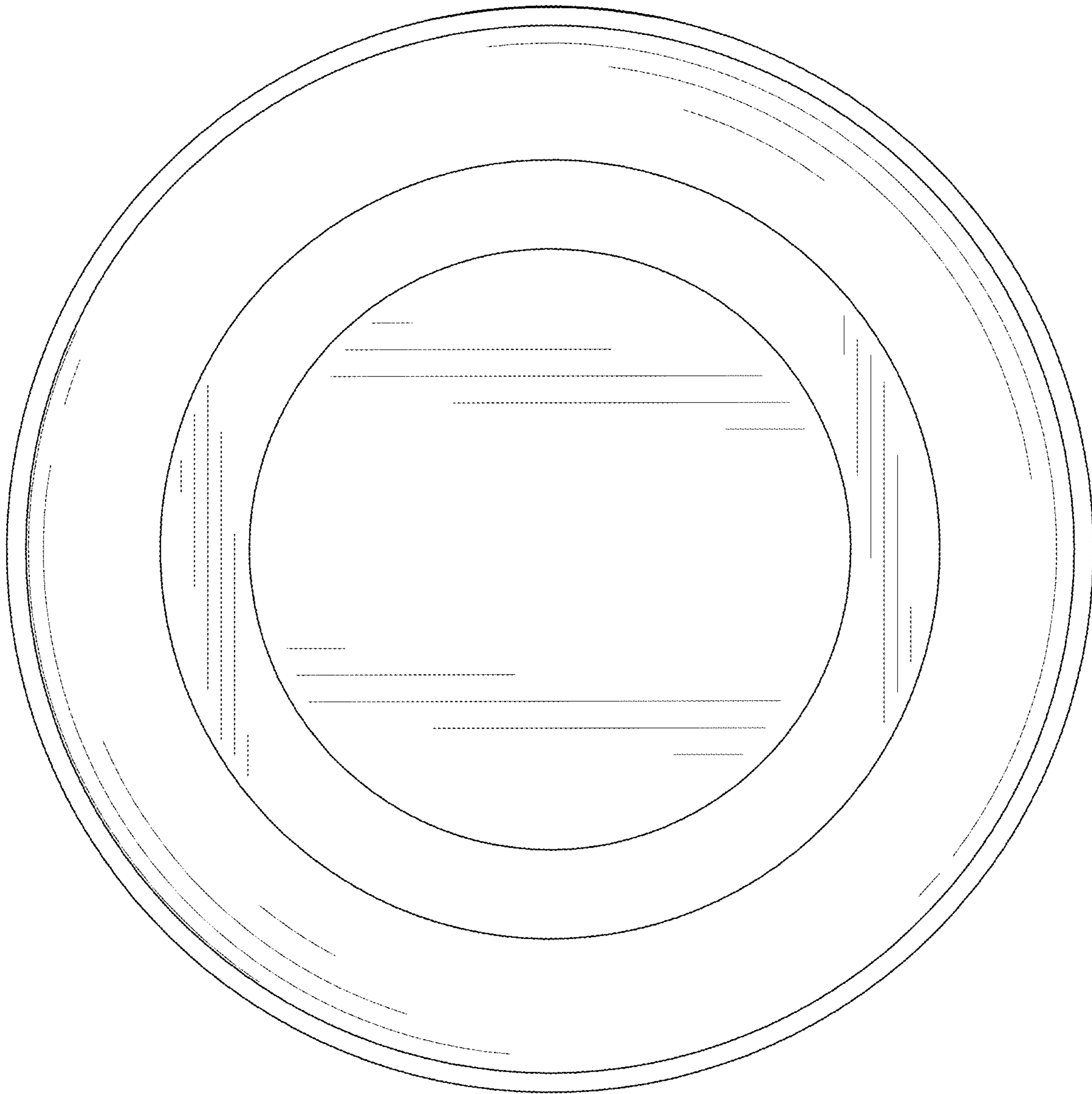


FIG. 8