



US00D886078S

(12) **United States Design Patent**
He

(10) **Patent No.:** **US D886,078 S**
(45) **Date of Patent:** **** Jun. 2, 2020**

- (54) **CHILD HEADPHONES**
- (71) Applicant: **Shenzhen Thousandshores Technology Co., Ltd., Shenzhen (CN)**
- (72) Inventor: **Ding He, Shenzhen (CN)**
- (**) Term: **15 Years**
- (21) Appl. No.: **29/678,001**
- (22) Filed: **Jan. 25, 2019**
- (51) **LOC (12) Cl.** **14-01**
- (52) **U.S. Cl.**
USPC **D14/206; D14/205; D14/226**
- (58) **Field of Classification Search**
USPC D14/206, 205, 188, 192, 226; D29/112;
2/209; 181/129; 381/383
CPC H04R 25/00; H04R 25/02; H04R 1/1066;
H04R 1/1016; H04R 5/033; H04R
5/0335; H04R 1/1083; H04R 1/1091;
H04R 1/105; H04R 19/04
See application file for complete search history.

- 7,072,483 B2 * 7/2006 Lenhard-Backhaus
H04R 1/1066
381/370
- D529,898 S * 10/2006 Kuribayashi D14/215
- D531,165 S * 10/2006 Rath D14/206
- 7,172,052 B2 * 2/2007 Lenhard-Backhaus
H04R 1/1066
181/129
- D563,382 S * 3/2008 Wikel D14/205
- D573,581 S * 7/2008 Gondo D14/205
- D589,492 S * 3/2009 Mistry D14/205
- D604,266 S * 11/2009 Milde D14/205
- D615,068 S * 5/2010 Yuasa D14/216
- D637,176 S * 5/2011 Brunner D14/205
- D647,081 S * 10/2011 Kwon D14/223
- D654,475 S * 2/2012 Chen D14/215
- D662,080 S * 6/2012 Carr D14/205
- D666,993 S * 9/2012 Kelley D14/205
- D669,451 S * 10/2012 Tappeiner D14/205
- D673,136 S * 12/2012 Kelly D14/205

(Continued)

Primary Examiner — Paula Allen Greene
(74) *Attorney, Agent, or Firm* — Erson IP (Nelson IP)

(57) **CLAIM**

The ornamental design for a child headphones, as shown and described.

DESCRIPTION

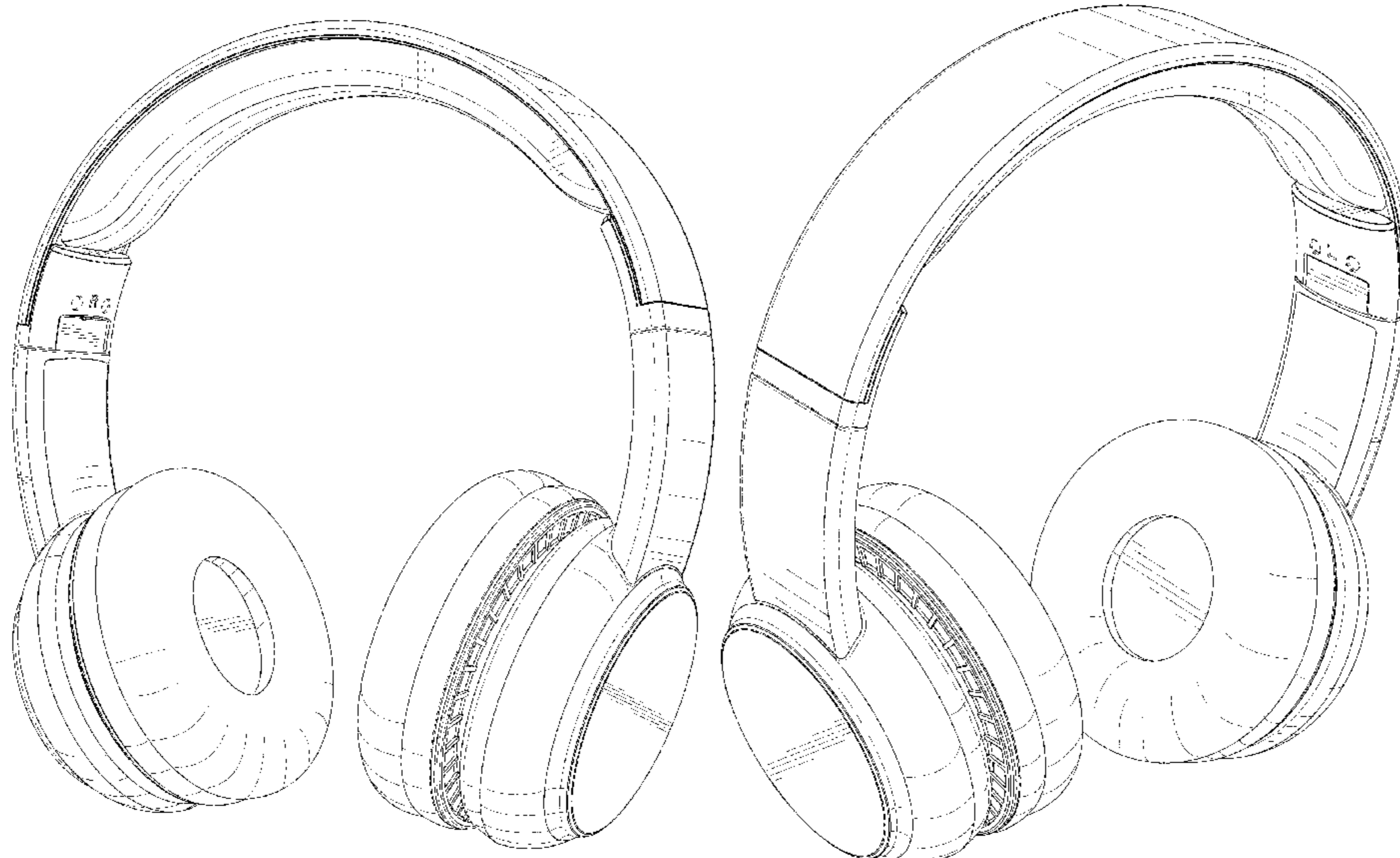
FIG. 1 is a perspective view of a child headphones showing my new design;
FIG. 2 is another perspective view thereof;
FIG. 3 is a front view thereof;
FIG. 4 is a rear view thereof;
FIG. 5 is a left side view thereof;
FIG. 6 is a right side view thereof;
FIG. 7 is a top plan view thereof; and,
FIG. 8 is a bottom plan view thereof.
The broken lines are for the purposes of illustrating portions of the child headphones and form no part of the claimed design.

1 Claim, 8 Drawing Sheets

(56) **References Cited**

U.S. PATENT DOCUMENTS

- 3,488,457 A * 1/1970 Lahti H04R 1/1008
381/371
- D254,183 S * 2/1980 Doodson D14/205
- D262,019 S * 11/1981 Upshaw D14/205
- D305,541 S * 1/1990 Hirose D14/205
- D344,730 S * 3/1994 Gattey D14/206
- 5,303,426 A * 4/1994 Jones A41D 20/00
2/181
- 6,081,604 A * 6/2000 Hikichi H04R 1/083
381/124
- D431,550 S * 10/2000 Yoneda D14/205
- D453,015 S * 1/2002 Yuyama D14/192
- 6,483,925 B1 * 11/2002 Shen H04R 1/105
381/370
- 6,654,966 B2 * 12/2003 Rolla H04R 1/1066
2/209



(56)

References Cited

U.S. PATENT DOCUMENTS

D678,860 S *	3/2013	Hagelin	D14/205	D834,260 S *	11/2018	Garcia Mansilla	D29/112
D683,329 S *	5/2013	Hagelin	D14/205	D840,373 S *	2/2019	Lee	D14/206
D684,559 S *	6/2013	Groset	D14/205	D845,927 S *	4/2019	Wang	D14/206
D691,579 S *	10/2013	Lee	D14/205	D848,395 S *	5/2019	Kelley	D14/205
D691,984 S *	10/2013	Wang	D14/205	D851,064 S *	6/2019	Wang	D14/206
D692,853 S *	11/2013	Nokuo	D14/205	D851,839 S *	6/2019	Scanlon	D29/112
8,767,996 B1 *	7/2014	Lin	H04R 1/1091	D852,776 S *	7/2019	Zhu	D14/205
				381/380	D856,967 S *	8/2019	Tang	D14/206
D723,509 S *	3/2015	Garland	D14/205	D869,437 S *	12/2019	Hu	D14/205
D725,630 S *	3/2015	Nakagawa	D14/205	D870,698 S *	12/2019	Long	D14/206
D750,041 S *	2/2016	Birger	D14/205	D871,367 S *	12/2019	Zhijun	D14/205
D769,219 S *	10/2016	Ohmachi	D14/205	D876,392 S *	2/2020	Zhou	D14/206
D769,221 S *	10/2016	Pedersen	D14/206	D877,115 S *	3/2020	Kelley	D14/205
D775,104 S *	12/2016	Lee	D14/205	D878,327 S *	3/2020	Dhondt	D14/205
D778,258 S *	2/2017	Hsu	D14/205	D879,066 S *	3/2020	Chen	D14/205
D794,602 S *	8/2017	Riggs	D14/205	D879,742 S *	3/2020	Hu	D14/205
D806,675 S *	1/2018	Fuglsang	D14/206	2007/0121984 A1 *	5/2007	Chen	H04R 1/1041
D808,359 S *	1/2018	Meyer	D14/205					381/367
D812,035 S *	3/2018	Petersen	D14/205	2012/0328119 A1 *	12/2012	Heise	H04R 1/1066
									381/74
					2019/0379962 A1 *	12/2019	Navid	H04R 1/38

* cited by examiner



Fig.1



Fig.2



Fig.3



Fig.4

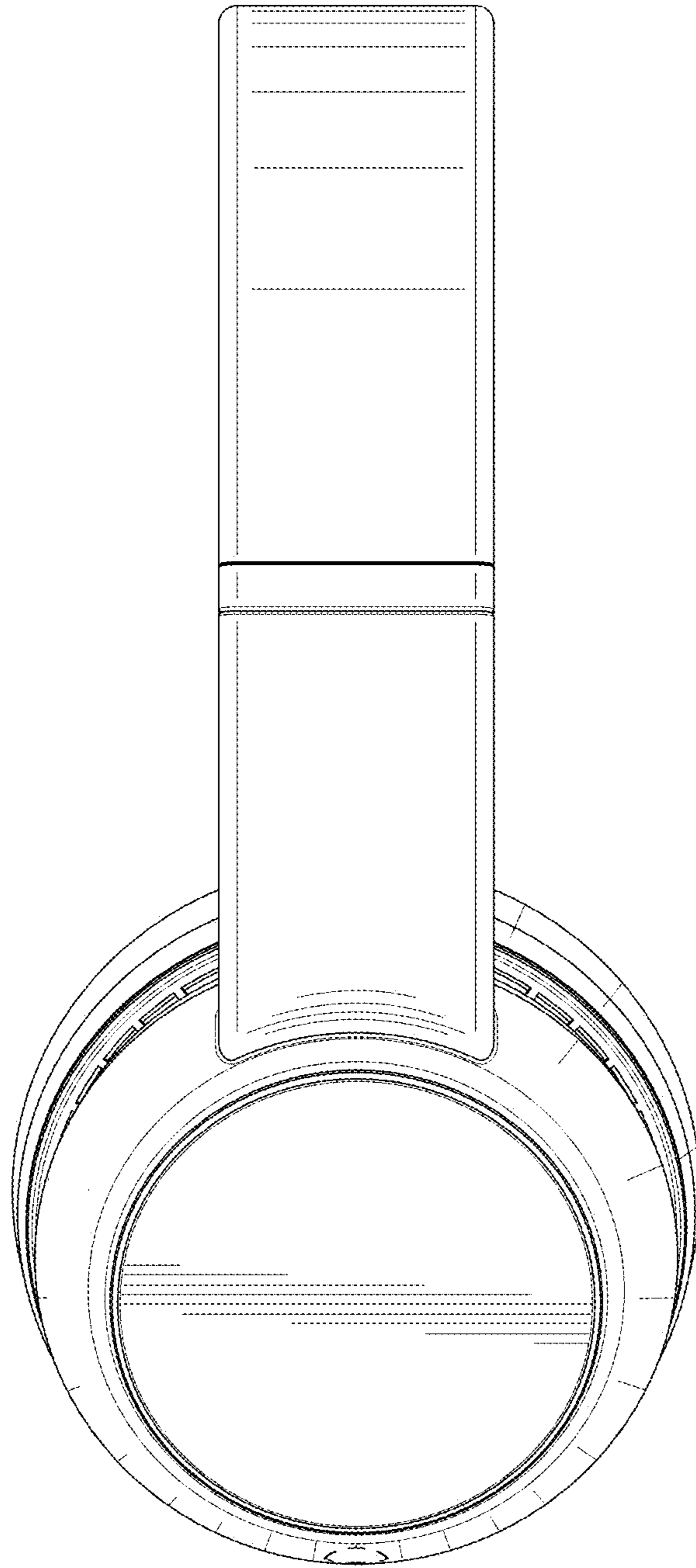


Fig.5

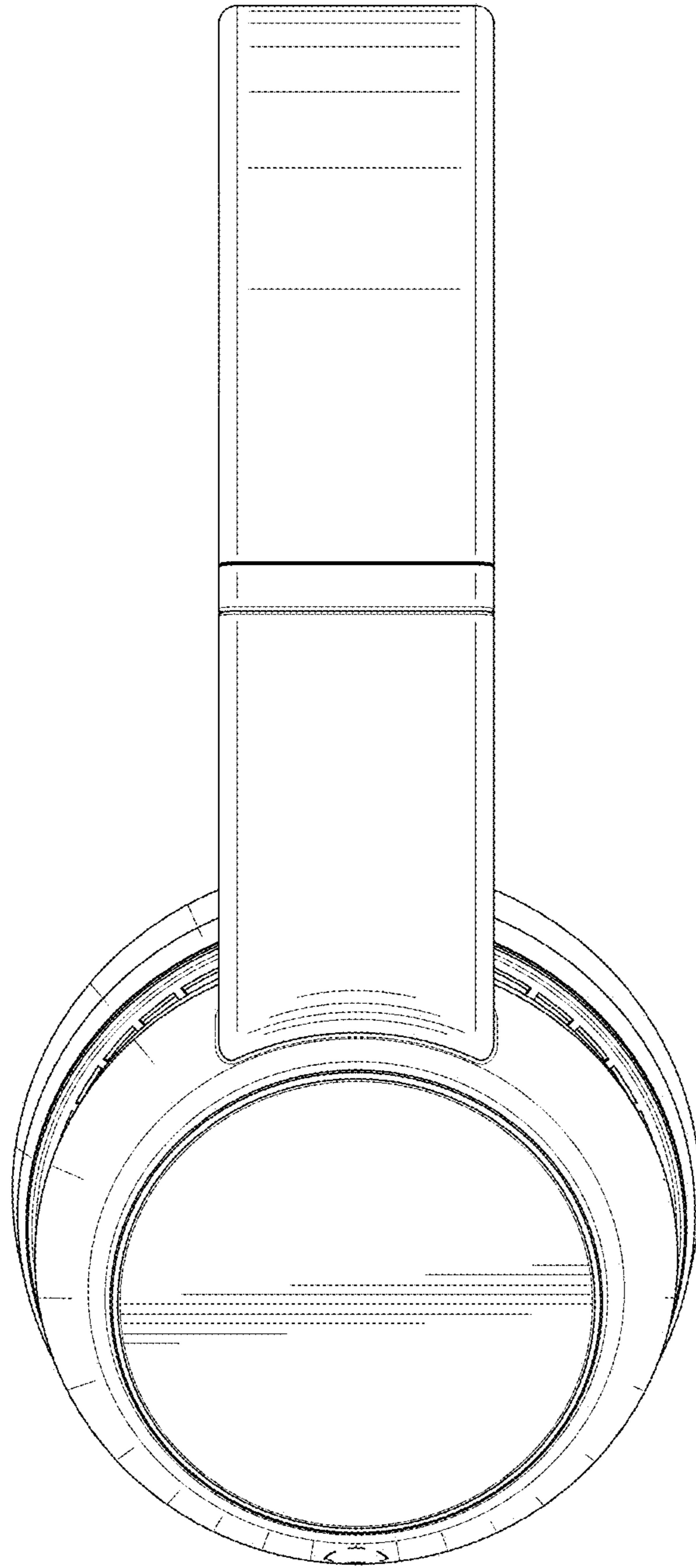


Fig.6

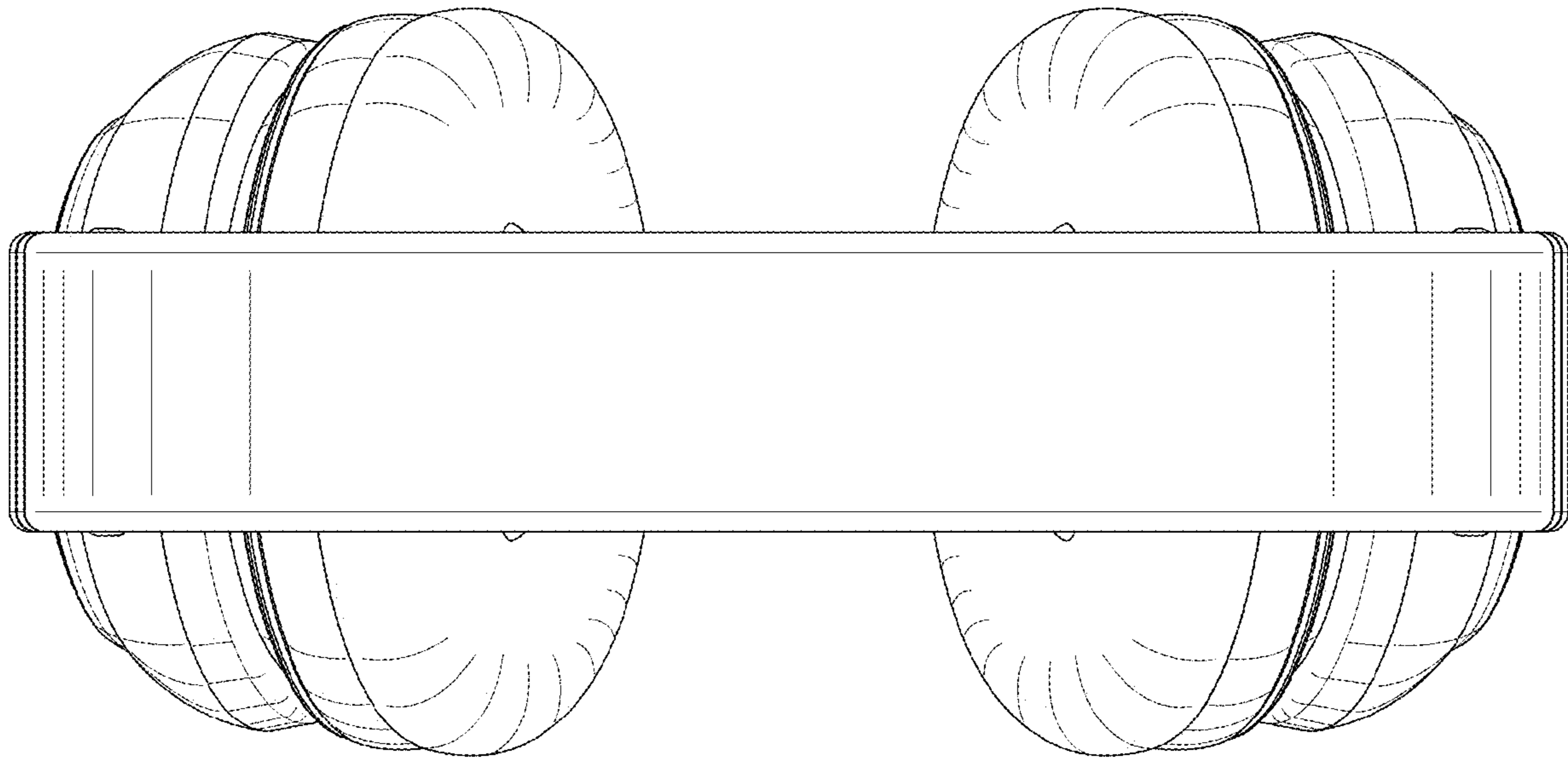


Fig.7

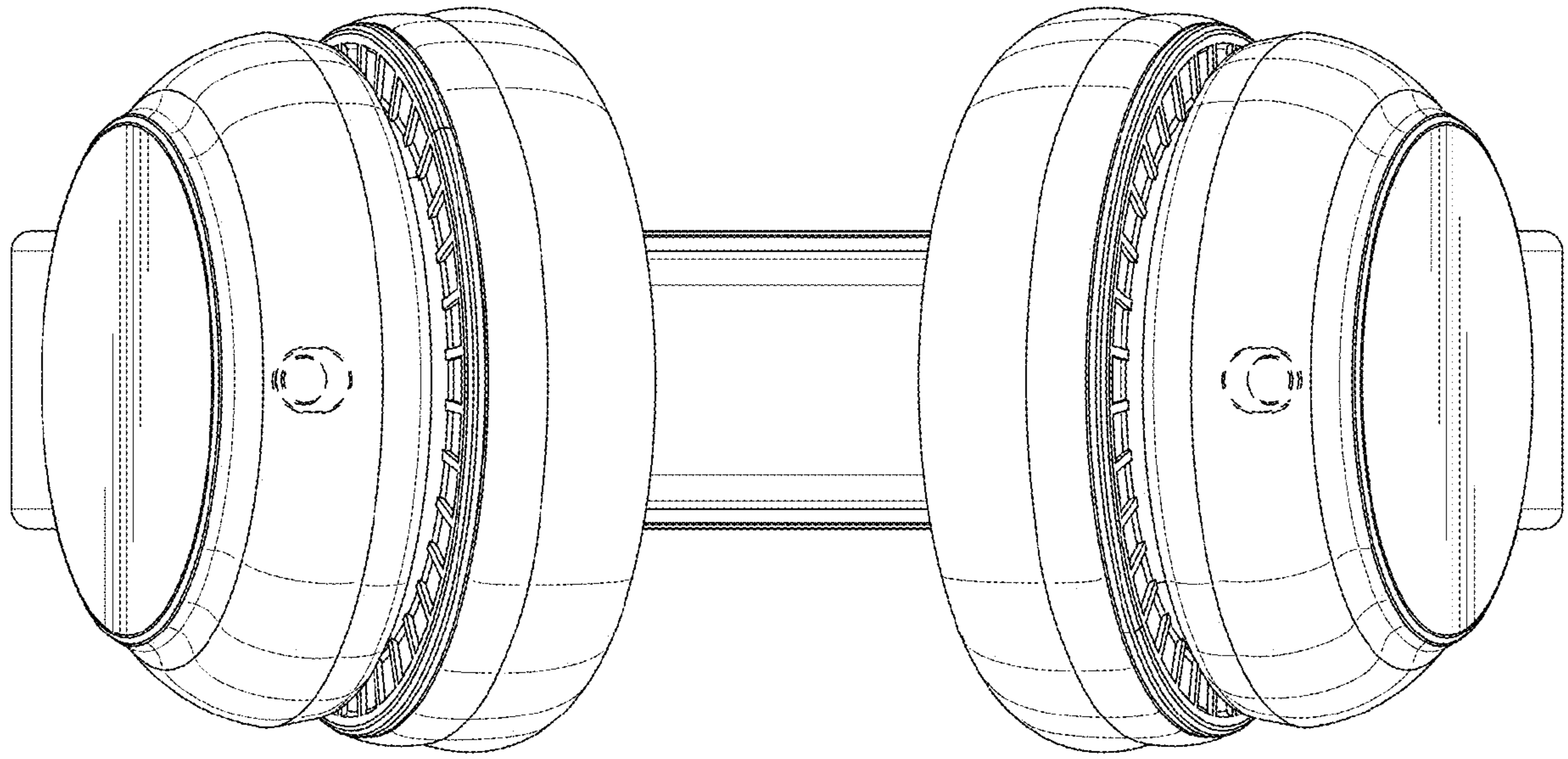


Fig.8