



US00D886077S

(12) **United States Design Patent**  
**Chen et al.**

(10) **Patent No.:** **US D886,077 S**  
(45) **Date of Patent:** **\*\* Jun. 2, 2020**

(54) **POWER SUPPLY OF A BONE CONDUCTION HEADSET**

(71) Applicant: **SHENZHEN VOXTECH CO., LTD.**,  
Shenzhen, Guangdong (CN)  
(72) Inventors: **Hao Chen**, Guangdong (CN); **Fen You**,  
Guangdong (CN); **Yueqiang Wang**,  
Guangdong (CN)

(73) Assignee: **SHENZHEN VOXTECH CO., LTD.**,  
Shenzhen (CN)

(\*\*) Term: **15 Years**

(21) Appl. No.: **29/653,144**

(22) Filed: **Jun. 12, 2018**

**Related U.S. Application Data**

(62) Division of application No. 29/585,454, filed on Nov.  
23, 2016, now Pat. No. Des. 823,279.

(30) **Foreign Application Priority Data**

Apr. 21, 2016 (CN) ..... 2016 3 0137222

(51) **LOC (12) Cl.** ..... **14-01**

(52) **U.S. Cl.**  
USPC ..... **D14/205**

(58) **Field of Classification Search**  
USPC ..... D14/205, 217, 218, 358, 356, 357, 433,  
D14/240, 341, 434; D13/110, 168, 103,  
D13/108, 119; 181/129, 130, 135;  
379/430, 431; 381/380, 381, 370;  
455/90.3, 575.1, 569.1; 439/518, 638;  
429/176; 361/709; 320/112

CPC .... H04R 25/00; H04R 1/1016; H04R 1/1066;  
H04R 25/558; H04R 1/10; H04R 5/0335;  
H01M 2/08; H01M 2/02; H01M 10/44

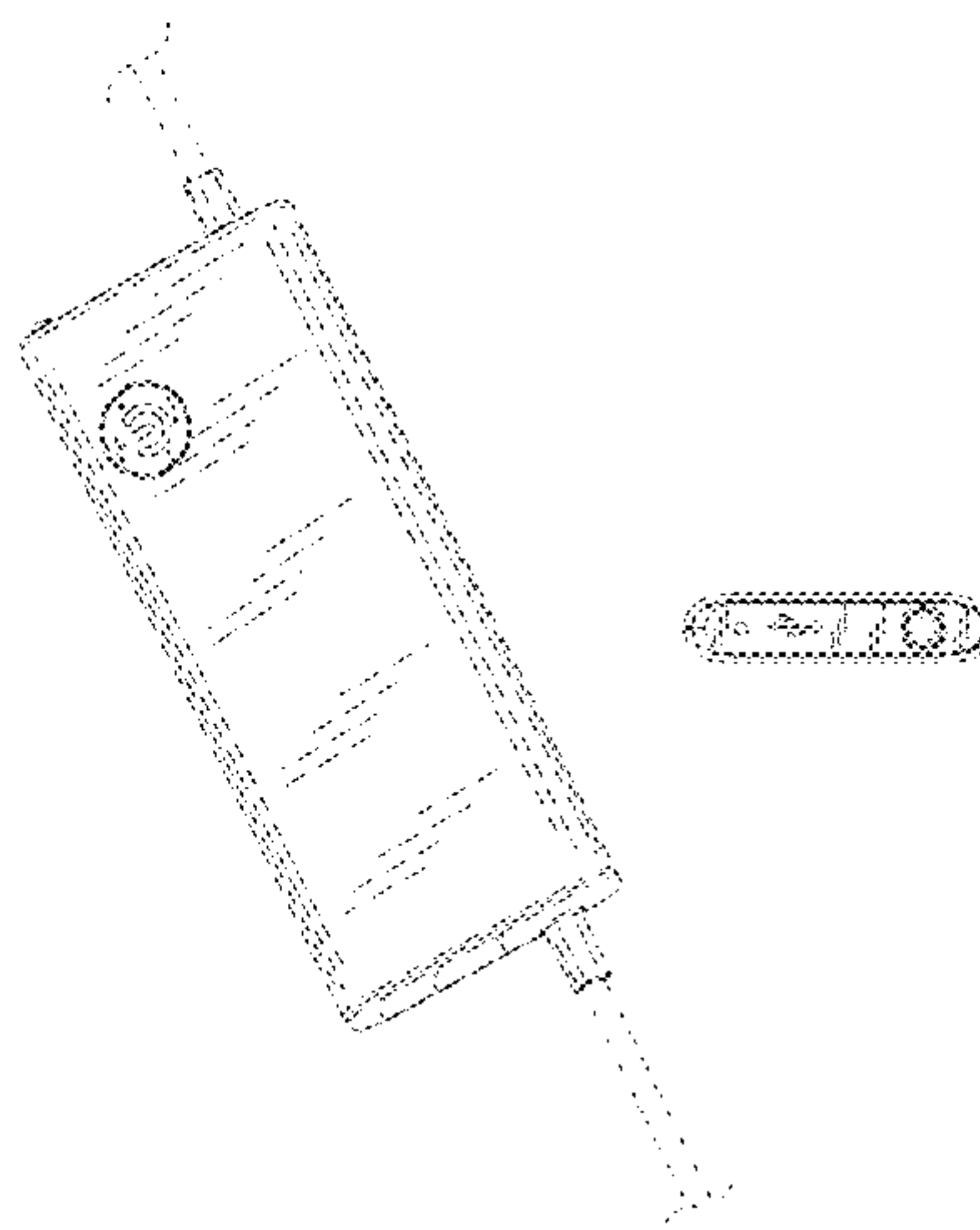
See application file for complete search history.

(56) **References Cited**

**U.S. PATENT DOCUMENTS**

2,754,365 A \* 7/1956 Walters ..... H04R 1/225  
181/132  
4,288,733 A \* 9/1981 Bilanceri ..... H02J 7/0045  
320/113

D271,301 S 11/1983 Manning et al.  
D296,440 S \* 6/1988 Smith ..... D14/432  
D305,717 S 1/1990 Soren et al.  
D315,561 S 3/1991 Miller  
D316,550 S 4/1991 Sogabe  
D316,551 S 4/1991 Ichikawa  
D318,669 S 7/1991 Nakayama  
D326,655 S \* 6/1992 Iribe ..... D14/192  
D331,408 S 12/1992 Ellermeier  
5,179,501 A \* 1/1993 Ocken ..... H05K 1/0278  
174/254  
D334,043 S \* 3/1993 Taniguchi ..... D14/218  
D337,587 S 7/1993 Nakayama  
D351,597 S 10/1994 Nakayama  
5,481,251 A \* 1/1996 Buys ..... H03J 1/0025  
340/12.22  
D368,716 S 4/1996 Shudo  
D371,133 S \* 6/1996 Andrea ..... D14/206  
D371,558 S 7/1996 Yoshizawa  
5,547,751 A 8/1996 Fujii et al.  
D375,483 S \* 11/1996 Tashiro ..... D13/110  
D389,455 S \* 1/1998 Lindahl ..... D13/103  
5,926,944 A \* 7/1999 Smith ..... H05K 7/20509  
29/602.1  
D421,014 S 2/2000 Smith  
6,030,247 A \* 2/2000 Sasahara ..... H01R 13/20  
439/332  
D426,880 S 6/2000 Leight  
6,233,345 B1 5/2001 Urwyler  
D446,499 S \* 8/2001 Andre ..... D13/110  
D460,752 S 7/2002 Gerdom  
6,438,248 B1 \* 8/2002 Kamimura ..... H04M 1/05  
381/374  
D465,479 S 11/2002 Tourres  
D471,176 S 3/2003 Suzuki et al.  
D473,217 S 4/2003 Rivera  
D475,996 S \* 6/2003 Skulley ..... D14/223  
6,602,637 B1 \* 8/2003 Kurasawa ..... H01M 2/0257  
429/163  
6,603,863 B1 8/2003 Nagayoshi  
D479,225 S \* 9/2003 De Saulles ..... D14/218  
D486,478 S \* 2/2004 Swan ..... D14/223  
6,692,882 B2 \* 2/2004 Oshiba ..... G03G 9/0819  
399/350  
D488,146 S 4/2004 Minto  
D502,463 S 3/2005 Bhakta  
D511,157 S \* 11/2005 Johnson ..... D14/223  
D515,545 S \* 2/2006 Griffin ..... D14/155  
D517,586 S 3/2006 Eroma  
7,013,164 B2 \* 3/2006 Lin ..... H04B 1/207  
455/42  
D524,297 S 7/2006 Lee  
D539,814 S \* 4/2007 Andre ..... D14/203.3



# US D886,077 S

Page 2

D548,686 S *	8/2007	Eto .....	D13/103	D756,958 S	5/2016	Lee et al.	
D550,202 S	9/2007	Meier et al.		D756,959 S	5/2016	Lee et al.	
D557,685 S	12/2007	Lee		D763,188 S *	8/2016	Park .....	D13/108
D558,735 S *	1/2008	Carr .....	D14/206	D766,869 S	9/2016	Lee et al.	
D568,312 S *	5/2008	Wang .....	D14/356	D769,218 S	10/2016	Mittal	
D569,813 S	5/2008	Charleux et al.		D771,587 S	11/2016	Iwane et al.	
D569,841 S *	5/2008	Chung .....	D14/205	D773,390 S *	12/2016	Dittel .....	D13/103
D575,268 S	8/2008	Christopher et al.		D783,571 S *	4/2017	Mizrahi .....	D14/205
D576,100 S *	9/2008	Wang .....	D13/110	D790,502 S	6/2017	Qi et al.	
D579,442 S	10/2008	Kim et al.		D790,503 S	6/2017	Lok	
D582,419 S *	12/2008	Sheba .....	D14/480.5	D791,070 S *	7/2017	Son .....	D13/103
D585,077 S *	1/2009	Sheba .....	D14/434	D791,100 S	7/2017	Chen et al.	
D586,740 S *	2/2009	Song .....	D13/103	D795,184 S *	8/2017	Jung .....	D13/103
D586,741 S *	2/2009	Song .....	D13/103	D798,841 S *	10/2017	Park .....	D14/218
D592,640 S	5/2009	Tkachuk		D801,301 S	10/2017	Damboulev et al.	
D592,677 S *	5/2009	Sheba .....	D14/434	D801,311 S *	10/2017	Akana .....	D14/218
D593,940 S *	6/2009	Nomi .....	D13/103	D806,673 S *	1/2018	Mizrahi .....	D14/205
D604,269 S	11/2009	Choe		D812,000 S *	3/2018	Li .....	D13/108
D606,980 S	12/2009	Bradford		D816,065 S *	4/2018	McManigal .....	D14/218
D609,221 S *	2/2010	Kim .....	D14/218	D818,457 S *	5/2018	Paschke .....	D14/218
D612,329 S *	3/2010	Guccione .....	D13/108	D821,983 S *	7/2018	Shah .....	D13/168
D613,274 S *	4/2010	Lee .....	D14/206	D822,655 S *	7/2018	Akana .....	D14/341
D614,166 S *	4/2010	Brickstad .....	D14/205	D823,242 S *	7/2018	Jun .....	D13/103
D614,604 S *	4/2010	Hoehn .....	D14/218	D823,279 S *	7/2018	Chen .....	D14/205
D615,929 S *	5/2010	Maurer .....	D13/110	D826,854 S *	8/2018	Roberts .....	D13/108
D617,308 S	6/2010	Nousiainen et al.		D828,839 S *	9/2018	Zhang .....	D14/433
D619,558 S *	7/2010	Seil .....	D14/155	D846,507 S *	4/2019	Altonen .....	D13/168
D623,627 S	9/2010	Alden et al.		D852,741 S *	7/2019	Trachtenberg .....	D13/110
D624,058 S *	9/2010	Kolton .....	D14/205	D853,322 S *	7/2019	Xu .....	D13/108
D624,902 S *	10/2010	Kolton .....	D14/205	D860,129 S *	9/2019	Price .....	D13/103
D645,833 S *	9/2011	Seflic .....	D14/138 G	D860,932 S *	9/2019	Rybaltchenko .....	D13/103
D646,222 S *	10/2011	Tatehata .....	D13/103	2003/0129487 A1 *	7/2003	Inoue .....	H01M 2/0262 429/176
D648,270 S *	11/2011	Jiang .....	D13/103	2005/0118501 A1 *	6/2005	Hashimoto .....	H01M 2/0232 429/180
D651,589 S *	1/2012	Fischer .....	D14/218	2006/0246349 A1 *	11/2006	Uh .....	H01M 2/0207 429/175
D653,234 S	1/2012	Lee et al.		2007/0098202 A1 *	5/2007	Viranyi .....	H04R 1/1041 381/380
D662,697 S *	7/2012	Portzline .....	D2/946	2010/0135515 A1	6/2010	Walsh	
D665,734 S *	8/2012	Fitch .....	D13/107	2012/0139511 A1 *	6/2012	Chou .....	H01R 29/00 323/267
D665,766 S *	8/2012	Eguchi .....	D14/138 G	2013/0329903 A1	12/2013	Ting	
D669,881 S	10/2012	Clements et al.		2014/0042969 A1 *	2/2014	Miller .....	H02J 7/0027 320/111
D677,623 S *	3/2013	Fitch .....	D13/108	2014/0185837 A1	7/2014	Kunimoto et al.	
D678,191 S *	3/2013	Fitch .....	D13/108	2018/0199128 A1 *	7/2018	Chiu .....	H04R 1/1041
D678,858 S	3/2013	Feng et al.					
D681,001 S *	4/2013	Murchison .....	D14/205				
8,411,893 B2	4/2013	Ito et al.					
8,433,082 B2	4/2013	Abolfathi					
8,472,659 B2	6/2013	Liow et al.					
D685,750 S *	7/2013	Nakagawa .....	D13/168				
D688,648 S	8/2013	Li et al.					
D695,264 S	12/2013	Chee					
D697,049 S *	1/2014	Krauss .....	D14/205				
D699,224 S *	2/2014	Diamond .....	D14/218				
D705,726 S *	5/2014	Lee .....	D13/110				
D706,745 S	6/2014	Nakagawa					
D707,199 S	6/2014	Cepress et al.					
8,748,024 B2 *	6/2014	Wyser .....	H01M 2/02 429/100				
D710,325 S	8/2014	Behar et al.					
D710,828 S	8/2014	Liu et al.					
D712,872 S *	9/2014	Yuen .....	D14/205				
8,861,770 B2	10/2014	Blair et al.					
D716,758 S *	11/2014	Burgett .....	D14/205				
D716,759 S	11/2014	Ha et al.					
D717,243 S *	11/2014	Liu .....	D13/103				
D717,274 S *	11/2014	Burgett .....	D14/205				
D717,275 S *	11/2014	Burgett .....	D14/205				
D717,728 S *	11/2014	Krauss .....	D13/103				
D717,765 S	11/2014	Rausch et al.					
D718,273 S *	11/2014	Harata .....	D14/205				
D719,935 S *	12/2014	Diamond .....	D14/218				
D721,673 S	1/2015	Park et al.					
D722,999 S	2/2015	Ishikura					
D728,528 S	5/2015	Akana et al.					
D729,727 S *	5/2015	Lin .....	D13/103				
D737,758 S *	9/2015	Takeshita .....	D13/103				
D740,785 S	10/2015	Chen et al.					
D743,381 S *	11/2015	Pi .....	D14/218				
D748,609 S *	2/2016	Miller .....	D14/225				

## FOREIGN PATENT DOCUMENTS

CN 304220186 \* 7/2017

\* cited by examiner

*Primary Examiner* — Paula Allen Greene  
(74) *Attorney, Agent, or Firm* — Metis IP LLC

### (57) CLAIM

The ornamental design for power supply of a bone conduction headset, as shown and described.

### DESCRIPTION

FIG. 1 is a perspective view of a power supply of a bone conduction headset showing our new design;  
FIG. 2 is a front view thereof;  
FIG. 3 is a rear view thereof;  
FIG. 4 is a left view thereof;  
FIG. 5 is a right view thereof;  
FIG. 6 is a top view thereof; and,  
FIG. 7 is a bottom view thereof.

**1 Claim, 6 Drawing Sheets**



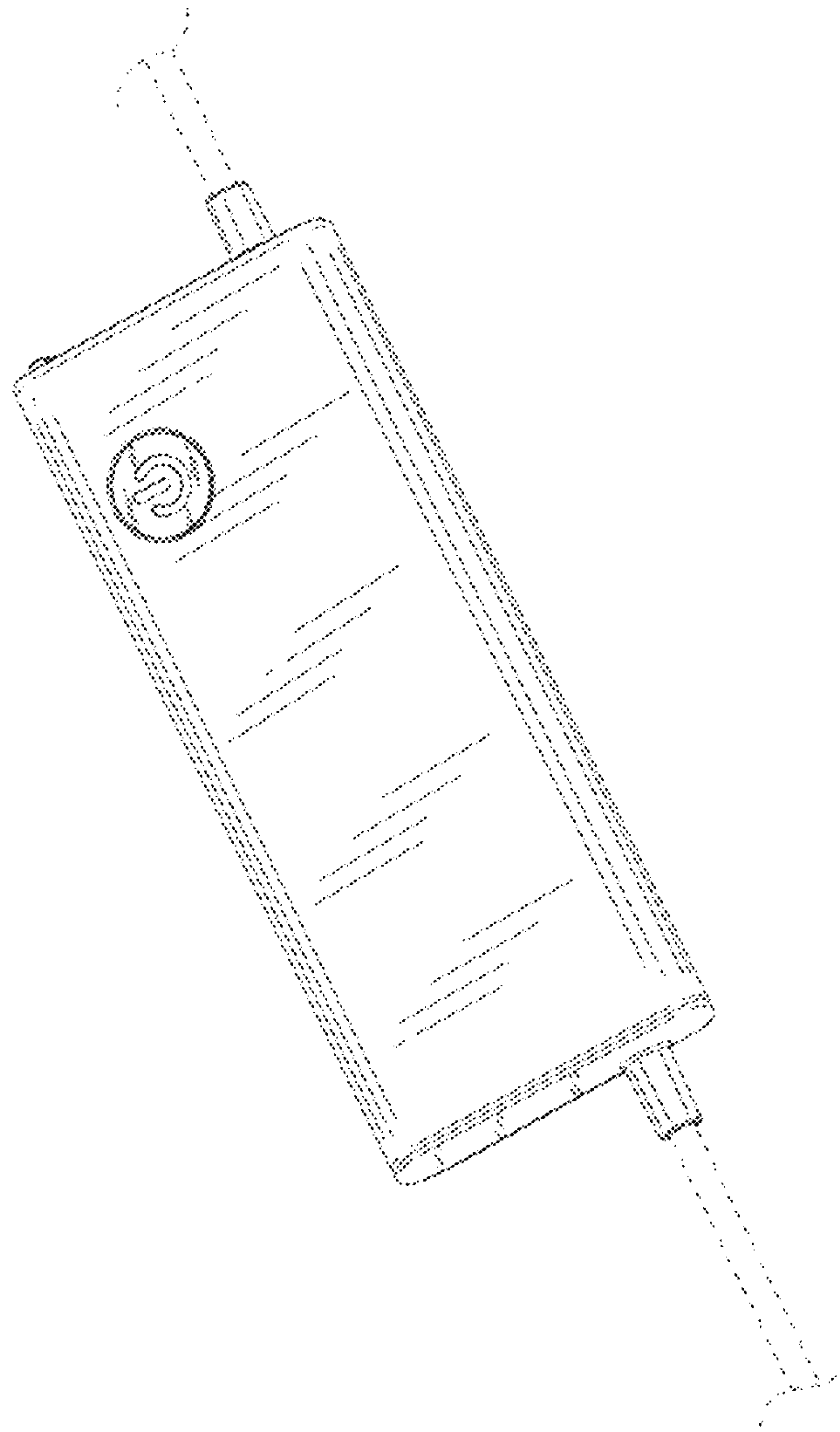


FIG. 1

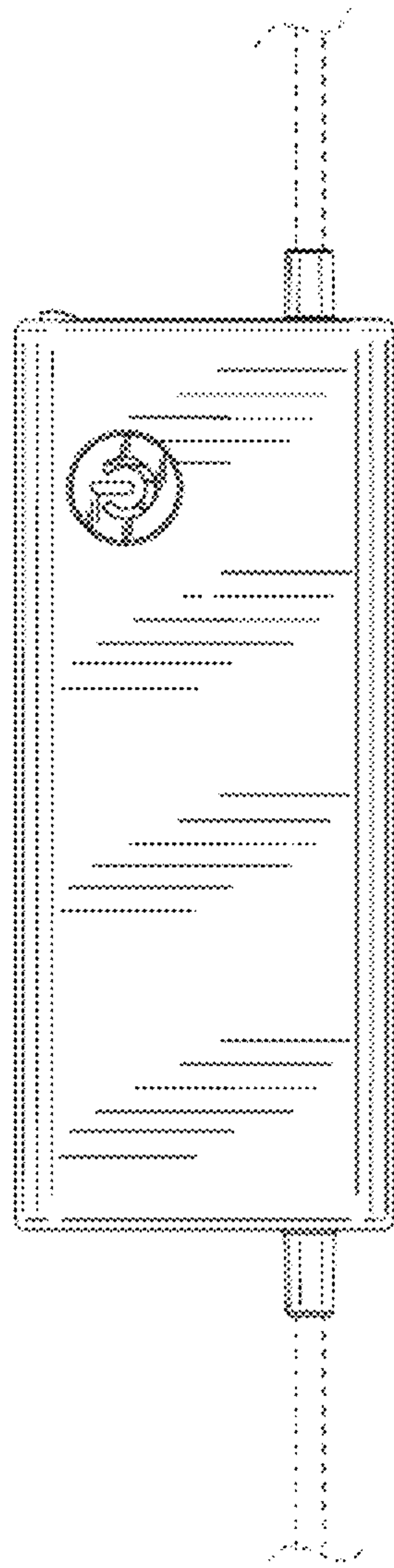
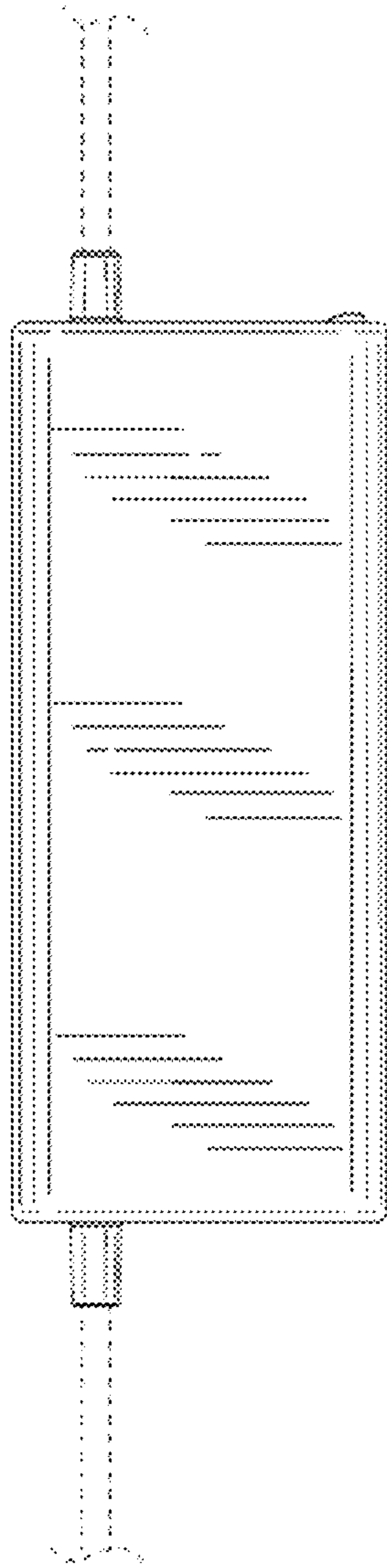
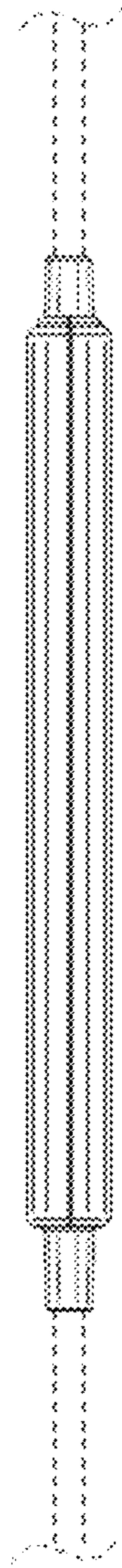


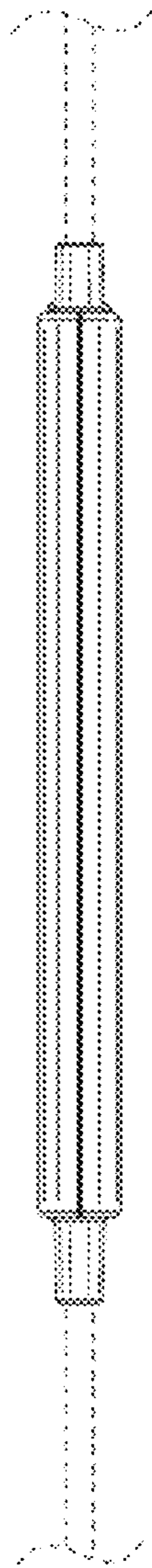
FIG. 2



**FIG. 3**



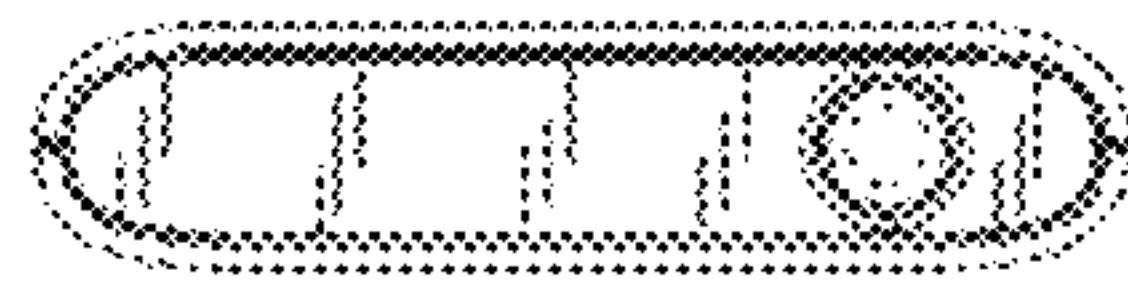
**FIG. 4**



*FIG. 5*



*FIG. 6*



*FIG. 7*