



US00D886076S

(12) **United States Design Patent**
Zhao

(10) **Patent No.:** **US D886,076 S**
(45) **Date of Patent:** **** Jun. 2, 2020**

(54) **AUDIO EQUIPMENT**

(71) Applicant: **Yuquan Zhao**, Heilongjiang (CN)

(72) Inventor: **Yuquan Zhao**, Heilongjiang (CN)

(**) Term: **15 Years**

(21) Appl. No.: **29/633,876**

(22) Filed: **Jan. 17, 2018**

(51) **LOC (12) Cl.** **14-01**

(52) **U.S. Cl.**
USPC **D14/204**

(58) **Field of Classification Search**
USPC D14/167, 188, 204, 209.1, 210–215, 348,
D14/352, 498–505; 181/143, 144, 148,
181/153, 157, 198, 199; 369/6–12;
381/300–303, 361–364, 366, 386–388
CPC H04R 1/02; H04R 1/021; H04R 1/023;
H04R 5/00; H04R 9/06; H04R 2420/07
See application file for complete search history.

(56) **References Cited**

U.S. PATENT DOCUMENTS

D478,891 S * 8/2003 Hisatsune D14/211
D540,310 S * 4/2007 Yuyama D14/214

D573,133 S * 7/2008 Milks D14/214
D659,677 S * 5/2012 Kim D14/214
D692,858 S * 11/2013 Millora D14/214
D703,194 S * 4/2014 Jacobs D14/225
D709,481 S * 7/2014 Liu D14/221
D715,763 S * 10/2014 Ryu D14/204

* cited by examiner

Primary Examiner — Janice Patyk

(74) *Attorney, Agent, or Firm* — Justin Lampel

(57) **CLAIM**

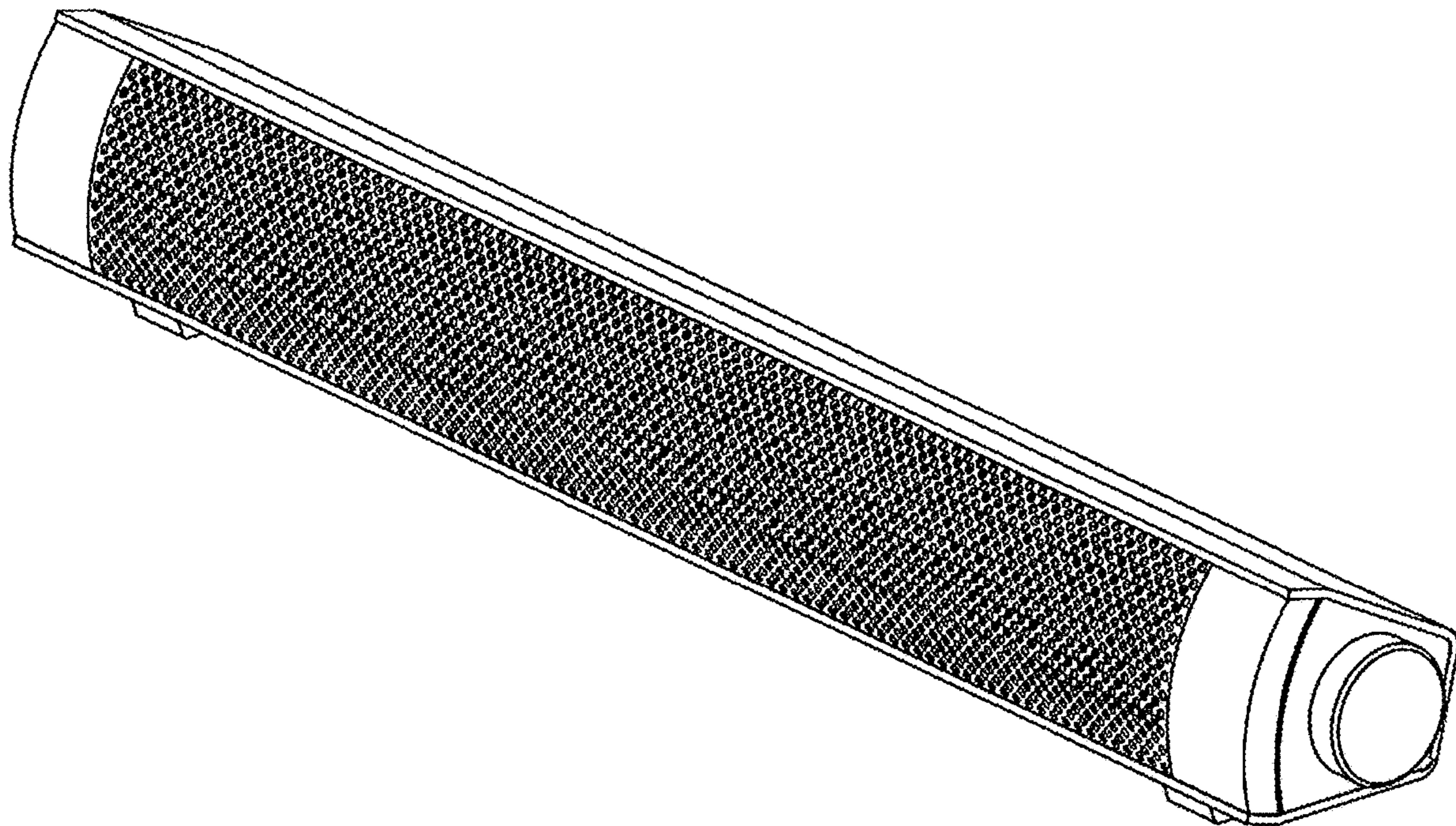
The ornamental design for an audio equipment, as shown and described.

DESCRIPTION

FIG. 1 is a perspective view of an audio equipment, showing my new design;
FIG. 2 is a front side view thereof;
FIG. 3 is a rear side view thereof;
FIG. 4 is a right side view thereof, shown in enlarged scale;
FIG. 5 is a left side view thereof, shown in enlarged scale;
FIG. 6 is a bottom plan view thereof; and,
FIG. 7 is a top plan view thereof.

The broken lines in the figures illustrate the portions of the design that form no part of the claimed design.

1 Claim, 6 Drawing Sheets



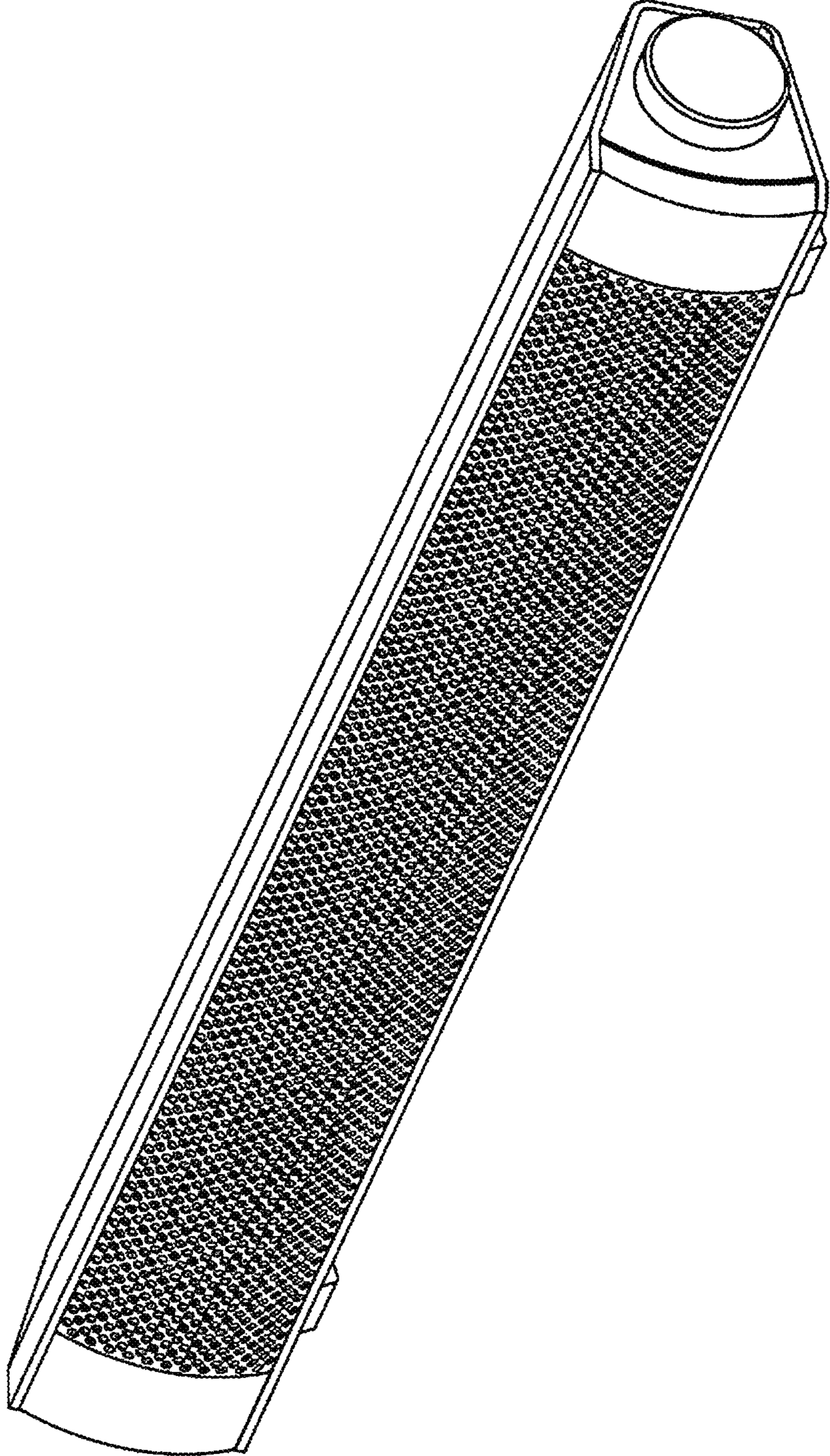


FIG.1

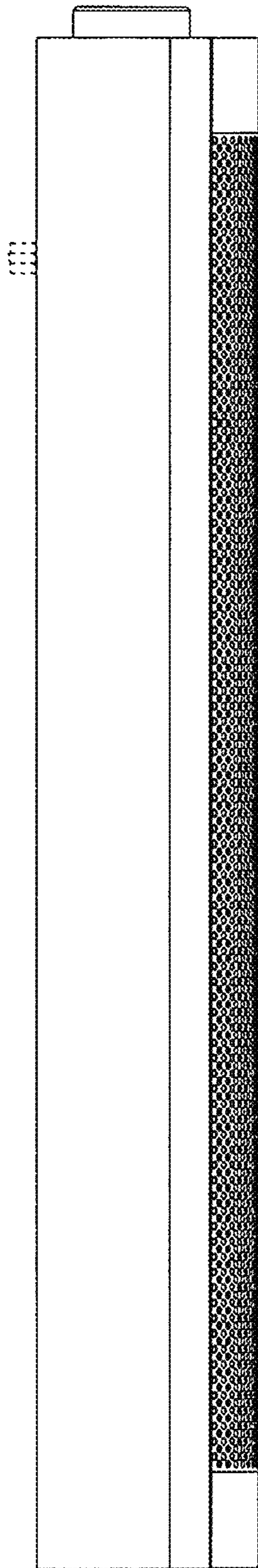


FIG.2

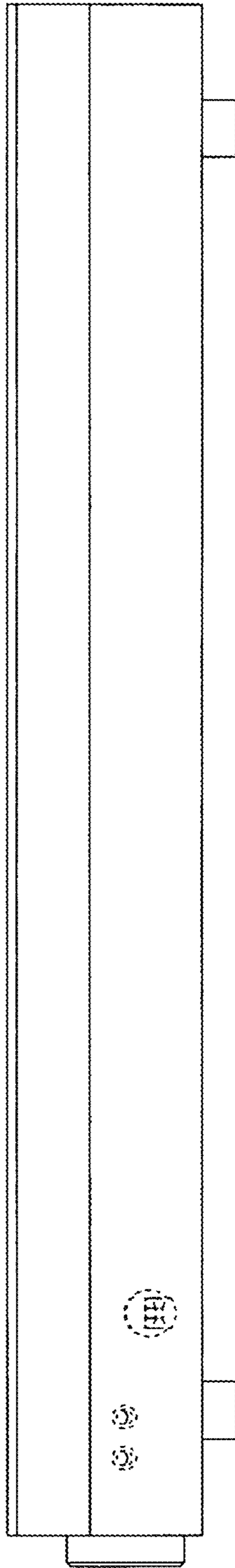


FIG.3

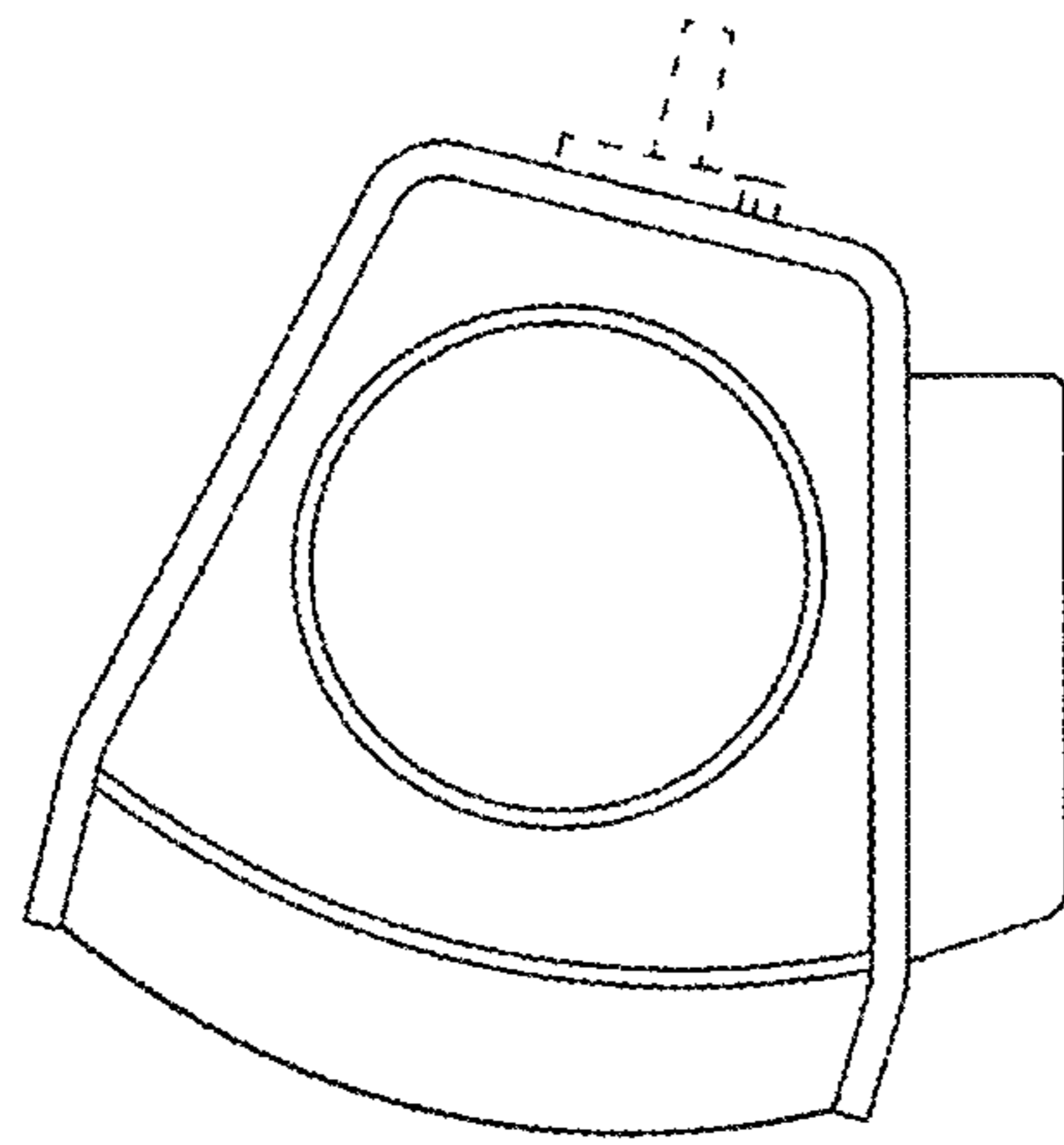


FIG.4

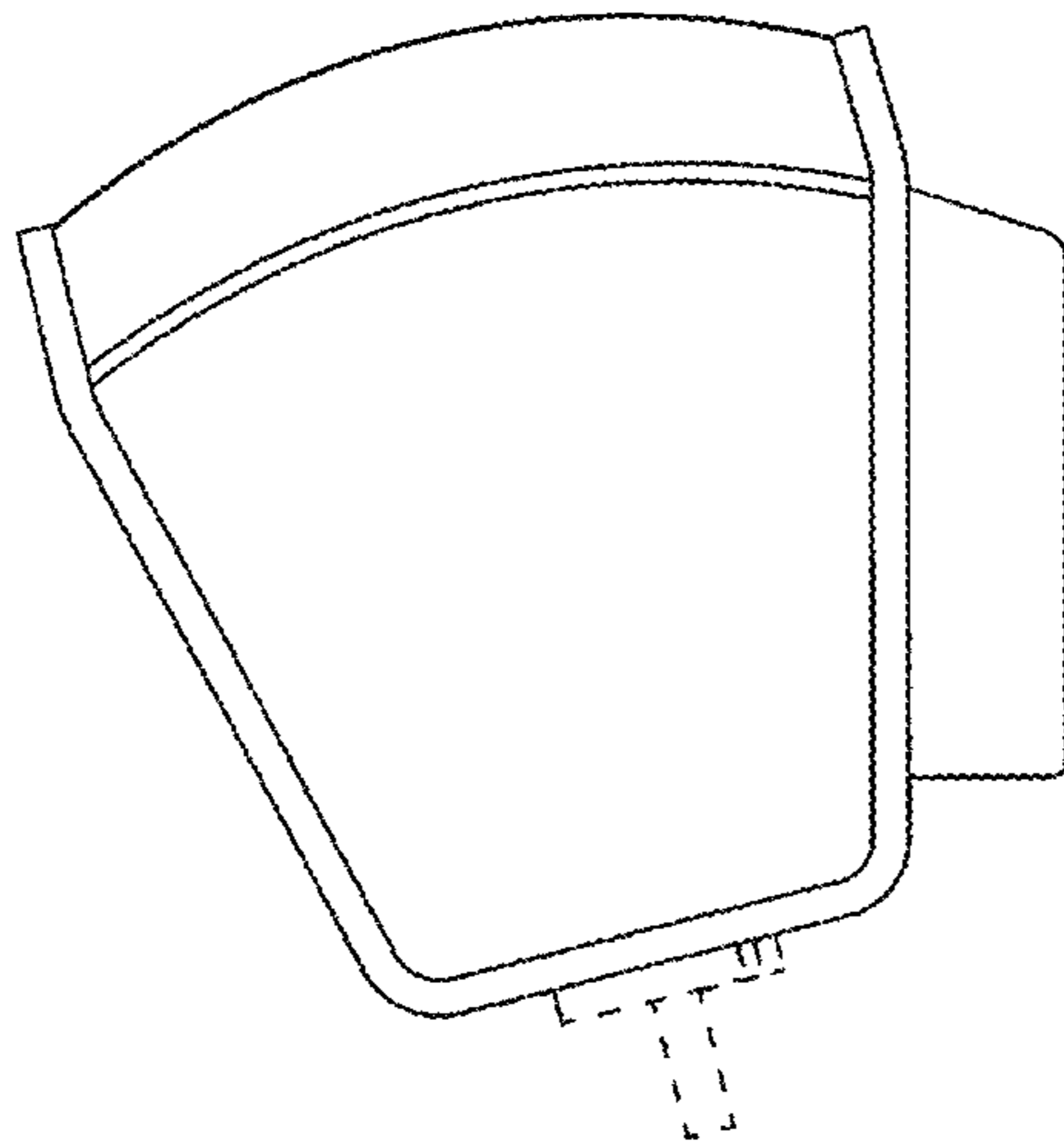


FIG.5

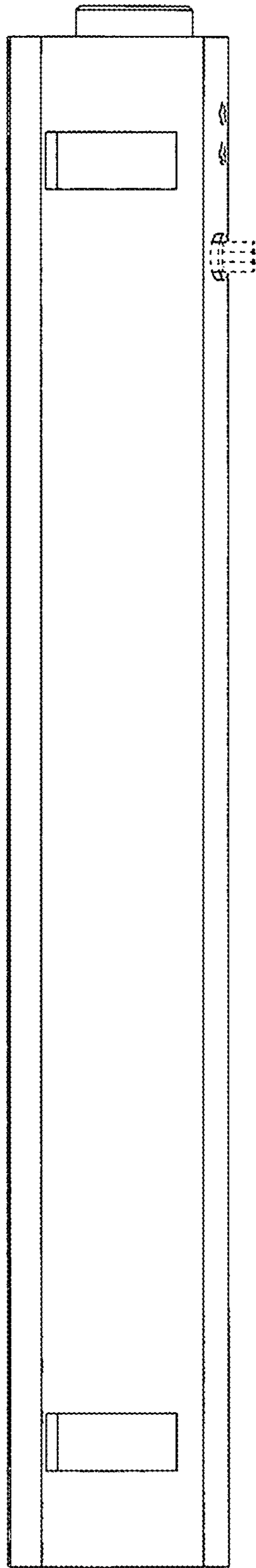


FIG.6

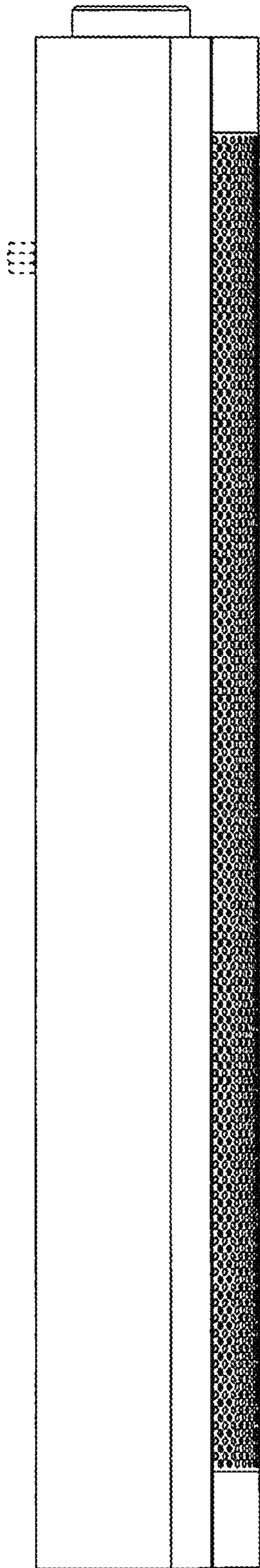


FIG.7