



US00D886072S

(12) **United States Design Patent**  
**MacDonald et al.**

(10) **Patent No.:** **US D886,072 S**  
(45) **Date of Patent:** **\*\* Jun. 2, 2020**

- (54) **CIRCUIT CUBE**
- (71) Applicant: **Tenka Inc.**, Willits, CA (US)
- (72) Inventors: **Nathaniel W. MacDonald**, Mill Valley, CA (US); **John F Schuster**, San Francisco, CA (US)
- (73) Assignee: **Tenka Inc.**, Willits, CA (US)
- (\*\*) Term: **15 Years**
- (21) Appl. No.: **29/702,958**
- (22) Filed: **Aug. 22, 2019**

**Related U.S. Application Data**

(62) Division of application No. 29/609,479, filed on Jun. 30, 2017, now Pat. No. Des. 864,131.

(51) **LOC (12) Cl.** ..... **13-03**

(52) **U.S. Cl.**  
USPC ..... **D13/182**

(58) **Field of Classification Search**  
USPC ..... D13/182; 174/68.1, 250, 253, 255, 256; 318/567, 568.1; 361/600, 601, 718, 719, 361/720, 728, 736, 748, 751, 760, 761, 361/807; 439/55, 65, 68, 76.1, 93, 95  
CPC ..... H05K 3/00; H05K 3/30; H05K 3/301; H05K 3/303; H05K 3/34; H05K 3/3405; H05K 3/341; H05K 3/36; H05K 3/361; H05K 3/363; H05K 3/40; H05K 7/14; H05K 7/1422; H05K 7/00; H05K 1/18; H05K 1/02; H05K 1/181; H05K 1/182; H05K 1/183; H05K 1/184; H05K 1/189; H05K 1/00

See application file for complete search history.

(56) **References Cited**

**U.S. PATENT DOCUMENTS**

- 2,896,033 A 7/1959 Hartz
- 3,072,734 A 1/1963 Fox et al.

- 3,225,460 A \* 12/1965 Randell ..... A63F 9/24 434/236
- 3,346,775 A \* 10/1967 Christiansen ..... H05K 1/0286 361/738
- 3,553,883 A \* 1/1971 Fischer ..... A63H 33/042 446/91
- 3,696,548 A 10/1972 Teller
- D292,698 S 11/1987 Devita et al.
- D359,476 S 6/1995 Sakashita et al.
- D396,449 S 7/1998 Taylor
- D397,093 S 8/1998 Kim
- 5,908,328 A 6/1999 Chen
- D428,860 S 8/2000 Siperek
- D429,704 S 8/2000 Kang et al.
- D430,856 S 9/2000 Wilkerson
- D442,567 S 5/2001 Kang
- D465,772 S 11/2002 Poulter et al.
- D466,093 S 11/2002 Ebihara et al.
- D471,167 S 3/2003 Ebihara et al.

(Continued)

*Primary Examiner* — Elizabeth J Oswecki

(74) *Attorney, Agent, or Firm* — TraskBritt

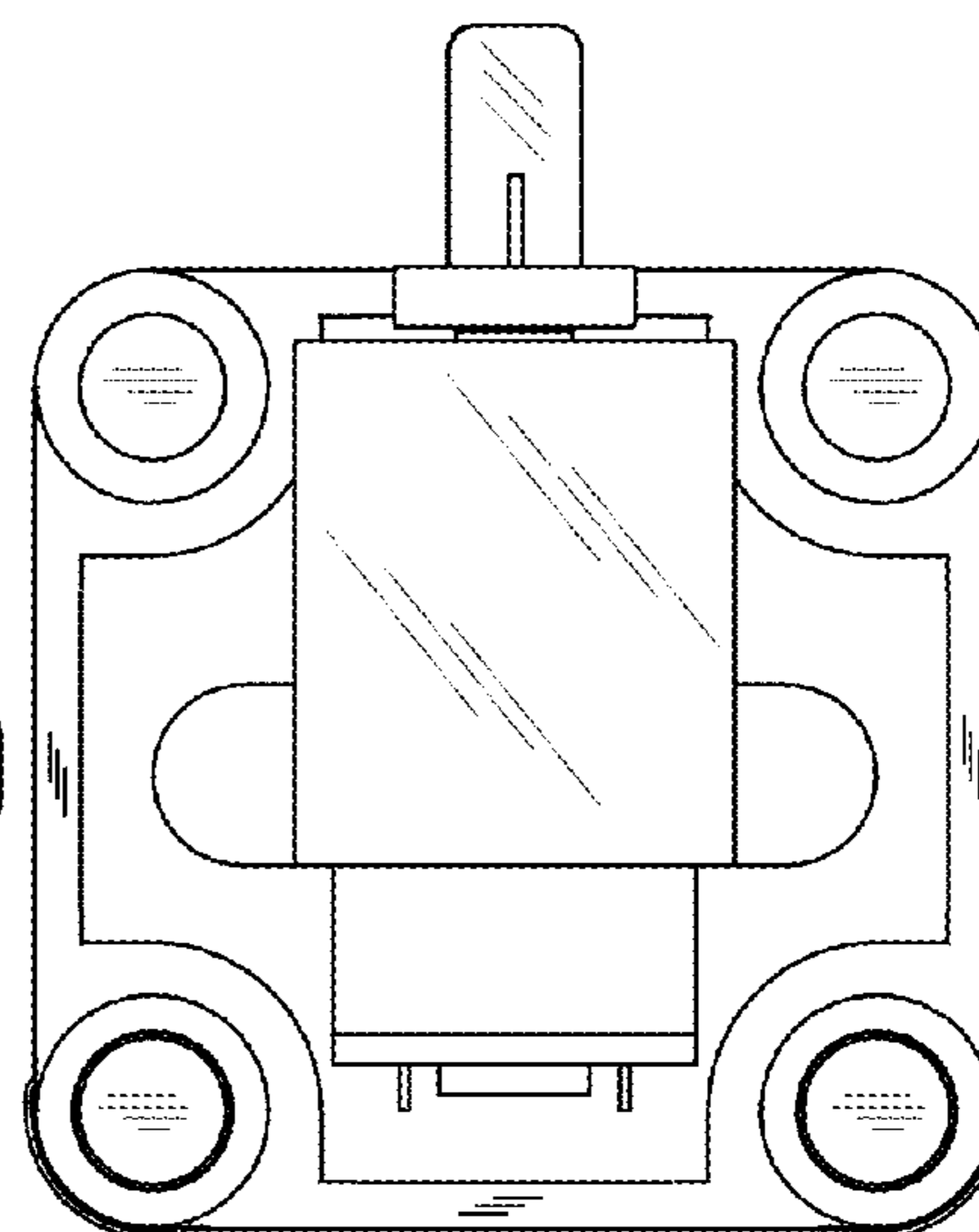
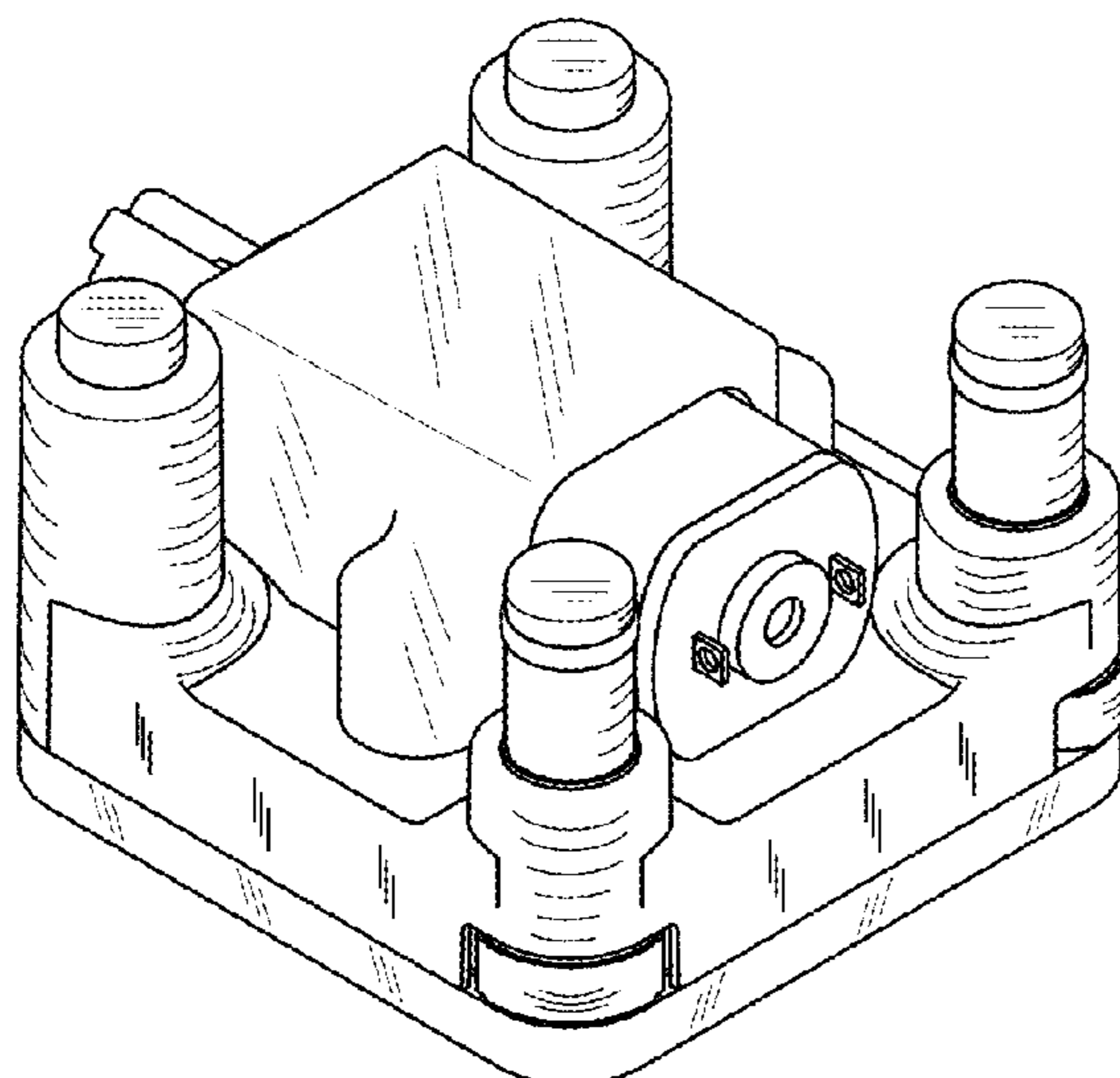
(57) **CLAIM**

The ornamental design for a circuit cube, as shown and described.

**DESCRIPTION**

FIG. 1 is a top perspective view of a circuit cube, showing our new design;  
 FIG. 2 is a top view thereof;  
 FIG. 3 is a bottom view thereof;  
 FIG. 4 is a front view thereof;  
 FIG. 5 is a rear view thereof;  
 FIG. 6 is a left view thereof; and,  
 FIG. 7 is a right view thereof.  
 The broken lines shown in the drawings represent portions of the circuit cube that form no part of the claimed design.

**1 Claim, 3 Drawing Sheets**



(56)

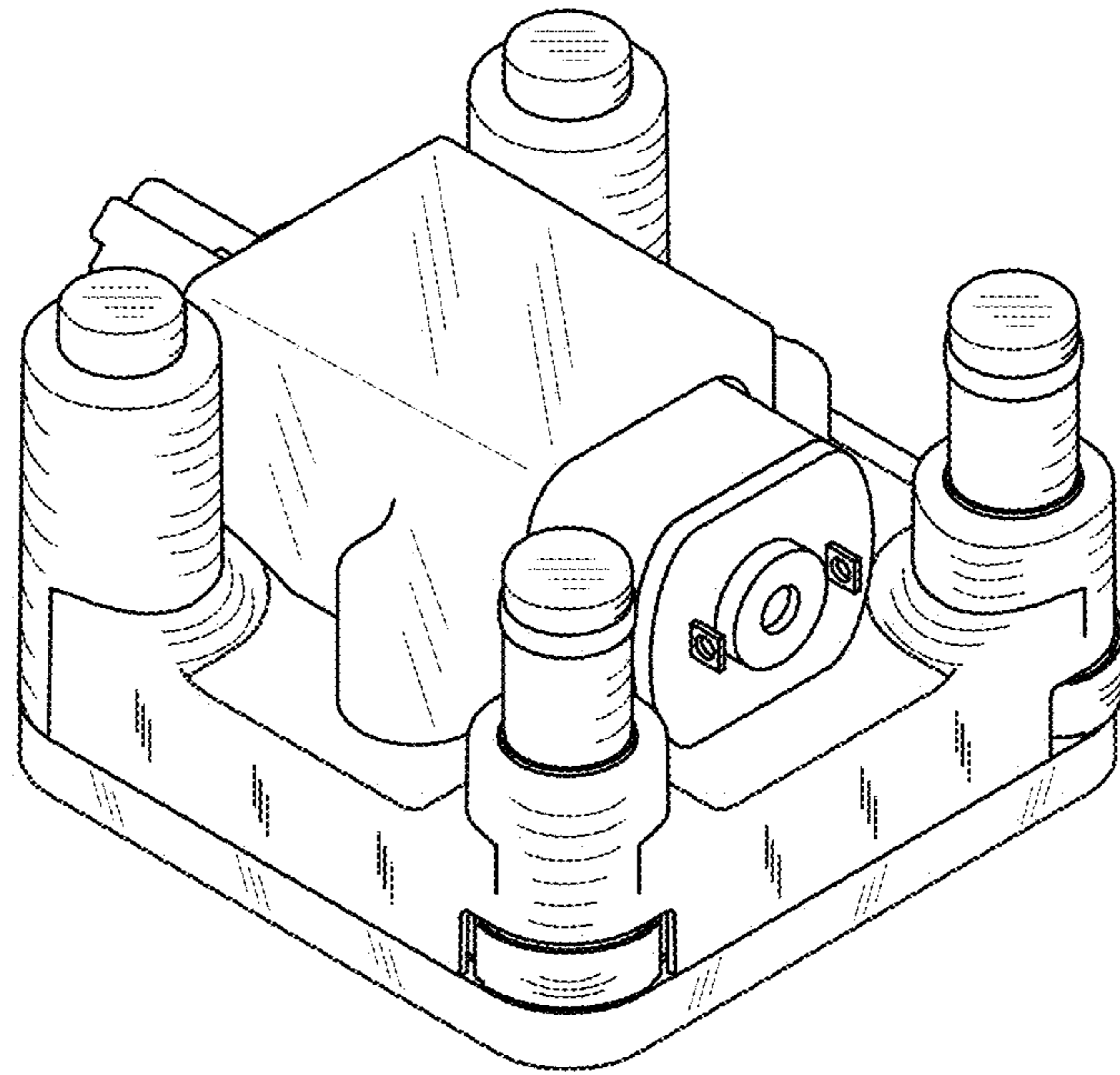
References Cited

U.S. PATENT DOCUMENTS

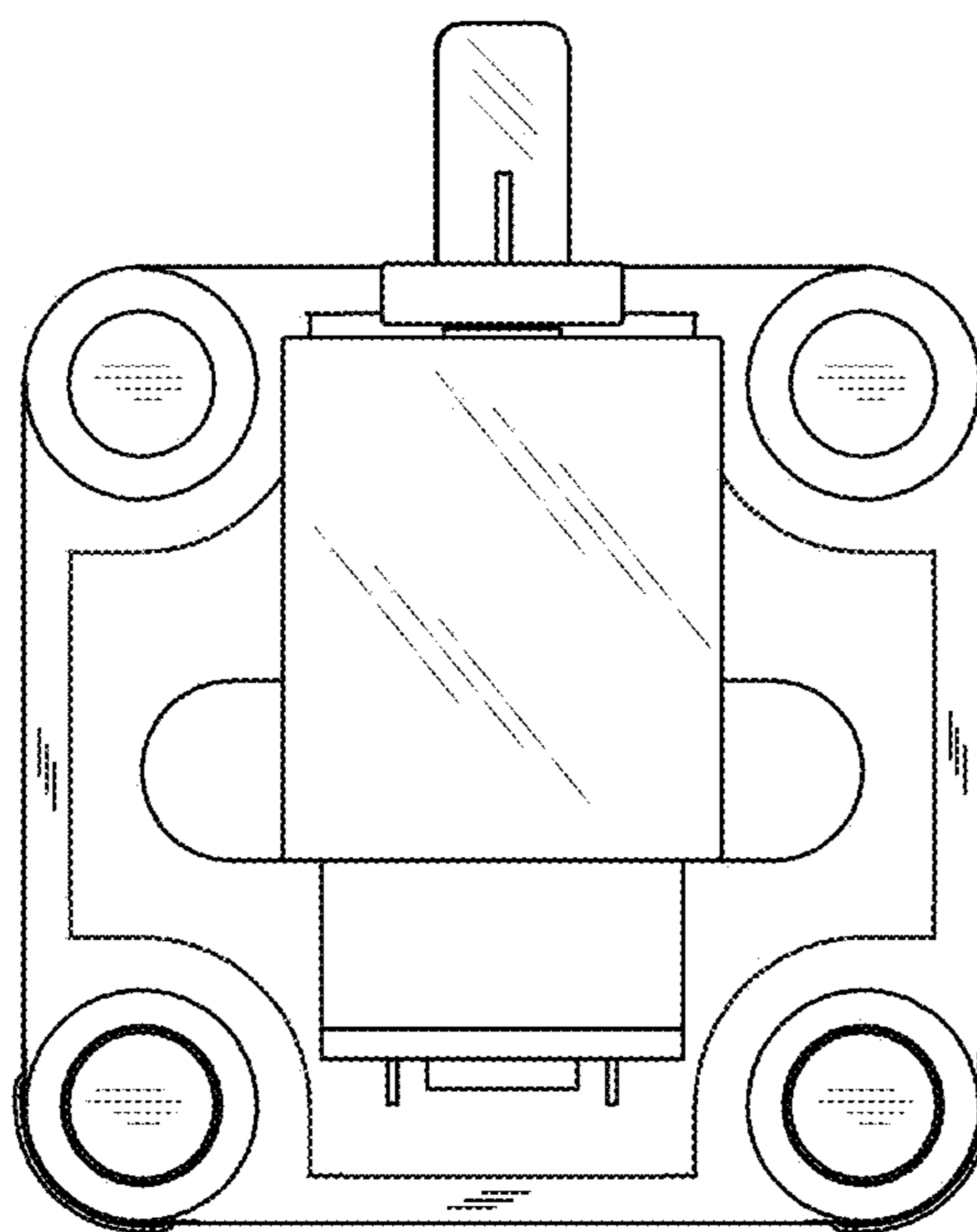
6,814,626 B2 \* 11/2004 Wen-Yao ..... H01R 13/7036  
439/515  
D552,048 S 10/2007 He  
D556,158 S 11/2007 Kong  
7,611,357 B2 11/2009 Han et al.  
D605,613 S 12/2009 Carter et al.  
D639,756 S 6/2011 Greene, Jr.  
D642,546 S 8/2011 Greene, Jr.  
D647,072 S 10/2011 Bentley  
D676,004 S 2/2013 Lyubachev  
D691,101 S 10/2013 Ishizawa et al.  
8,651,913 B1 2/2014 Lin  
8,690,631 B2 4/2014 Nag  
8,764,507 B2 \* 7/2014 Lin ..... A63H 33/08  
446/91  
D725,054 S \* 3/2015 Mertler ..... D13/182  
9,017,132 B2 4/2015 Lin  
D730,849 S \* 6/2015 Aromin ..... D13/182  
9,128,661 B2 \* 9/2015 Zilber ..... A63F 13/80  
9,209,560 B2 12/2015 Wei  
D753,073 S 4/2016 Sponring  
9,457,287 B1 10/2016 Lin et al.  
D794,586 S 8/2017 Takahashi et al.  
9,755,356 B1 9/2017 Kim et al.

D799,438 S 10/2017 Takahashi et al.  
D804,437 S 12/2017 Kantor et al.  
D806,181 S \* 12/2017 Johannsen ..... D21/500  
9,914,065 B2 3/2018 Almog et al.  
D824,344 S 7/2018 Podubni  
D824,345 S 7/2018 Podubni  
D826,186 S 8/2018 Podubni  
D826,187 S 8/2018 Podubni  
D826,188 S 8/2018 Podubni  
D826,189 S 8/2018 Podubni  
D826,190 S 8/2018 Podubni  
D826,191 S 8/2018 Podubni  
D826,192 S 8/2018 Podubni  
D826,193 S 8/2018 Podubni  
D826,194 S 8/2018 Podubni  
D826,195 S 8/2018 Podubni  
D826,196 S 8/2018 Podubni  
10,335,702 B2 \* 7/2019 Almog ..... A63H 33/042  
10,411,424 B2 \* 9/2019 Lin ..... A63H 33/08  
D864,131 S \* 10/2019 MacDonald ..... D13/182  
2008/0166926 A1 \* 7/2008 Seymour ..... A63H 33/042  
439/701  
2009/0268390 A1 \* 10/2009 King ..... G06F 13/409  
361/679.33  
2011/0143629 A1 \* 6/2011 Seymour ..... A63H 33/04  
446/91

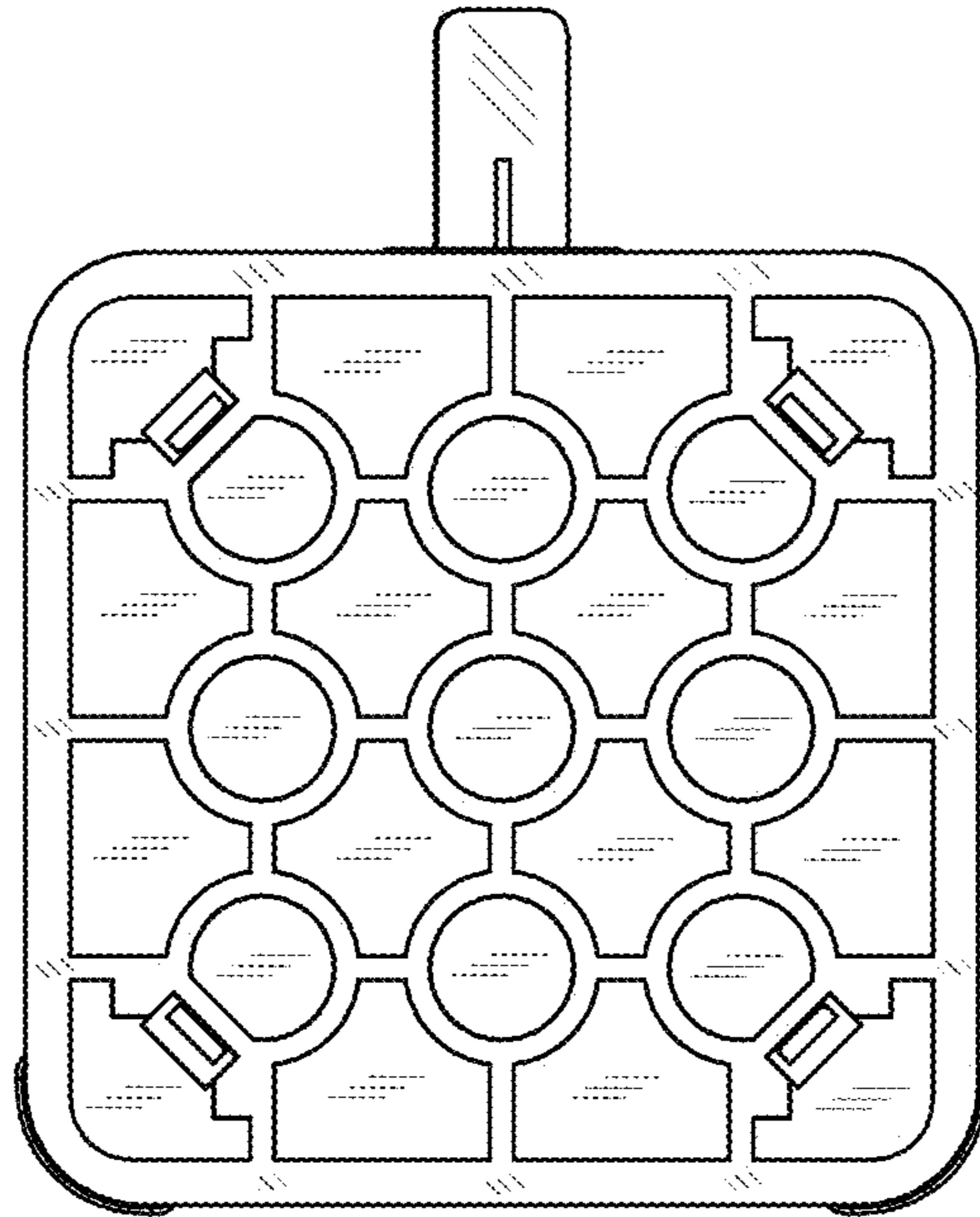
\* cited by examiner



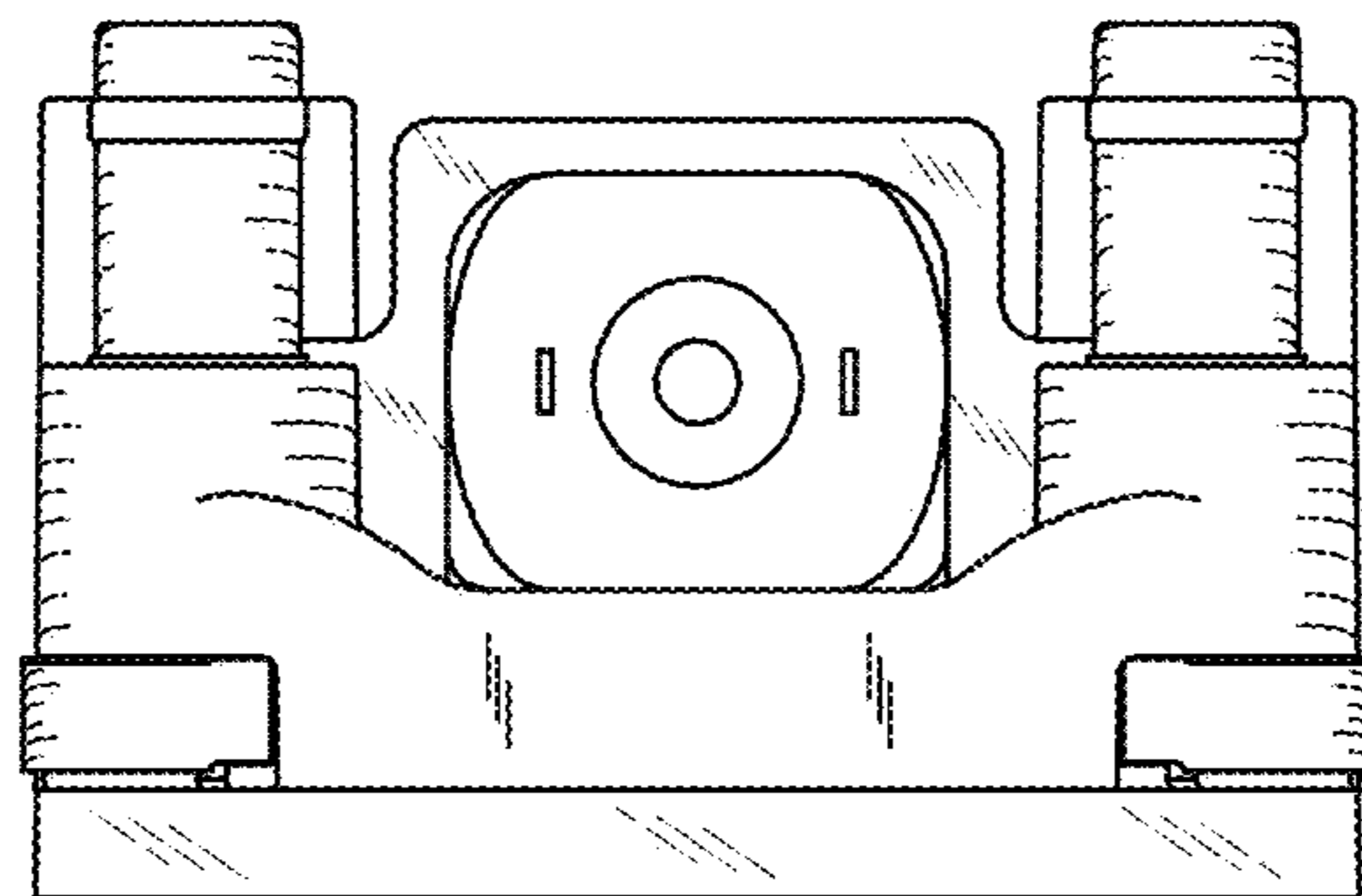
**FIG. 1**



**FIG. 2**

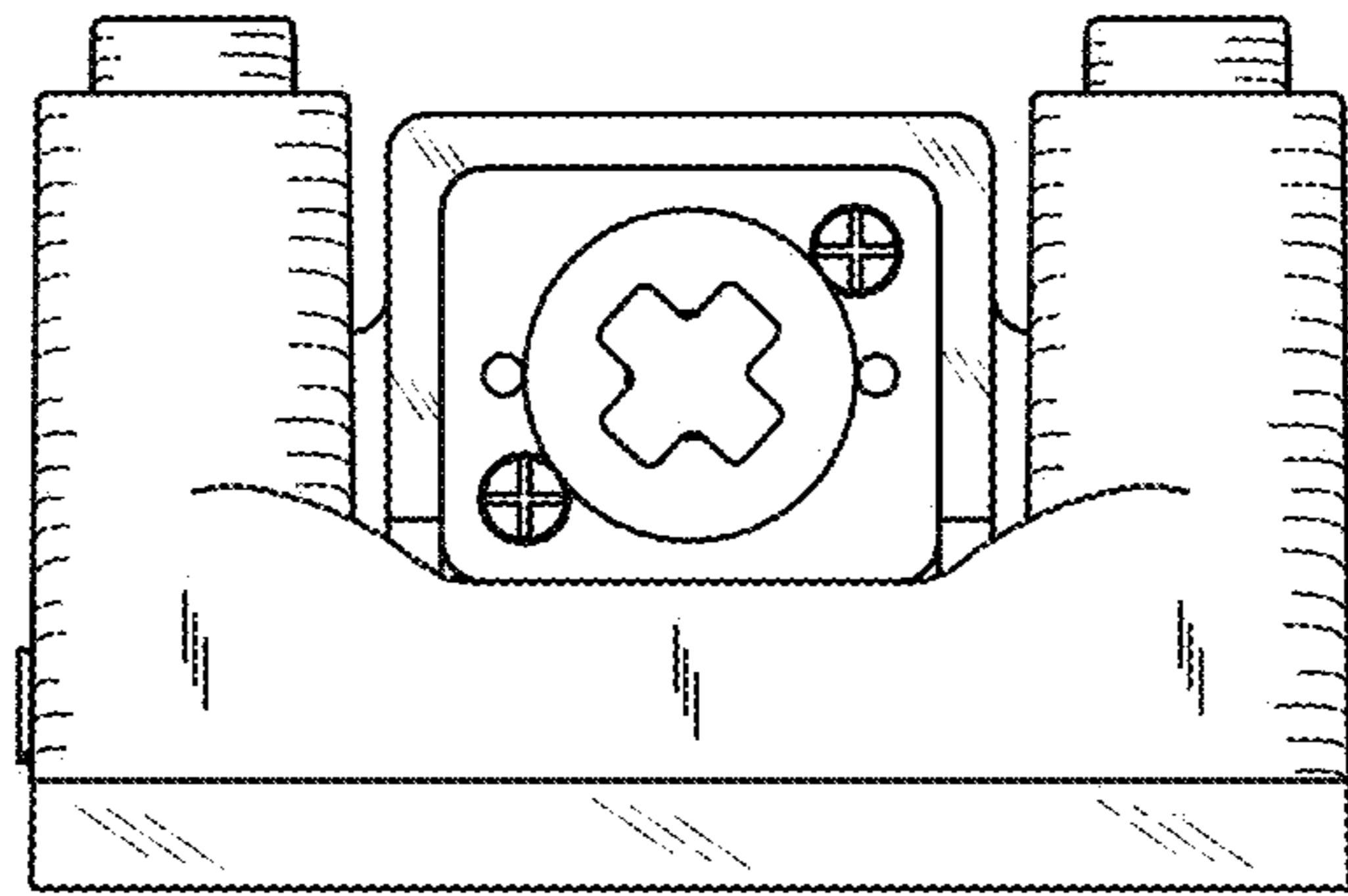


**FIG. 3**

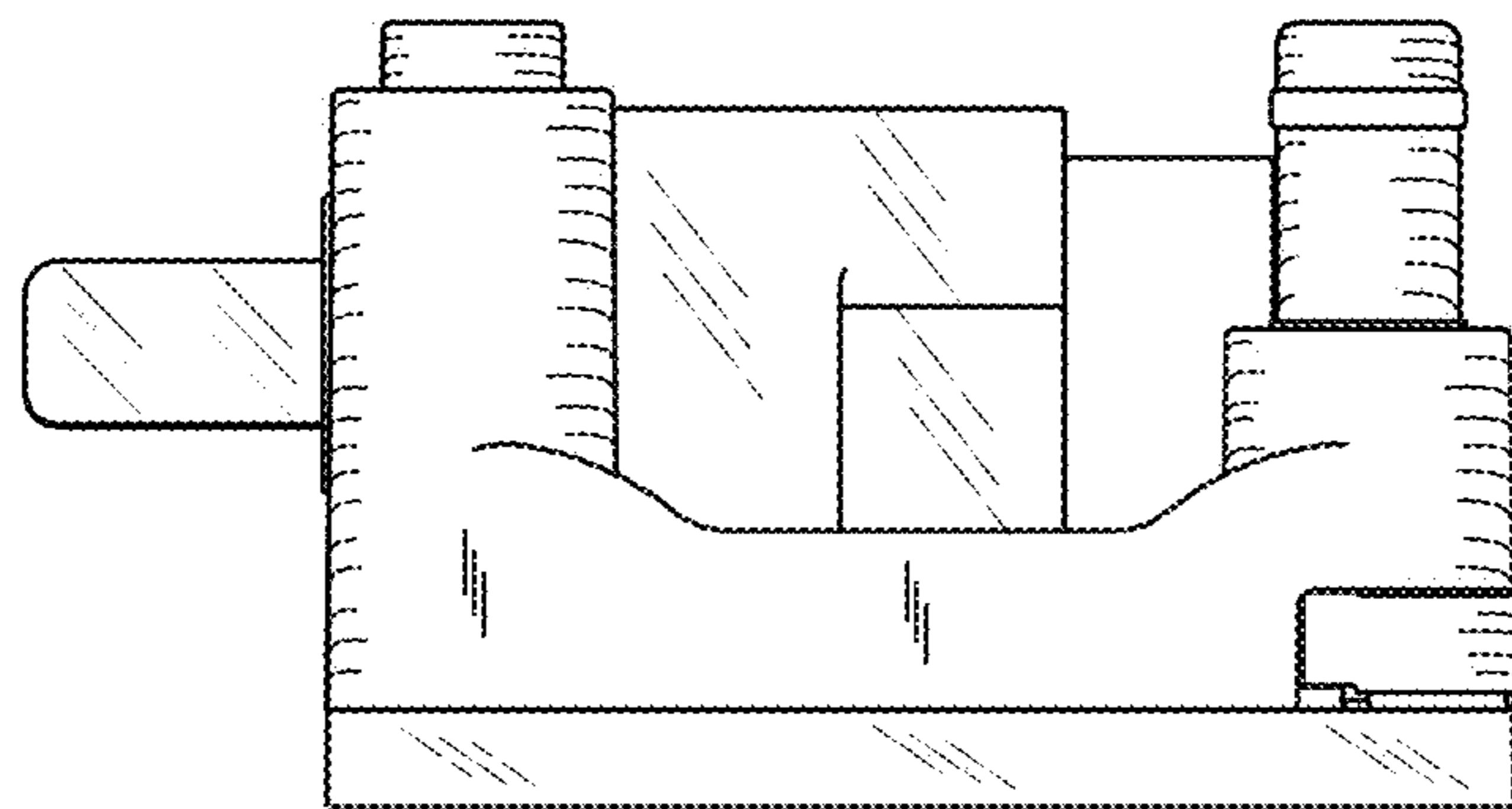


**FIG. 4**

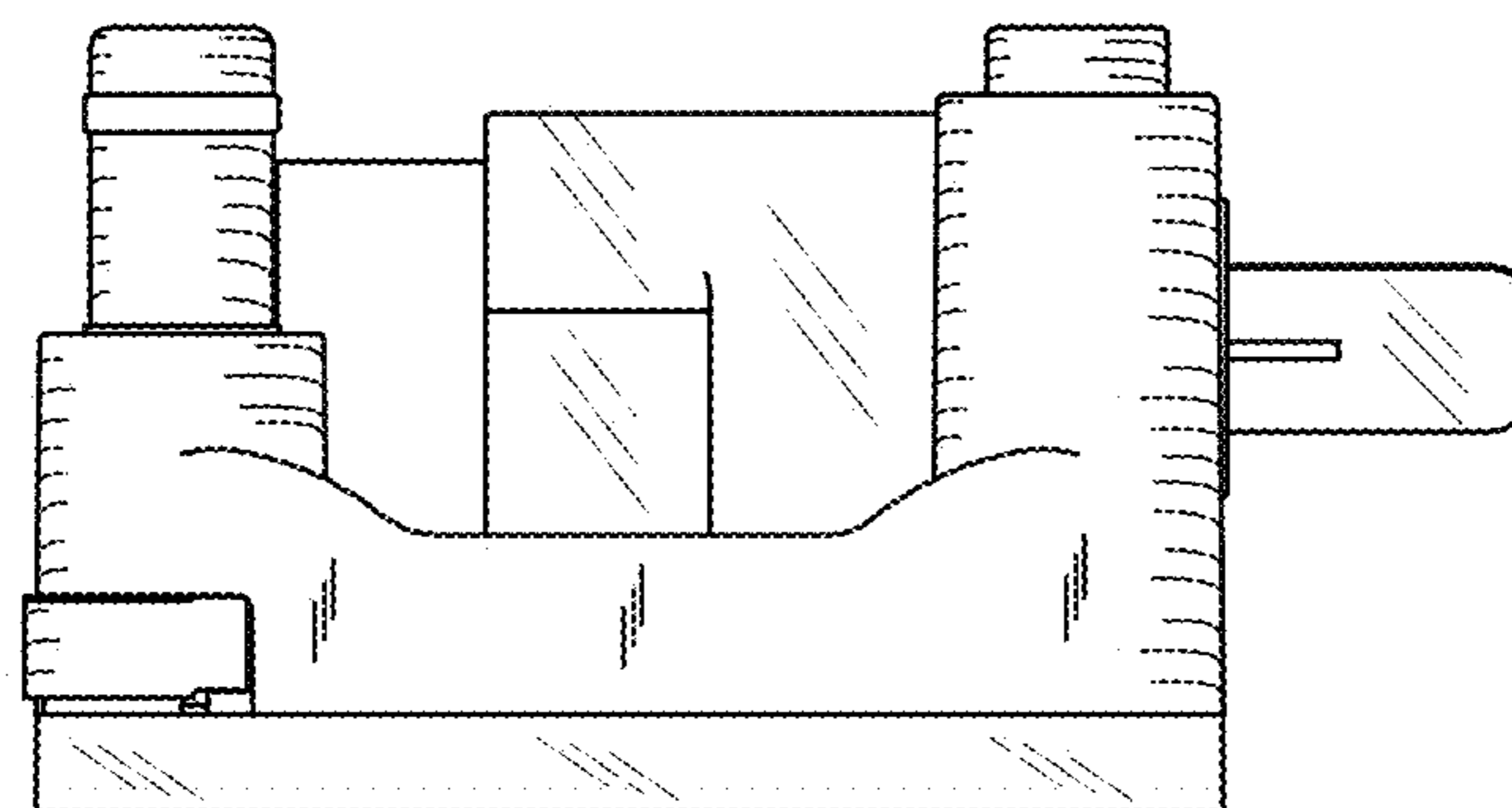




**FIG. 5**



**FIG. 6**



**FIG. 7**

UNITED STATES PATENT AND TRADEMARK OFFICE  
**CERTIFICATE OF CORRECTION**

PATENT NO. : D886,072 S  
APPLICATION NO. : 29/702958  
DATED : June 2, 2020  
INVENTOR(S) : Nathaniel W. MacDonald and John F. Schuster

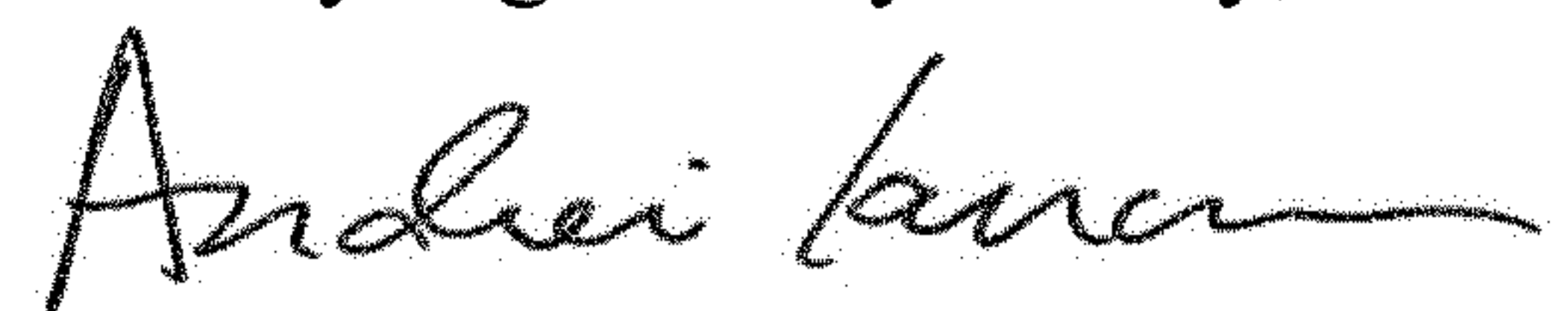
Page 1 of 1

It is certified that error appears in the above-identified patent and that said Letters Patent is hereby corrected as shown below:

On the Title Page  
In DESCRIPTION

delete "The broken lines shown in the drawings represent portions of the circuit cube that form no part of the claimed design."

Signed and Sealed this  
Twenty-eighth Day of July, 2020



Andrei Iancu  
*Director of the United States Patent and Trademark Office*