



US00D886071S

(12) **United States Design Patent** (10) **Patent No.:** **US D886,071 S**  
**Ootsuka** (45) **Date of Patent:** **\*\* Jun. 2, 2020**

(54) **PORTABLE MANUAL PULSE GENERATOR**

8,490,443 B2 \* 7/2013 Gokcebay ..... G07C 9/00666  
 70/214  
 D693,465 S \* 11/2013 Koehler ..... D24/138  
 D723,684 S \* 3/2015 Funakoshi ..... D24/138  
 9,331,608 B2 \* 5/2016 Mast, Jr. .... H02P 3/025  
 D764,655 S \* 8/2016 Klopfer ..... D24/108  
 D767,510 S \* 9/2016 Zheng ..... D13/168  
 D776,811 S \* 1/2017 Ogura ..... D24/138  
 D778,264 S \* 2/2017 Stapelbroek ..... D14/218  
 D780,916 S \* 3/2017 Ogura ..... D24/138  
 D790,545 S \* 6/2017 Dannenberg ..... D14/413  
 D794,785 S \* 8/2017 Ogura ..... D24/138  
 D795,259 S \* 8/2017 Vaninetti ..... D14/412  
 D806,233 S \* 12/2017 Wolper ..... D24/112  
 D814,370 S \* 4/2018 Kim ..... D12/174  
 D839,216 S \* 1/2019 Kim ..... D13/168

(71) Applicant: **FANUC CORPORATION**, Yamanashi (JP)

(72) Inventor: **Yuuma Ootsuka**, Yamanashi (JP)

(73) Assignee: **FANUC CORPORATION**, Yamanashi (JP)

(\*\*) Term: **15 Years**

(21) Appl. No.: **29/589,123**

(22) Filed: **Dec. 28, 2016**

(30) **Foreign Application Priority Data**

Nov. 24, 2016 (JP) ..... 2016-025533  
 Nov. 24, 2016 (JP) ..... 2016-025539

(51) **LOC (12) Cl.** ..... **14-03**

(52) **U.S. Cl.**  
USPC ..... **D13/168**

(58) **Field of Classification Search**  
 USPC ..... D24/106, 117, 118, 137, 133, 138, 135,  
 D24/222; 341/20; 370/310; D14/218,  
 D14/356, 388, 412, 413, 432, 454;  
 D13/168; D21/324, 328, 333, 566  
 CPC .... G05B 19/409; H03K 17/94; H03K 17/955;  
 A63H 27/12; A63H 30/04; B64C 19/00;  
 B64C 39/024; G05D 1/0016; G05D  
 1/0033; G05D 1/0808; G05D 1/0858;  
 G05G 9/047

See application file for complete search history.

(56) **References Cited**

U.S. PATENT DOCUMENTS

D271,312 S \* 11/1983 Renteria ..... D14/413  
 D542,358 S \* 5/2007 Proudfit ..... D21/329  
 D591,365 S \* 4/2009 Pasko ..... D21/566  
 D657,398 S \* 4/2012 Calderwood ..... D15/28

(Continued)

*Primary Examiner* — Manpreet S Matharu

*Assistant Examiner* — Yolanda Robinson

(74) *Attorney, Agent, or Firm* — Studebaker & Brackett PC

(57) **CLAIM**

The ornamental design for a portable manual pulse generator, as shown and described.

**DESCRIPTION**

FIG. 1 is a perspective view of my new design for a portable manual pulse generator showing our new design;

FIG. 2 is a front view thereof;

FIG. 3 is a rear view thereof;

FIG. 4 is a top plan view thereof;

FIG. 5 is a bottom view thereof;

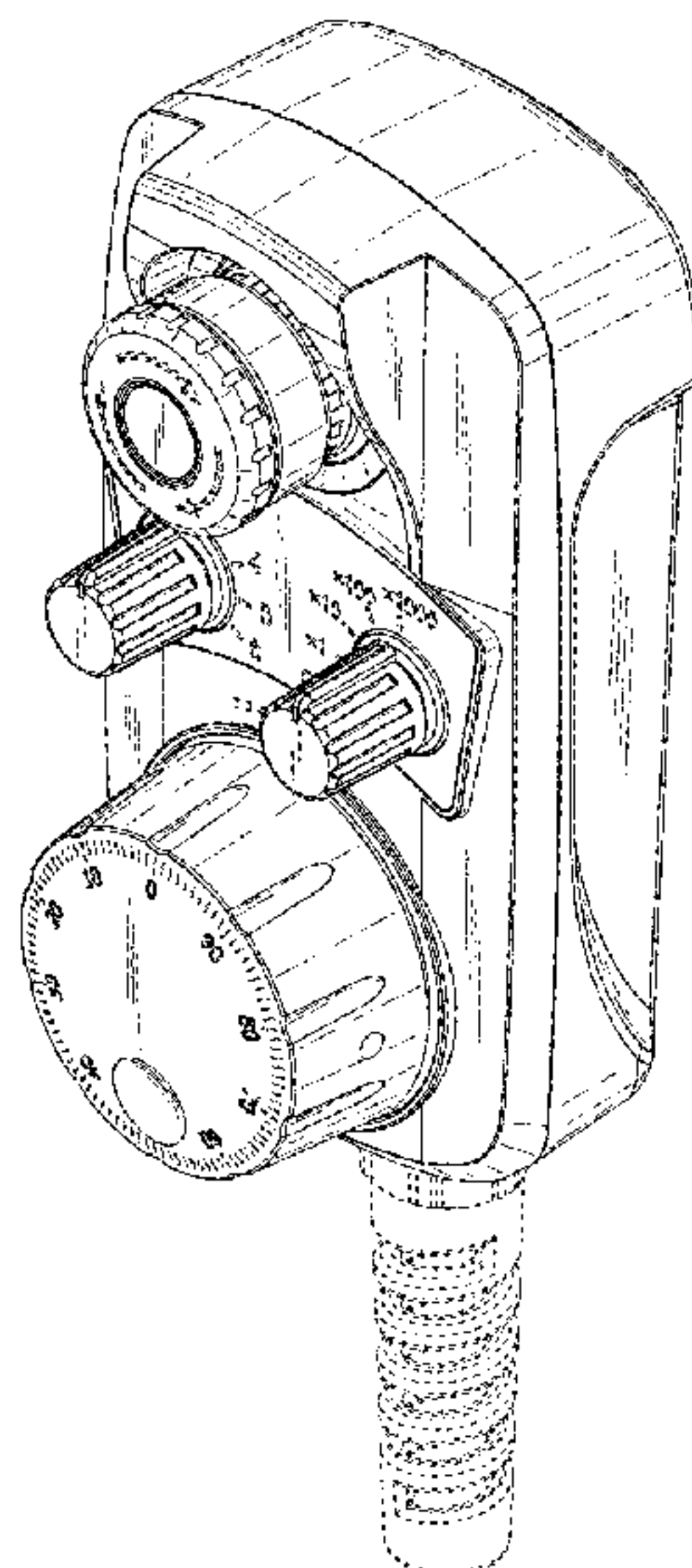
FIG. 6 is a right side view thereof; and,

FIG. 7 is a left side view thereof.

In respective drawings, lines other than the shape lines expressed at surface portions are all for specifying the shapes of three-dimensional surfaces.

The broken lines shown in the figures illustrate portions of the portable manual pulse generator and form no part of the claimed design.

**1 Claim, 7 Drawing Sheets**



(56)

**References Cited**

U.S. PATENT DOCUMENTS

D840,358 S \* 2/2019 Zhao ..... D13/168  
D855,798 S \* 8/2019 Amano ..... D24/127  
2009/0185516 A1\* 7/2009 Chen ..... G05B 19/409  
370/310  
2009/0256725 A1\* 10/2009 Yang ..... G05B 19/409  
341/20  
2016/0347442 A1\* 12/2016 Golborne ..... B64C 27/04  
2017/0031382 A1\* 2/2017 Niguet ..... G05G 9/047  
2017/0146977 A1\* 5/2017 Campbell ..... G05B 19/042  
2018/0143614 A1\* 5/2018 Aizawa ..... G05B 19/409  
2019/0129379 A1\* 5/2019 Norz ..... G05B 19/409

\* cited by examiner

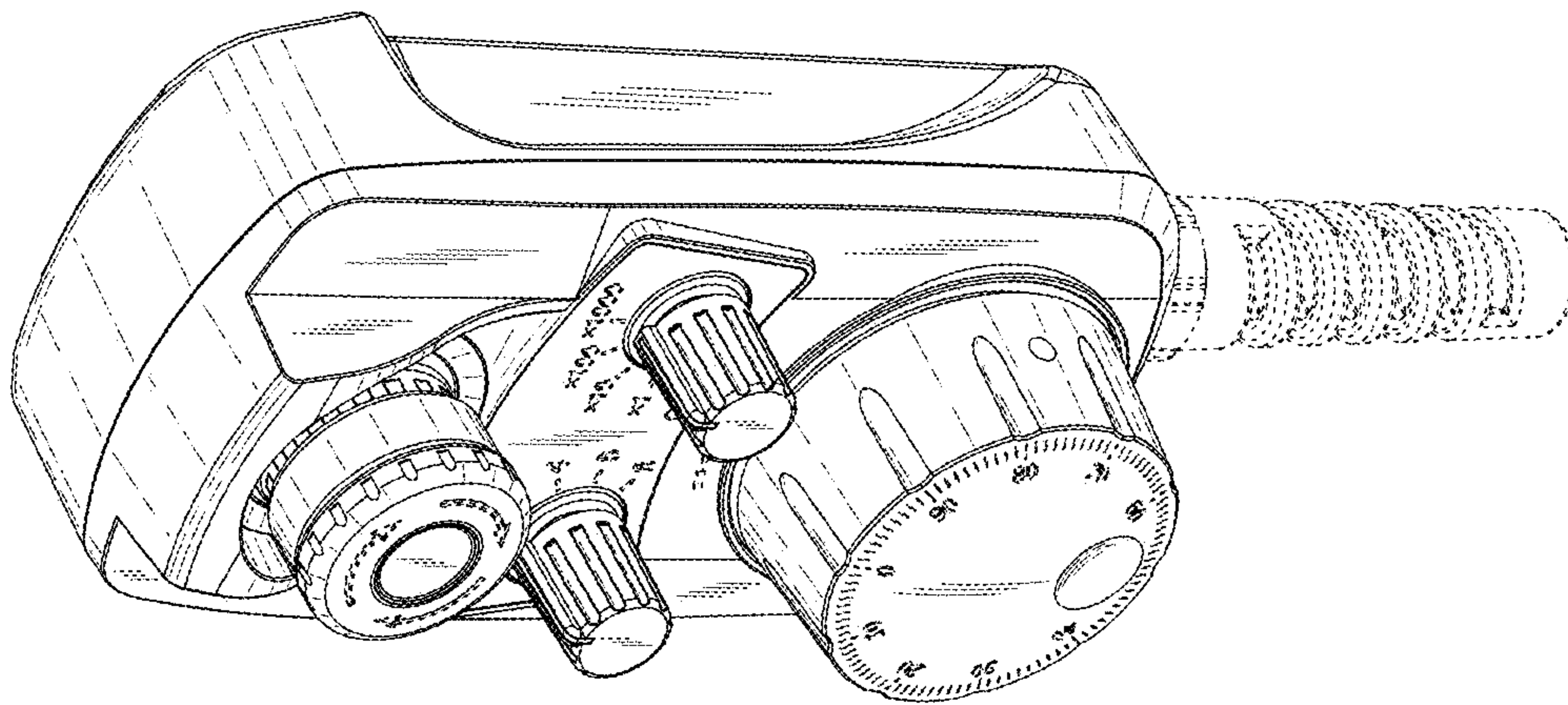


FIG.1

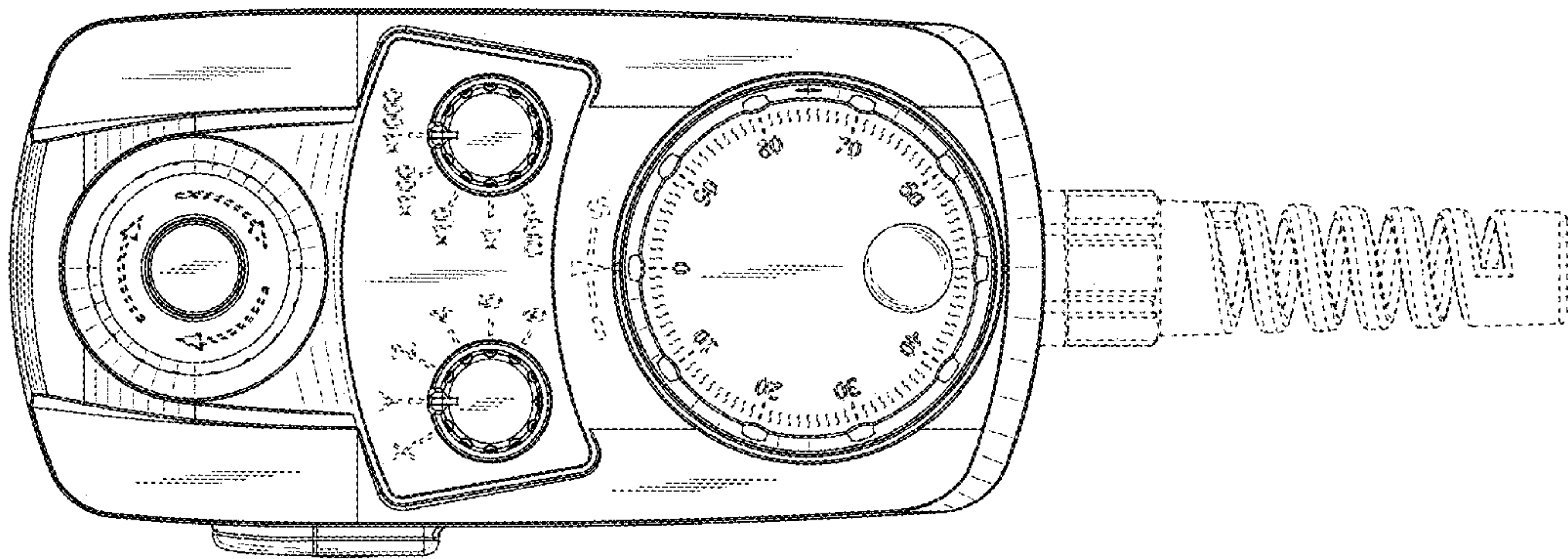


FIG.2



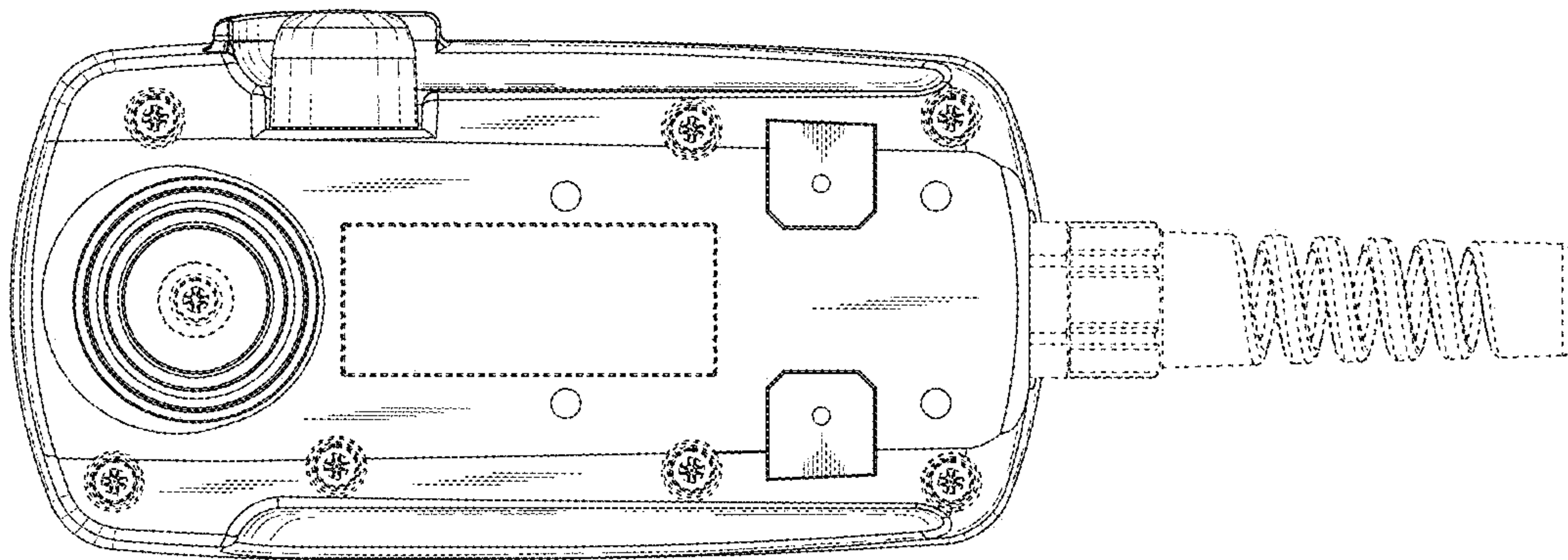


FIG.3

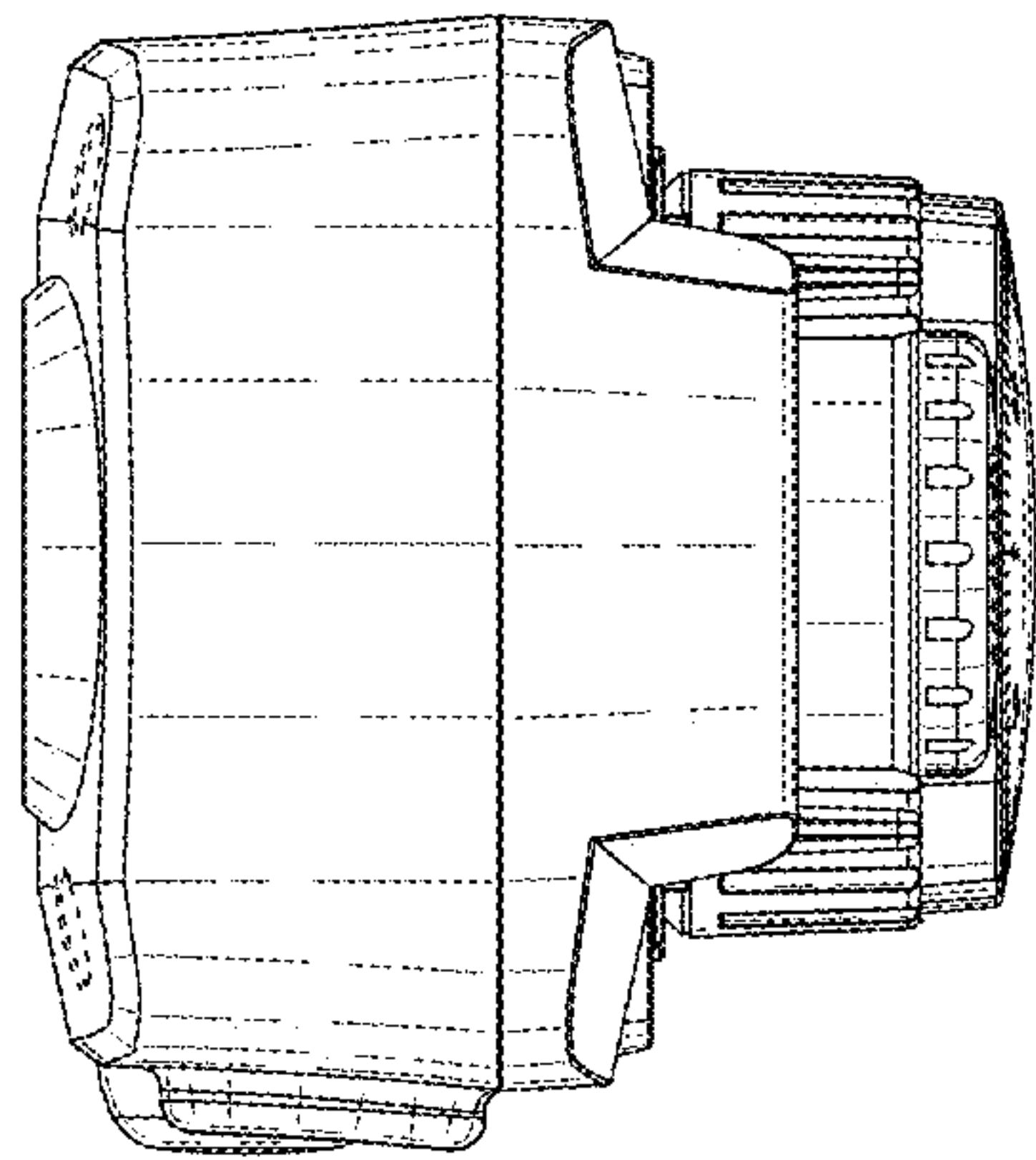


FIG.4

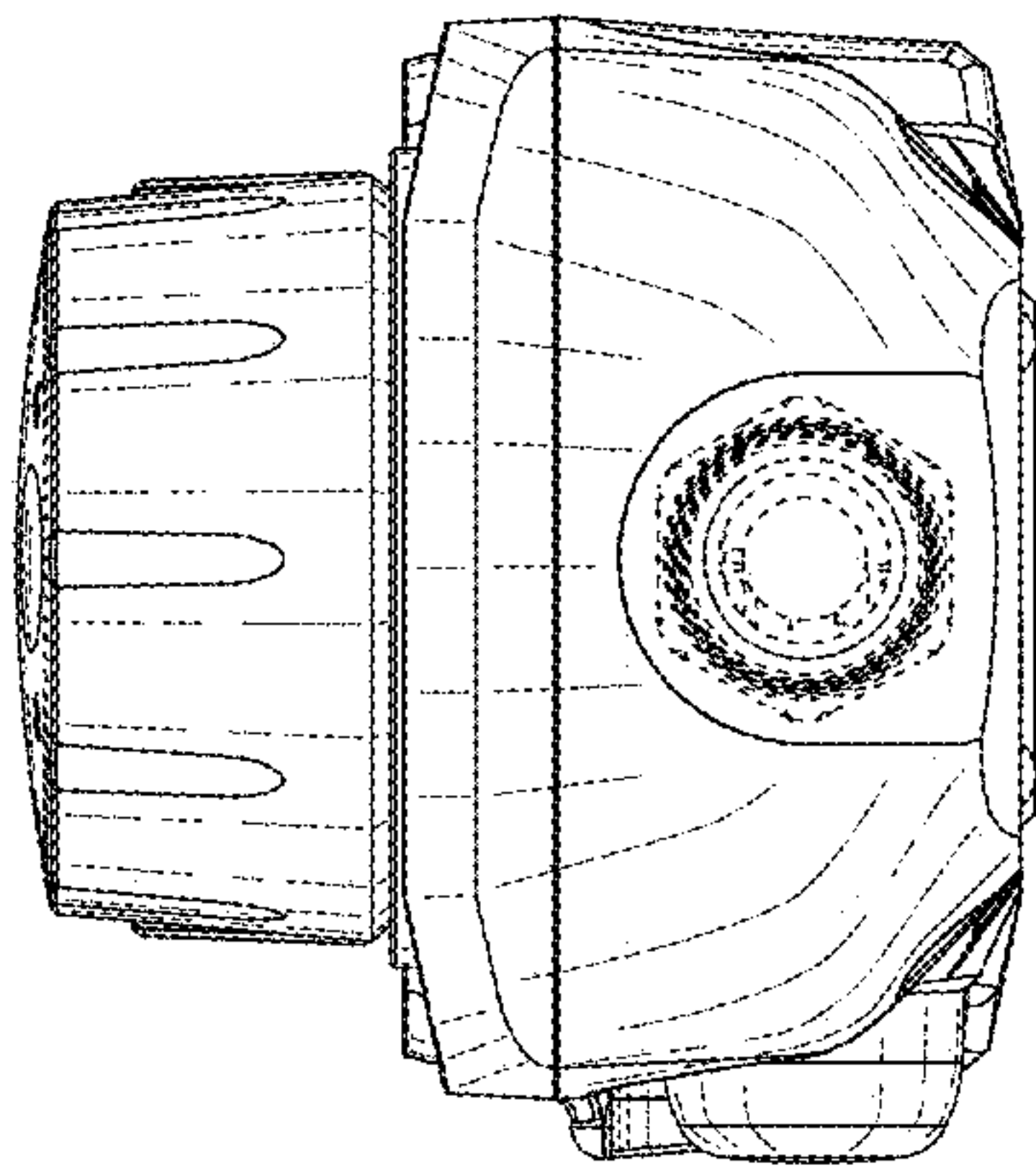


FIG.5

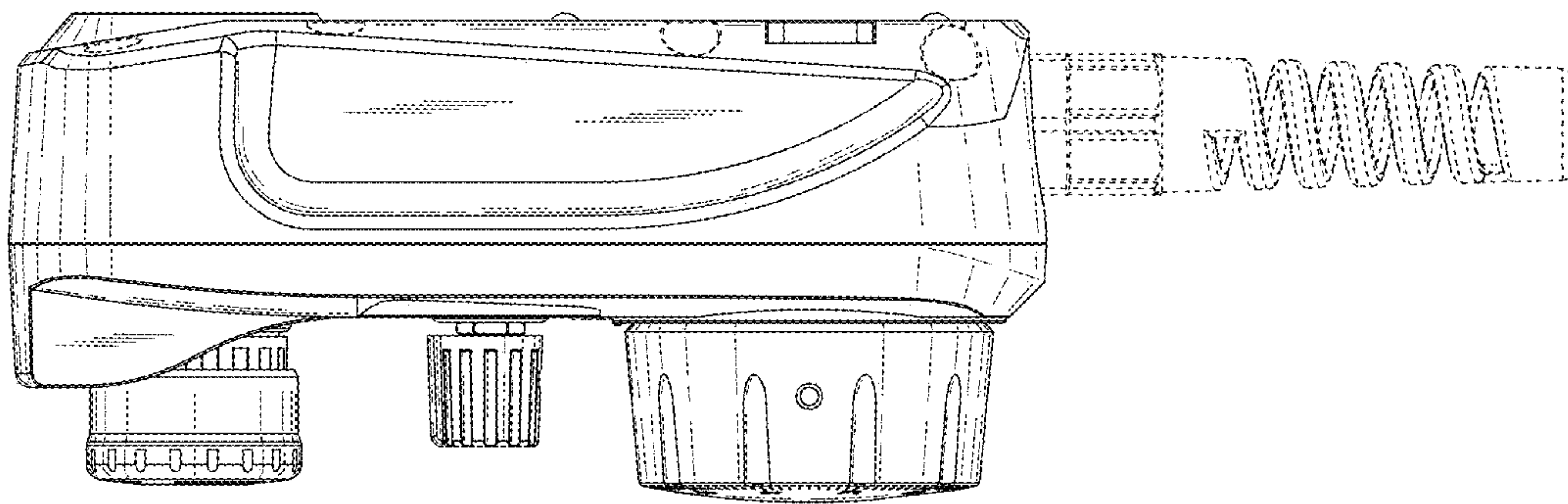


FIG.6



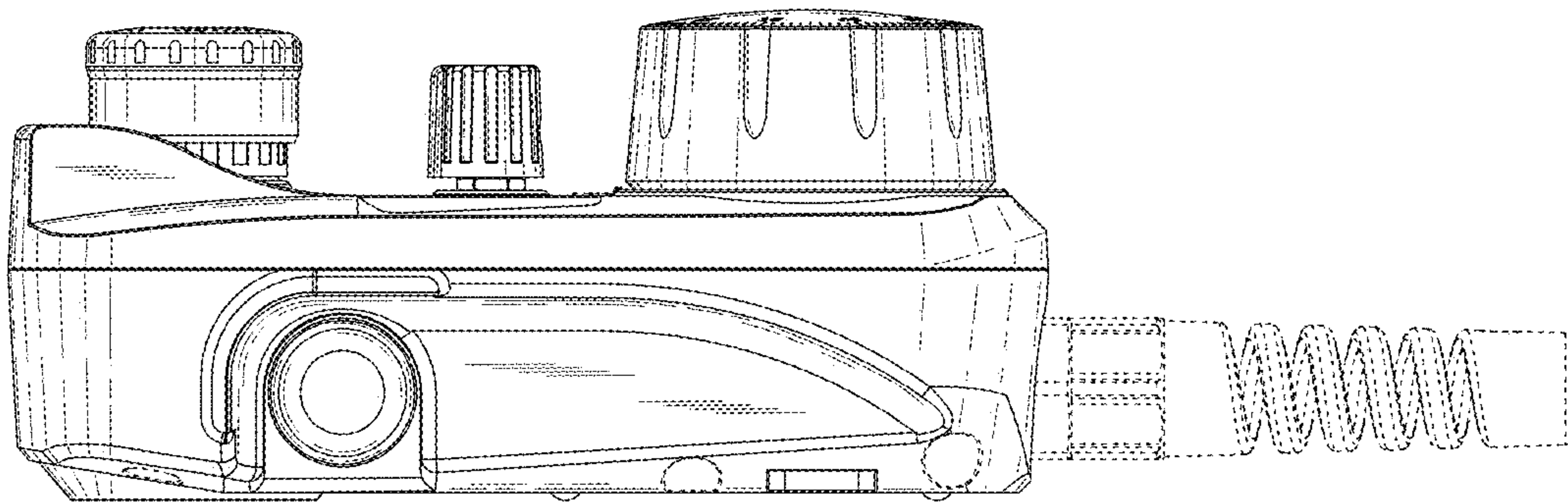


FIG.7