



US00D886070S

(12) **United States Design Patent**  
**Giovanni et al.**

(10) **Patent No.:** **US D886,070 S**  
(45) **Date of Patent:** **\*\* Jun. 2, 2020**

- (54) **ROTARY SWITCH MODULE**
- (71) Applicant: **DEERE & COMPANY**, Moline, IL (US)
- (72) Inventors: **Wuisan Giovanni**, Epworth, IA (US); **Troy Maddox**, Dubuque, IA (US); **Ronald Huber**, Denver, IA (US); **Scott Breiner**, Dubuque, IA (US); **Kyle Holl**, Durango, IA (US)
- (73) Assignee: **DEERE & COMPANY**, Moline, IL (US)
- (\*\*) Term: **15 Years**
- (21) Appl. No.: **29/673,135**
- (22) Filed: **Dec. 12, 2018**
- (51) **LOC (12) Cl.** ..... **13-03**
- (52) **U.S. Cl.**  
USPC ..... **D13/162**
- (58) **Field of Classification Search**  
USPC ..... D13/162, 171, 174, 177  
CPC .. H01H 3/02; H01H 3/08; H01H 3/12; H01H 3/16; H01H 13/04; H01H 13/14; H01H 19/04; H01H 19/14; H01H 2025/04; H01H 2025/043; G06F 3/0362; G05G 1/08; G05G 1/10; H02G 3/14; H05K 5/0017; H05K 5/0026  
See application file for complete search history.

- 8,901,443 B2 \* 12/2014 Baker ..... G06F 3/0362  
200/17 R
- D765,611 S \* 9/2016 Kalauer ..... D13/177
- D807,309 S \* 1/2018 Johnson ..... D13/174
- 10,318,139 B1 \* 6/2019 Namm ..... G06F 3/04847
- 2014/0380243 A1 \* 12/2014 Furue ..... G06F 3/0362  
715/835
- 2015/0231969 A1 \* 8/2015 Holl ..... G06F 3/0308  
345/158
- 2015/0331441 A1 \* 11/2015 Ho ..... H05K 5/0239  
361/752
- 2016/0085321 A1 \* 3/2016 Jung ..... G06F 3/0362  
345/184
- 2018/0308649 A1 \* 10/2018 Kubes ..... H01H 36/02

\* cited by examiner

*Primary Examiner* — Selina Sikder

(57) **CLAIM**

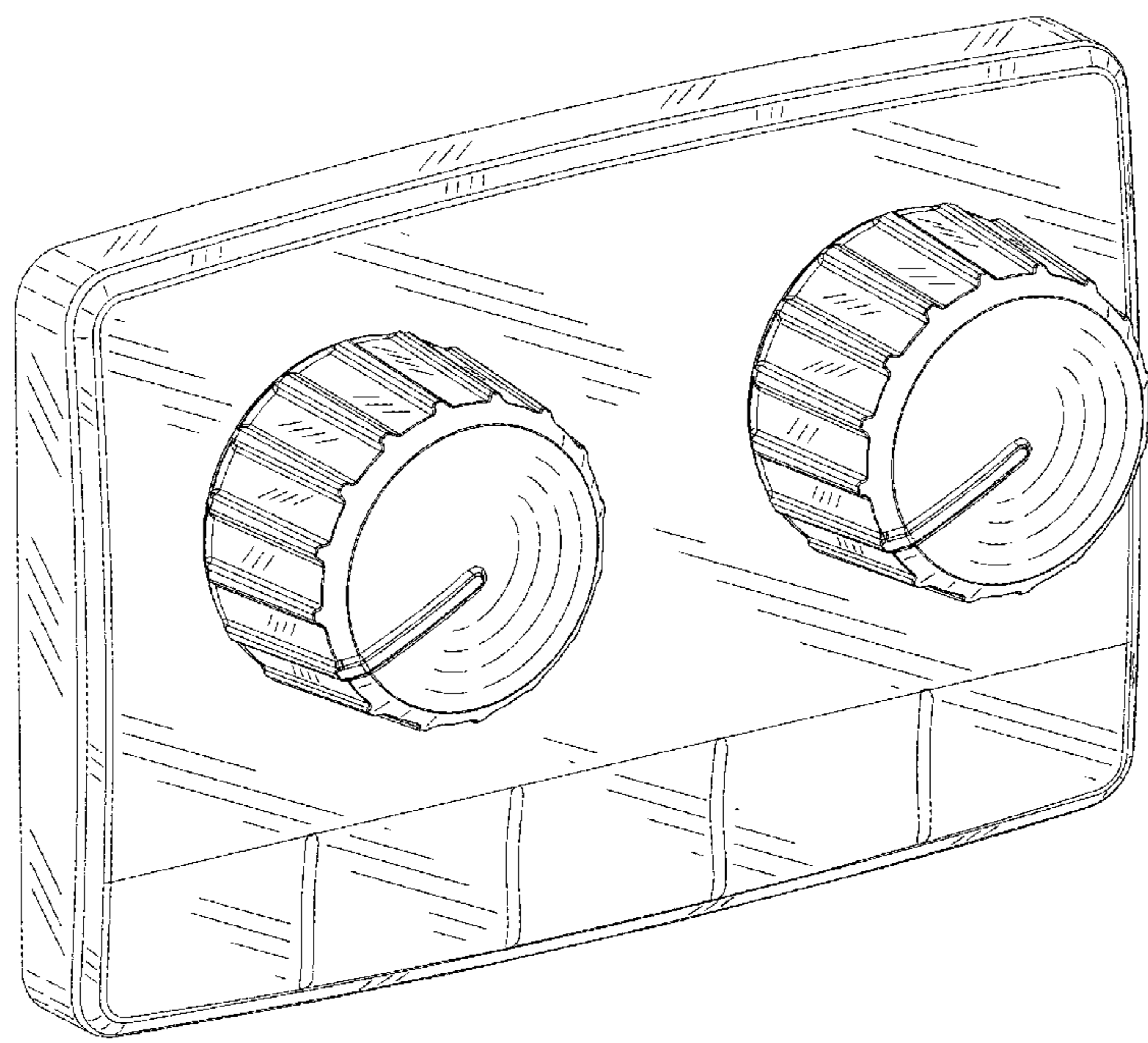
The ornamental design for a rotary switch module, as shown and described.

**DESCRIPTION**

FIG. 1 is an image of a perspective view of the rotary switch module.  
 FIG. 2 is a first side view of the rotary switch module.  
 FIG. 3 is a second side view of the rotary switch module.  
 FIG. 4 is a front view of the rotary switch module.  
 FIG. 5 is a back view of the rotary switch module.  
 FIG. 6 is a top view of the rotary switch module; and,  
 FIG. 7 is a bottom view of the rotary switch module.  
 The ornamental design which is claimed is shown in solid lines in the drawings. The portions of the design shown in broken lines or dashed lines are included for the purpose of illustrating environment and form no part of the claimed design.

- (56) **References Cited**  
U.S. PATENT DOCUMENTS  
D513,737 S \* 1/2006 Riley ..... D13/162  
D574,332 S \* 8/2008 Filban ..... D13/162  
D603,345 S \* 11/2009 Melzner ..... D13/162

**1 Claim, 7 Drawing Sheets**



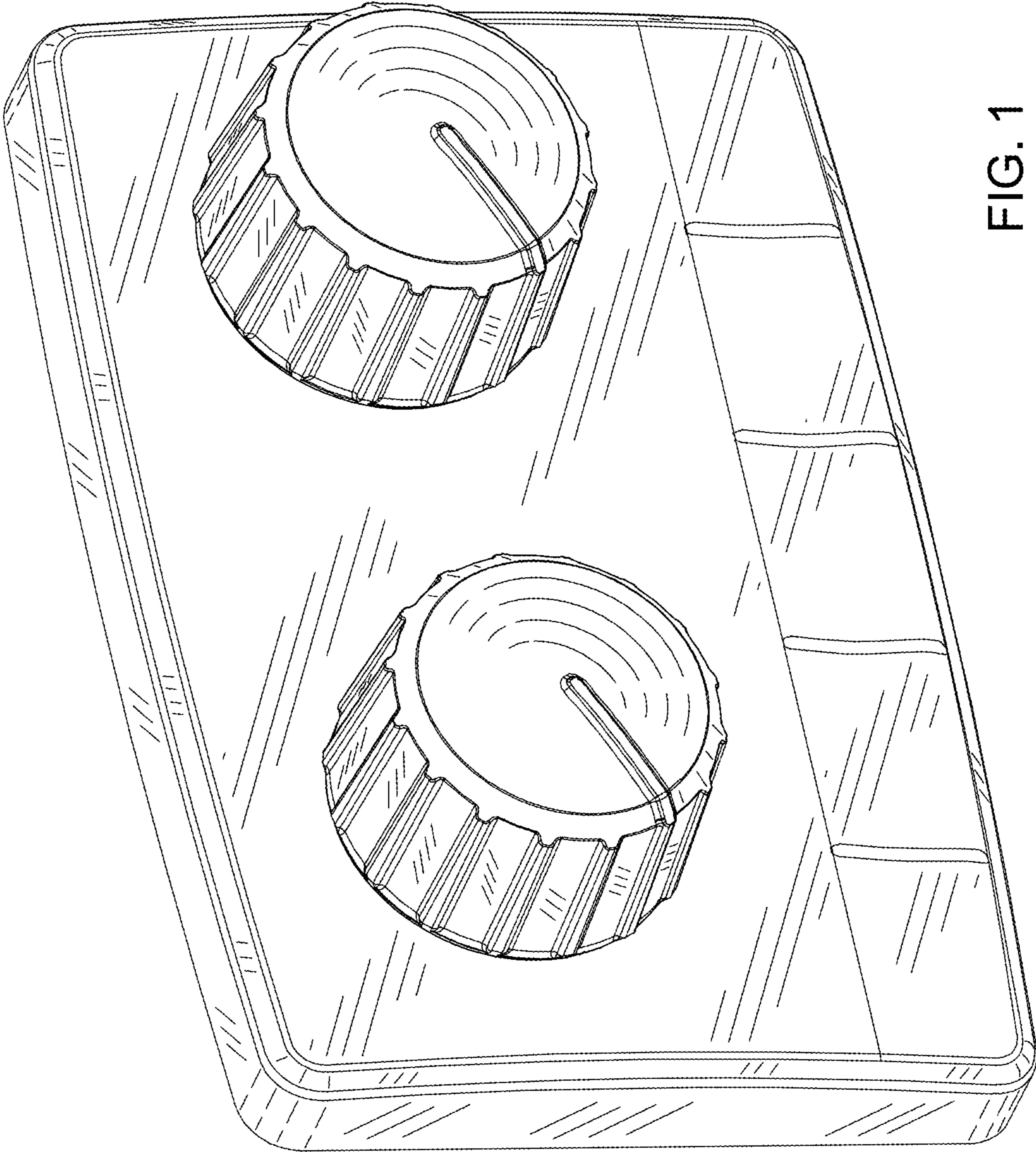


FIG. 1

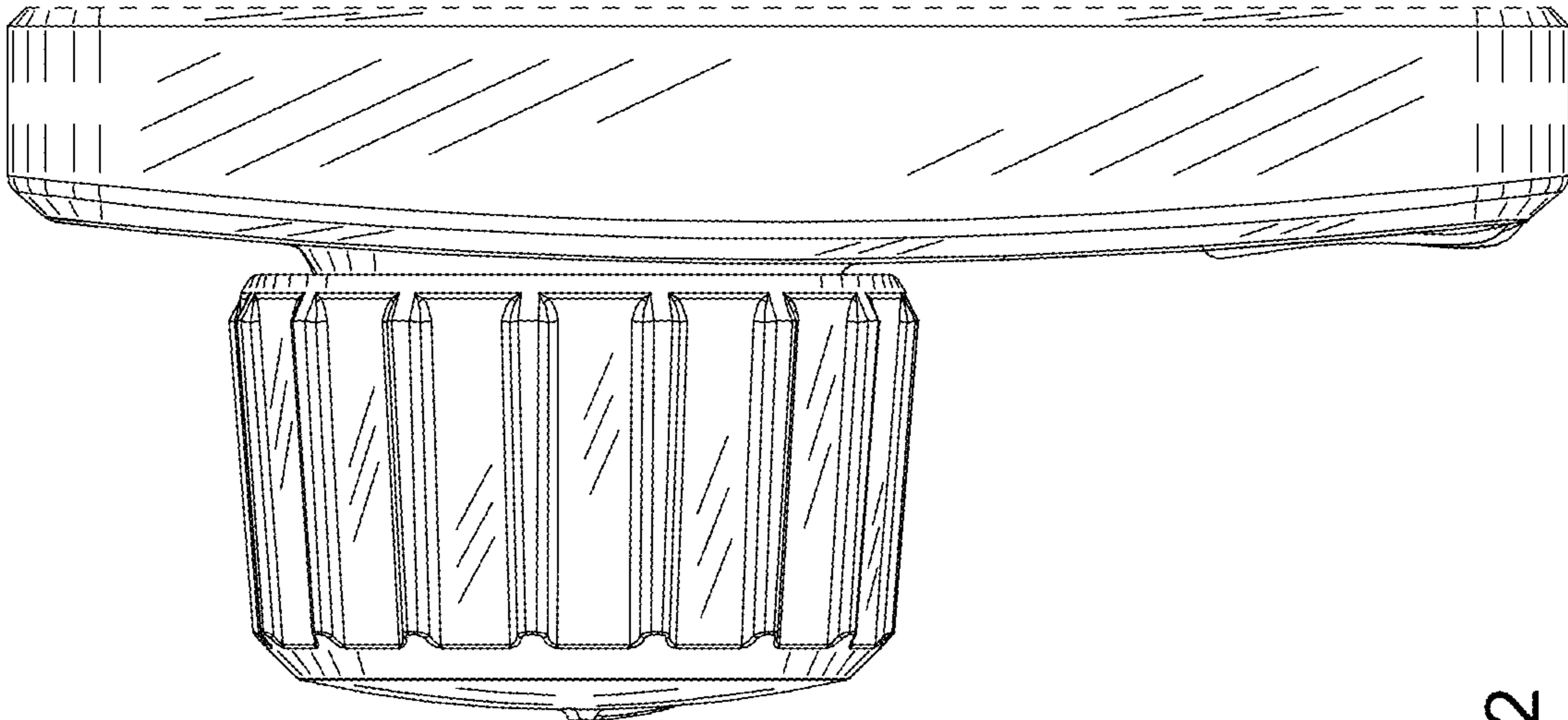


FIG. 2

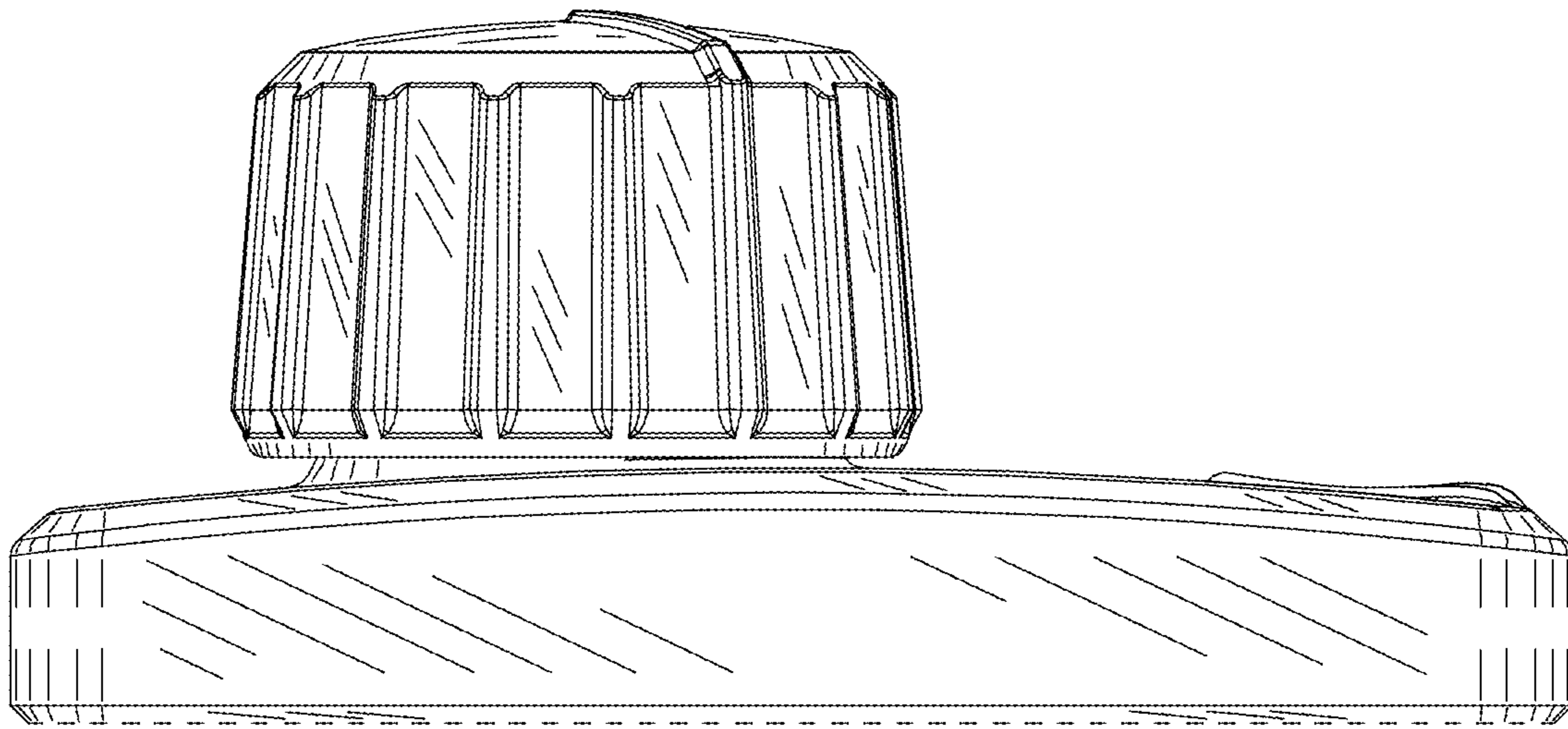


FIG. 3

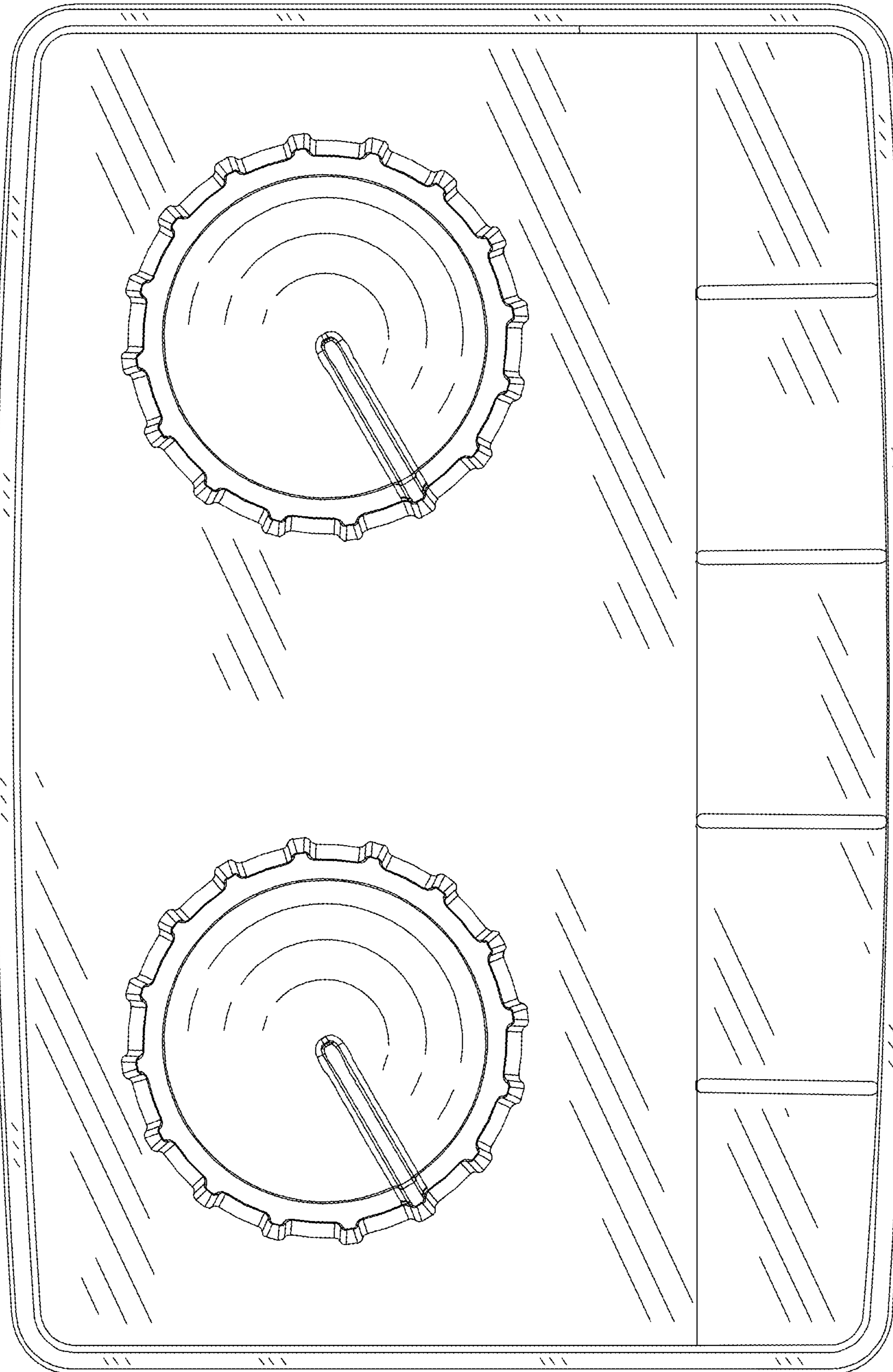


FIG. 4

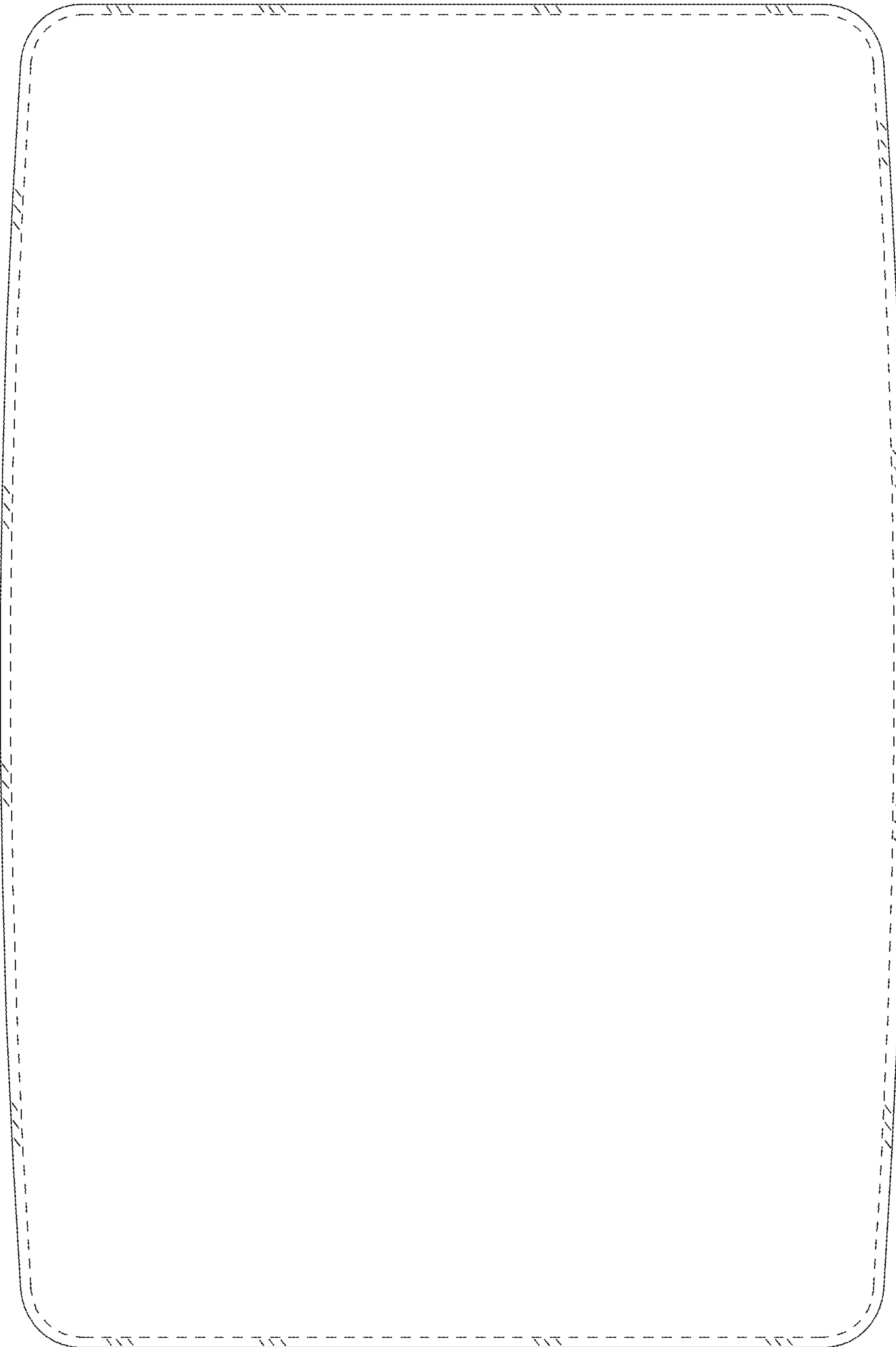


FIG. 5

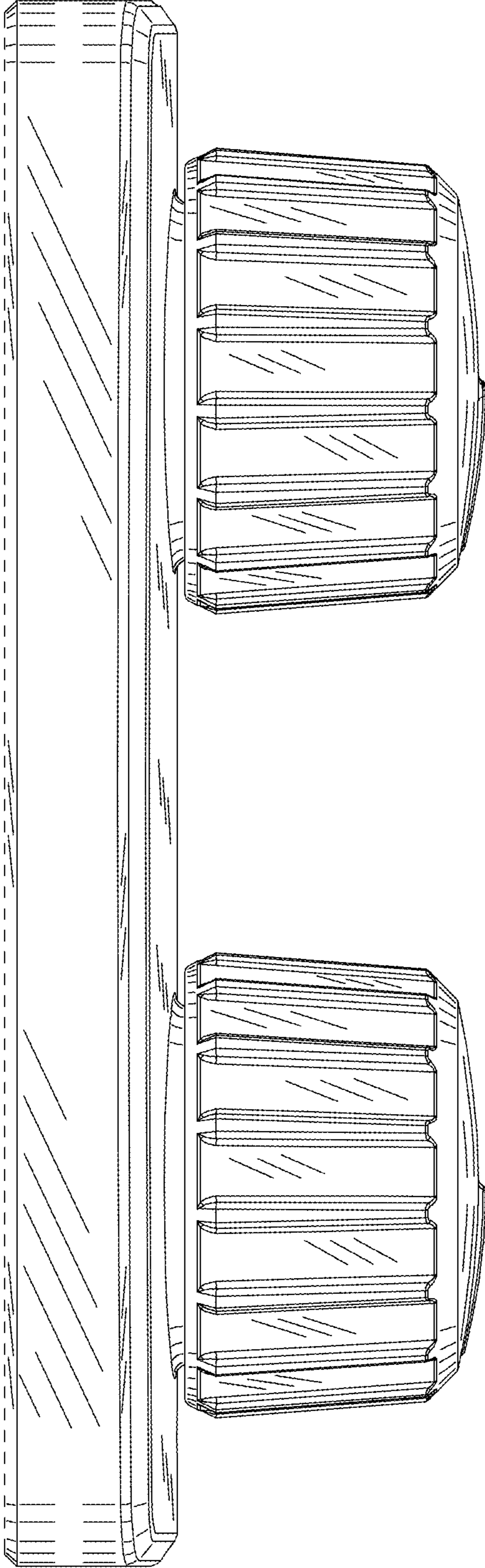


FIG. 6

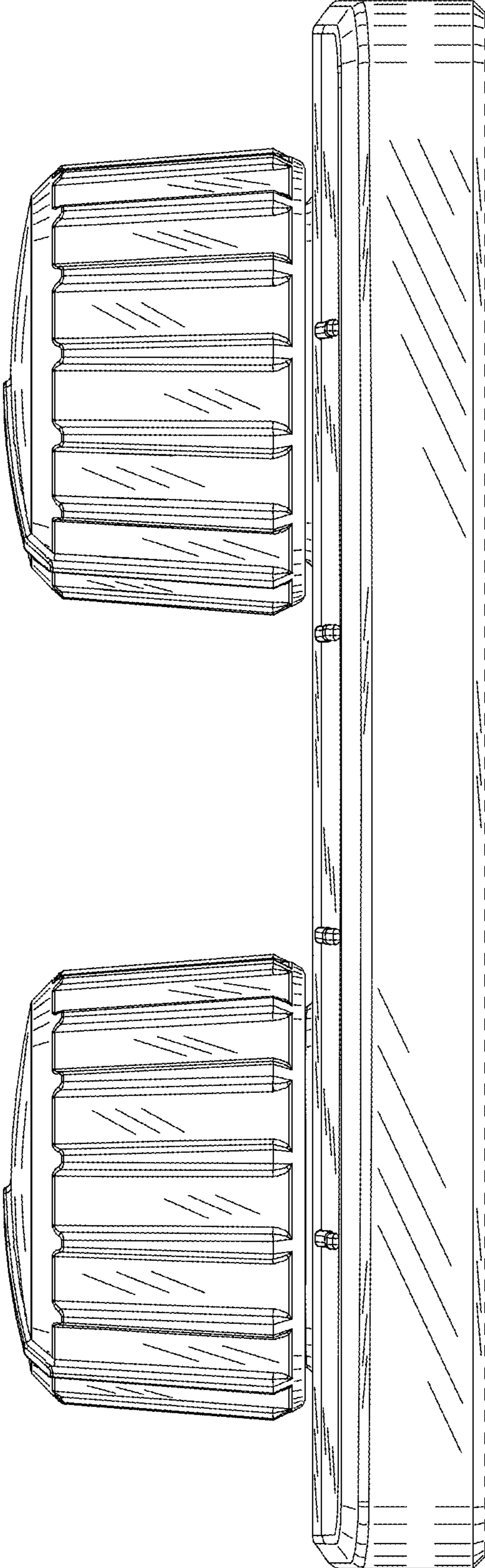


FIG. 7