



US00D886069S

(12) **United States Design Patent**
Boffelli et al.

(10) **Patent No.:** **US D886,069 S**
(45) **Date of Patent:** **** Jun. 2, 2020**

(54) **SWITCH WITH A COVER PLATE**
(71) Applicant: **ABB Schweiz AG**, Baden (CH)
(72) Inventors: **Carlo Boffelli**, Dalmine (IT); **Andrea Bianco**, Sesto San Giovanni (IT)
(73) Assignee: **ABB Schweiz AG**, Baden (CN)
(**) Term: **15 Years**
(21) Appl. No.: **29/675,299**
(22) Filed: **Dec. 31, 2018**
(30) **Foreign Application Priority Data**

Jul. 2, 2018 (EM) 005347002
(51) **LOC (12) Cl.** **13-03**
(52) **U.S. Cl.**
USPC **D13/158**
(58) **Field of Classification Search**
USPC D13/158, 162, 177, 178
CPC H01H 3/38; H01H 3/46; H01H 9/0207;
H01H 9/30; H01H 9/542; H01H 9/56;
H01H 85/25; H01H 33/04; H01H 33/666;
H01H 33/6662; H02B 11/133; H02B
11/167
See application file for complete search history.

(56) **References Cited**
U.S. PATENT DOCUMENTS
D589,002 S * 3/2009 Magoni D13/160
D777,116 S * 1/2017 Boffelli D13/158
9,779,891 B1 * 10/2017 Ashtekar H02B 11/10
D812,018 S * 3/2018 Boffelli D13/158
D837,751 S * 1/2019 Boffelli D13/177
D864,129 S * 10/2019 McCarthy D13/177
2007/0252667 A1 * 11/2007 Zhou H01H 3/227
335/16
2008/0296138 A1 * 12/2008 Chen H01H 71/44
200/400

2009/0009933 A1 * 1/2009 Rambo H02B 11/133
361/606
2009/0200270 A1 * 8/2009 Chen H01H 33/6606
218/119
2011/0155697 A1 * 6/2011 Lee H01H 33/022
218/140
2012/0320487 A1 * 12/2012 Cortinovia H01H 33/666
361/115
2014/0138357 A1 * 5/2014 Kasza H01H 11/00
218/134
2015/0101913 A1 * 4/2015 Benke B62B 3/008
200/50.23
2015/0114807 A1 * 4/2015 Benke H02B 11/167
200/50.23
2015/0262767 A1 * 9/2015 Benke H01H 71/12
200/50.27
2015/0332883 A1 * 11/2015 Benke H01H 71/125
335/9

(Continued)

Primary Examiner — Selina Sikder
(74) *Attorney, Agent, or Firm* — Taft Stettinius & Hollister LLP; J. Bruce Schelkopf

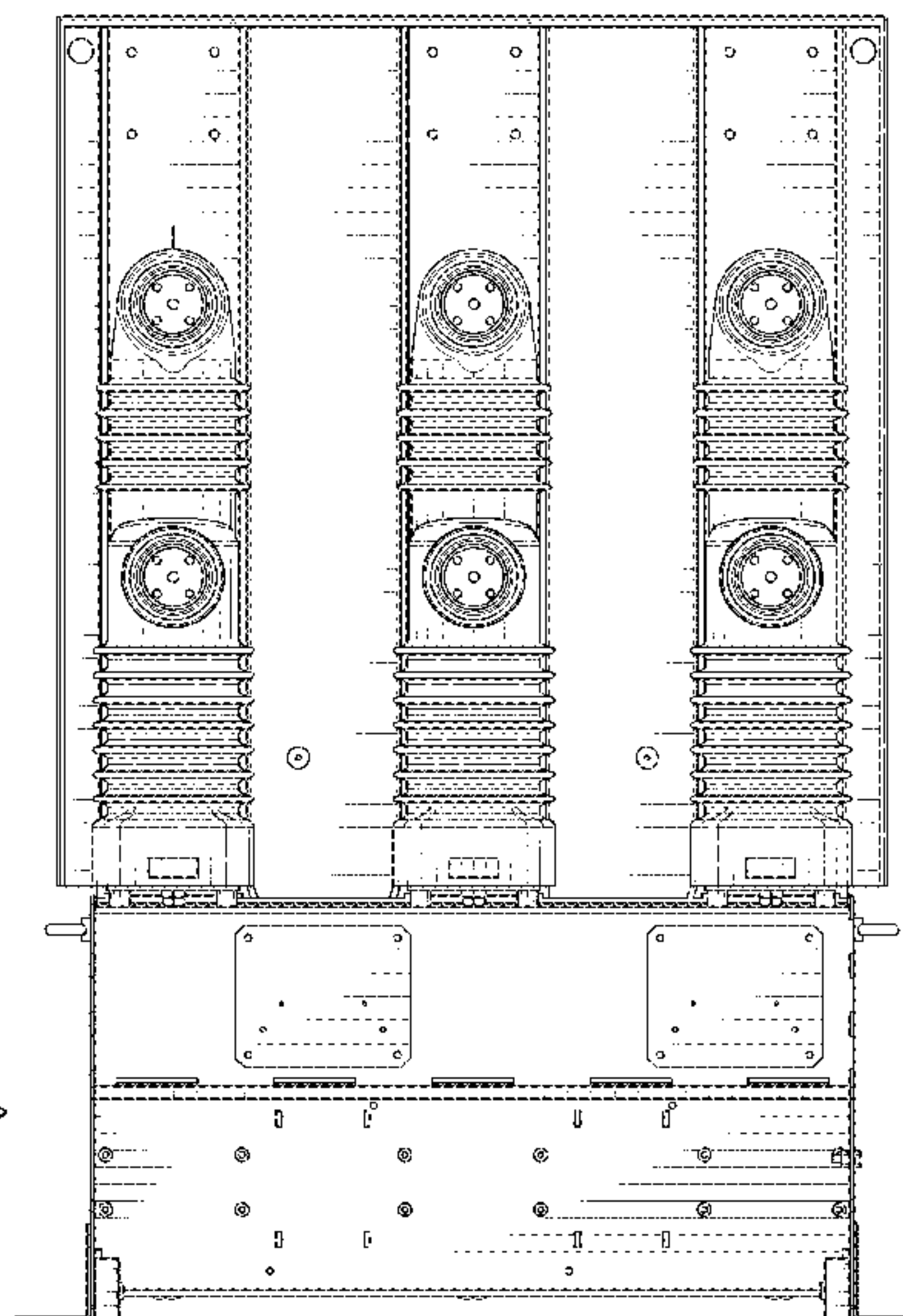
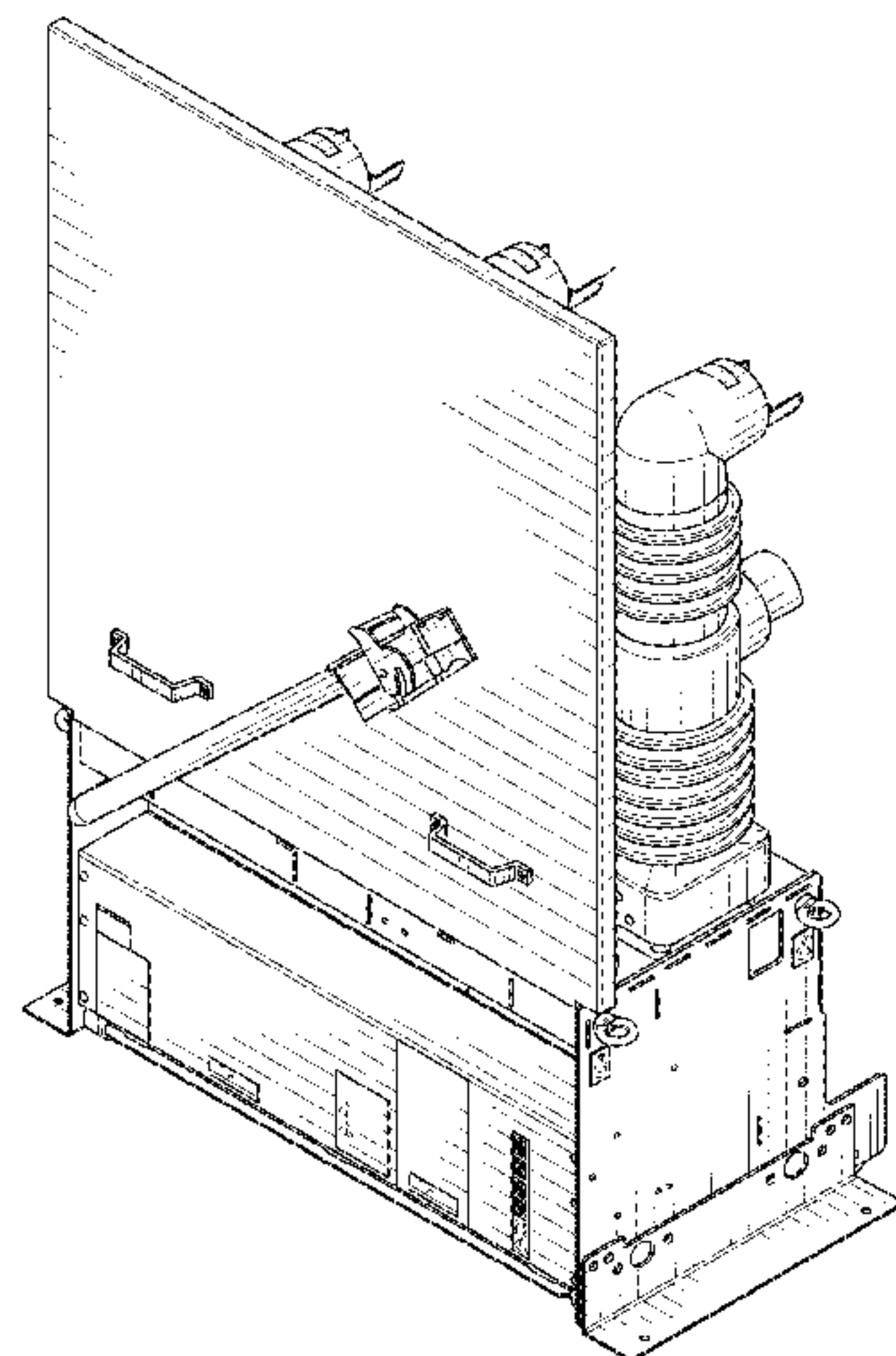
(57) **CLAIM**

The ornamental design for a switch with a cover plate, as shown and described.

DESCRIPTION

FIG. 1 is a front perspective view of the switch with a cover plate;
FIG. 2 is a front elevation view thereof;
FIG. 3 is a rear elevation view thereof;
FIG. 4 is a right side elevation view thereof;
FIG. 5 is a left side elevation view thereof;
FIG. 6 is a top plan view thereof; and,
FIG. 7 is a bottom plan view thereof.
The broken lines shown in FIG. 2 view is for depicting portions of the switch with a cover plate that form no part of the claimed design.

1 Claim, 6 Drawing Sheets



(56)

References Cited

U.S. PATENT DOCUMENTS

2016/0099552 A1* 4/2016 Sims E05B 65/46
361/609
2016/0141117 A1* 5/2016 Ashtekar H01H 1/0015
2016/0203924 A1* 7/2016 Bianco H01H 9/56
307/127
2016/0301196 A1* 10/2016 Hanna H02B 11/127
2017/0179692 A1* 6/2017 Farina H01H 3/161
2018/0151309 A1* 5/2018 Huang H01H 3/227
2018/0218851 A1* 8/2018 Bianco H05K 1/028
2018/0350538 A1* 12/2018 Delpozso H01H 33/66207
2018/0358791 A1* 12/2018 Robinson H01H 71/0264

* cited by examiner

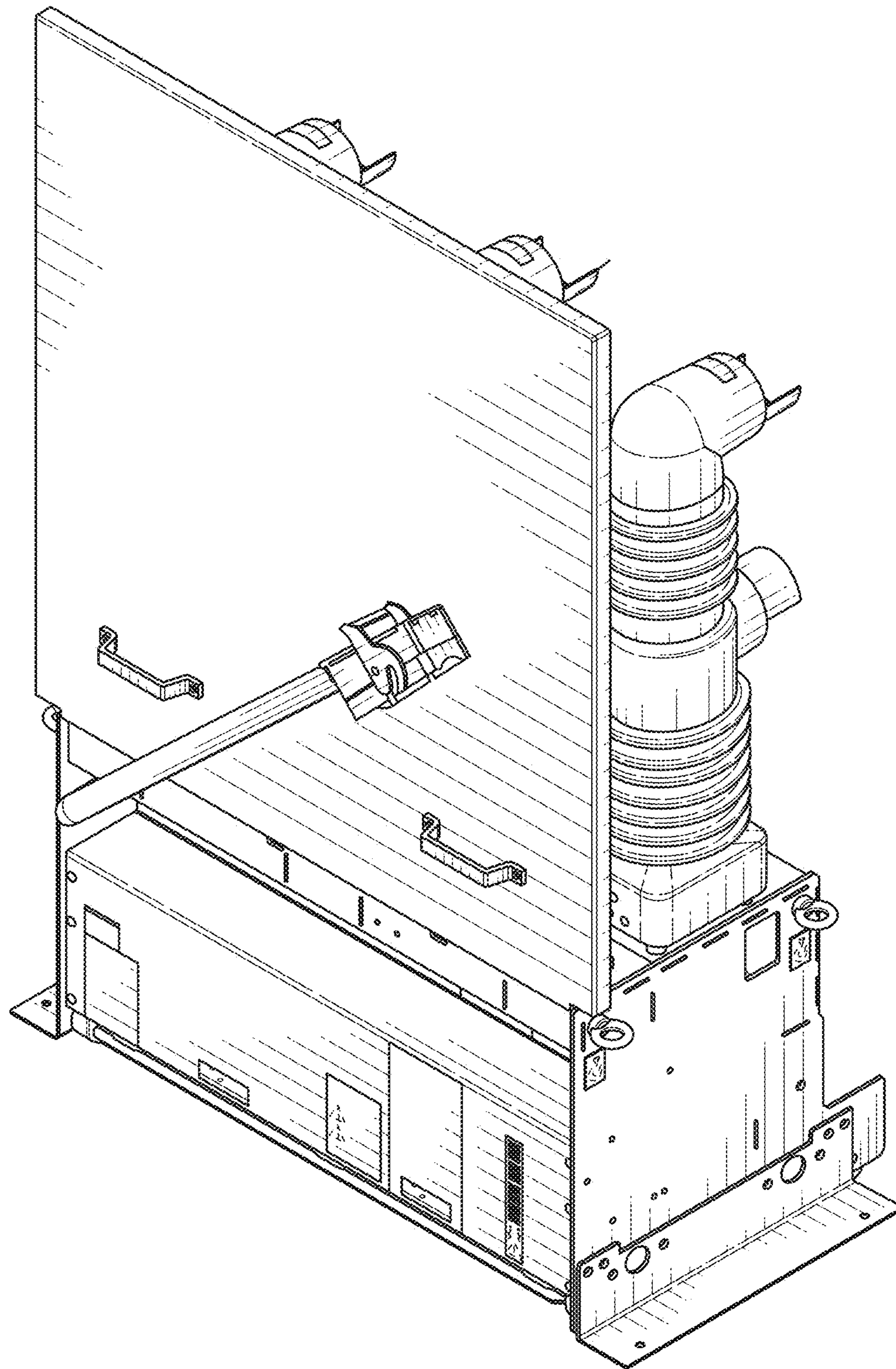


FIG. 1

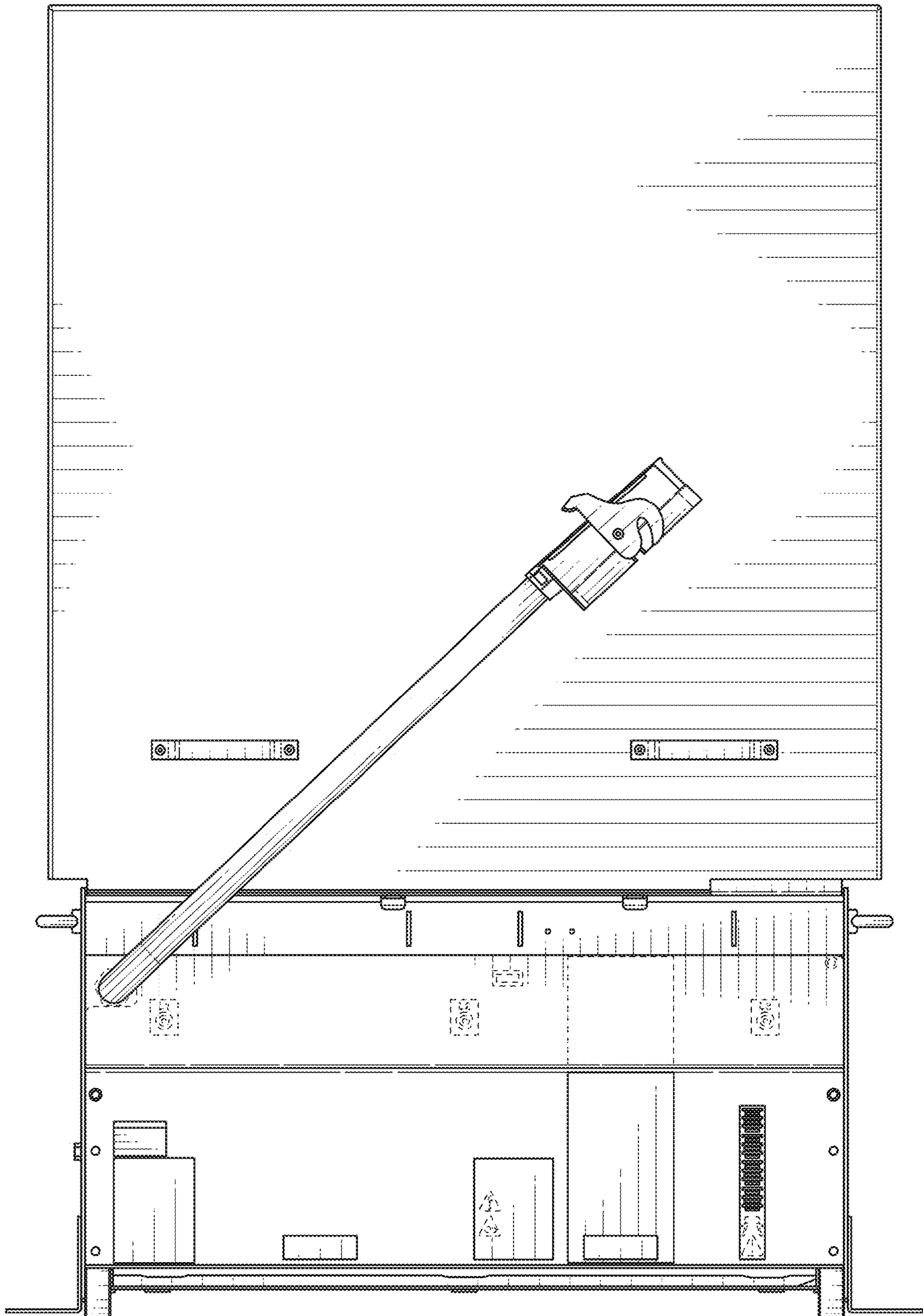


FIG. 2

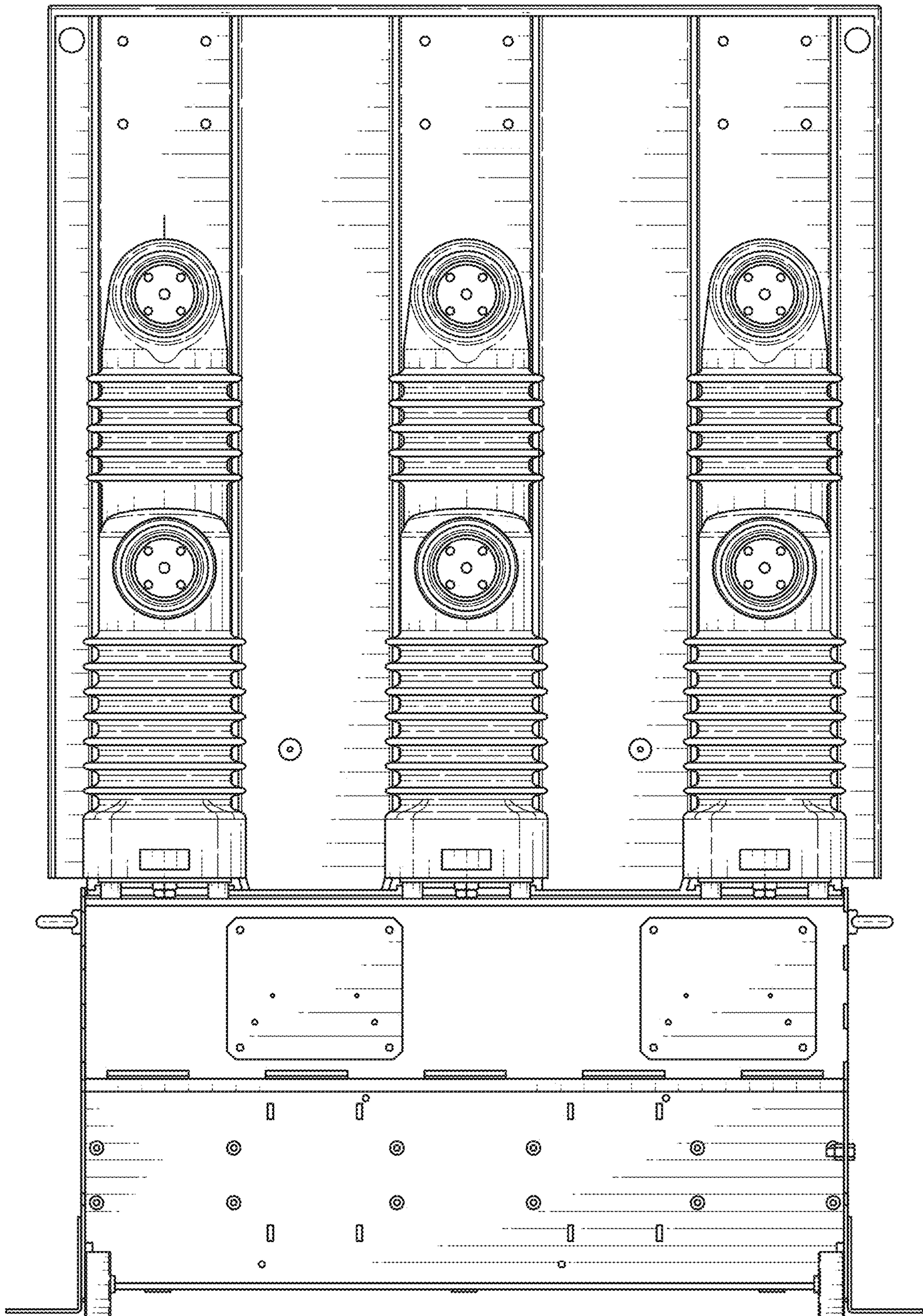


FIG. 3

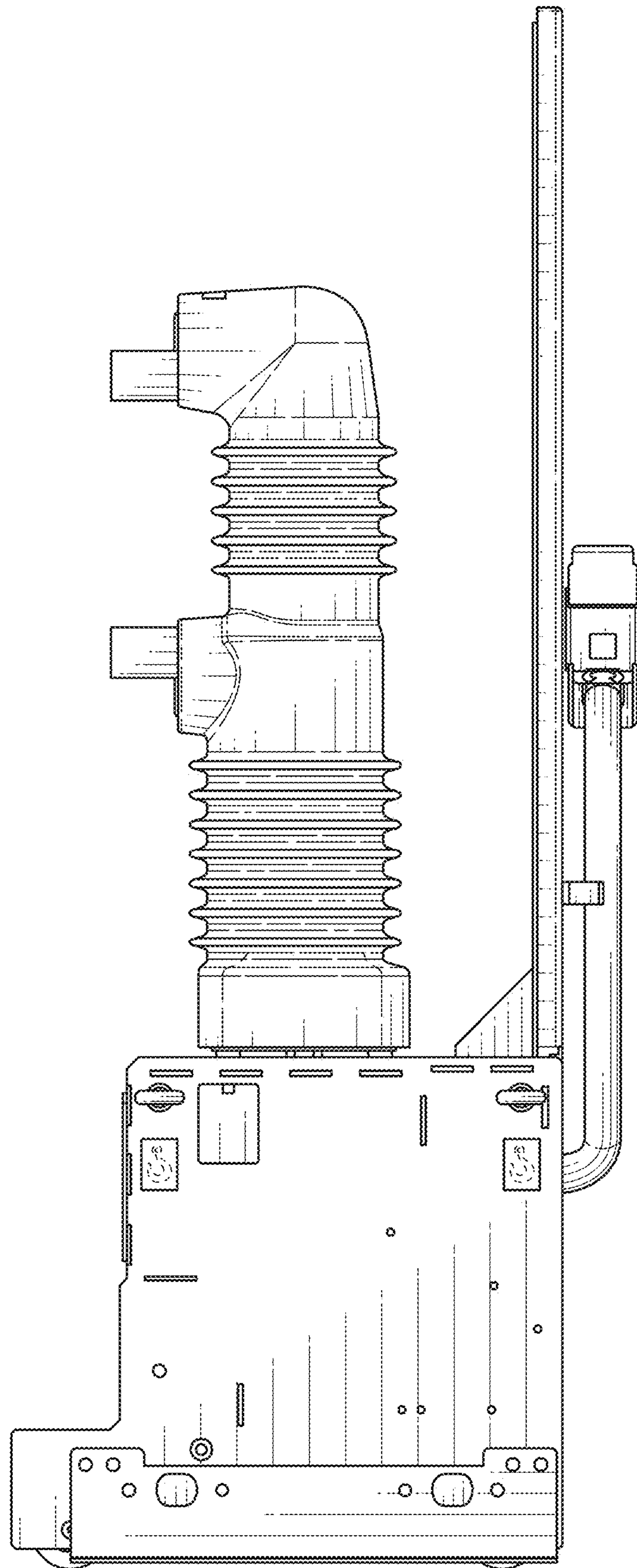


FIG. 4

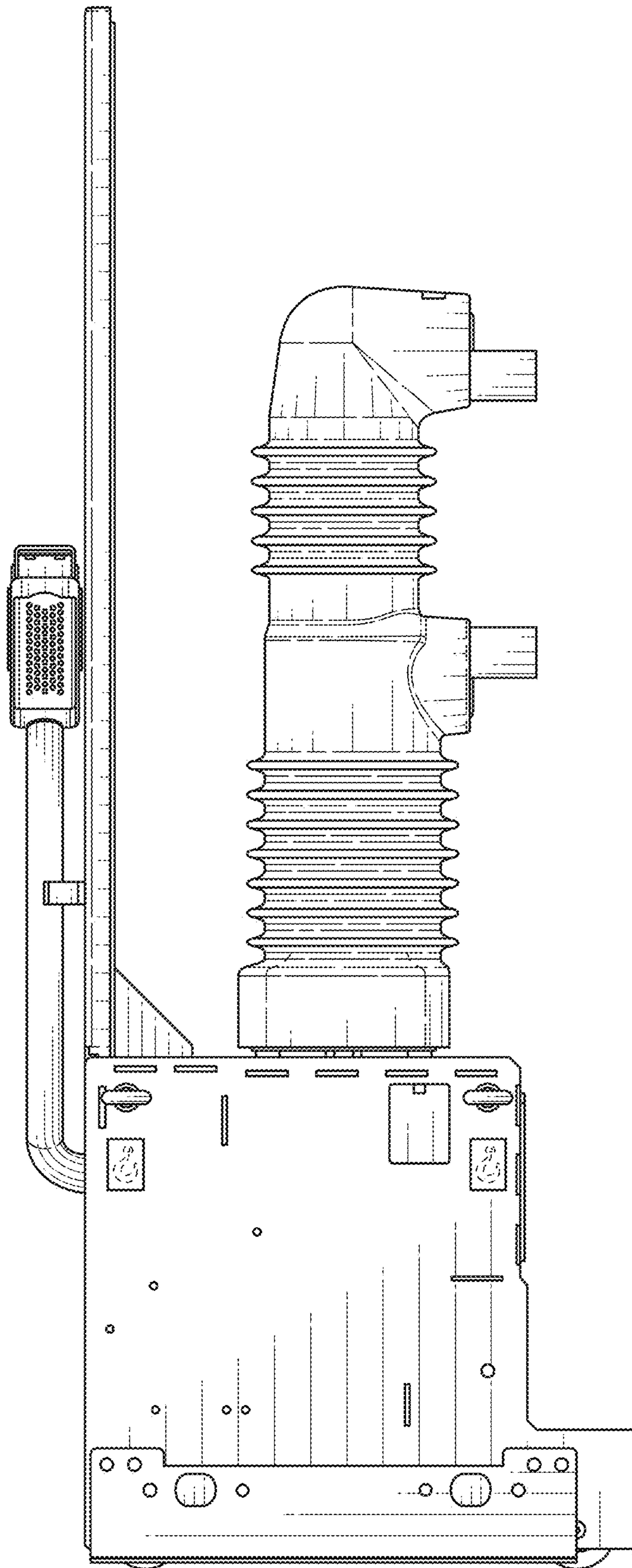


FIG. 5

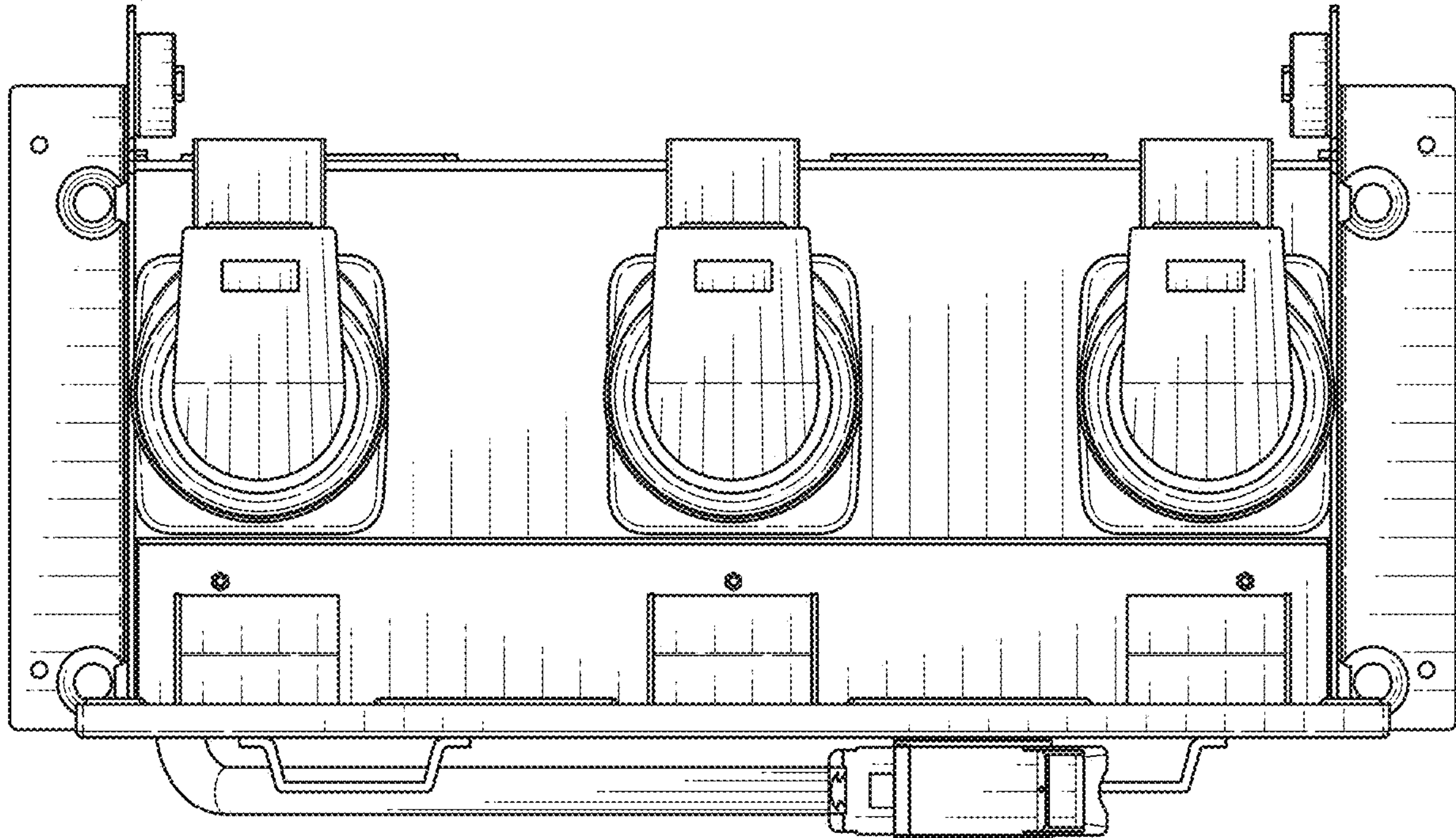


FIG. 6

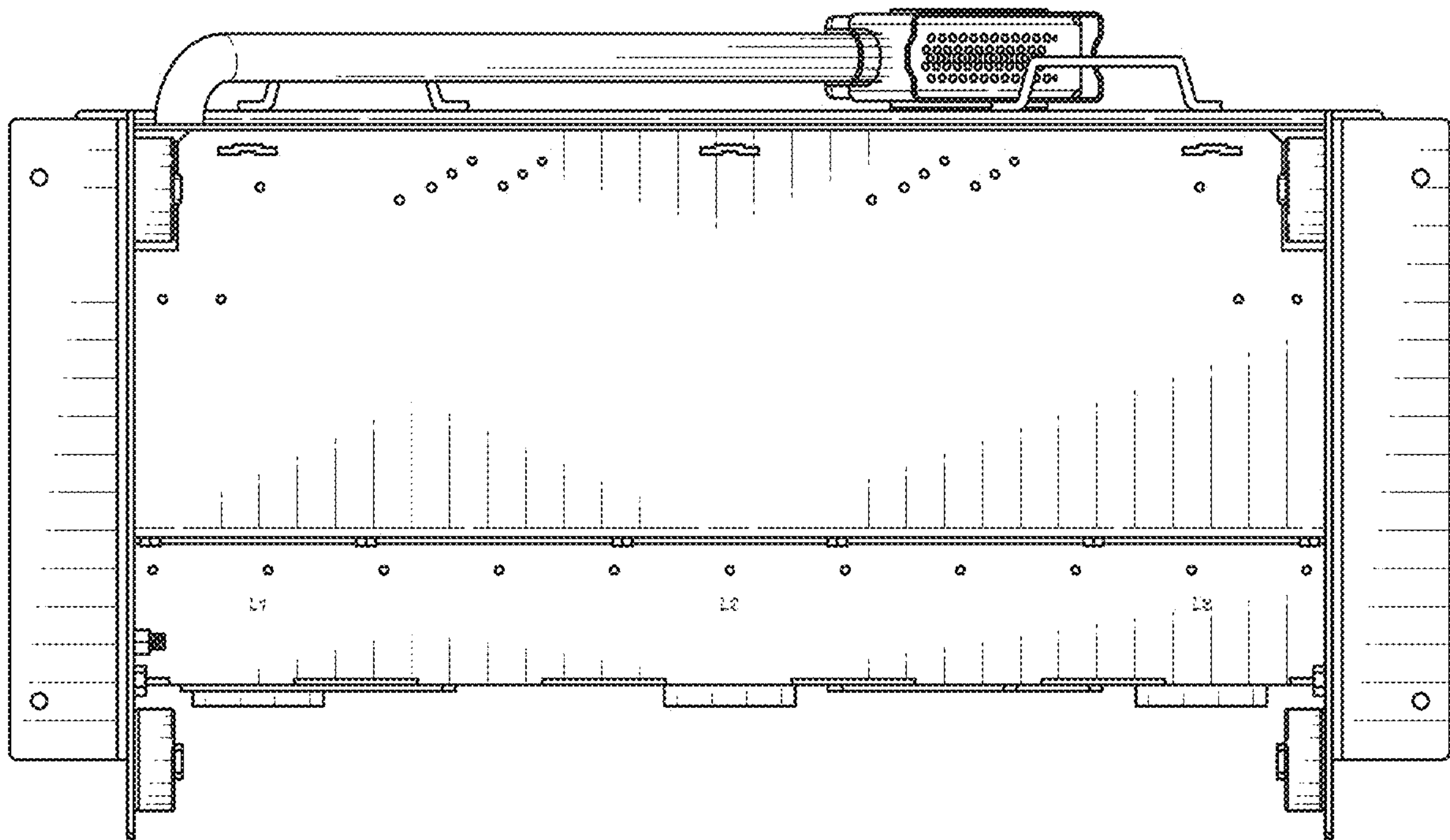


FIG. 7