



US00D886068S

(12) **United States Design Patent**  
**Zinn**

(10) **Patent No.:** **US D886,068 S**

(45) **Date of Patent:** **\*\* Jun. 2, 2020**

(54) **HOUSING FOR AN ELECTRICAL JOINT**

(71) Applicant: **Albert Gareth Zinn**, Durban (ZA)

(72) Inventor: **Albert Gareth Zinn**, Durban (ZA)

(\*\*) Term: **15 Years**

(21) Appl. No.: **29/638,609**

(22) Filed: **Feb. 28, 2018**

(30) **Foreign Application Priority Data**

Aug. 30, 2017 (ZA) ..... A2017/01396

(51) **LOC (12) Cl.** ..... **13-03**

(52) **U.S. Cl.**  
USPC ..... **D13/155**

(58) **Field of Classification Search**  
USPC ..... D8/356, 394-396; D13/155, 156,  
D13/120-121, 123, 133, 154, 158, 160,  
D13/173, 178, 184, 199; 439/723, 752,  
439/135, 149, 367  
CPC .... H02G 3/32; H01R 13/6392; H01R 13/424;  
H01R 13/426; H01R 13/4362; H01R  
13/5213

See application file for complete search history.

(56) **References Cited**

**U.S. PATENT DOCUMENTS**

D204,674 S \* 5/1966 Trimble ..... D13/133  
3,885,849 A \* 5/1975 Bailey ..... H01R 13/506  
439/320

D278,230 S \* 4/1985 Kominiak ..... D13/133  
D322,954 S \* 1/1992 Avramovich ..... D13/133  
D499,071 S \* 11/2004 Conway ..... D13/133  
D597,947 S \* 8/2009 Ono ..... D13/133  
D601,090 S \* 9/2009 Vigorito ..... D13/133  
D651,971 S \* 1/2012 Esser ..... D13/133  
D692,381 S \* 10/2013 Torma ..... D13/133  
D783,536 S \* 4/2017 Dobler ..... D13/133  
D800,661 S \* 10/2017 Sasaki ..... D13/133  
D830,310 S \* 10/2018 Applebaum ..... D13/153

\* cited by examiner

*Primary Examiner* — Derrick E Holland

*Assistant Examiner* — Jennifer O King

(74) *Attorney, Agent, or Firm* — Jason P. Mueller;  
FisherBroyles, LLP

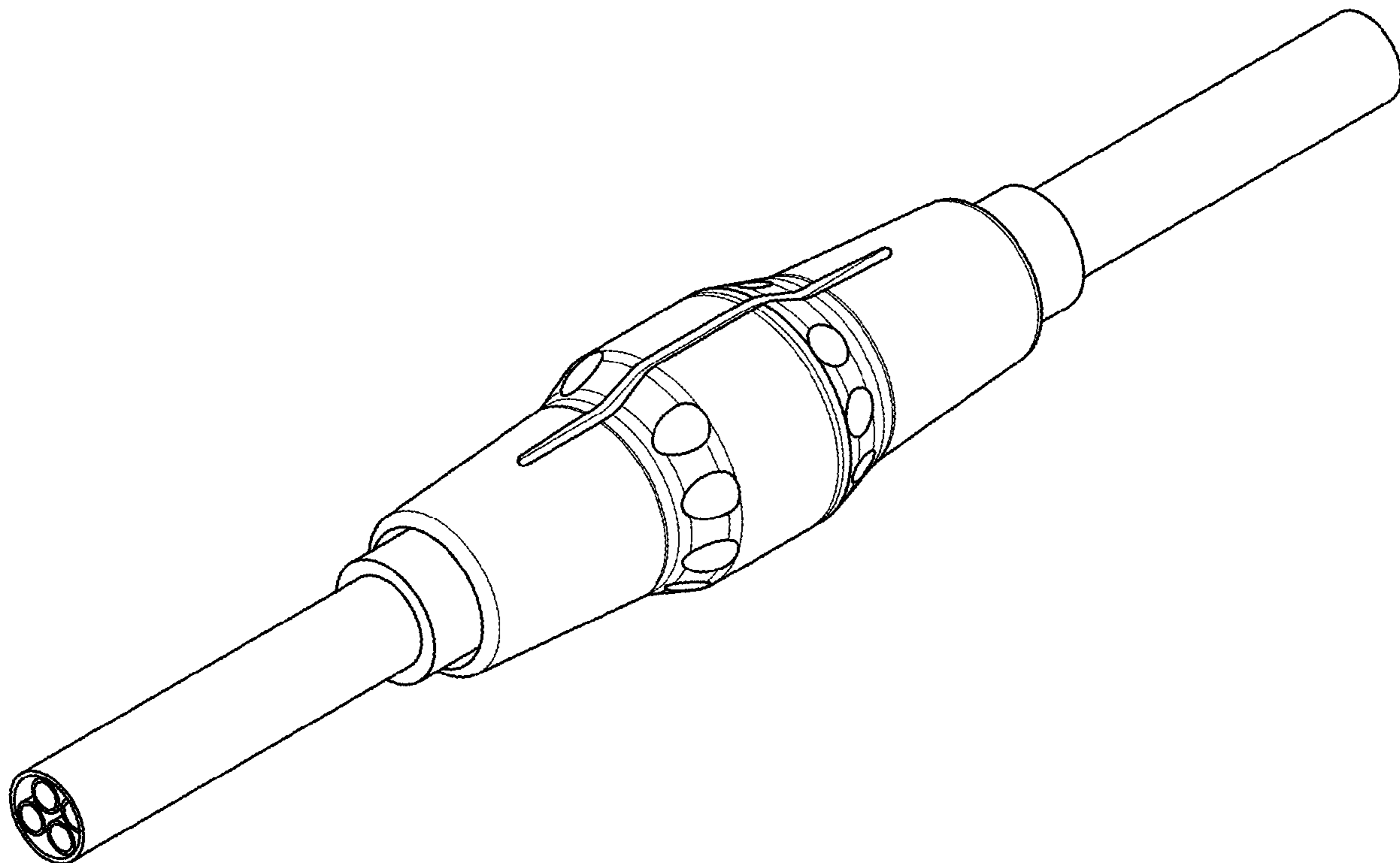
(57) **CLAIM**

The ornamental design for a housing for an electrical joint,  
as shown and described.

**DESCRIPTION**

FIG. 1 is a perspective front view of a housing for an  
electrical joint, showing our new design;  
FIG. 2 is a side view thereof; and,  
FIG. 3 is a top view thereof.

**1 Claim, 2 Drawing Sheets**



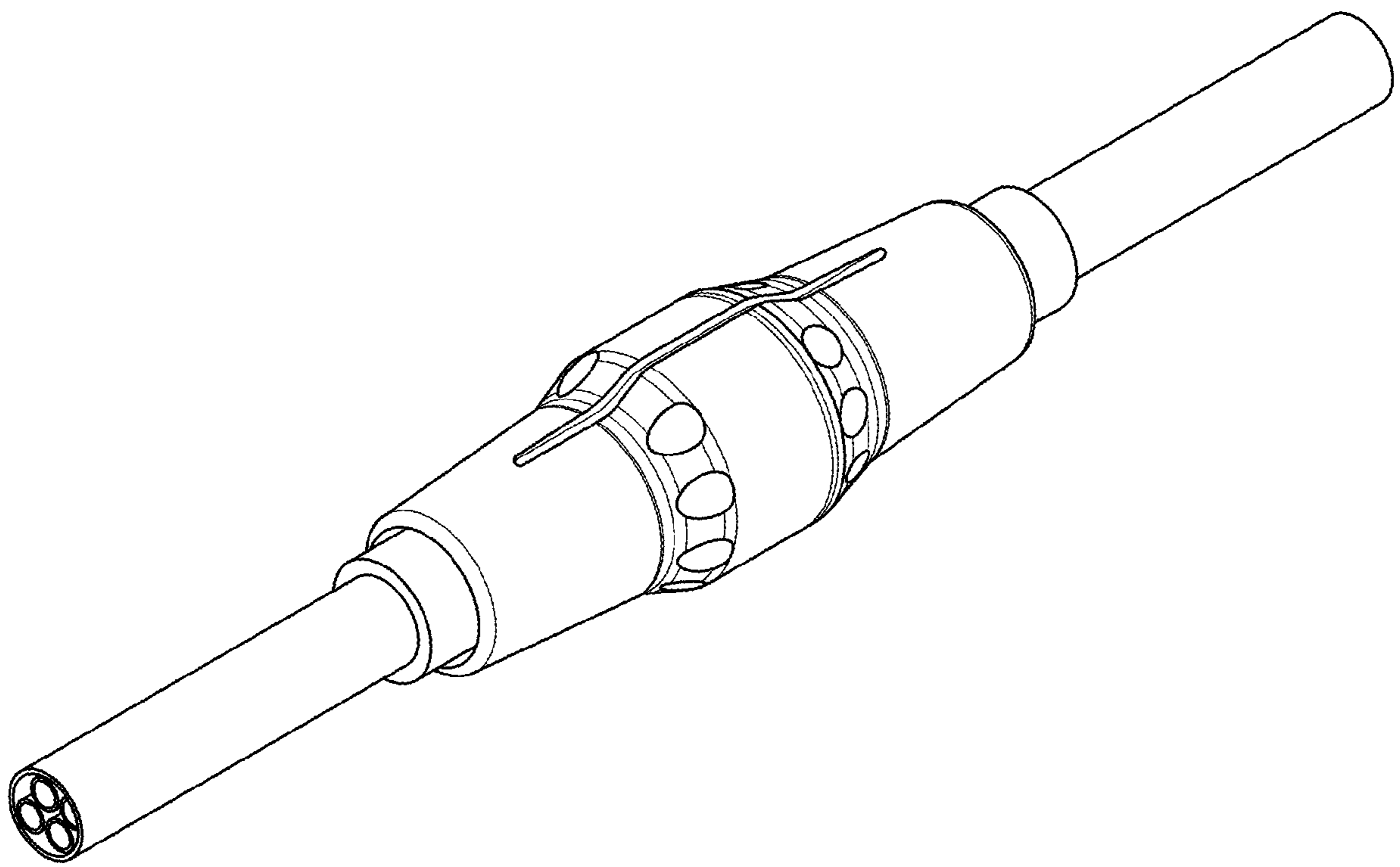


FIG. 1

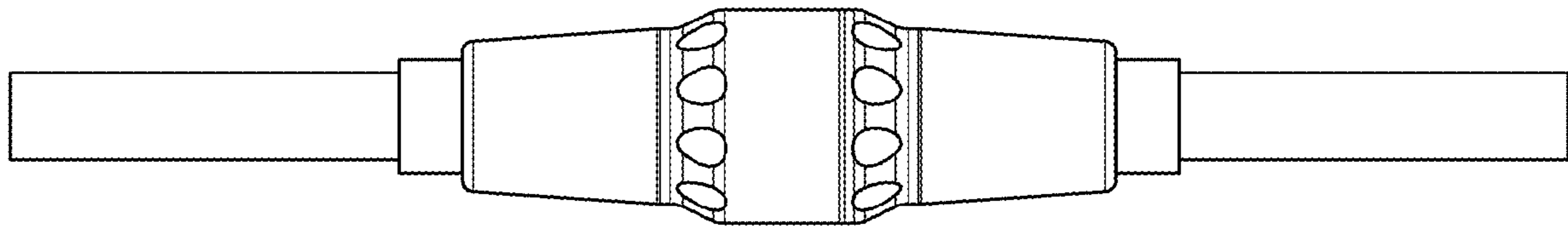


FIG. 2

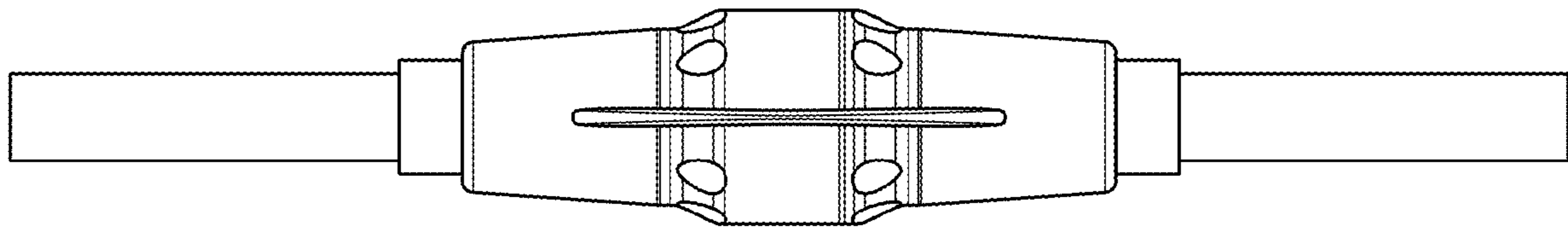


FIG. 3