



US00D886066S

(12) **United States Design Patent**
Williams Barnett et al.

(10) **Patent No.:** **US D886,066 S**
(45) **Date of Patent:** **** Jun. 2, 2020**

(54) **SECUREMENT MEMBER OF ELECTRICAL CONNECTOR**

Assistant Examiner — Shawn T Gingrich
(74) *Attorney, Agent, or Firm* — BakerHostetler

(71) Applicant: **Samtec, Inc.**, New Albany, IN (US)

(57) **CLAIM**

(72) Inventors: **Jean Karlo Williams Barnett**, New Albany, IN (US); **Jignesh H. Shah**, Santa Clara, CA (US); **Eric Zbinden**, Santa Clara, CA (US)

The ornamental design for a securement member of electrical connector, as shown and described.

(73) Assignee: **SAMTEC, INC.**, New Albany, IN (US)

DESCRIPTION

(**) Term: **15 Years**

(21) Appl. No.: **29/628,702**

(22) Filed: **Dec. 6, 2017**

(51) **LOC (12) Cl.** **13-03**

(52) **U.S. Cl.**
USPC **D13/154**

(58) **Field of Classification Search**
USPC D13/133, 146, 147, 154, 184, 199
CPC H01R 9/075; H01R 9/16; H01R 12/616;
H01R 13/05; H01R 13/193; H01R 13/2464; H01R 13/2478; H01R 13/2485;
H01R

FIG. 1 is a top, left, front perspective view of a securement member of electrical connector according to one embodiment of our design, the securement member configured to secure the electrical connector to an underlying substrate; FIG. 2 is a bottom, right, rear perspective view of thereof; FIG. 3 is a bottom, left, front perspective view of thereof; FIG. 4 is a top, left, rear perspective view of thereof; FIG. 5 is a right side elevation view thereof; FIG. 6 is a left side elevation view thereof; FIG. 7 is a top plan view thereof; FIG. 8 is a bottom plan view thereof; FIG. 9 is a rear elevation view thereof; FIG. 10 is a front elevation view thereof; FIG. 11 is a top, right, front perspective view of a securement member of electrical connector according to one embodiment of our design, the securement member configured to secure the electrical connector to an underlying substrate; FIG. 12 is a bottom, left, rear perspective view of thereof; FIG. 13 is a bottom, right, front perspective view of thereof; FIG. 14 is a top, right, rear perspective view of thereof; FIG. 15 is a left side elevation view thereof; FIG. 16 is a right side elevation view thereof; FIG. 17 is a top plan view thereof; FIG. 18 is a bottom plan view thereof; FIG. 19 is a rear elevation view thereof; and, FIG. 20 is a front elevation view thereof.

In a preferred embodiment, the nature of this product is a securement member of electrical connector for securing the electrical connector to an underlying substrate.

(Continued)

(56) **References Cited**

U.S. PATENT DOCUMENTS

2,760,174 A 8/1956 Burt et al.
4,544,225 A 10/1985 Raus et al.

(Continued)

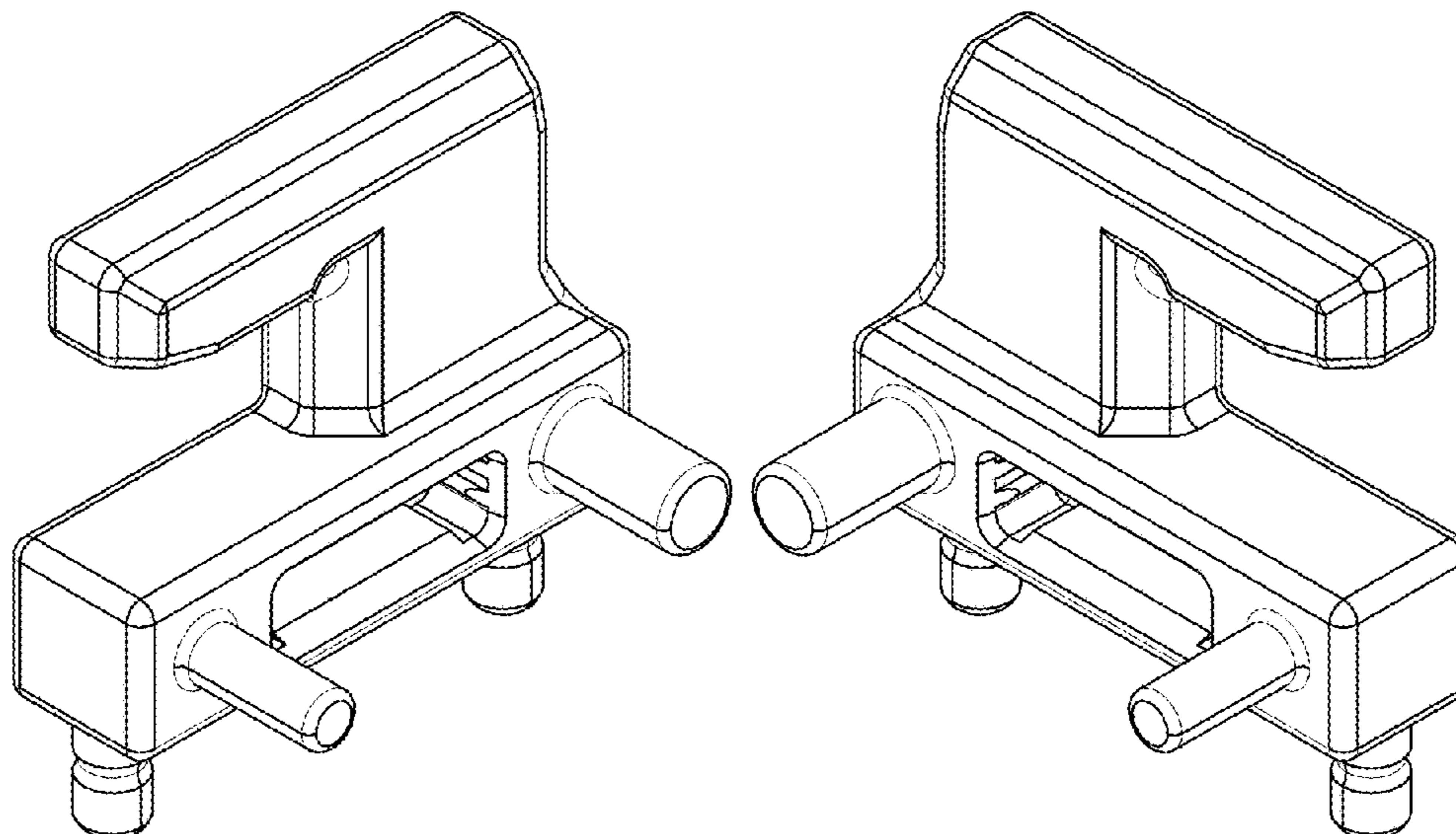
FOREIGN PATENT DOCUMENTS

CN 104810683 A 7/2015
JP 2002-093495 A 3/2002

(Continued)

Primary Examiner — Angela J Lee

1 Claim, 8 Drawing Sheets



- (58) **Field of Classification Search**
 CPC 13/2492; H01R 13/6271; H01R 13/6275;
 H01R 13/6335; H01R 13/642; H01R
 13/659
 See application file for complete search history.

(56) **References Cited**

U.S. PATENT DOCUMENTS

5,167,523 A 12/1992 Crimmins et al.
 5,396,402 A 3/1995 Perugini et al.
 5,507,657 A * 4/1996 Seto H01R 43/205
 439/135
 5,722,849 A 3/1998 Alwine
 5,775,957 A 7/1998 Fink et al.
 7,329,054 B1 2/2008 Epitoux et al.
 7,479,017 B1 * 1/2009 Koopman H01R 13/6658
 439/67
 D589,901 S 4/2009 Peng et al.
 7,648,287 B2 1/2010 Epitoux et al.
 7,766,559 B2 8/2010 Epitoux et al.
 7,824,112 B2 11/2010 Epitoux et al.
 D697,031 S 1/2014 Yoshisuji
 D708,145 S * 7/2014 McCartin D13/147
 D708,580 S 7/2014 McCartin et al.
 D721,332 S 1/2015 Yokoo
 D722,968 S 2/2015 Takemoto
 D729,173 S 5/2015 Fukumoto
 D736,714 S * 8/2015 Mongold D13/147

9,374,165 B2 6/2016 Zbinden et al.
 D800,070 S 10/2017 Manba
 D820,216 S * 6/2018 Wu D13/147
 D822,611 S * 7/2018 Bettman D13/147
 D860,140 S * 9/2019 Wu D13/154
 2002/0052131 A1 5/2002 Hashimoto
 2007/0218759 A1 9/2007 Liang et al.
 2008/0222351 A1 9/2008 Verdiell et al.
 2009/0305528 A1 12/2009 Hirata et al.
 2010/0120268 A1 5/2010 Yeh
 2010/0130044 A1 5/2010 Taketomi
 2011/0123150 A1 5/2011 Zbinden et al.
 2011/0123151 A1 5/2011 Zbinden et al.
 2012/0289066 A1 11/2012 Wang et al.
 2013/0148973 A1 6/2013 Zbinden et al.
 2013/0344710 A1 12/2013 Sasaki et al.
 2014/0082977 A1 * 3/2014 Pilon E02F 9/2833
 37/453
 2014/0161407 A1 * 6/2014 Lee G02B 6/3825
 385/134
 2015/0357734 A1 12/2015 Copper et al.
 2016/0079692 A1 3/2016 Sasame et al.
 2017/0062963 A1 3/2017 Tagami et al.
 2017/0174167 A1 * 6/2017 Collazo Gomez B60Q 5/003

FOREIGN PATENT DOCUMENTS

TW D164746 12/2014
 TW D183201 8/2016

* cited by examiner

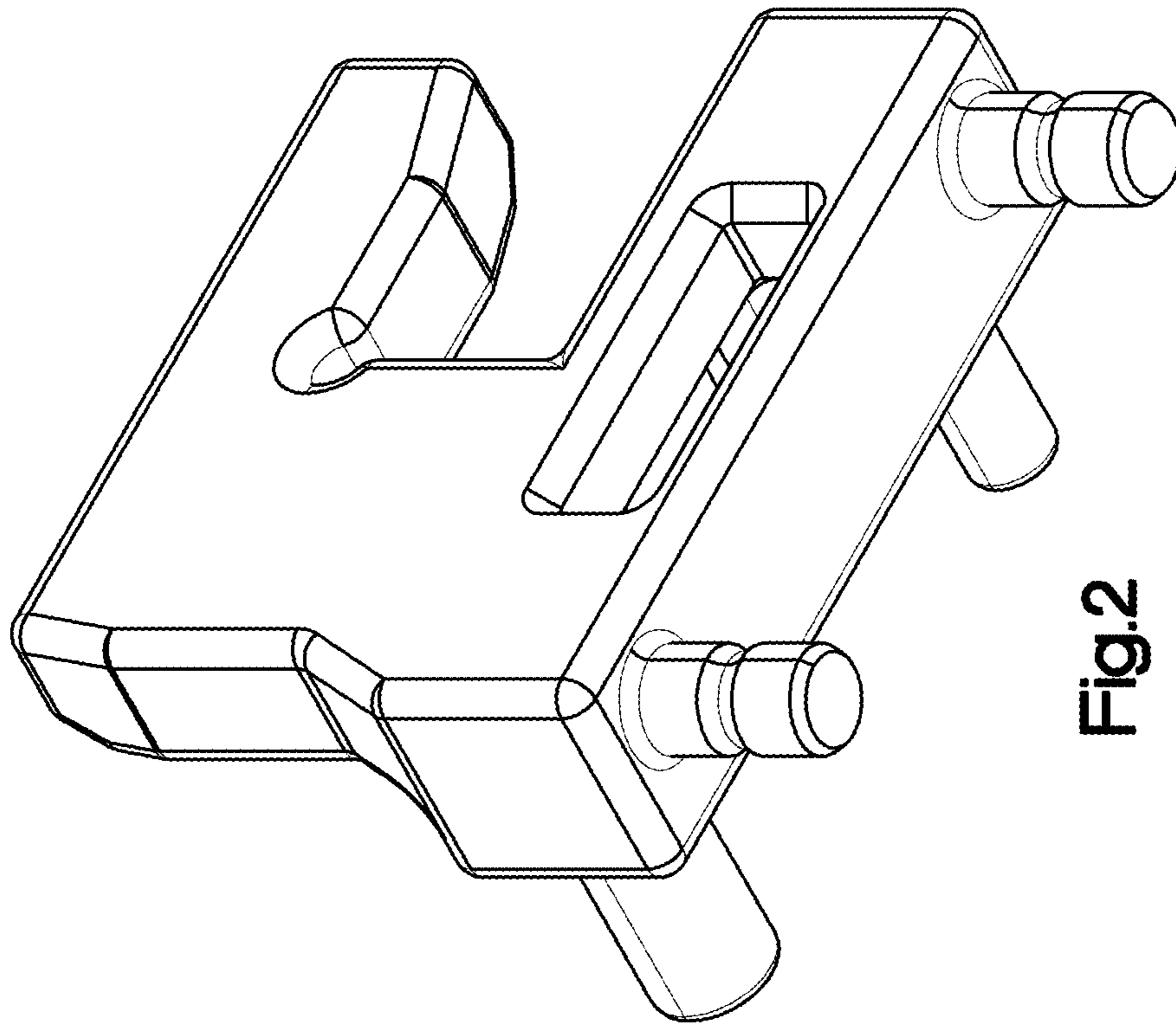


Fig.2

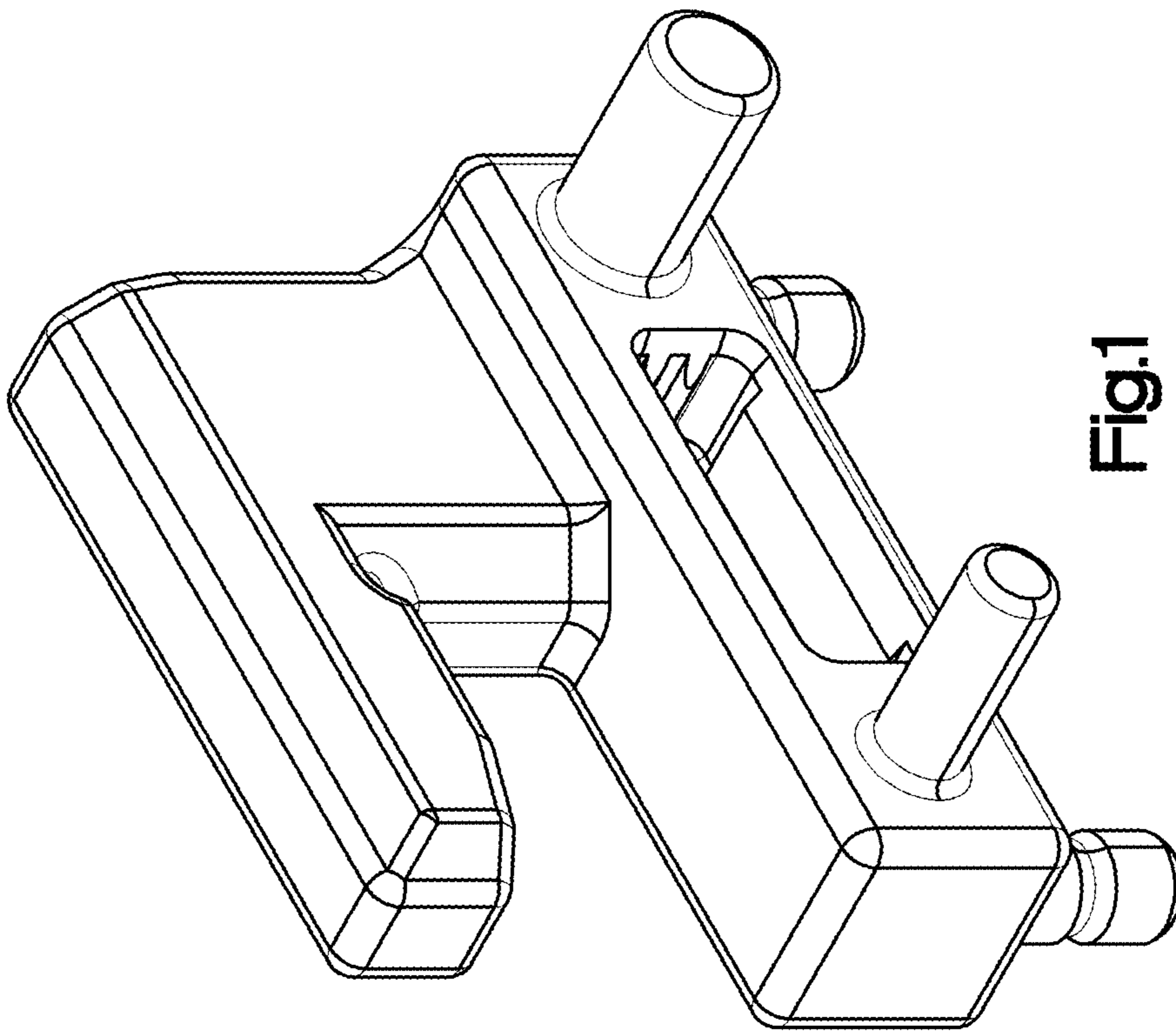


Fig.1

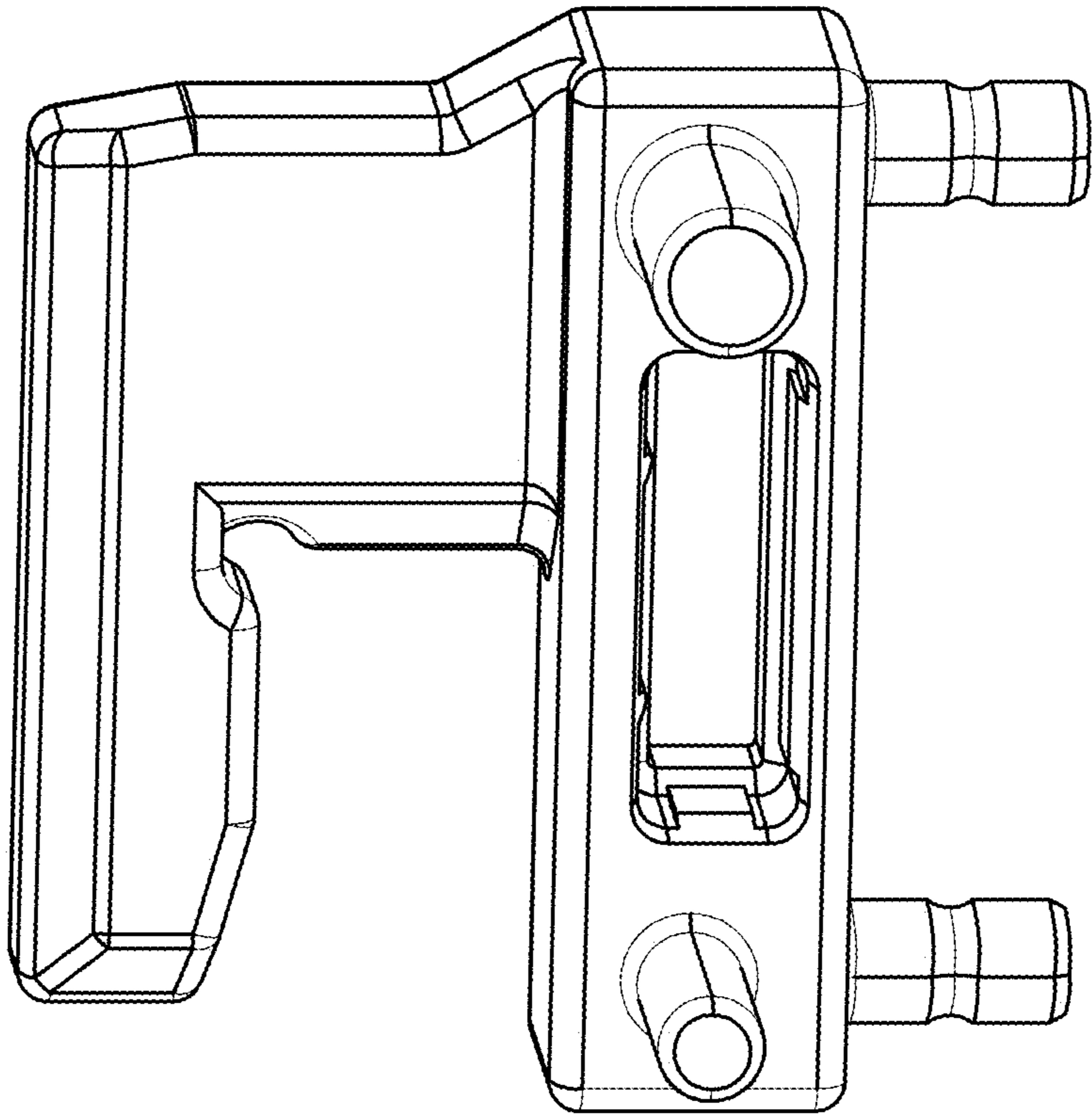


Fig.4

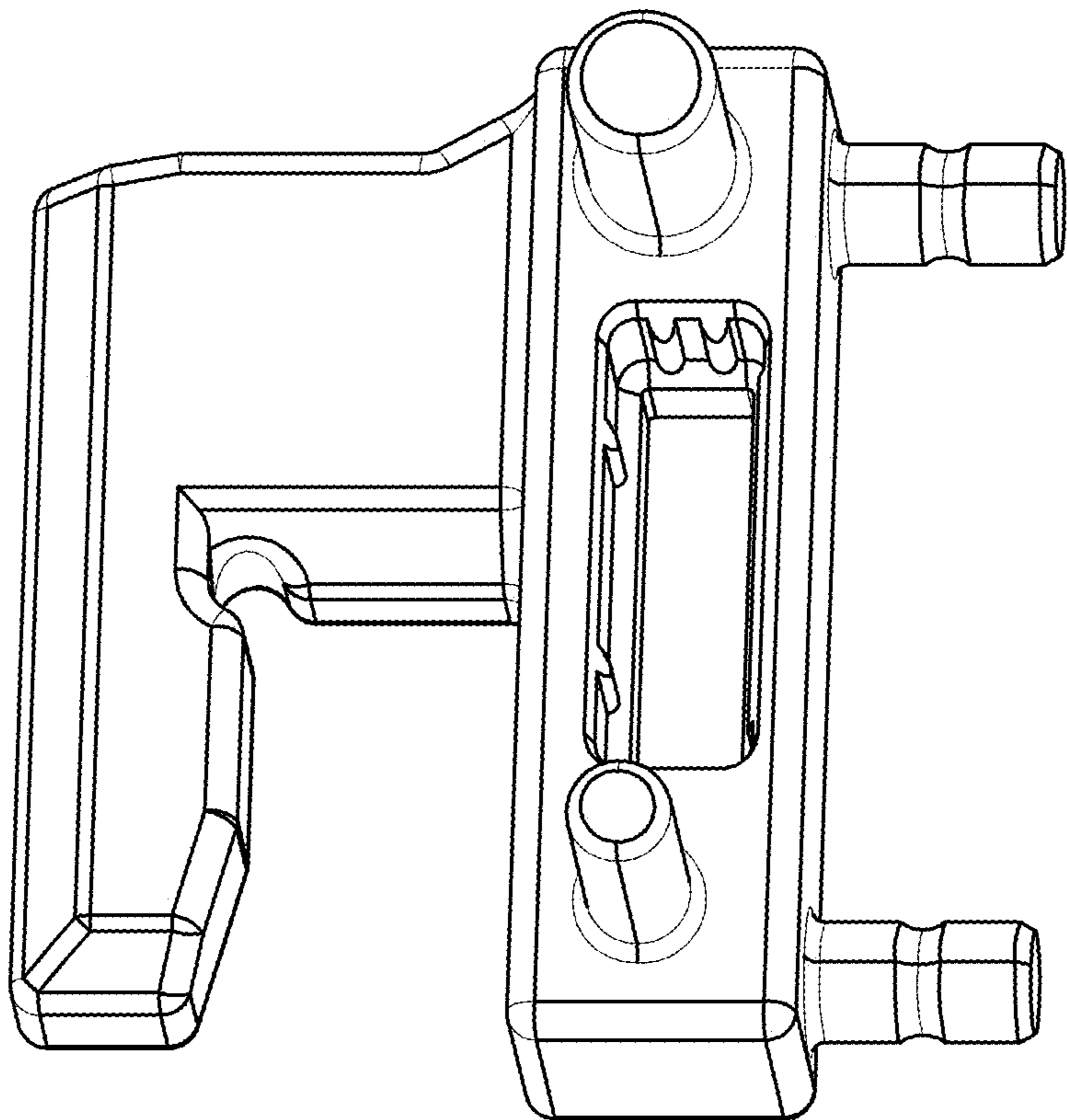


Fig.3

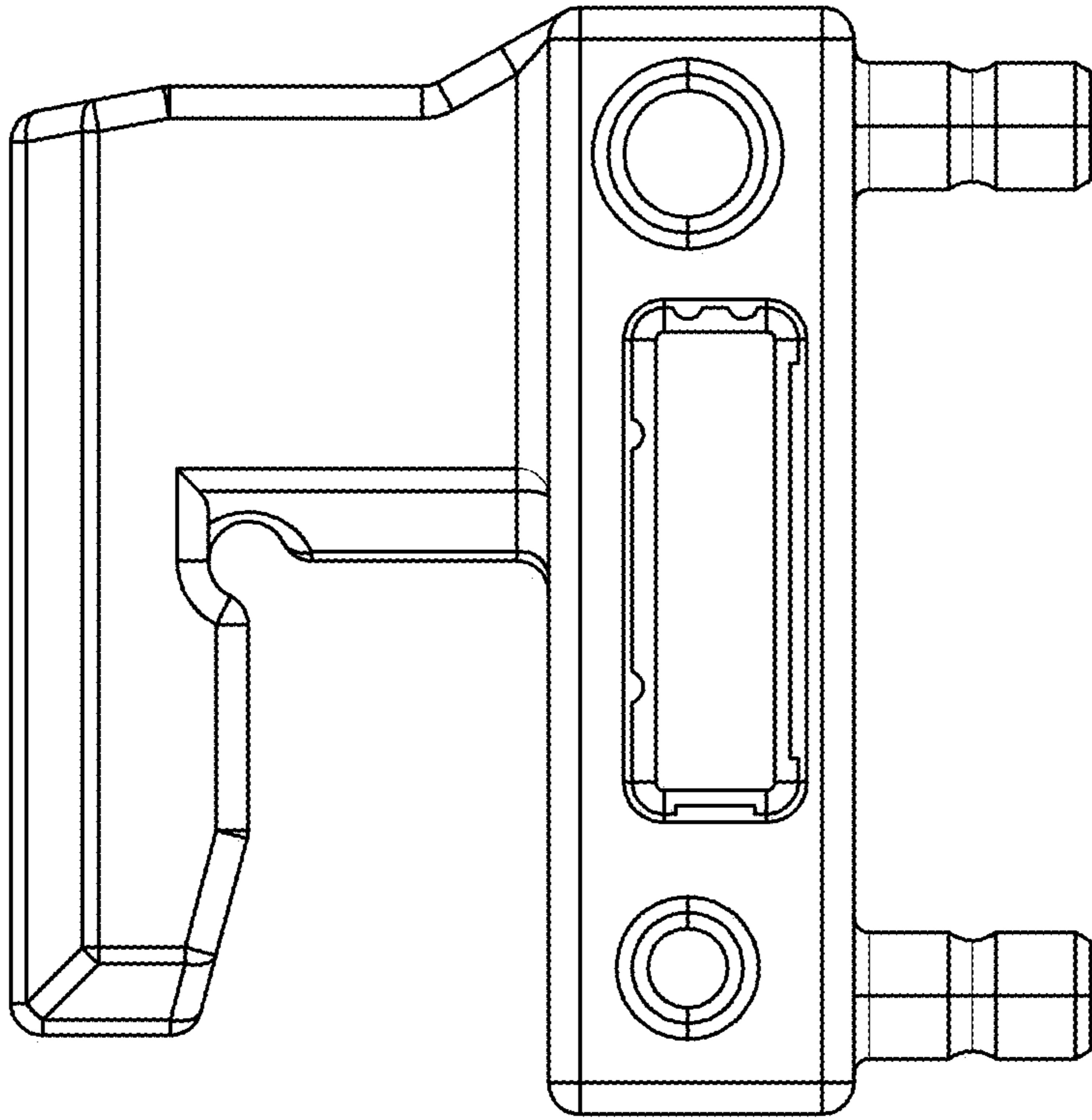


Fig.6

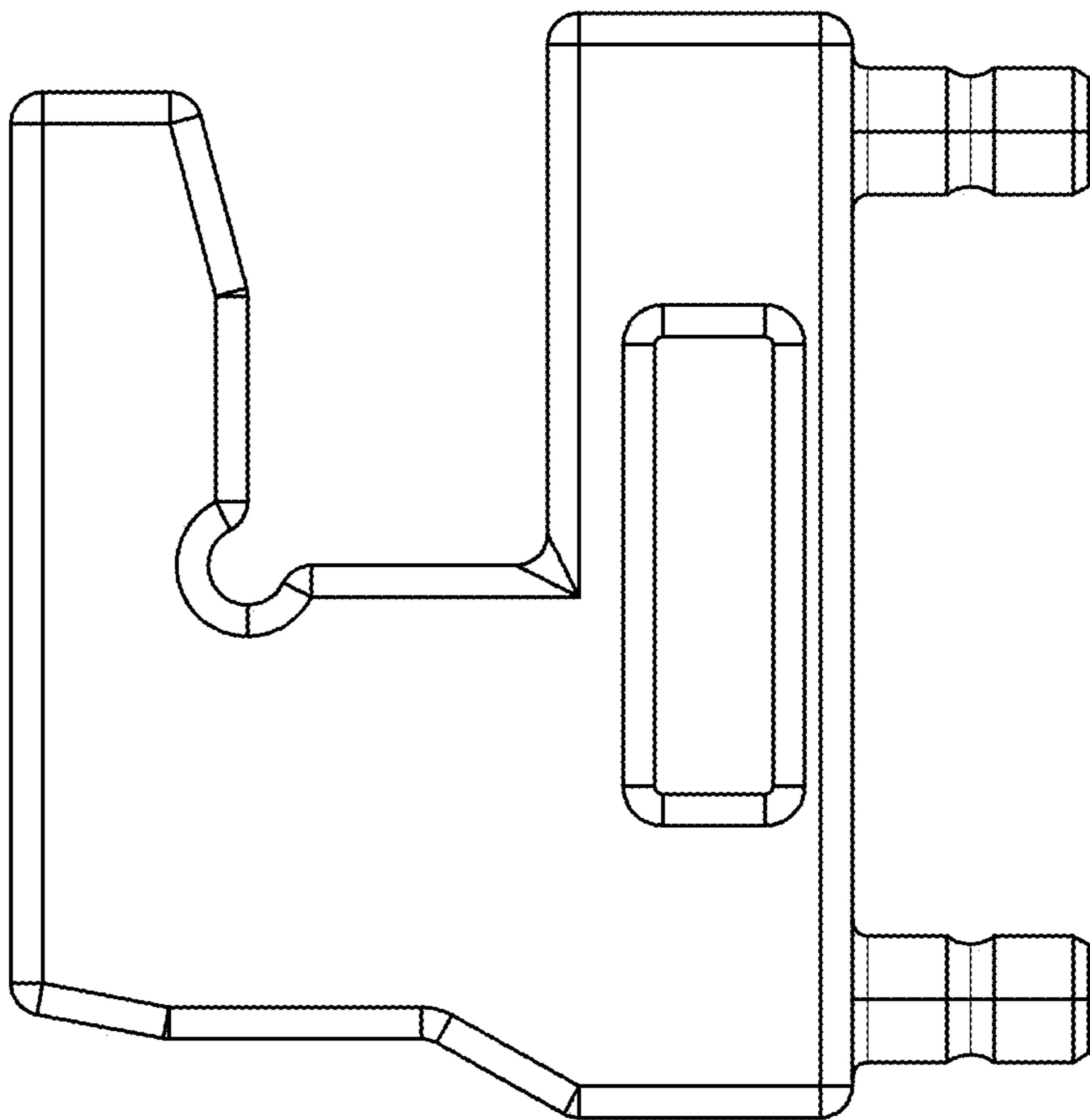


Fig.5

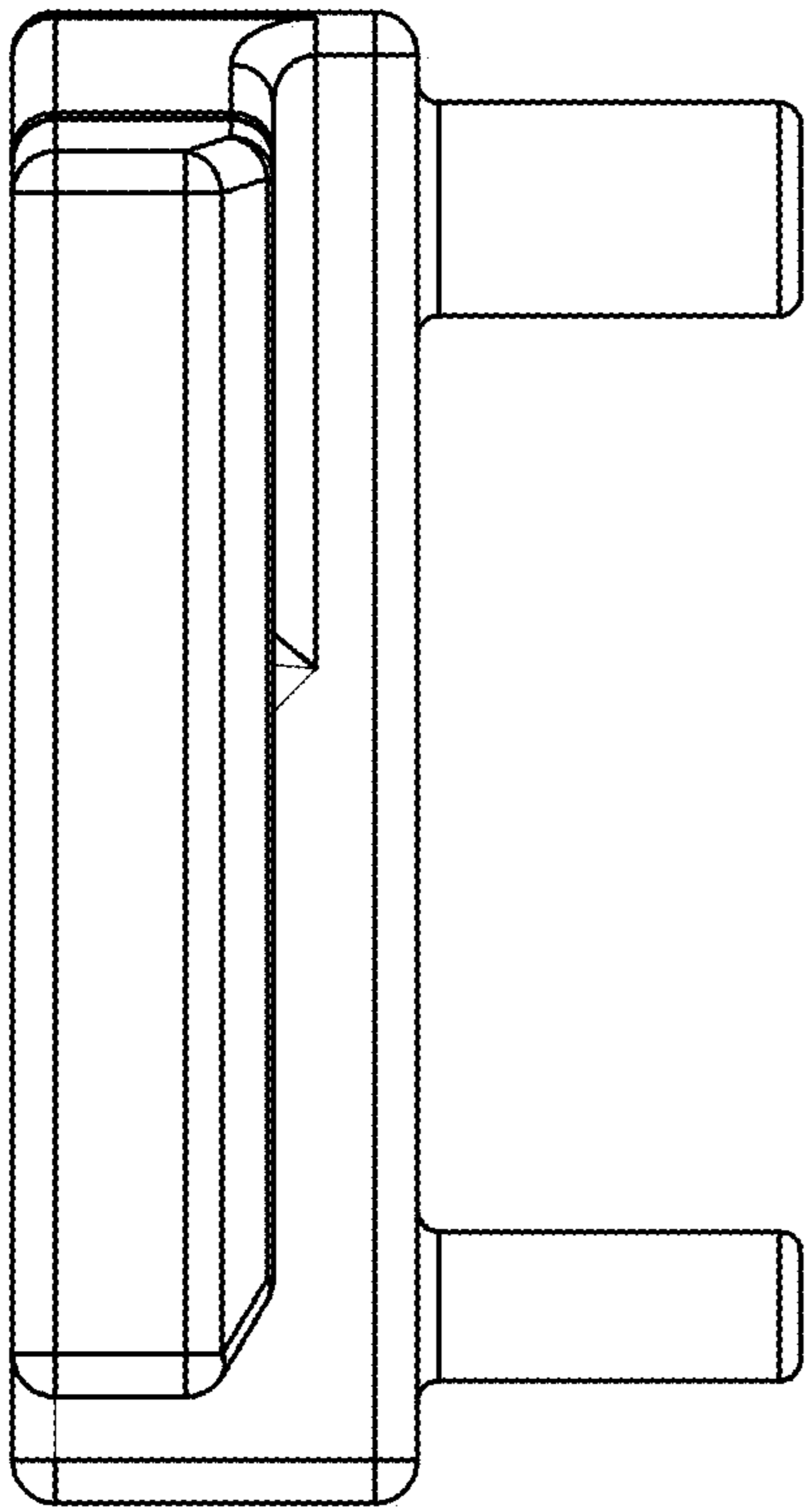


Fig.7

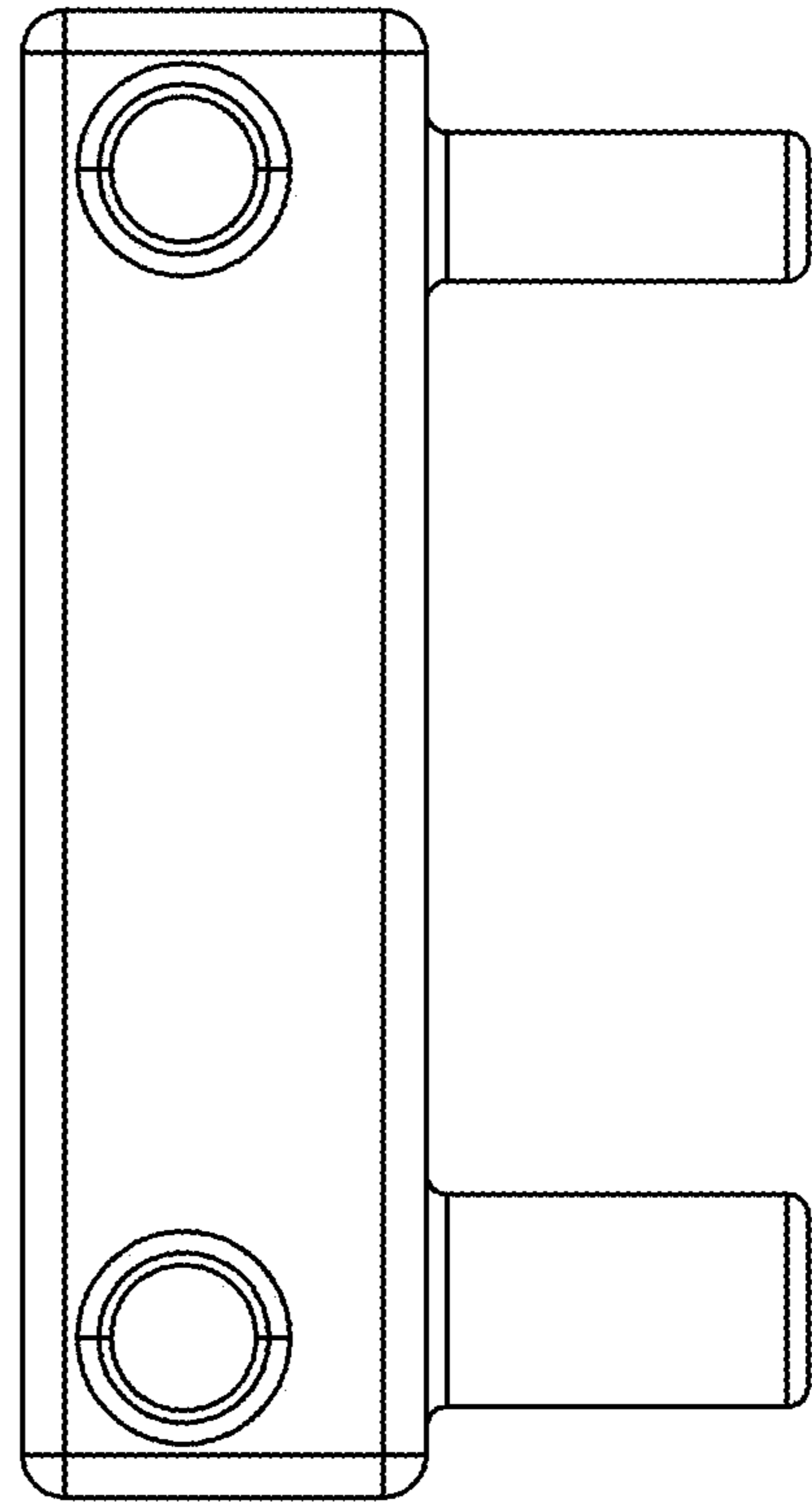


Fig.8

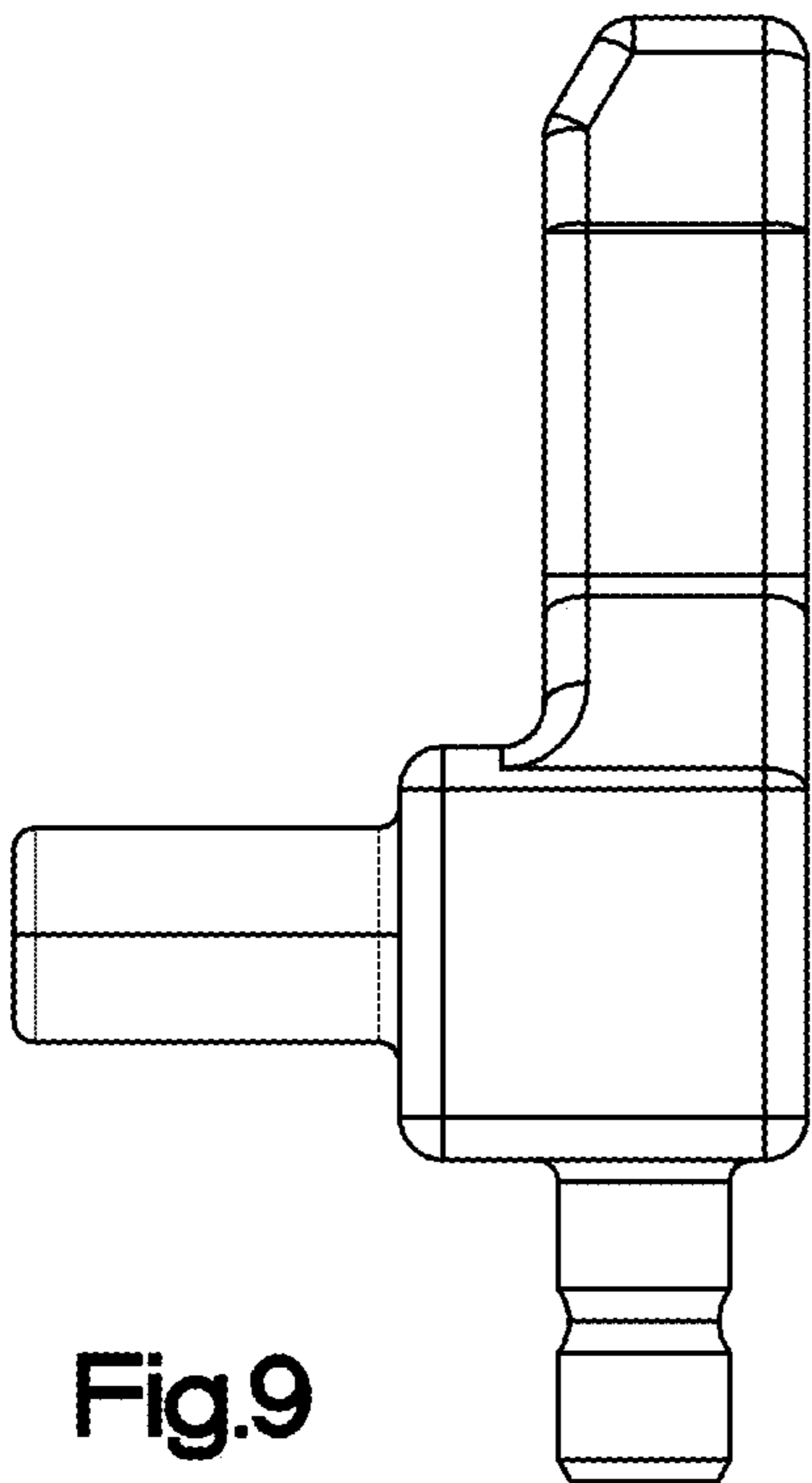


Fig.9

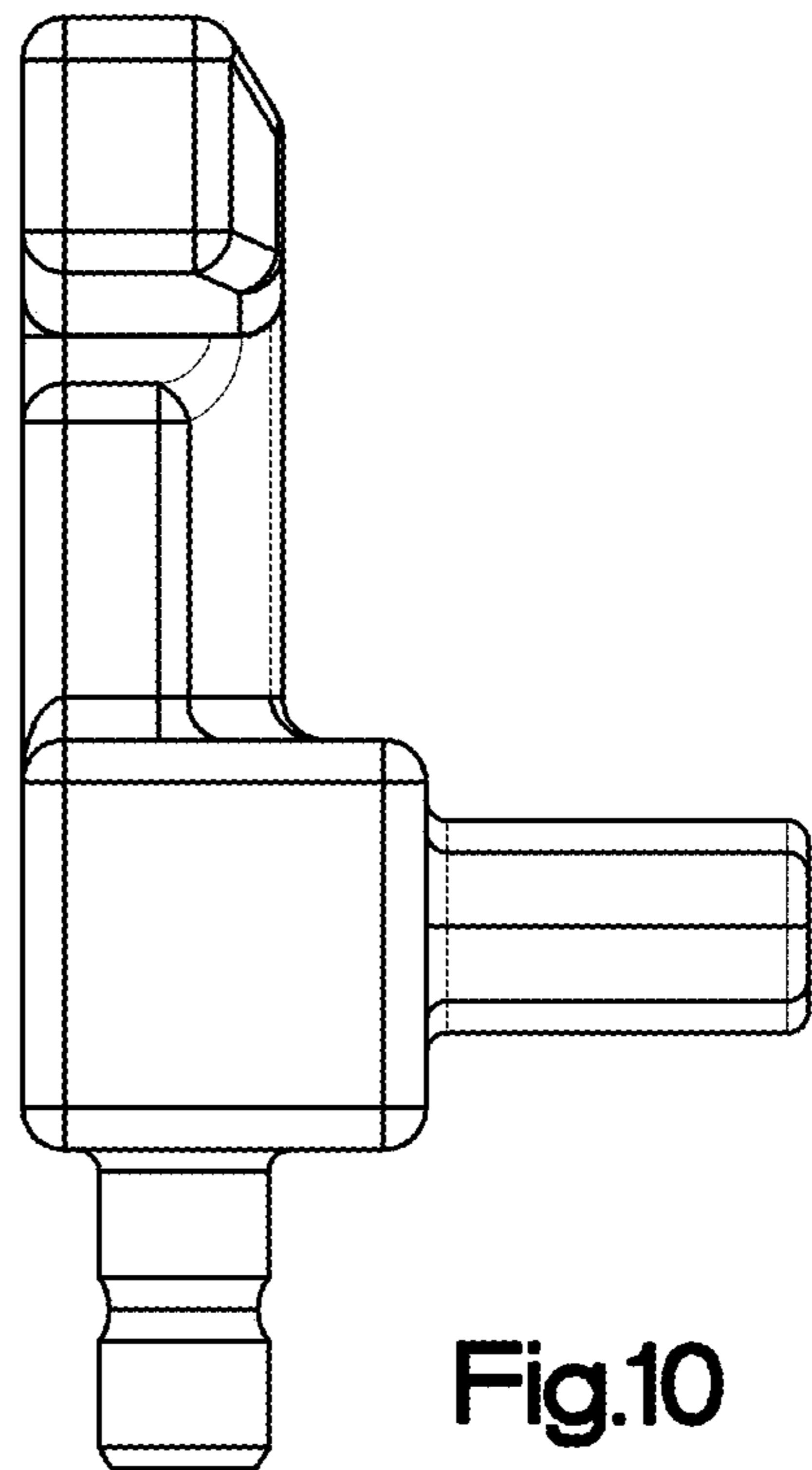


Fig.10

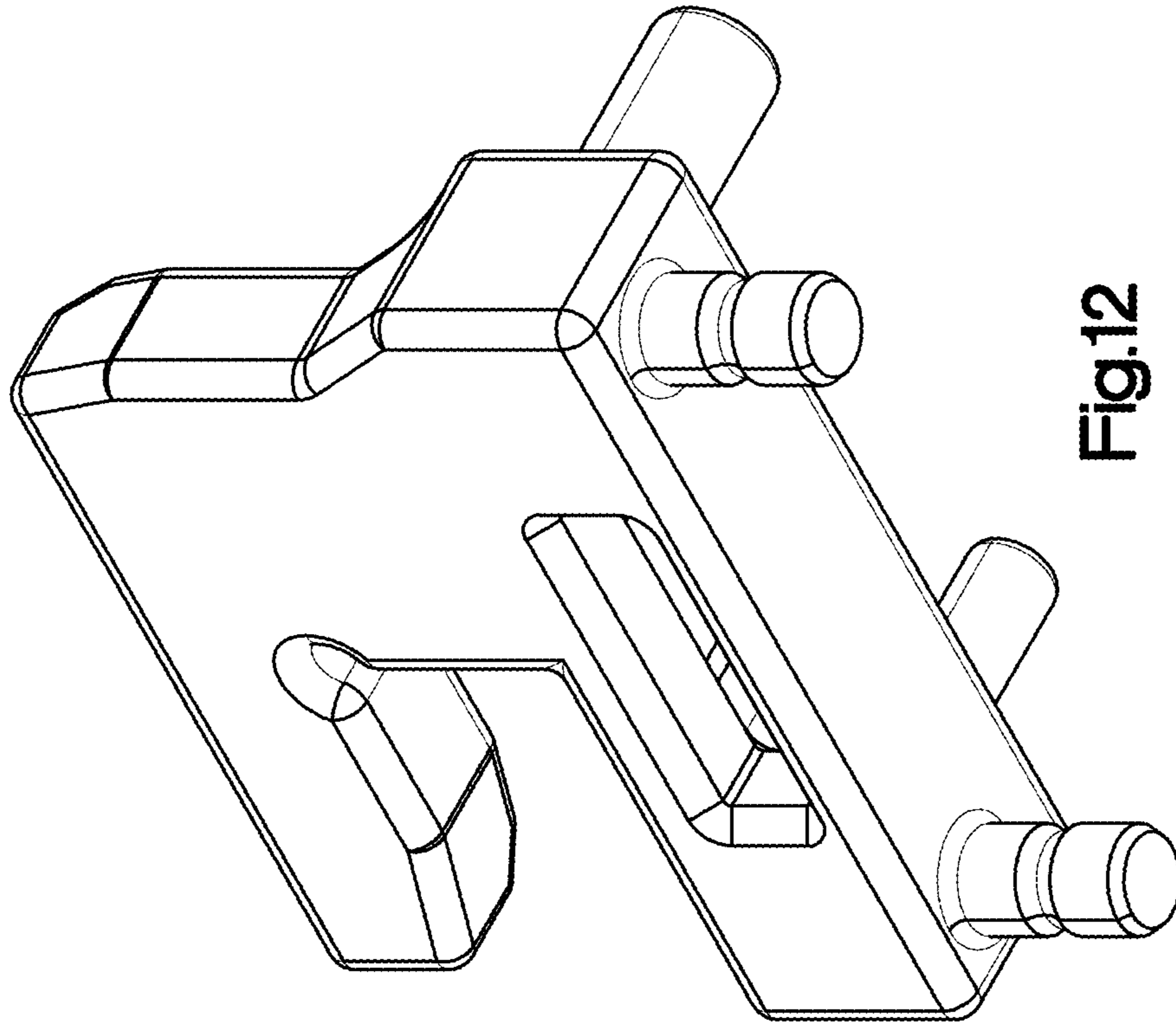


Fig.12

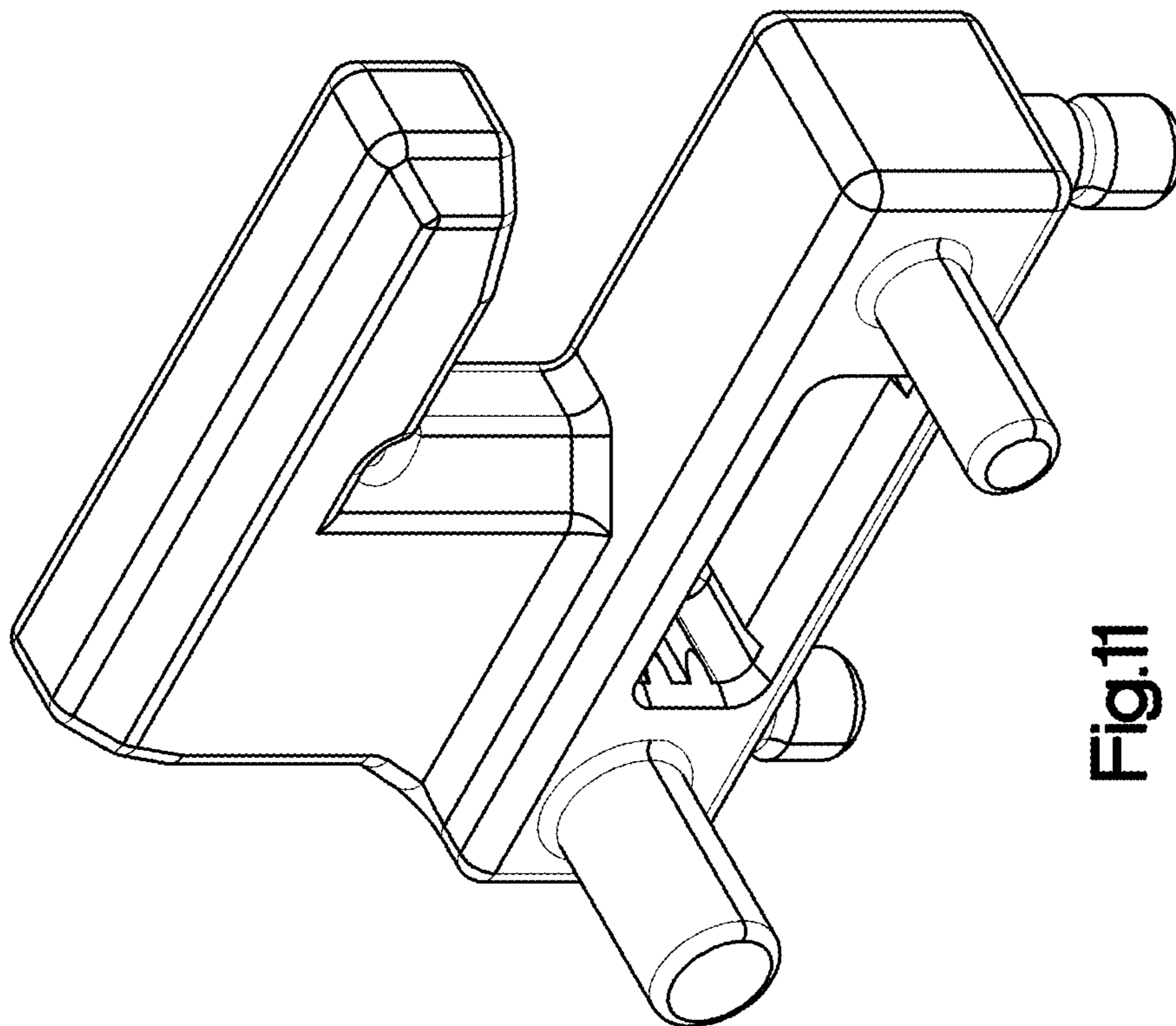


Fig.11

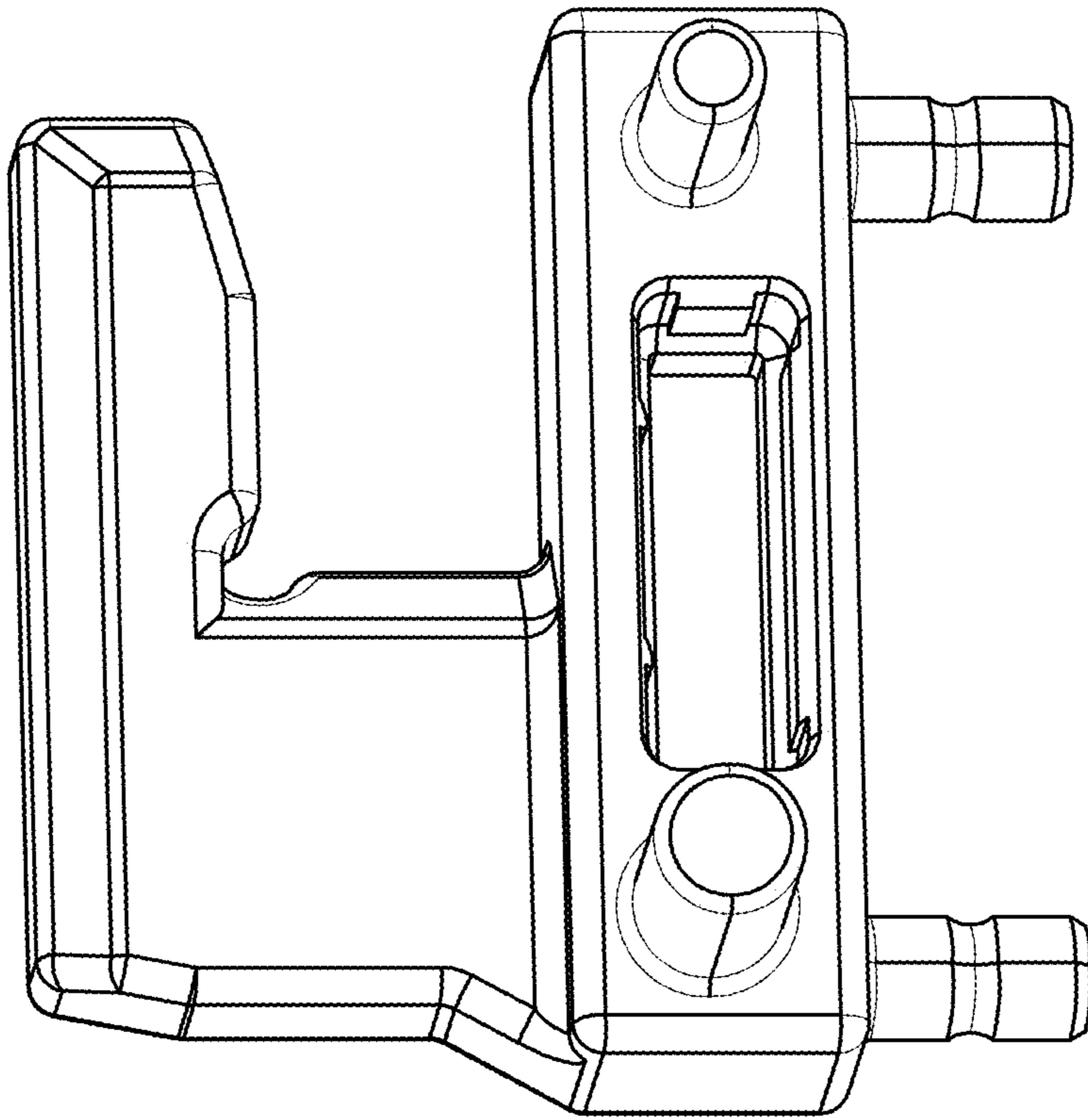


Fig.14

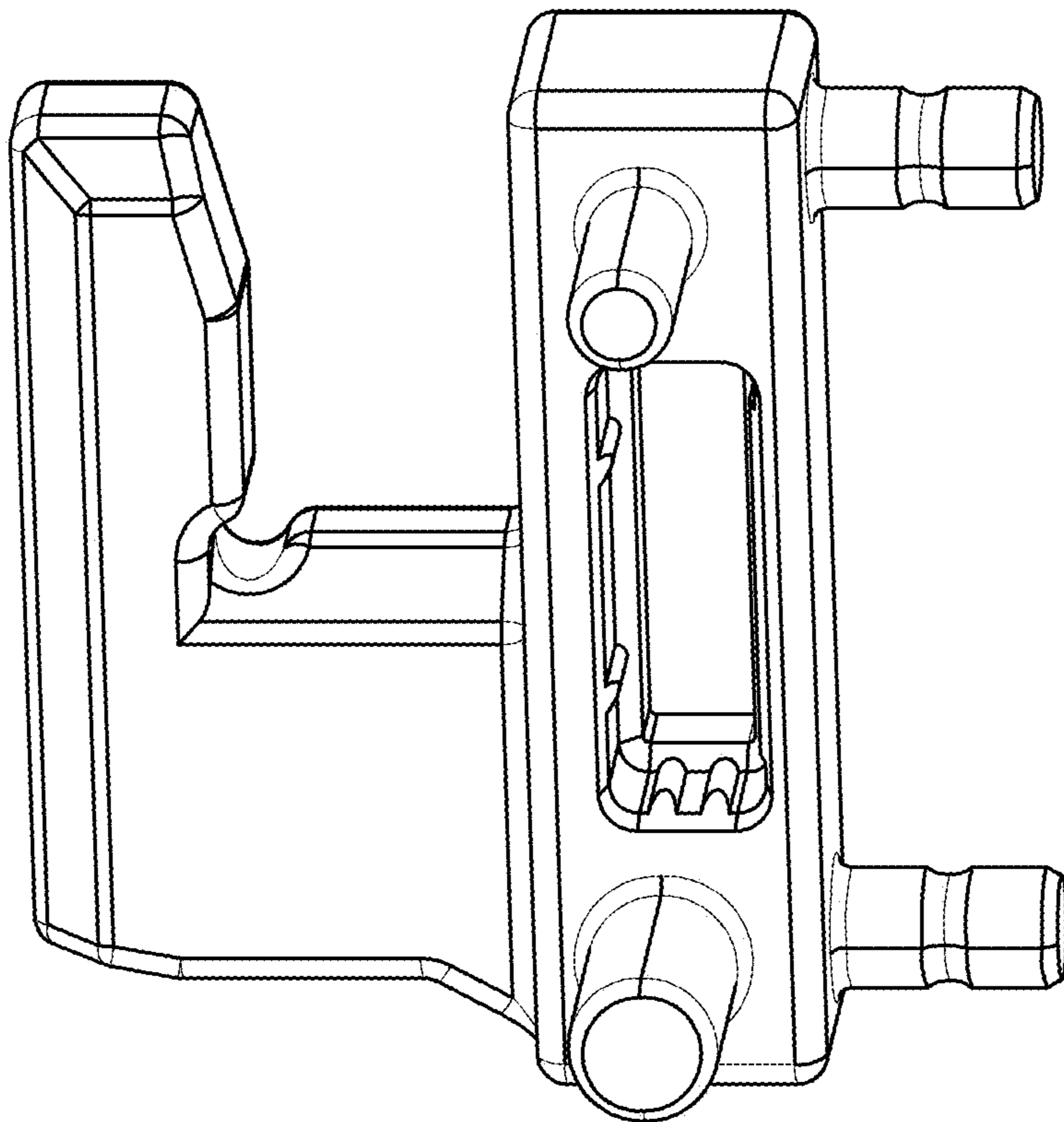


Fig.13

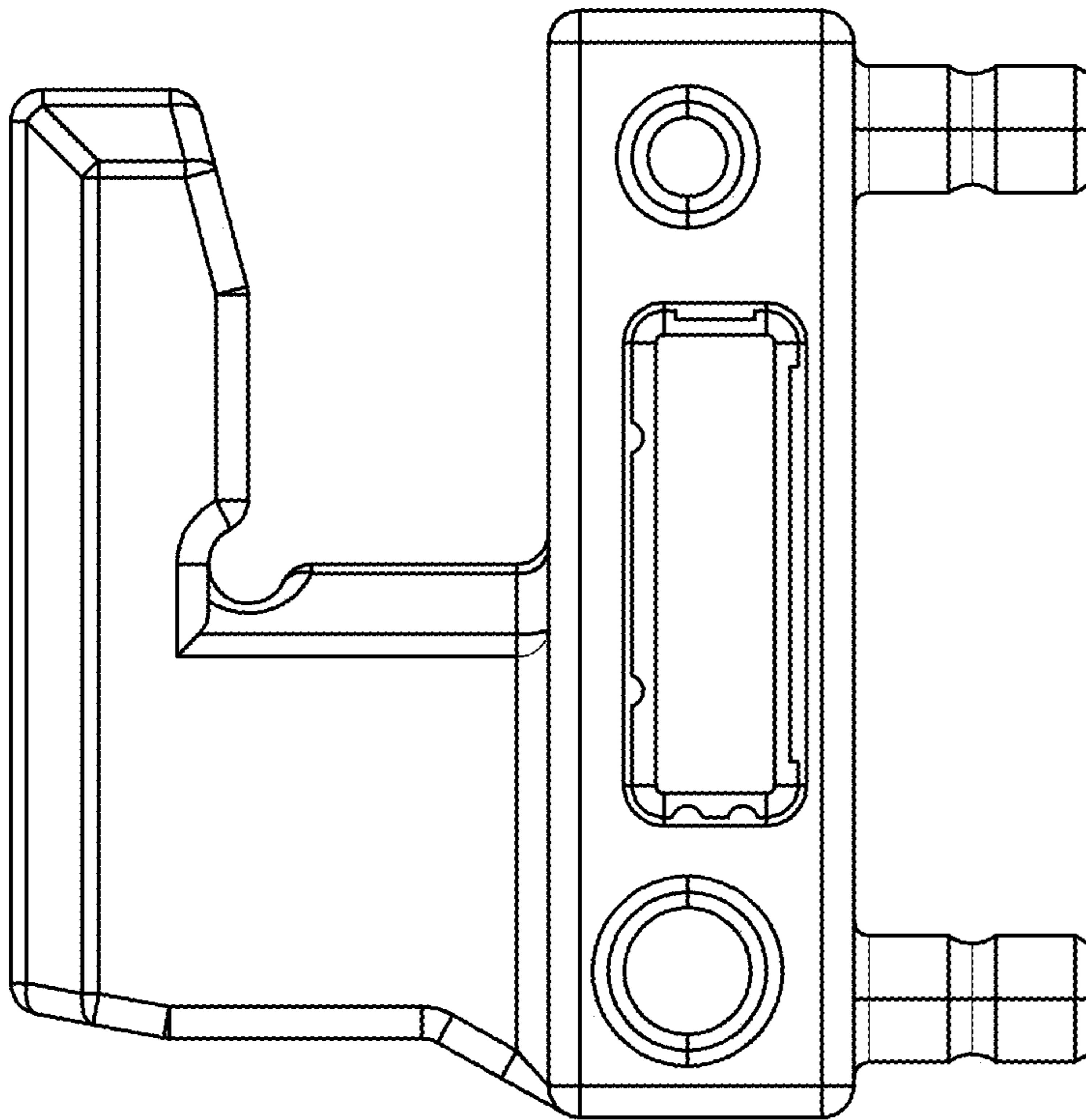


Fig.16

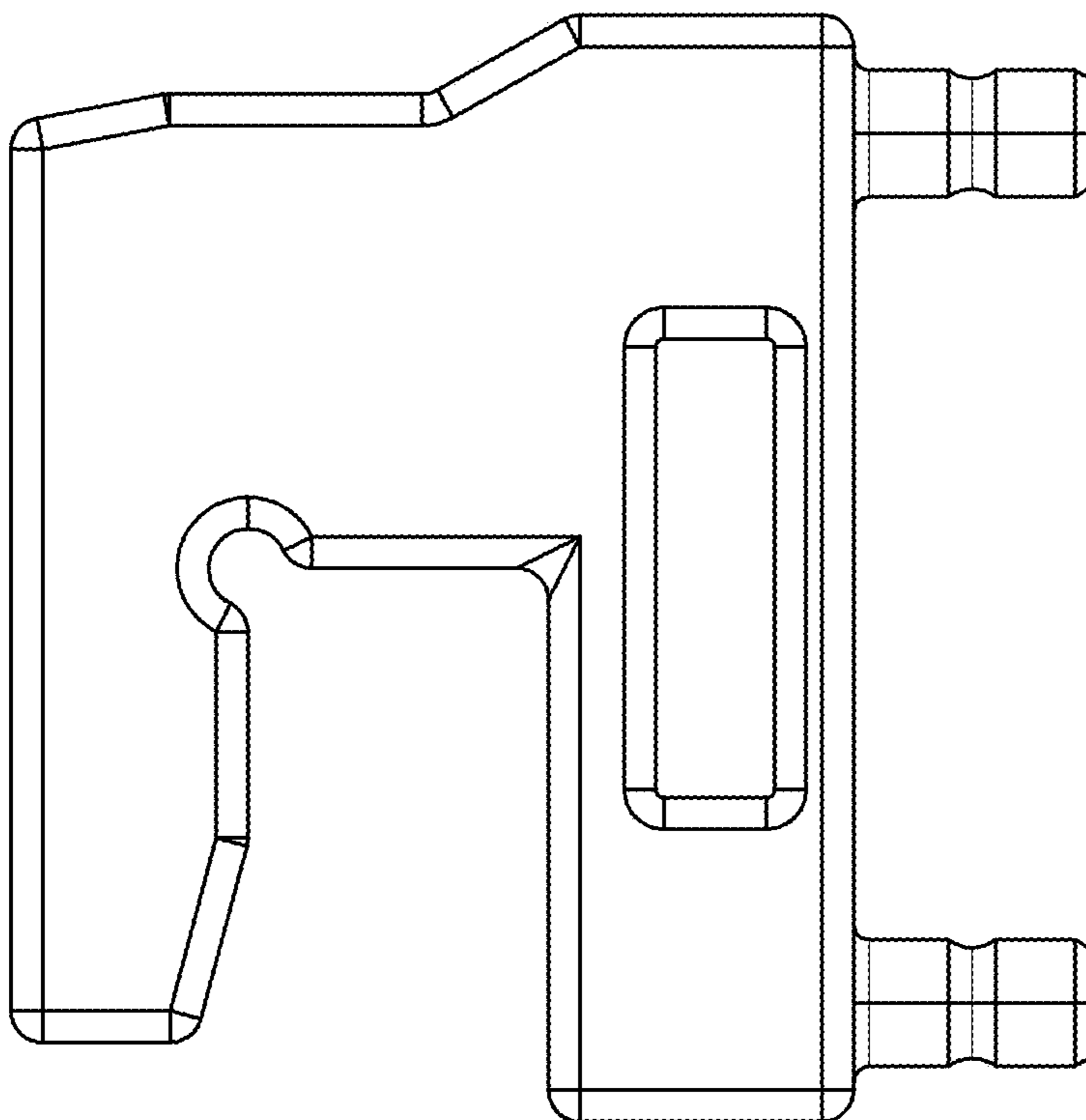


Fig.15

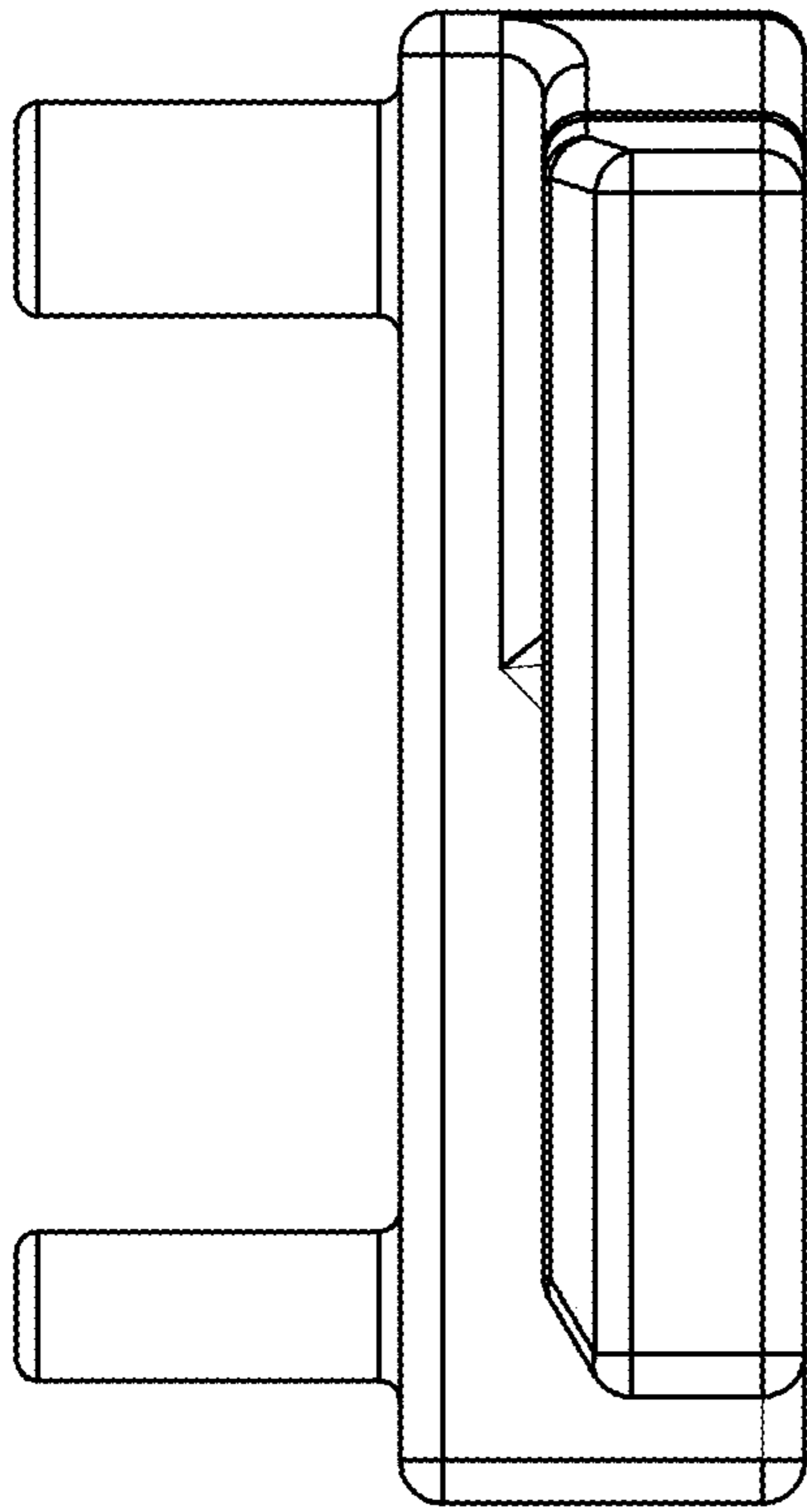


Fig.17

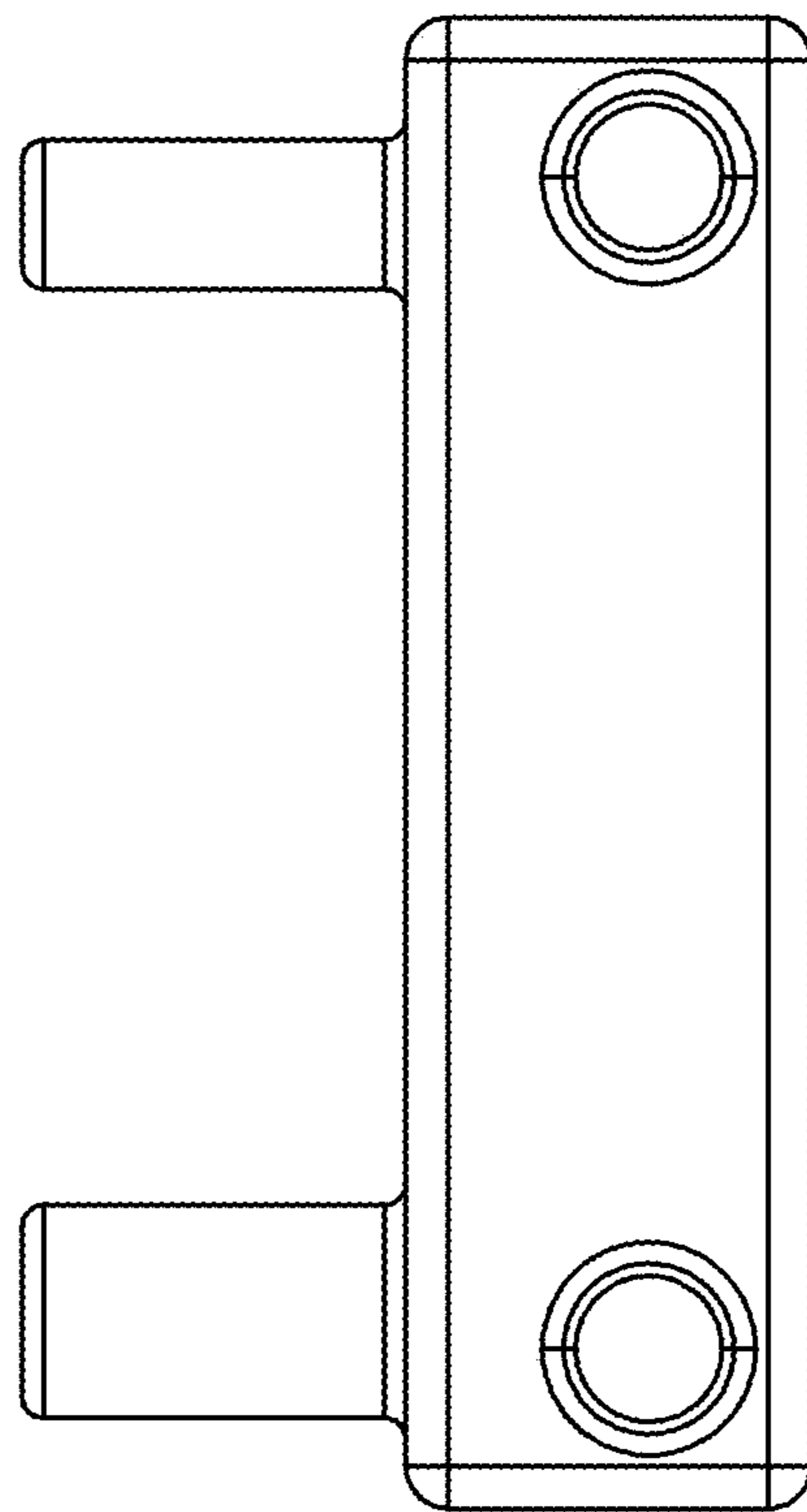


Fig.18

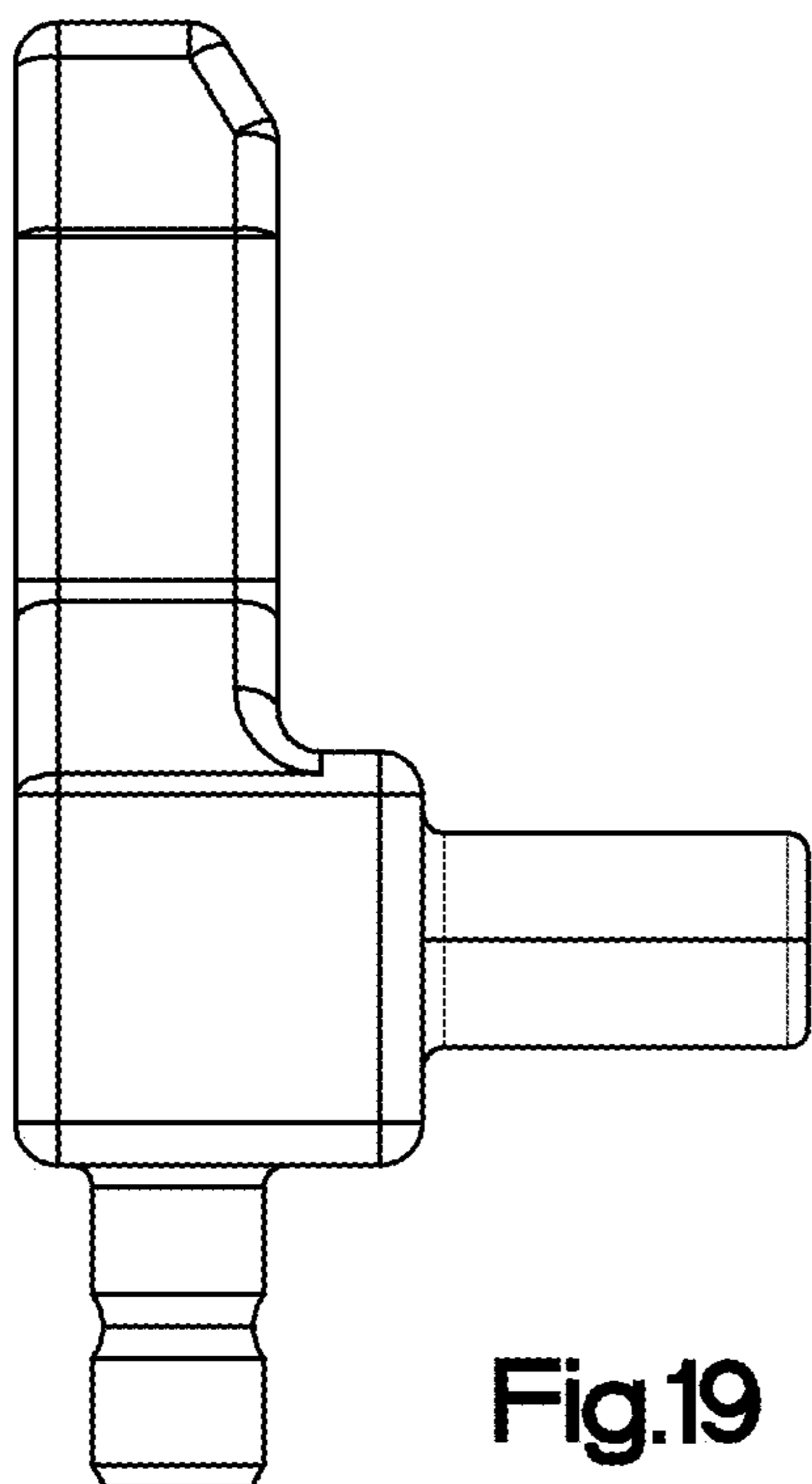


Fig.19

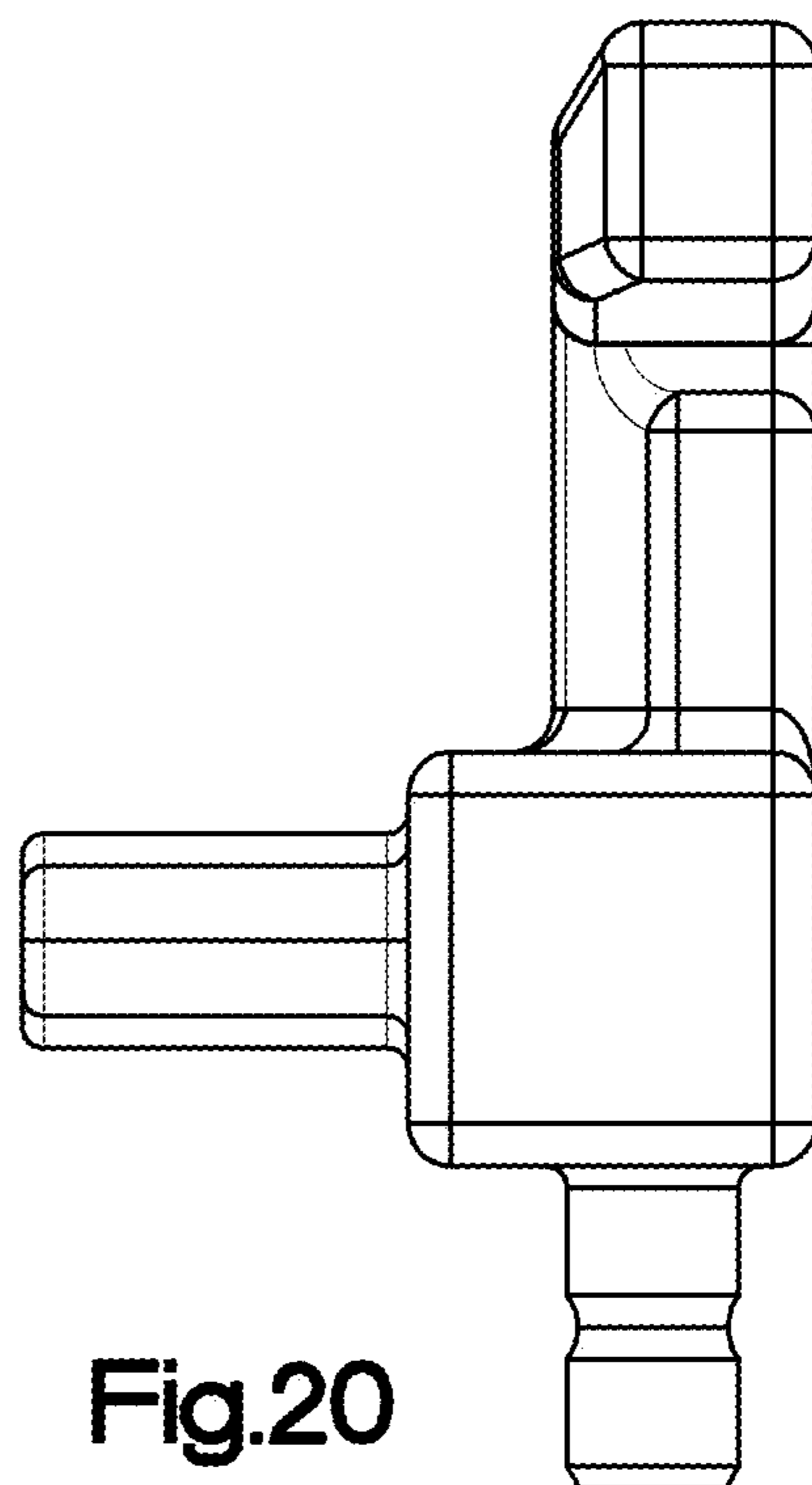


Fig.20