



US00D886064S

(12) **United States Design Patent** (10) **Patent No.:** **US D886,064 S**
Chen (45) **Date of Patent:** **** Jun. 2, 2020**

(54) **POWER STRIP**

(74) *Attorney, Agent, or Firm* — McCarter & English, LLP; Anita M. Bowles

(71) Applicant: **Shenzhen Anhaoruihe Electronics Co., LTD.**, Shenzhen (CN)

(57) **CLAIM**

The ornamental design for a power strip, as shown and described.

(72) Inventor: **Xinhe Chen**, Shenzhen (CN)

(73) Assignee: **Shenzhen Anhaoruihe Electronics Co., LTD.**, Shenzhen (CN)

DESCRIPTION

(**) Term: **15 Years**

(21) Appl. No.: **29/709,857**

(22) Filed: **Oct. 17, 2019**

(51) **LOC (12) Cl.** **13-03**

(52) **U.S. Cl.**
USPC **D13/139.8**

(58) **Field of Classification Search**
USPC D13/139.1–139.8, 137.1–137.4, 147
(Continued)

FIG. 1 is a perspective view of a first embodiment of a power strip;
 FIG. 2 is a front elevation view of the power strip shown in FIG. 1;
 FIG. 3 is a rear elevation view thereof;
 FIG. 4 is a right side elevation view thereof with the left side thereof being a mirror image of the right side;
 FIG. 5 is a top plan view thereof;
 FIG. 6 is a bottom plan view thereof;
 FIG. 7 is a perspective view of a second embodiment of a power strip;
 FIG. 8 is a front elevation view thereof;
 FIG. 9 is a rear elevation view thereof;
 FIG. 10 is a right side elevation view thereof with the left side thereof being a mirror image of the right side, with the top plan view thereof being the same as the top plan view in FIG. 5, and with the bottom plan view thereof being the same as the bottom plan view in FIG. 6;
 FIG. 11 is a perspective view of a third embodiment of a power strip;
 FIG. 12 is a front elevation view thereof;
 FIG. 13 is a rear elevation view thereof;
 FIG. 14 is a right side elevation view thereof with the left side thereof being a mirror image of the right side, with the top plan view thereof being the same as the top plan view in FIG. 5, and with the bottom plan view thereof being the same as the bottom plan view in FIG. 6;
 FIG. 15 is a perspective view of a fourth embodiment of a power strip;
 FIG. 16 is a front elevation view thereof;
 FIG. 17 is a rear elevation view thereof;
 FIG. 18 is a right side elevation view thereof with the left side thereof being a mirror image of the right side, with the top plan view thereof being the same as the top plan view in

(56) **References Cited**

U.S. PATENT DOCUMENTS

D217,251 S * 4/1970 Kahn D13/139.8
 D319,213 S 8/1991 Wiand
 (Continued)

FOREIGN PATENT DOCUMENTS

CN 302671963 12/2013
 CN 305147890 5/2019
 (Continued)

OTHER PUBLICATIONS

Power Outlet American Plug Extension Socket with Switch, VastFaFaSockets, <https://vastfafasockets.en.made-in-china.com/>, Oct. 1, 2019.

(Continued)

Primary Examiner — Rhea Shields

(Continued)

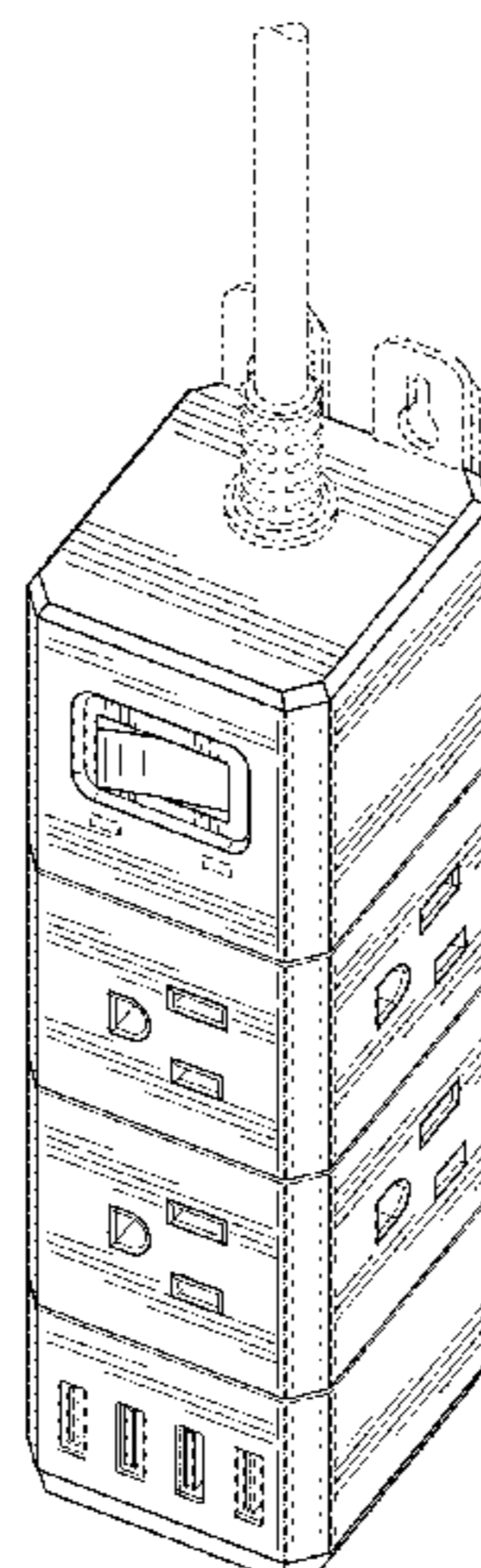


FIG. 5, and with the bottom plan view thereof being the same as the bottom plan view in FIG. 6;
 FIG. 19 is a perspective view of a fifth embodiment of a power strip;
 FIG. 20 is a front elevation view thereof;
 FIG. 21 is a rear elevation view thereof; and,
 FIG. 22 is a right side elevation view thereof with the left side thereof being a mirror image of the right side, with the top plan view thereof being the same as the top plan view in FIG. 5, and with the bottom plan view thereof being the same as the bottom plan view in FIG. 6.
 In the drawings, the broken lines are for the purpose of illustrating portions of the power strip that form no part of the claimed design.

1 Claim, 11 Drawing Sheets

(58) **Field of Classification Search**

CPC H01R 27/02; H01R 25/003; H01R 25/006;
 H01R 13/4534

See application file for complete search history.

(56) **References Cited**

U.S. PATENT DOCUMENTS

D327,873	S	7/1992	Luu	
D349,885	S	8/1994	Lee	
D365,802	S *	1/1996	Fladung	D13/139.8
D401,555	S *	11/1998	Tam	D13/137.3
D402,963	S *	12/1998	Parshad	D13/139.6
6,406,308	B1 *	6/2002	Wang	H01R 13/4534 439/145
D467,873	S *	12/2002	Yu	D13/137.2
D470,460	S *	2/2003	Yu	D13/139.8
6,830,477	B2	12/2004	Vander Vorste et al.	
D540,257	S *	4/2007	Ivanova	D13/137.2
D551,169	S *	9/2007	Tropp	D13/139.6

D566,654	S	4/2008	Ivanova et al.	
D581,872	S *	12/2008	Zhou	D13/139.6
7,845,974	B2	12/2010	Yue et al.	
8,376,782	B2 *	2/2013	Govekar	H01R 25/006 439/502
D686,574	S	7/2013	Miller	
D693,770	S	11/2013	Miller	
D718,714	S	12/2014	Si	
D780,122	S *	2/2017	Irons	H01R 27/02 D13/139.8
9,728,918	B2	8/2017	Feigl et al.	
D796,443	S	9/2017	Xu	
D807,831	S *	1/2018	Xu	D13/139.8
D814,420	S *	4/2018	Chen	D13/137.2
D826,163	S	8/2018	Xu	
D828,304	S *	9/2018	Chen	D13/139.8
D837,736	S	1/2019	Liao et al.	
D851,598	S	6/2019	Liang	
D852,749	S	7/2019	Wang	
D858,448	S	9/2019	Zhou	
D864,116	S *	10/2019	Martin	D13/137.4
10,446,992	B2 *	10/2019	Sharp	H01R 25/003
D867,998	S *	11/2019	Gorretta	D13/139.8
2016/0261079	A1	9/2016	Lin	
2017/0104299	A1	4/2017	Vu	
2018/0109054	A1	4/2018	Chin	

FOREIGN PATENT DOCUMENTS

JP	1082706	8/2000
JP	1583183 S	8/2017
KR	30-0447779	5/2007
KR	30-0728261 A	2/2014
KR	30-0752403	7/2014

OTHER PUBLICATIONS

Globe Electric 78255 Designer Series Surge Protector Power Strip, 3 Outlet, 2x USB Ports, Mint (Renewed), Amazon, <https://www.amazon.com/Globe-Electric-Designer-Protector>, Oct. 1, 2019.

* cited by examiner

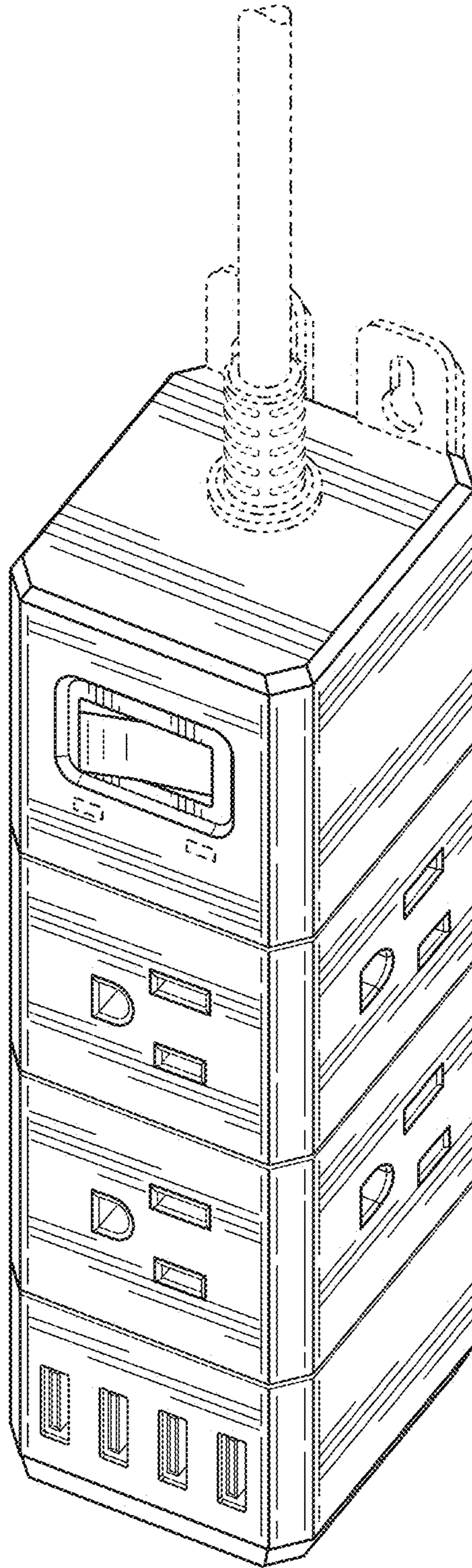


FIG. 1

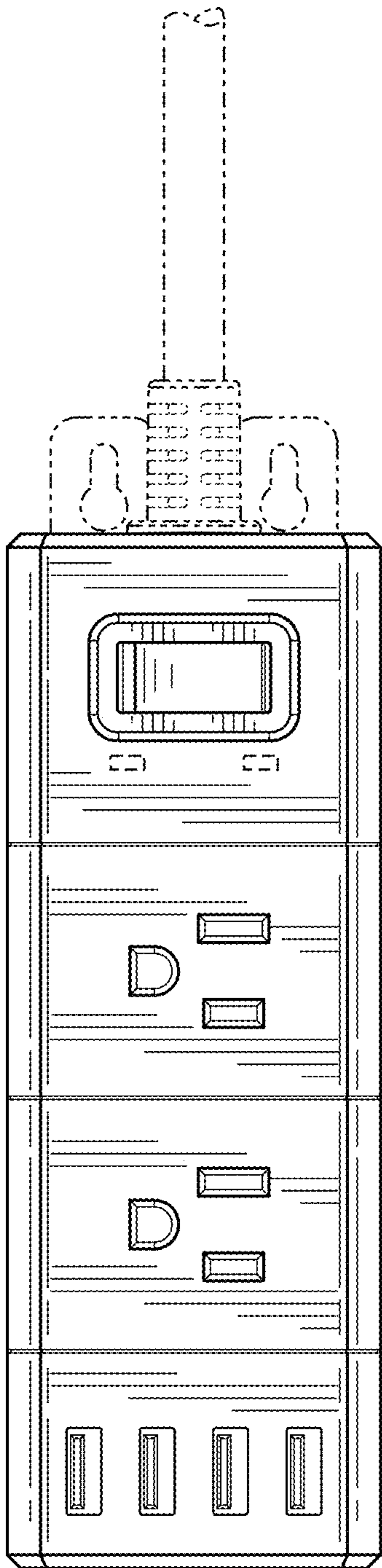


FIG. 2

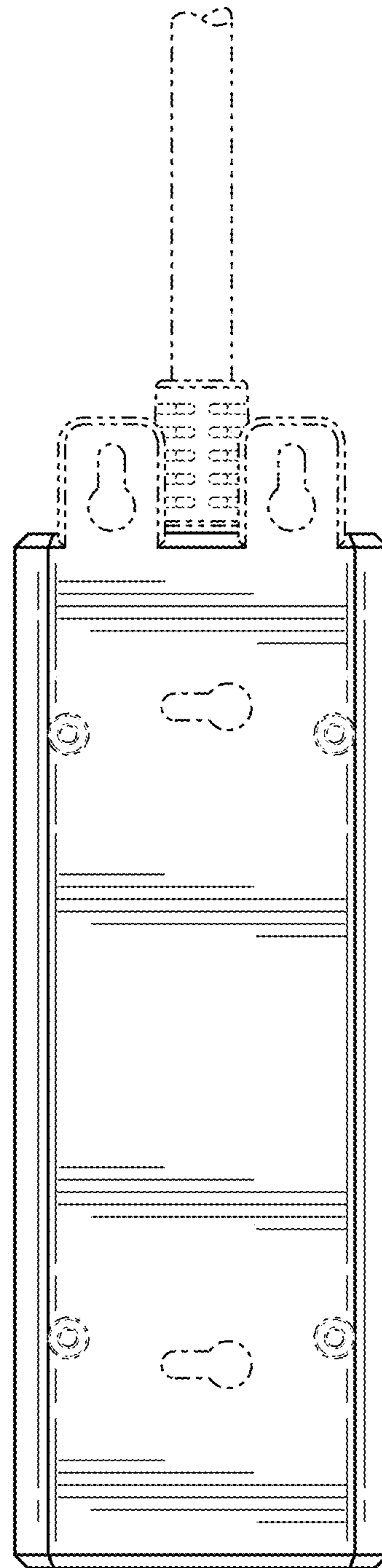


FIG. 3

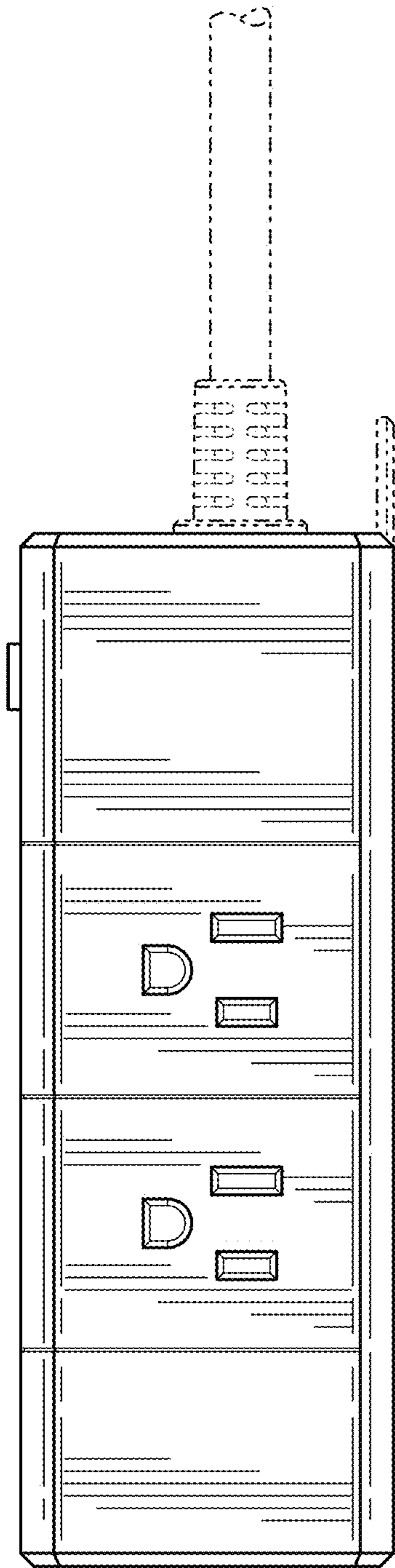


FIG. 4

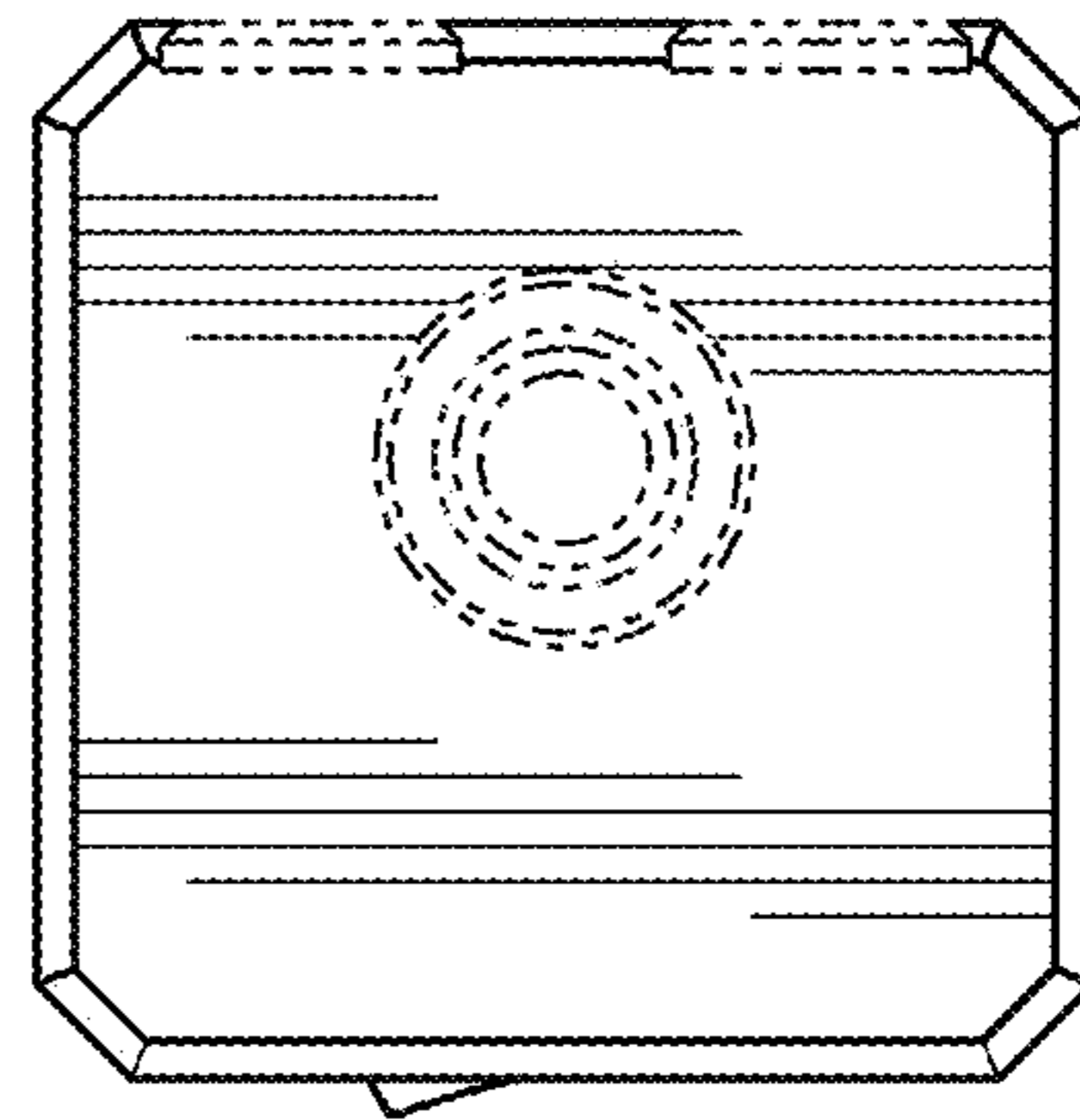


FIG. 5

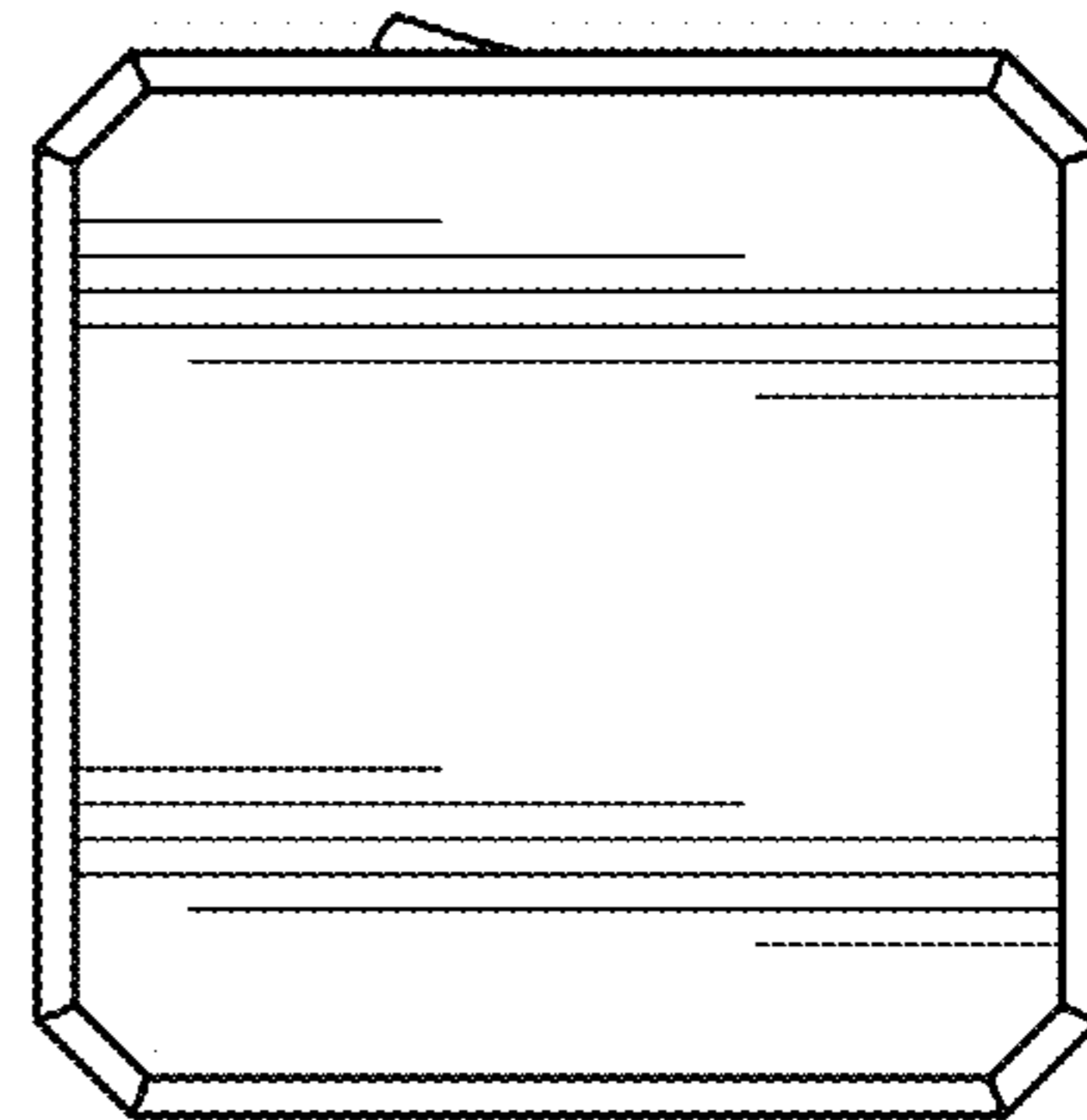


FIG. 6

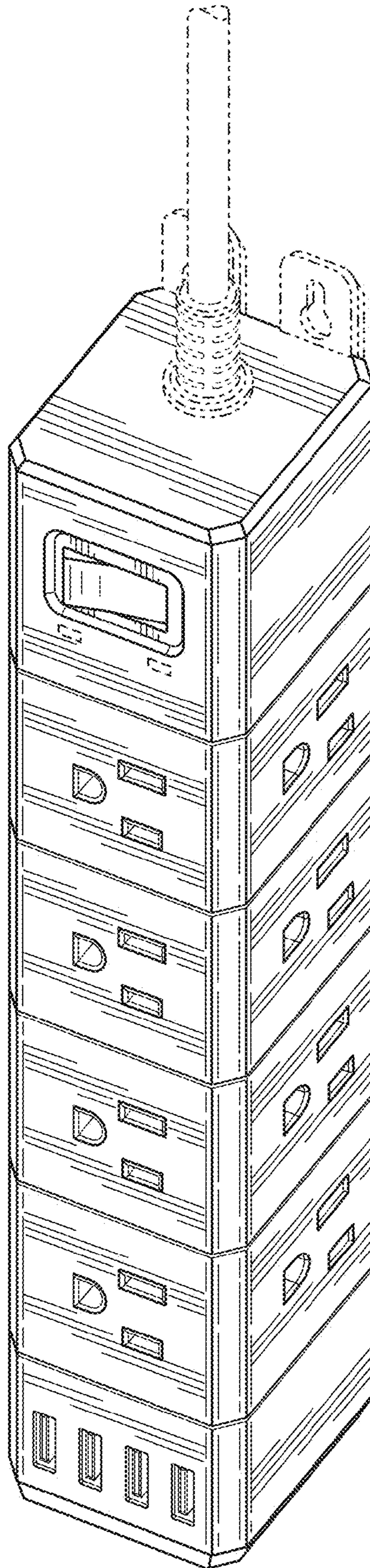


FIG. 7

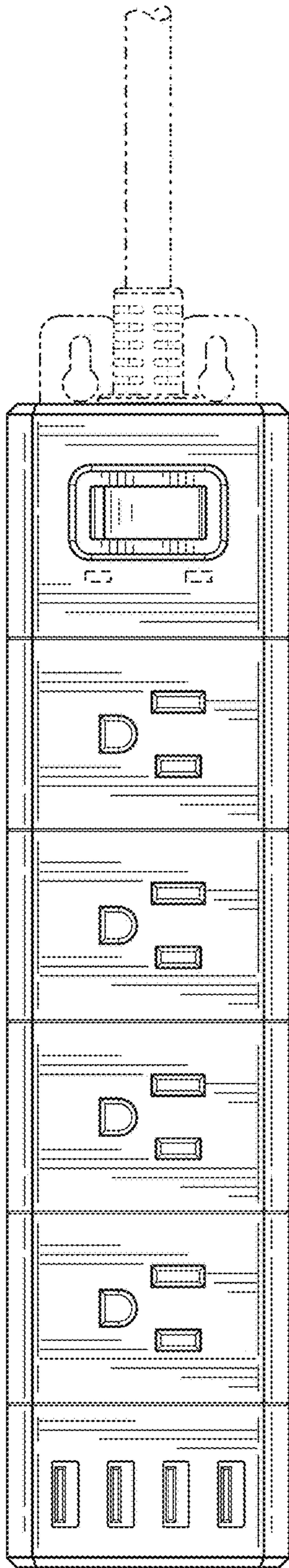


FIG. 8

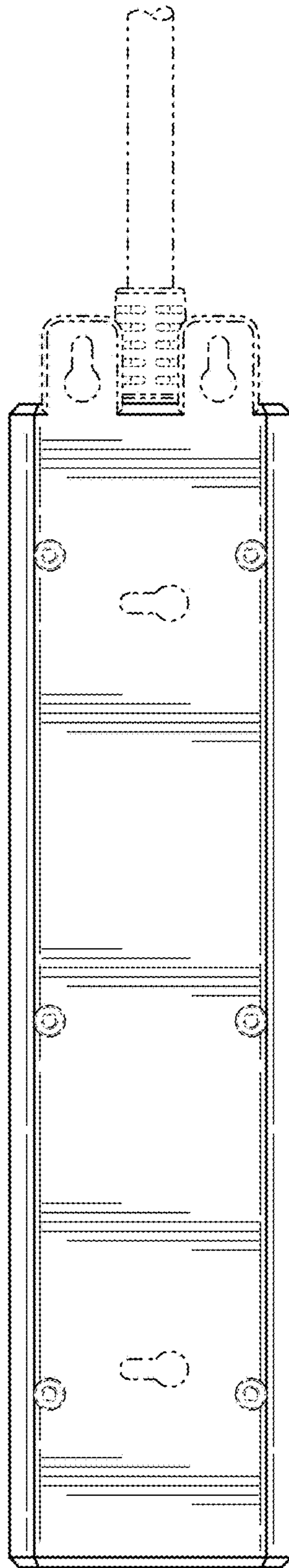


FIG. 9

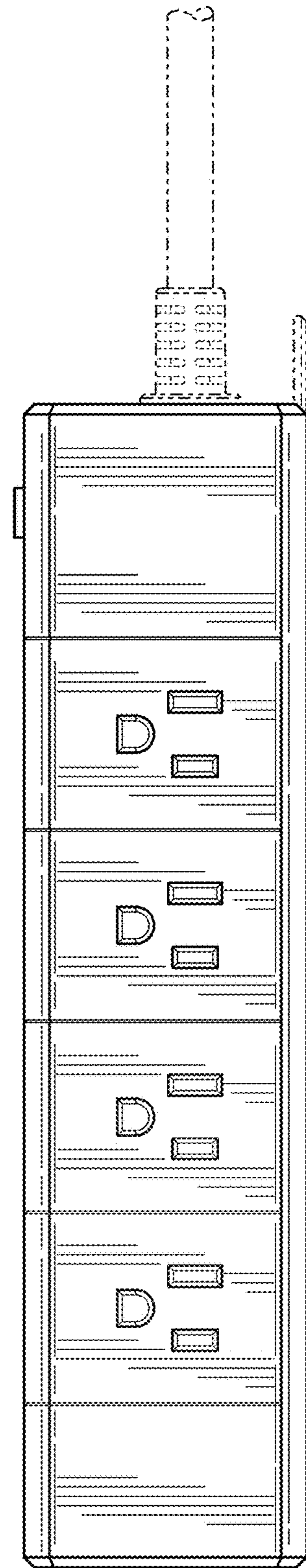


FIG. 10

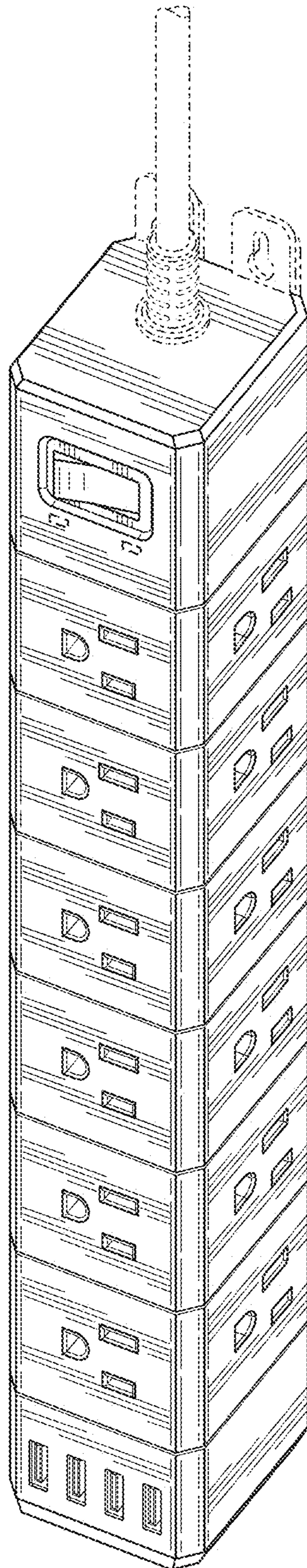


FIG. 11

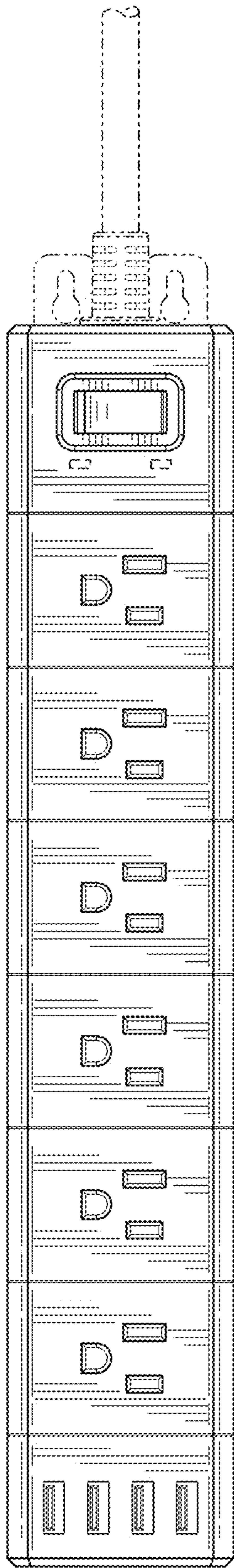


FIG. 12

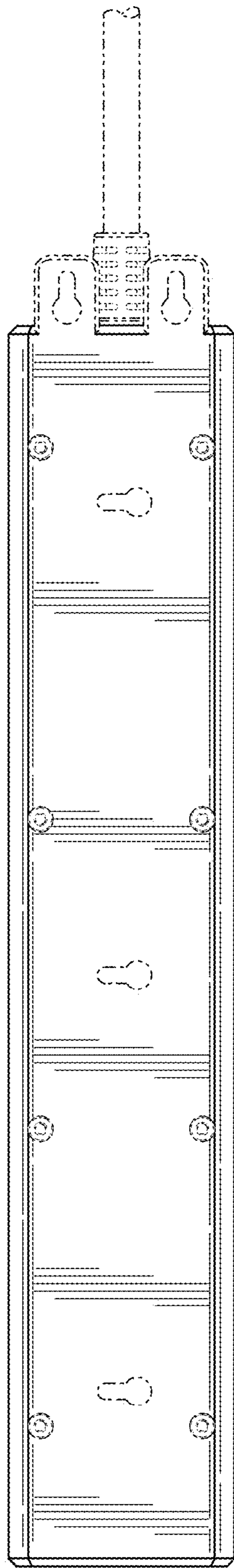


FIG. 13

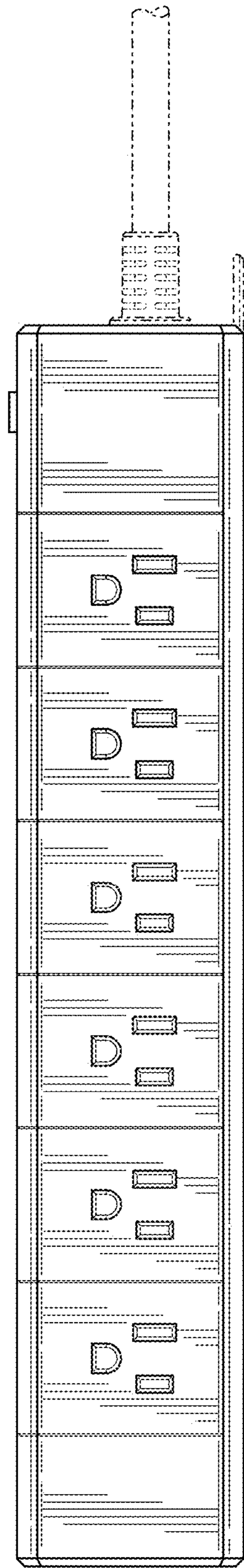


FIG. 14

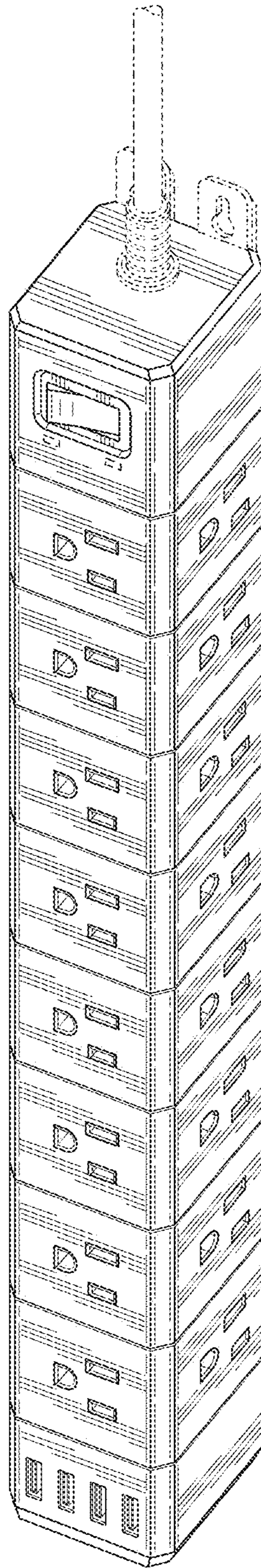


FIG. 15

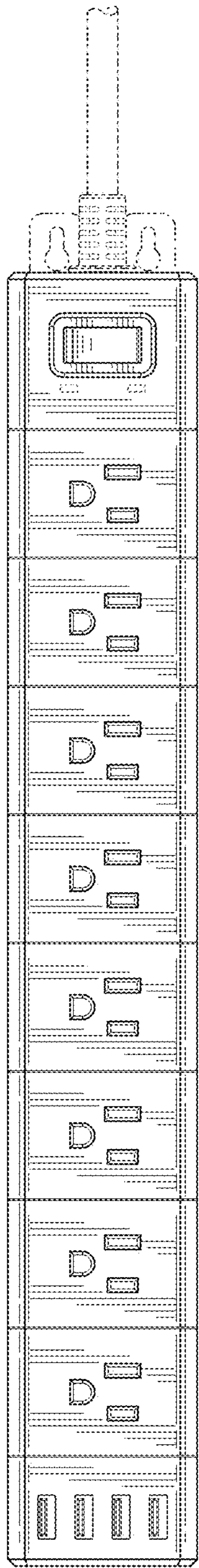


FIG. 16

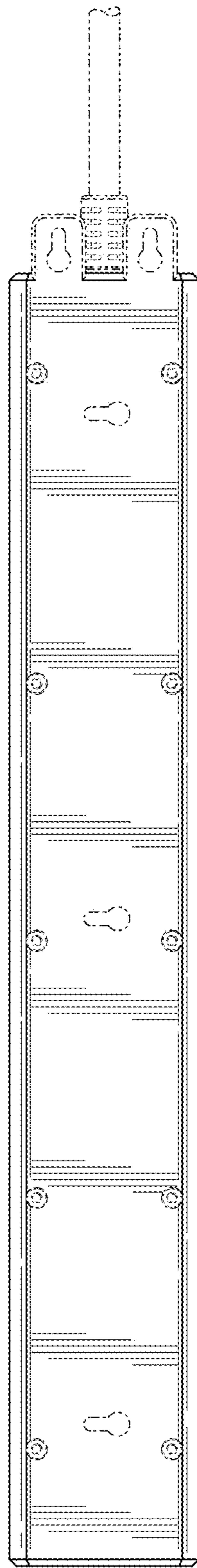


FIG. 17

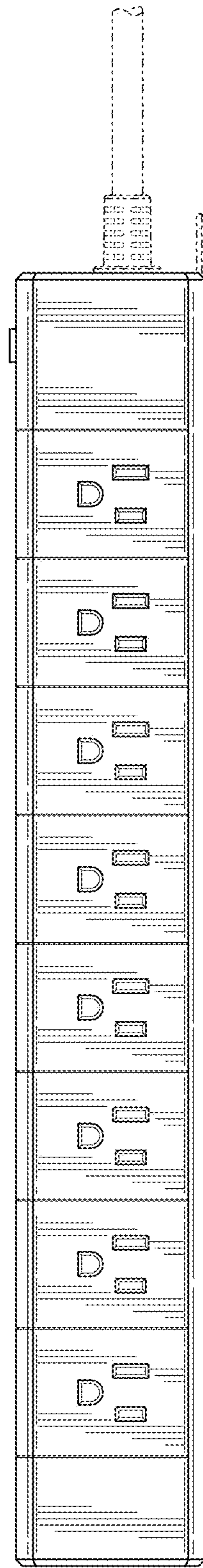


FIG. 18

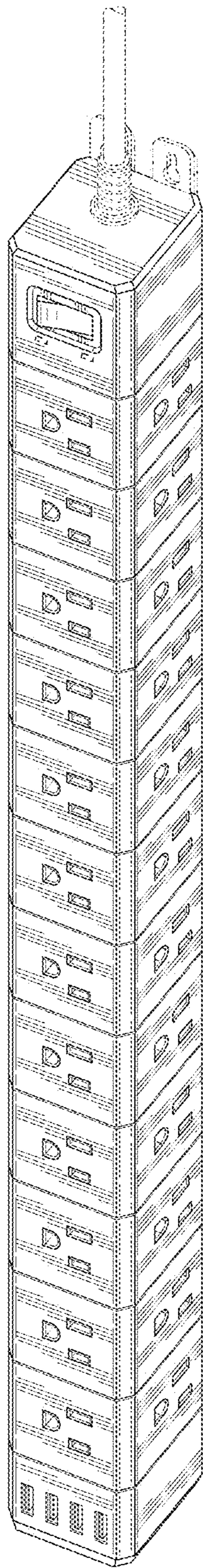


FIG. 19

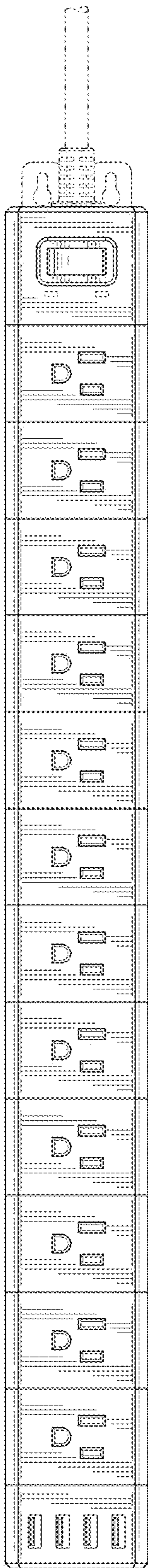


FIG. 20

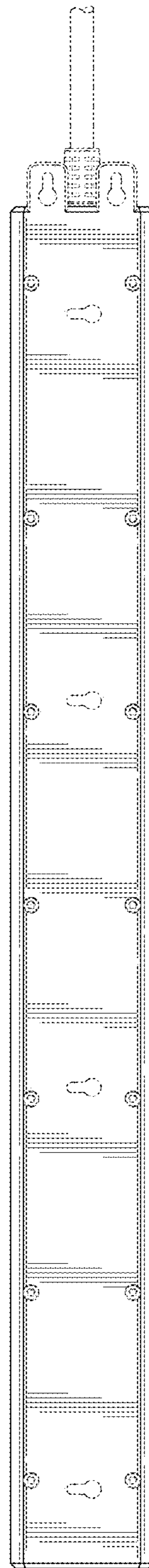


FIG. 21

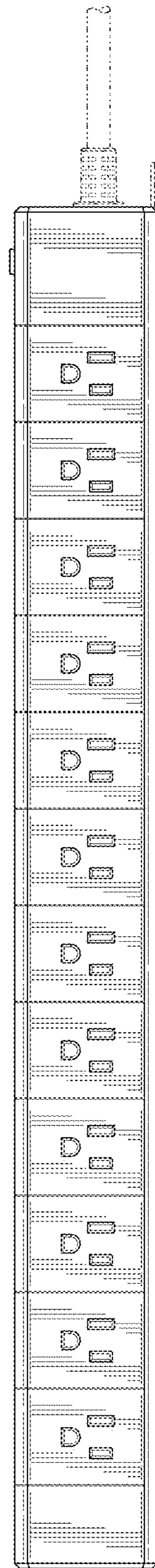


FIG. 22