



US00D886063S

(12) **United States Design Patent** (10) **Patent No.:** **US D886,063 S**
Cyzen et al. (45) **Date of Patent:** **** Jun. 2, 2020**

(54) **POWER CORD RETENTION DEVICE**
(71) Applicant: **Keith Cyzen**, Glen Ellyn, IL (US)
(72) Inventors: **Keith Cyzen**, Glen Ellyn, IL (US);
Mike Rafferty, Madison, WI (US)
(73) Assignee: **Keith Cyzen**, Glen Ellyn, IL (US)
(**) Term: **15 Years**
(21) Appl. No.: **29/663,660**
(22) Filed: **Sep. 18, 2018**
(51) **LOC (12) Cl.** **13-03**
(52) **U.S. Cl.**
USPC **D13/138.1**
(58) **Field of Classification Search**
USPC D13/103, 107, 108, 110, 133,
D13/137.1-137.4, 138.1-138.2,
D13/139.1-139.8, 146, 147, 151-156,
D13/173, 177, 199; D14/432, 433, 435.1,
D14/250; D23/231, 232; D15/7-9;
D8/350, 353-356
CPC H01R 11/00; H01R 9/00; H01R 13/00;
H01R 13/04; H01R 13/10; H01R
13/6666; H01R 13/6675; H01R 25/00;
H01R 25/006; H01H 2207/00; H01H
2207/022; Y02E 60/12; Y02E 60/122;
Y02E 60/124; Y02E 60/50; H01M 2/02;
H01M 2/022; H01M 2/0202; H01M
2/0207; H01M 2/0212; H01M 2/1061;
H01M 2/1022; H01M 2/1055; H01M
2/1066; H01M 2/105; H01M 2/204; H02J
7/00; H02J 7/0003; H02J 7/0011; H02J
7/0013; H02J 7/0054; H02J 7/0055; H02J
7/0057; Y02T 10/7005; Y02T 10/705;
Y02T 10/7088; B60L 11/1809; B60L
11/1861
See application file for complete search history.

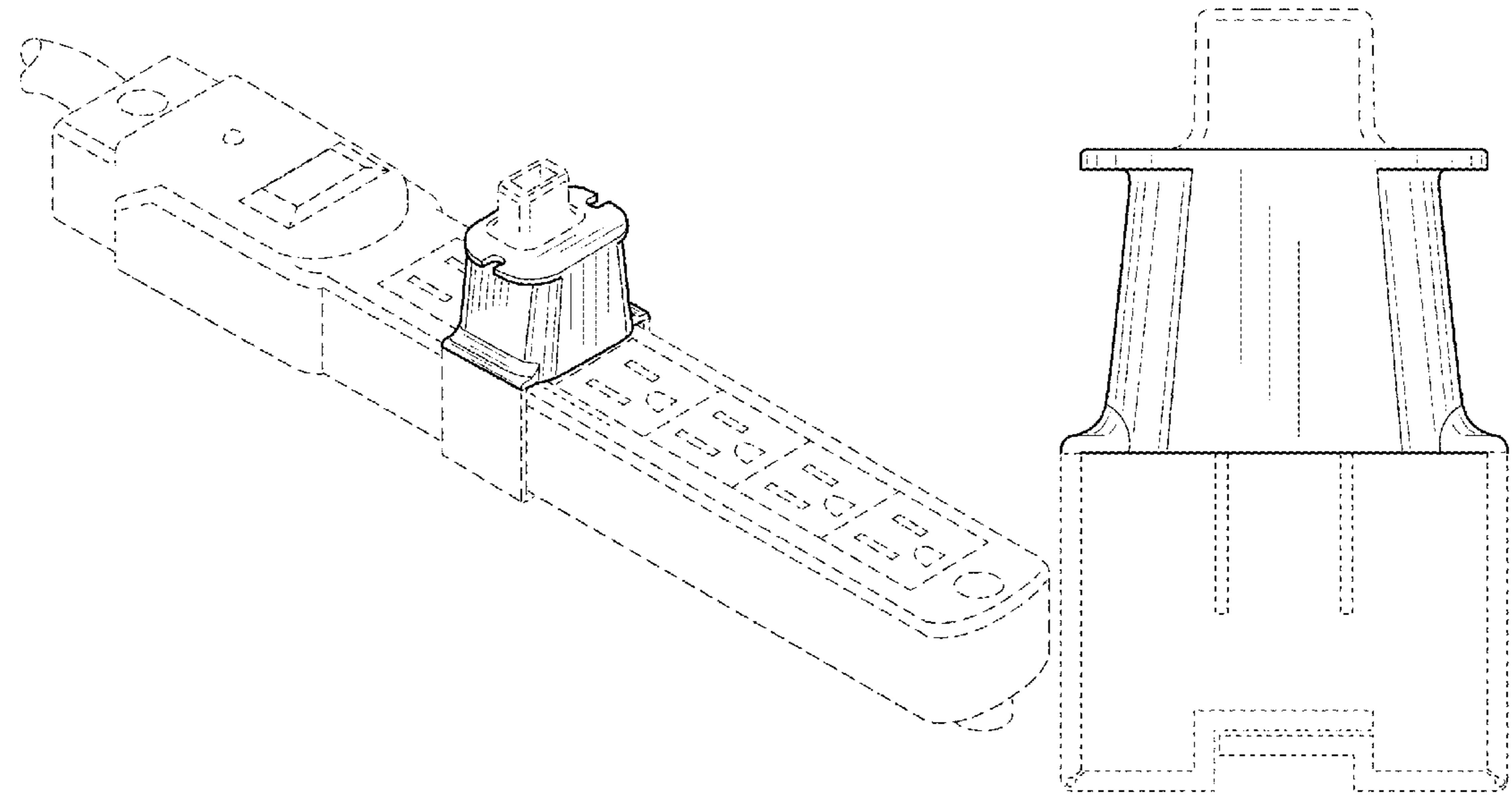
(56) **References Cited**
U.S. PATENT DOCUMENTS
D614,129 S * 4/2010 Nylen D13/108
D621,348 S * 8/2010 Nylen D13/108
D621,349 S * 8/2010 Nylen D13/108
D627,729 S * 11/2010 Smith D13/108
D652,801 S * 1/2012 Zou D13/139.8
D653,214 S * 1/2012 Zou D13/138.2
D660,796 S * 5/2012 Wen D13/110
D702,631 S * 4/2014 Esses D13/108
D704,630 S * 5/2014 Liu D13/108
D705,725 S * 5/2014 Ryu D13/108
D742,831 S * 11/2015 Yu D13/139.6
D759,016 S * 6/2016 Zaslavsky D14/433
D819,572 S * 6/2018 Ye D13/138.2
D821,977 S * 7/2018 Ye D13/138.2
D849,577 S * 5/2019 Aromin D10/78
D860,138 S * 9/2019 Aromin D13/138.2
(Continued)

Primary Examiner — Rosemary K Tarcza
Assistant Examiner — Christy M Nemeth
(74) *Attorney, Agent, or Firm* — Marshall, Gerstein &
Borun LLP

(57) **CLAIM**
The ornamental design for a power cord retention device, as
shown and described.

DESCRIPTION
FIG. 1 is a first perspective view of a power cord retention
device;
FIG. 2 is a second perspective view thereof;
FIG. 3 is a front elevation view thereof;
FIG. 4 is a rear elevation view thereof;
FIG. 5 is a right-side view thereof;
FIG. 6 is a left-side view thereof;
FIG. 7 is a top view thereof; and,
FIG. 8 is a bottom view thereof.
The dashed lines showing portions of the power cord
retention device are included for the purpose of illustrating
environment and form no part of the claimed design.

1 Claim, 8 Drawing Sheets



(56)

References Cited

U.S. PATENT DOCUMENTS

| | | | |
|-----------------|---------|-------------------------|-----------|
| D860,141 S * | 9/2019 | Cyzen | D13/156 |
| 10,439,327 B1 * | 10/2019 | Cyzen | H02G 3/14 |
| D867,286 S * | 11/2019 | Akana | D13/110 |
| D867,287 S * | 11/2019 | Akana | D13/110 |
| D870,114 S * | 12/2019 | Laffon de Mazieres | D14/433 |
| D872,035 S * | 1/2020 | Aromin | D13/160 |

* cited by examiner

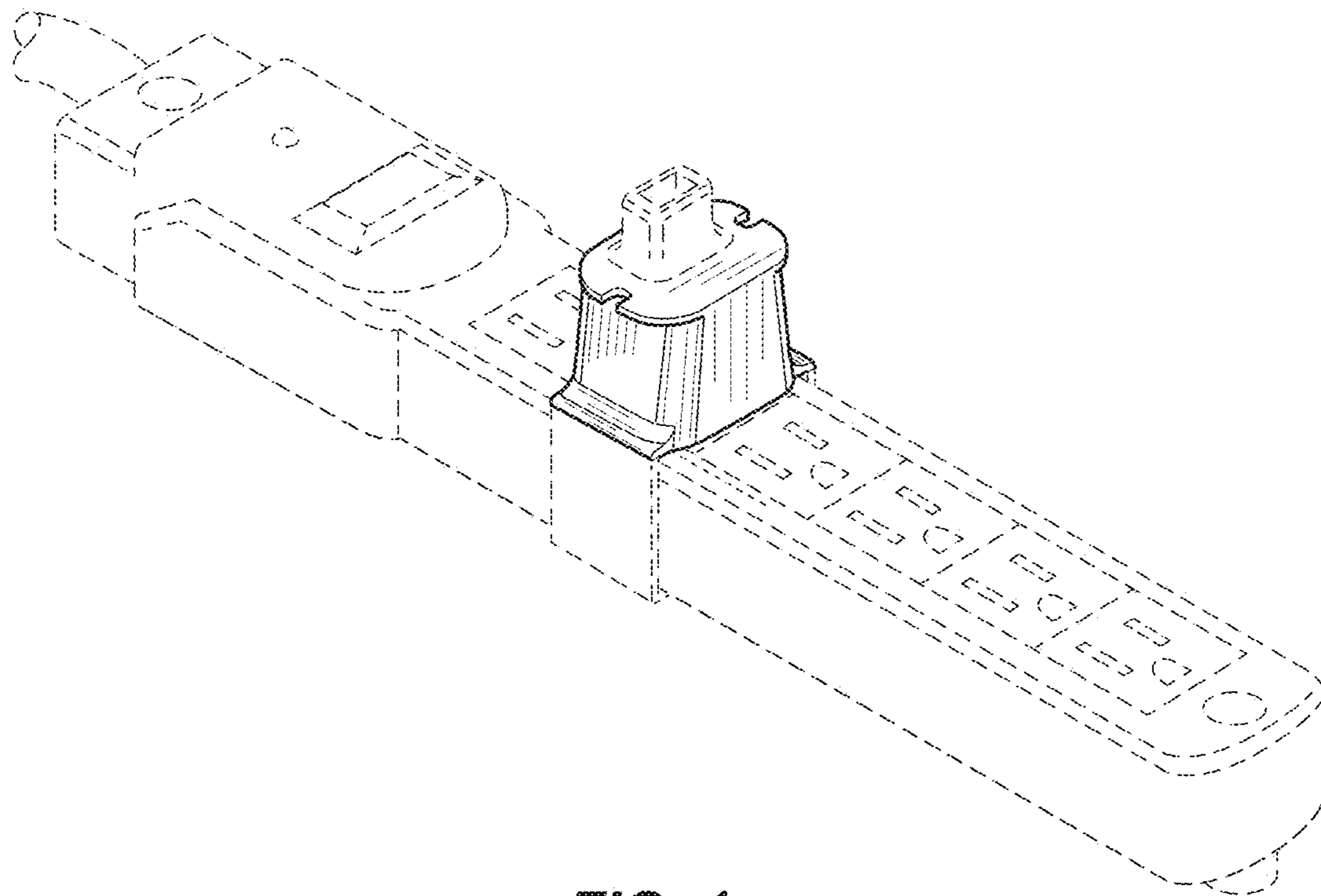


FIG. 1

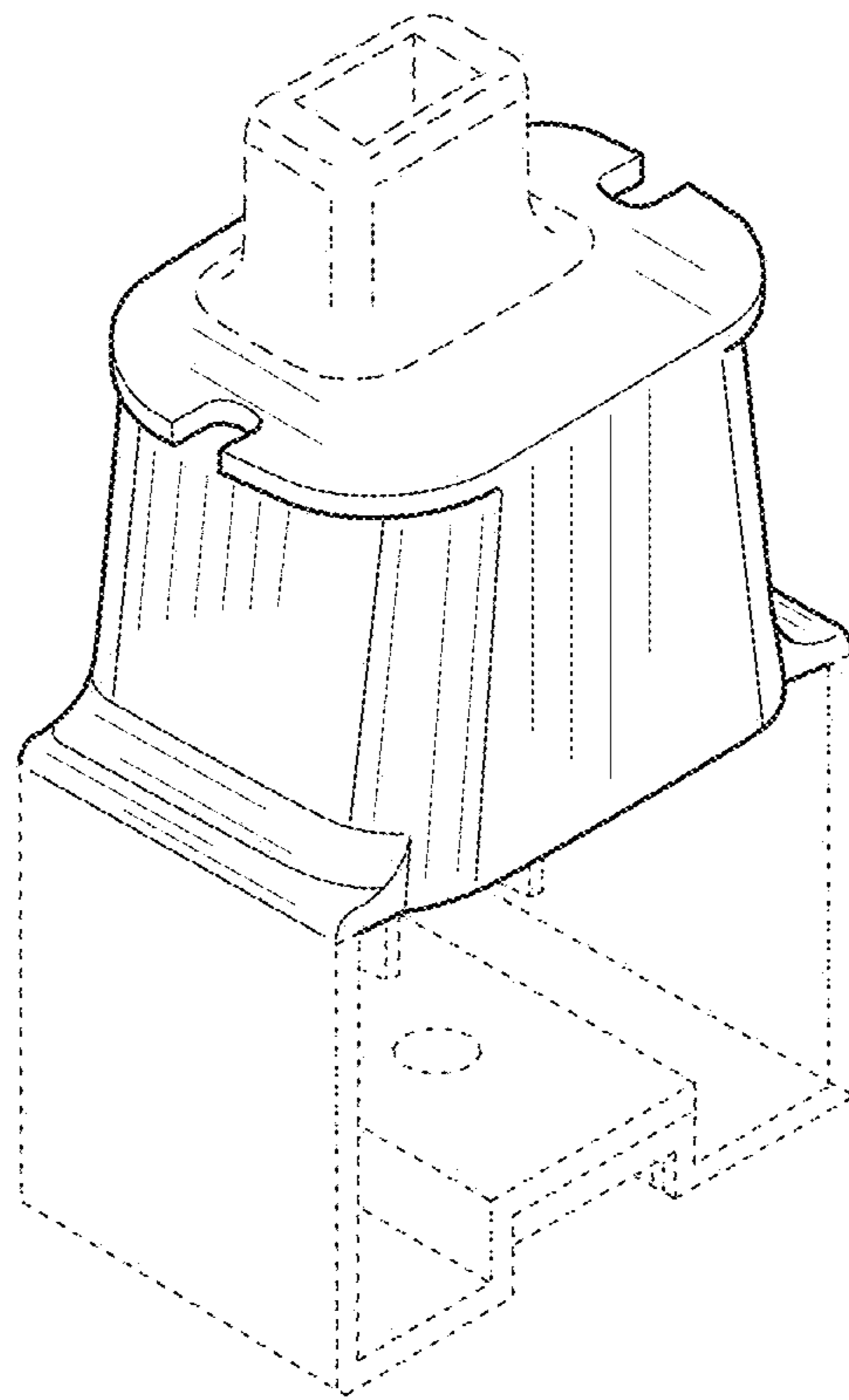


FIG. 2

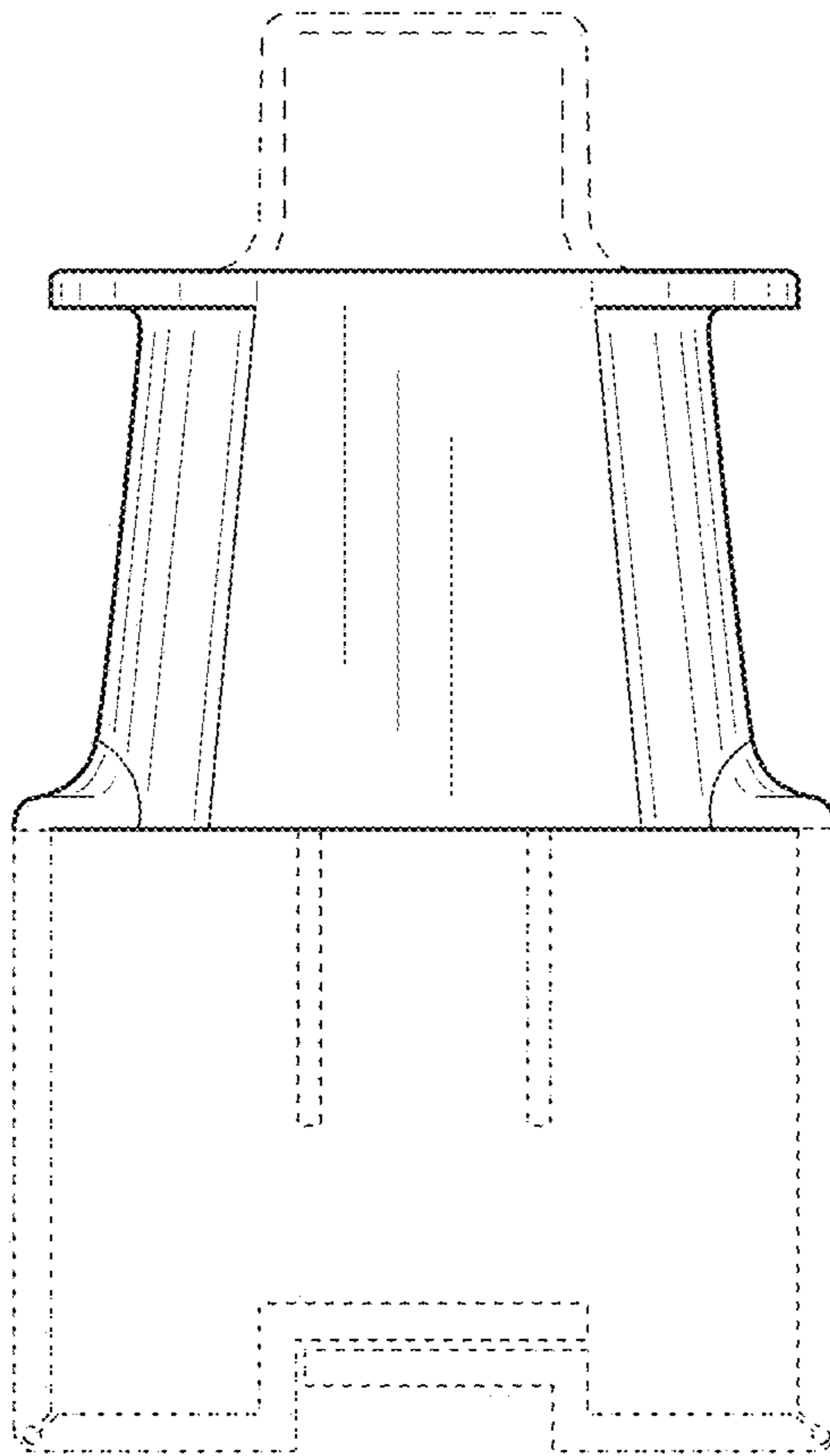


FIG. 3

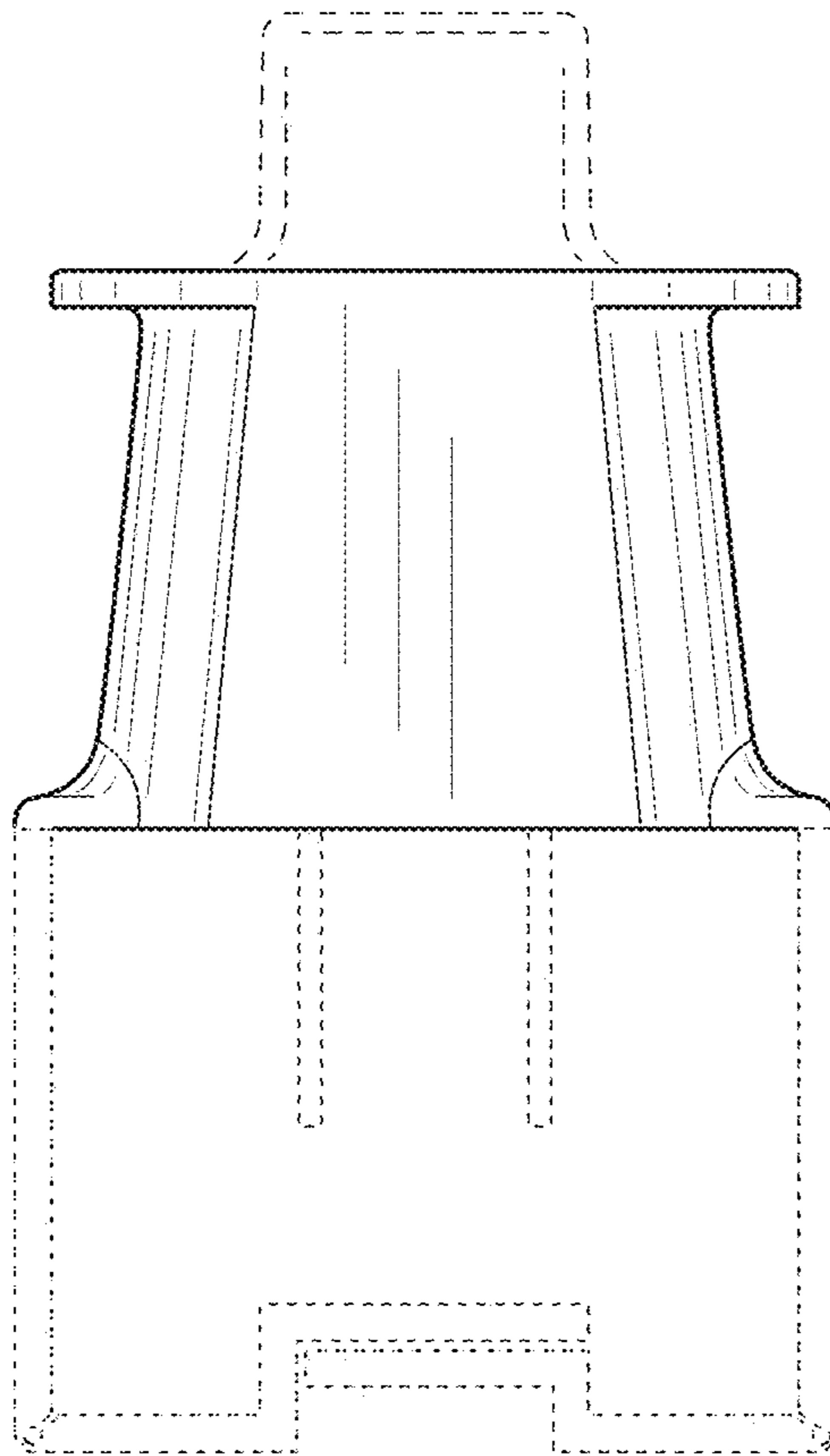


FIG. 4

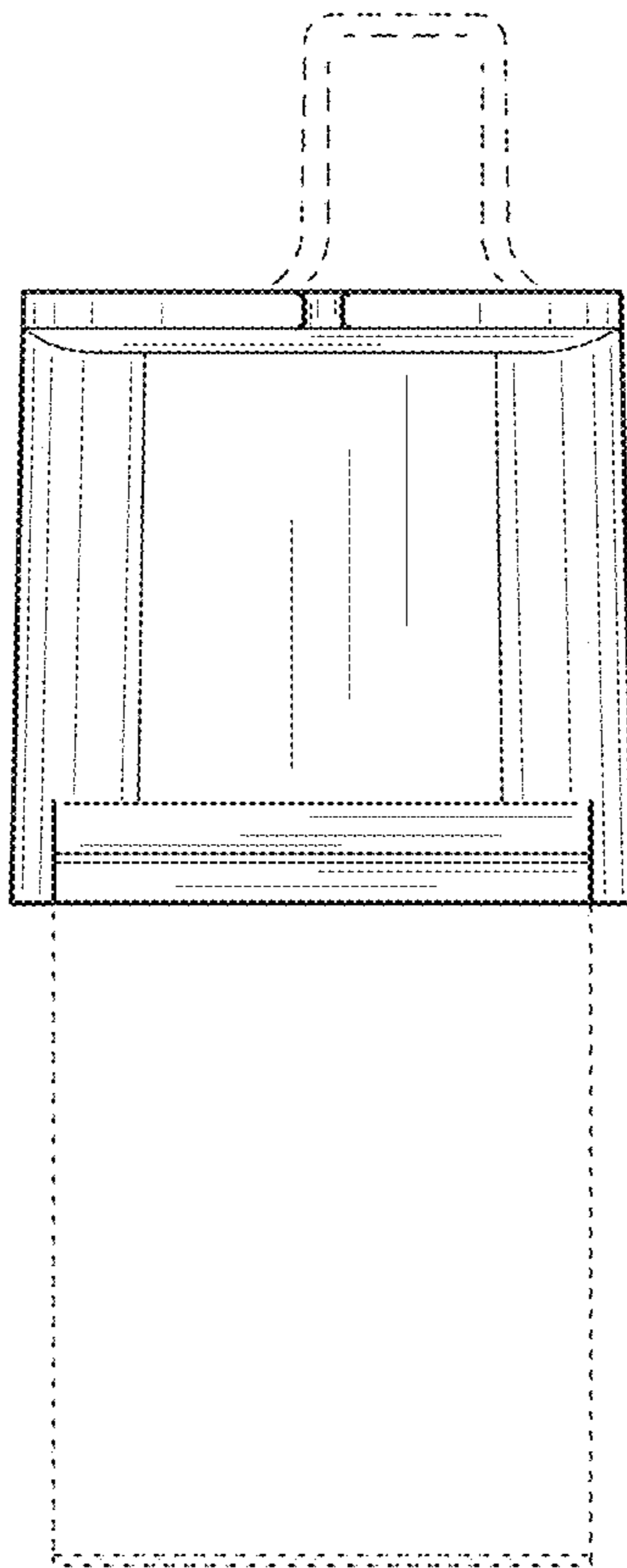


FIG. 5

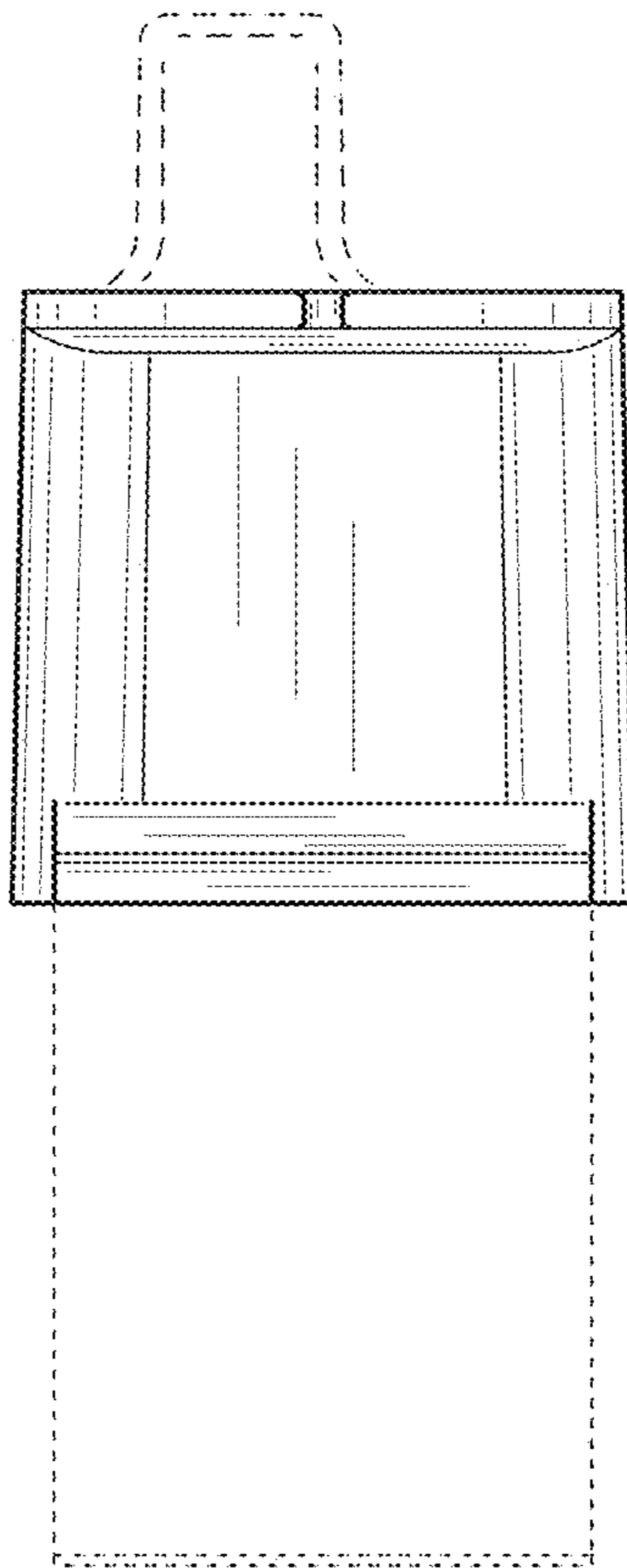


FIG. 6

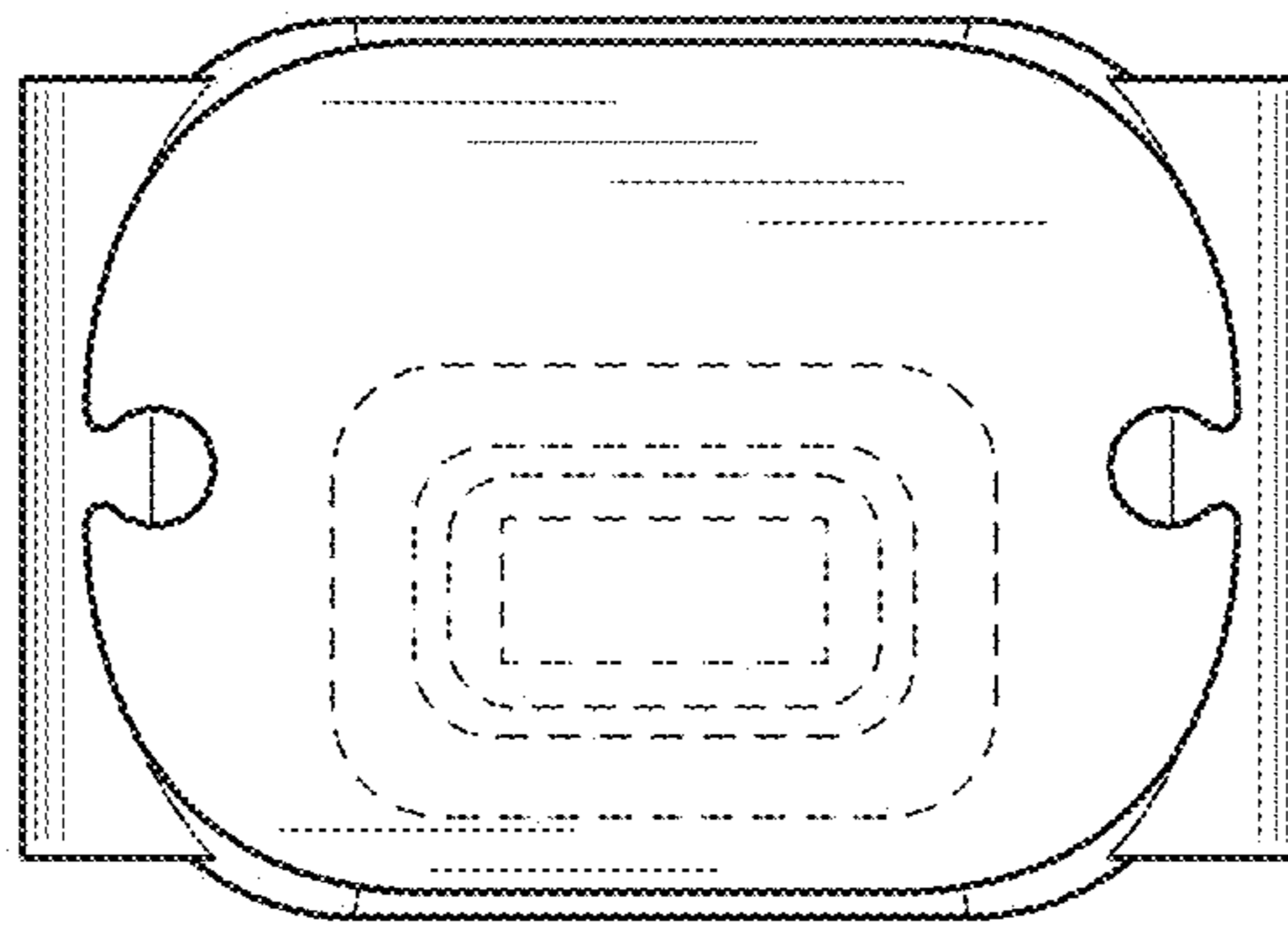


FIG. 7

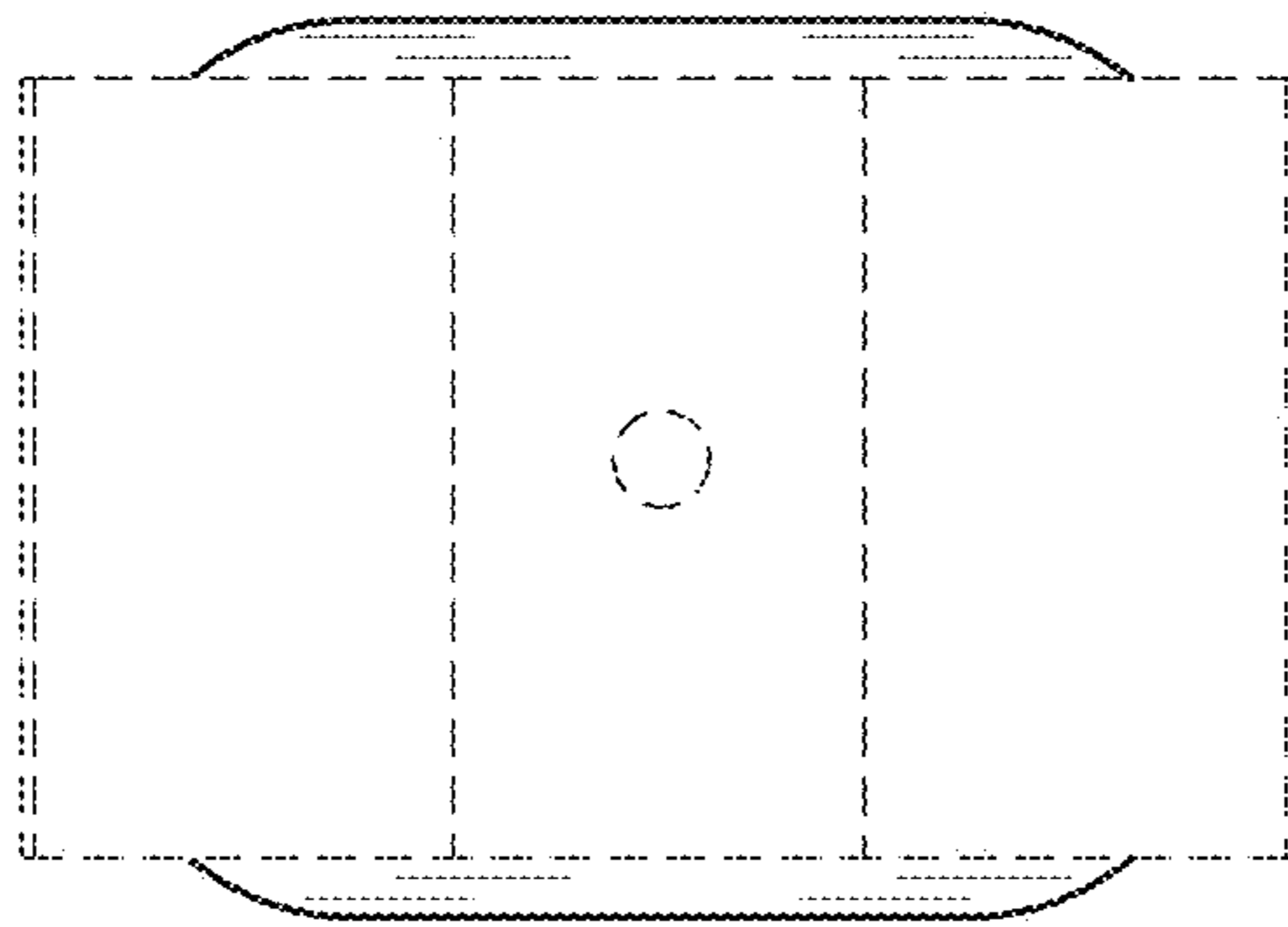


FIG. 8