



US00D886062S

(12) **United States Design Patent**
Du

(10) **Patent No.:** **US D886,062 S**

(45) **Date of Patent:** **** Jun. 2, 2020**

(54) **SOCKET**

(71) Applicant: **Xingqun Du**, Guangxi (CN)

(72) Inventor: **Xingqun Du**, Guangxi (CN)

(**) Term: **15 Years**

(21) Appl. No.: **29/709,430**

(22) Filed: **Oct. 15, 2019**

(51) **LOC (12) Cl.** **13-03**

(52) **U.S. Cl.**
USPC **D13/137.2**

(58) **Field of Classification Search**
USPC D13/137.1-137.4, 139.1-139.8, 147
CPC ... H01R 13/6658; H01R 25/006; H01R 12/77
See application file for complete search history.

(56) **References Cited**

U.S. PATENT DOCUMENTS

- 4,463,998 A * 8/1984 Reavis H01R 12/77
439/137
- D401,555 S * 11/1998 Tam D13/137.3
- D406,102 S * 2/1999 Byrne D13/139.4
- 6,200,159 B1 * 3/2001 Chou H01R 13/6658
174/494
- D445,400 S * 7/2001 Tong D13/139.8
- D445,401 S * 7/2001 Tong D13/139.8

- D473,189 S * 4/2003 Ho D13/139.8
- D580,358 S * 11/2008 Gershfeld D13/139.4
- D636,728 S * 4/2011 Terleski D13/139.4
- D645,404 S * 9/2011 Chuang D13/139.1
- D666,972 S * 9/2012 Kuo D13/139.1
- D775,078 S * 12/2016 Peng D13/137.2
- D851,597 S 6/2019 Ding
- 10,340,645 B2 * 7/2019 Wu H01R 25/006

* cited by examiner

Primary Examiner — Rhea Shields

(74) *Attorney, Agent, or Firm* — ZANIP

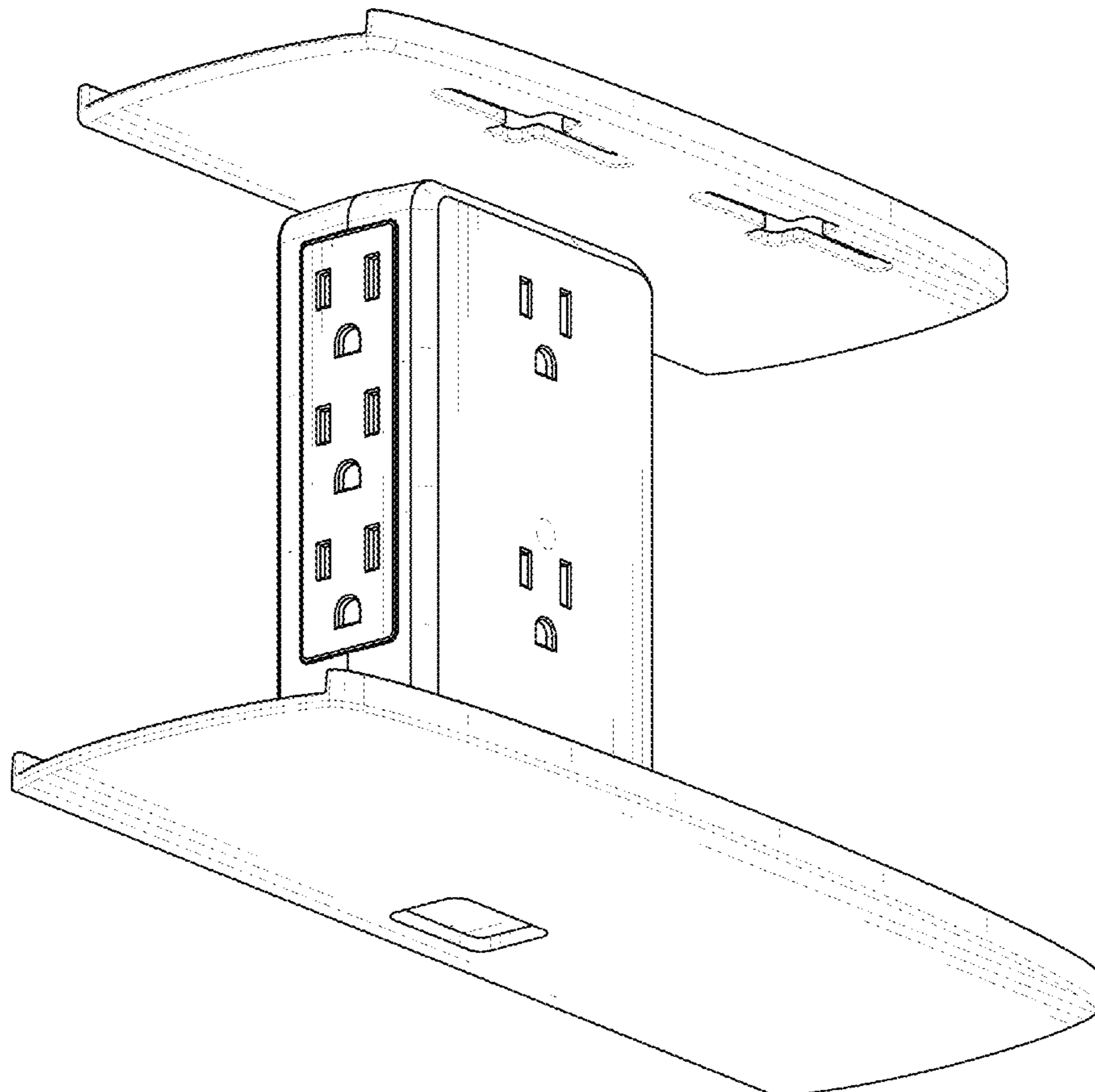
(57) **CLAIM**

The ornamental design for a socket, as shown and described.

DESCRIPTION

FIG. 1 is a front and bottom perspective view of a socket, showing my new design;
 FIG. 2 is a rear and top perspective view thereof;
 FIG. 3 is a front elevational view thereof;
 FIG. 4 is a rear elevational view thereof;
 FIG. 5 is a left side elevational view thereof;
 FIG. 6 is a right side elevational view thereof;
 FIG. 7 is a top plan view thereof; and,
 FIG. 8 is a bottom plan view thereof.
 The broken lines in the figures illustrate portions of the socket that form no part of the claimed design.

1 Claim, 8 Drawing Sheets



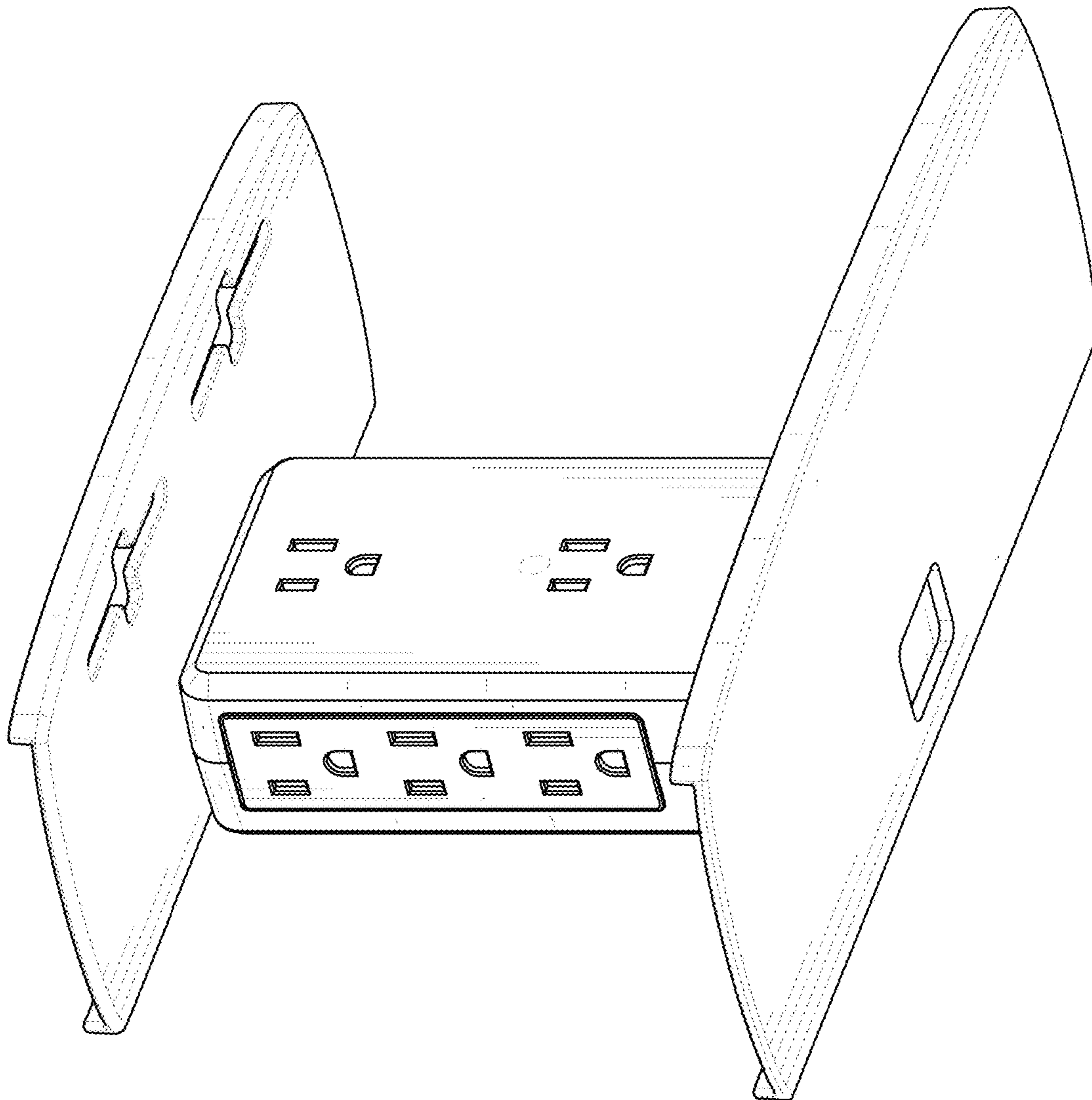


FIG.1

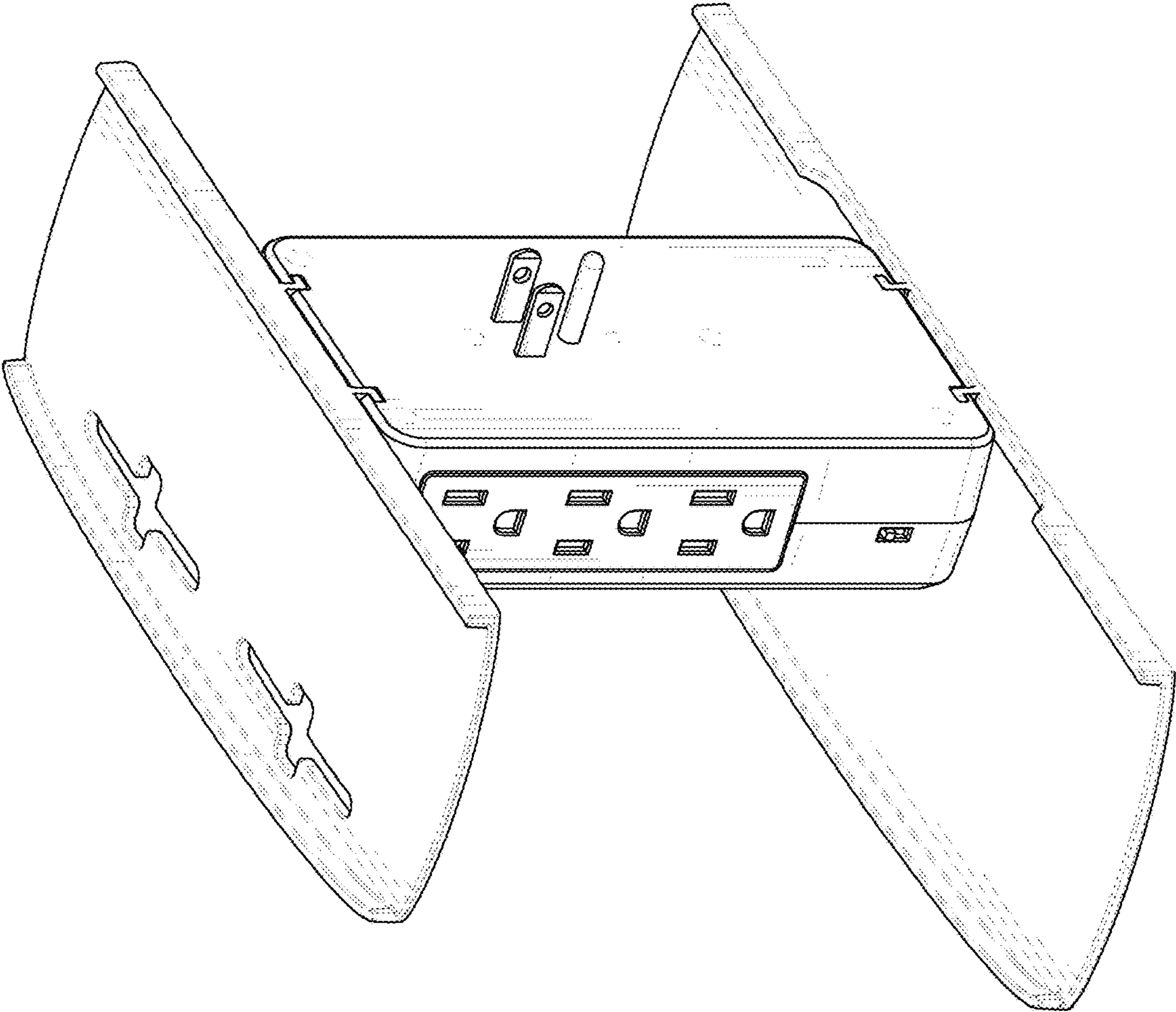


FIG.2

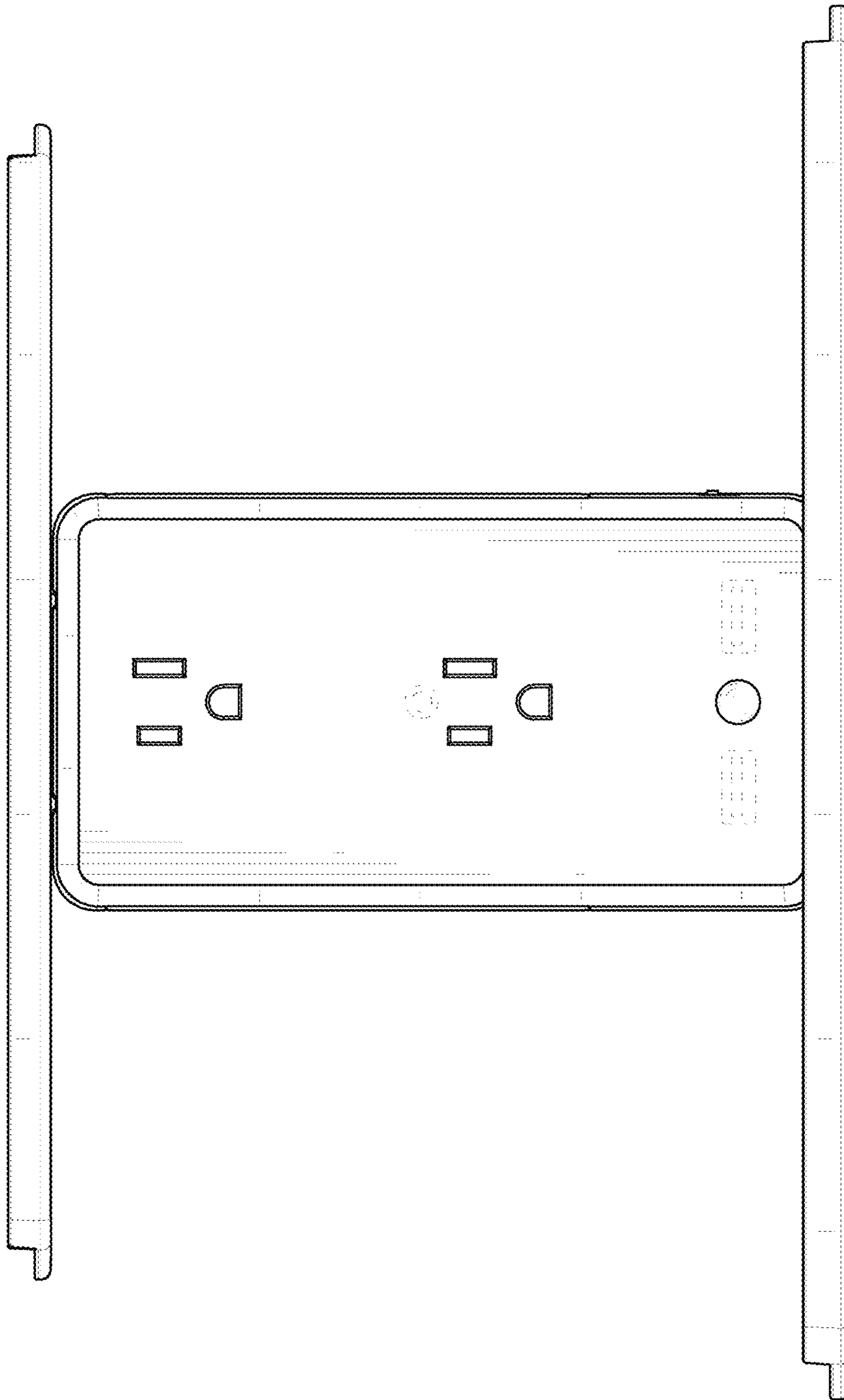


FIG.3

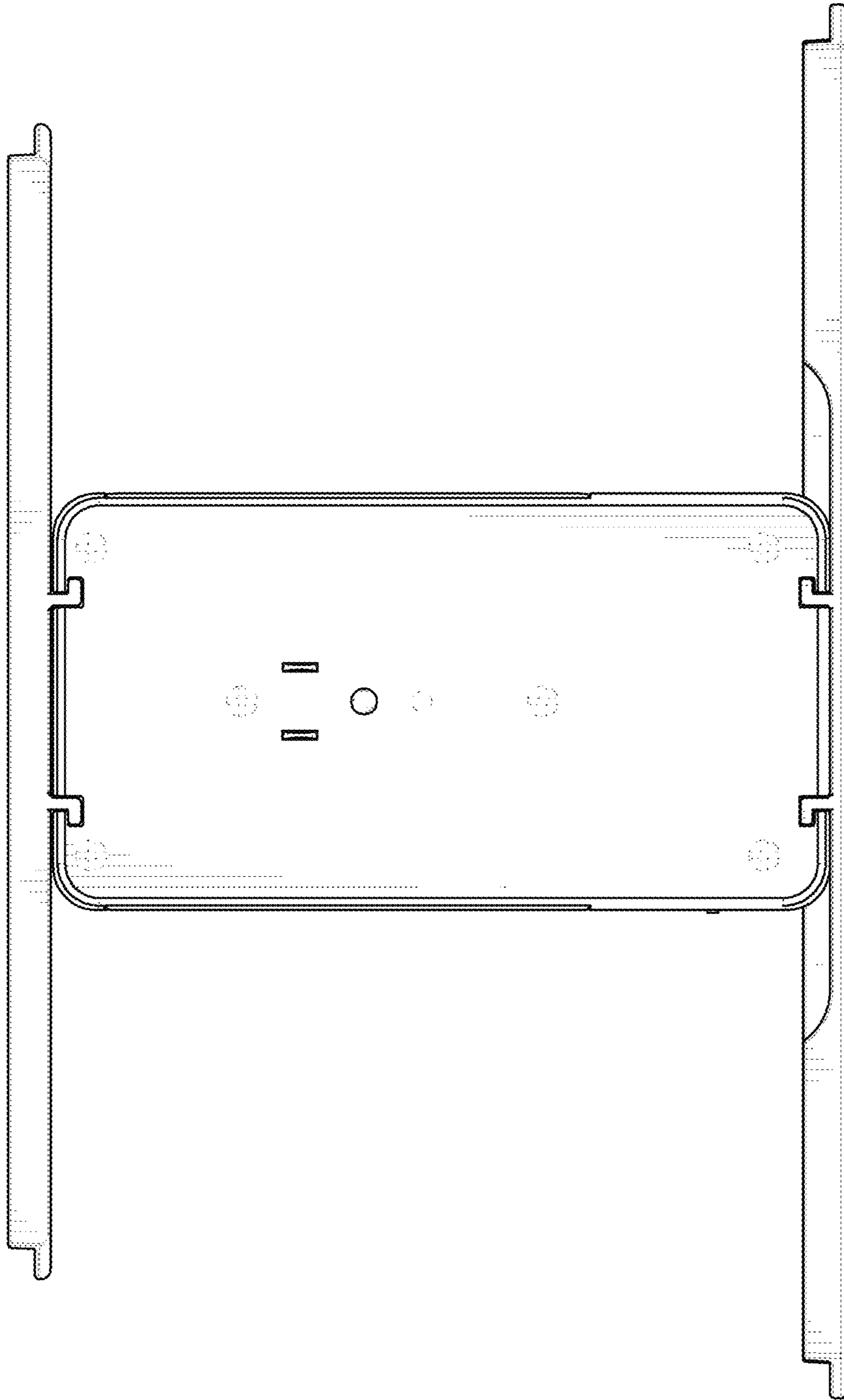


FIG.4

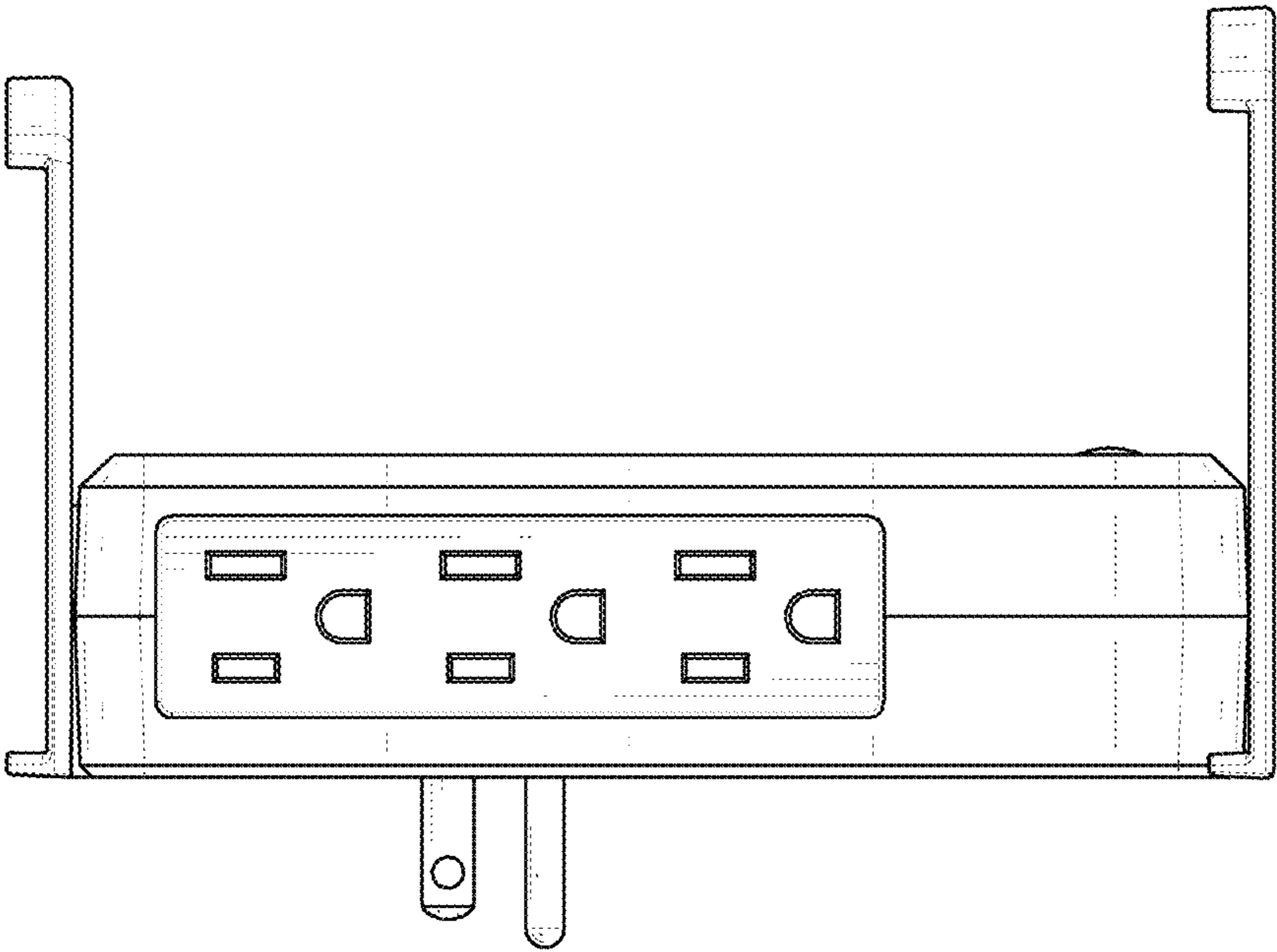


FIG. 5

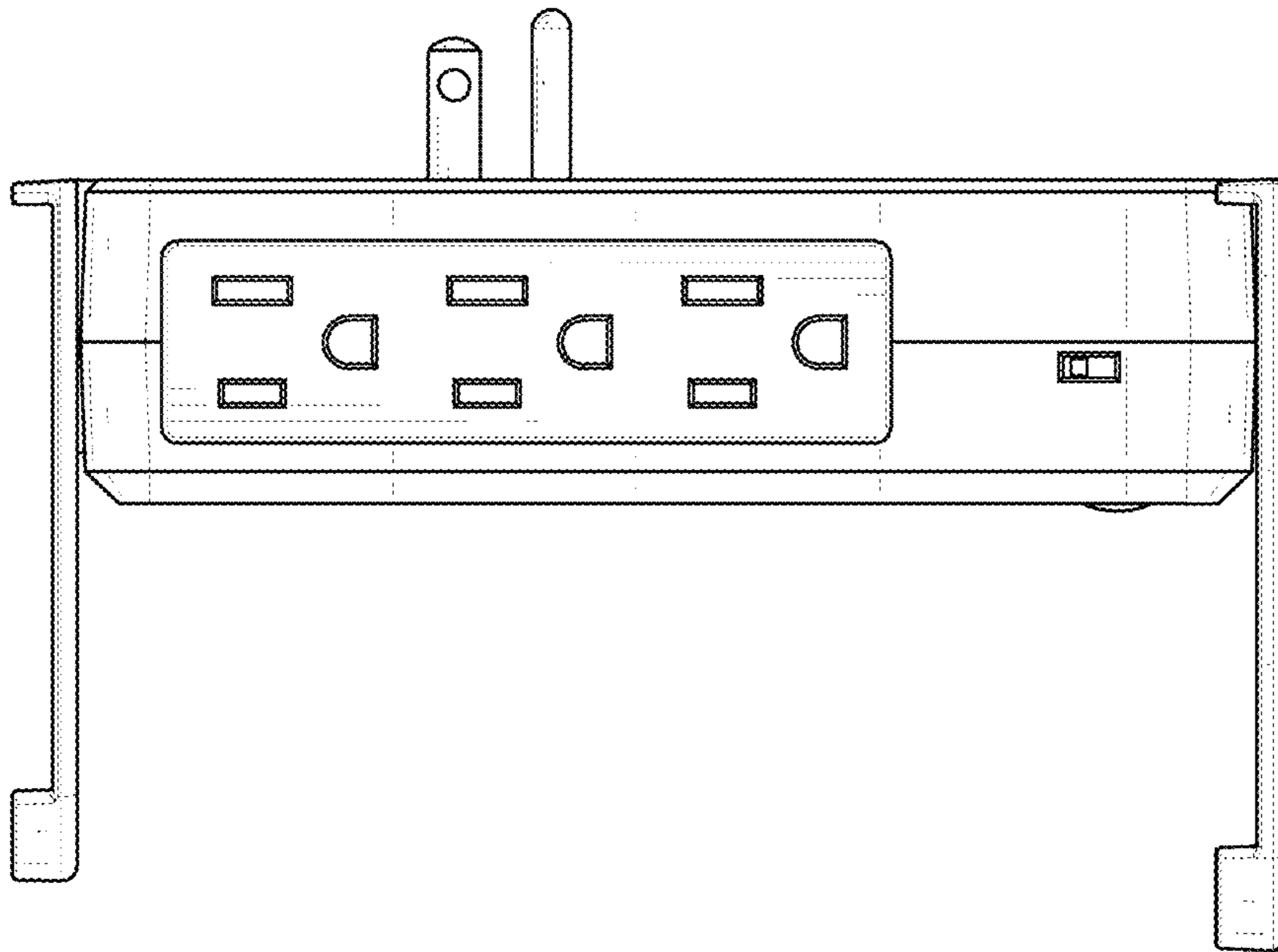


FIG.6

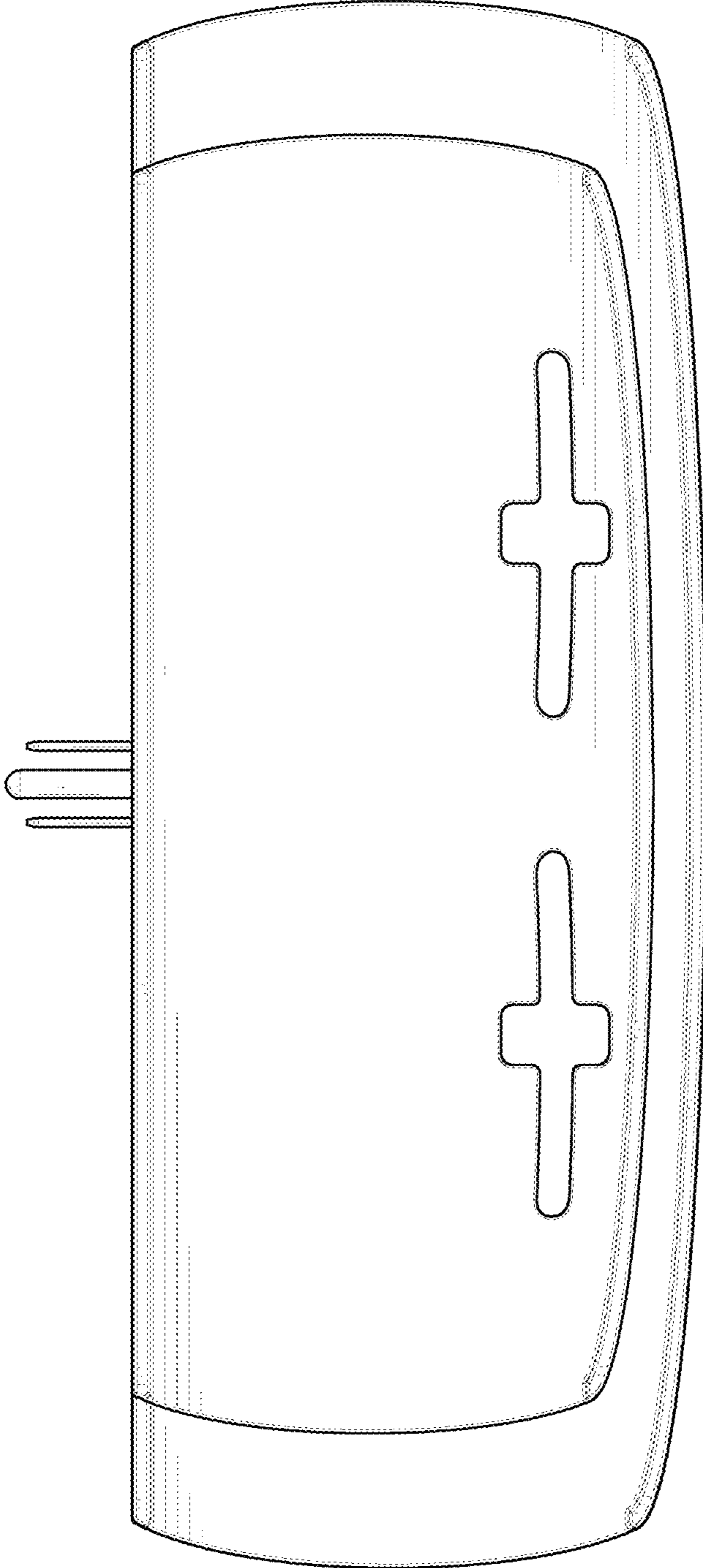


FIG. 7

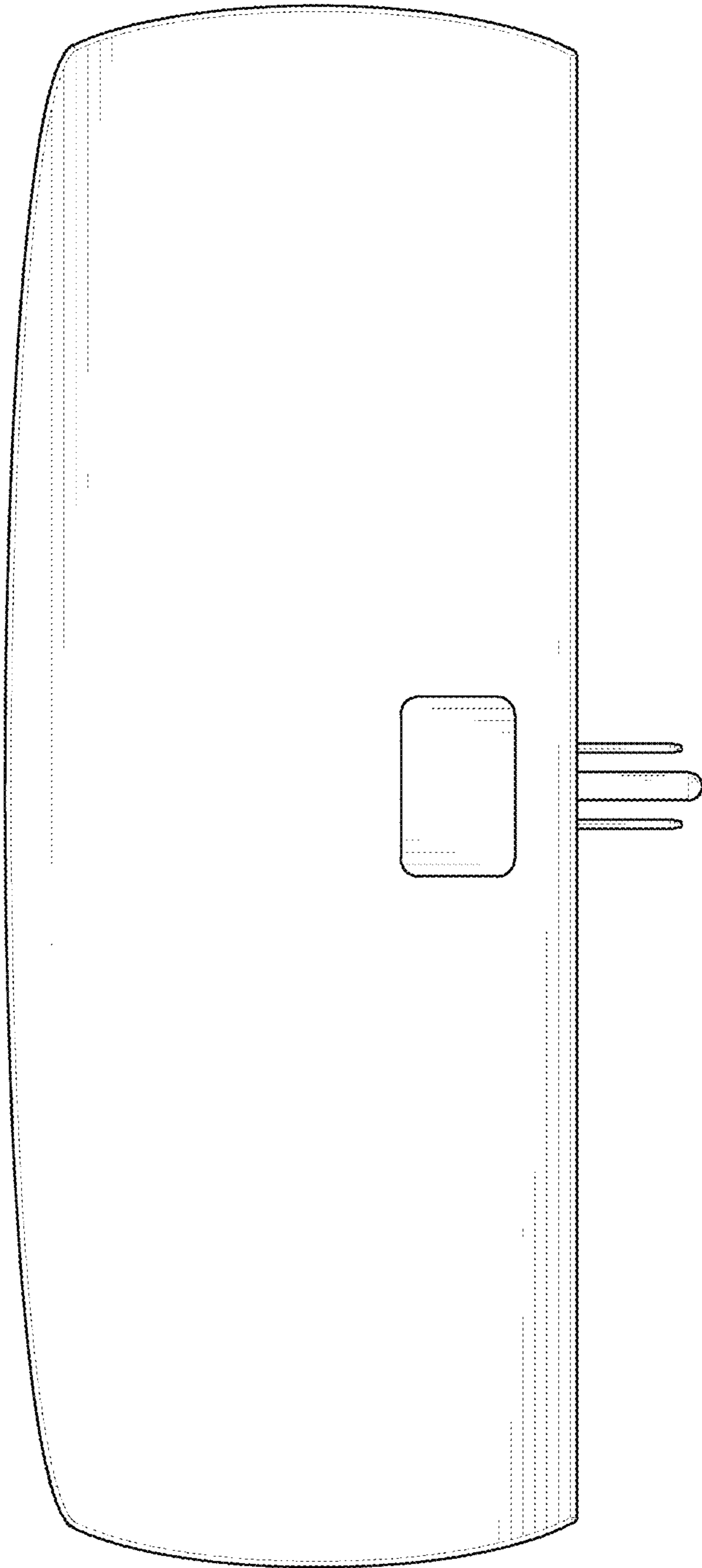


FIG. 8