



US00D886061S

(12) **United States Design Patent**
Wang

(10) **Patent No.:** **US D886,061 S**
(45) **Date of Patent:** **** Jun. 2, 2020**

(54) **RECEPTACLE CONNECTOR USED FOR POWER TRANSMISSION**

D678,564 S * 3/2013 Janssen D26/28
D745,467 S * 12/2015 Farnum D13/156
D745,469 S * 12/2015 Farnum D13/156
D796,514 S * 9/2017 Xu D14/433

(71) Applicant: **FOXCONN INTERCONNECT TECHNOLOGY LIMITED**, Grand Cayman (KY)

(Continued)

FOREIGN PATENT DOCUMENTS

(72) Inventor: **Qiang Wang**, Kunshan (CN)

TW D169739 4/2014
TW D174716 4/2016

(73) Assignee: **FOXCONN INTERCONNECT TECHNOLOGY LIMITED**, Grand Cayman (KY)

OTHER PUBLICATIONS

(**) Term: **15 Years**

GlobTek Inc. Magnetic Connector offers sleek looks . . . , dated Mar. 12, 2019, [online], [site visited Sep. 12, 2019]. Available from Internet, URL: <https://en.globtek.com/news/magnetic-connector-offers-sleek-looks-excellent-connectivity-easy-mating-and-ingress-protection> (Year: 2019).*

(21) Appl. No.: **29/609,716**

(Continued)

(22) Filed: **Jul. 5, 2017**

(30) **Foreign Application Priority Data**

Primary Examiner — Angela J Lee

Jan. 5, 2017 (CN) 2017 3 0003300
Feb. 16, 2017 (CN) 2017 3 0041130

Assistant Examiner — Shawn T Gingrich

(51) **LOC (12) Cl.** **13-03**

(74) *Attorney, Agent, or Firm* — Wei Te Chung; Ming Chieh Chang

(52) **U.S. Cl.**
USPC **D13/133**

(57) **CLAIM**

(58) **Field of Classification Search**
USPC D13/107, 110, 112, 118, 120, 123, 133,
D13/146, 147, 154, 173, 184, 199
CPC H01R 12/00; H01R 13/00; H01R 13/04;
H01R 13/11; H01R 13/44; H01R 13/62;
H01R 13/627; H01R 13/64; H01R
13/641; H01R 13/648; H01R 24/00;
H01R 25/00

The ornamental design for a receptacle connector used for power transmission, as shown and described.

See application file for complete search history.

DESCRIPTION

(56) **References Cited**

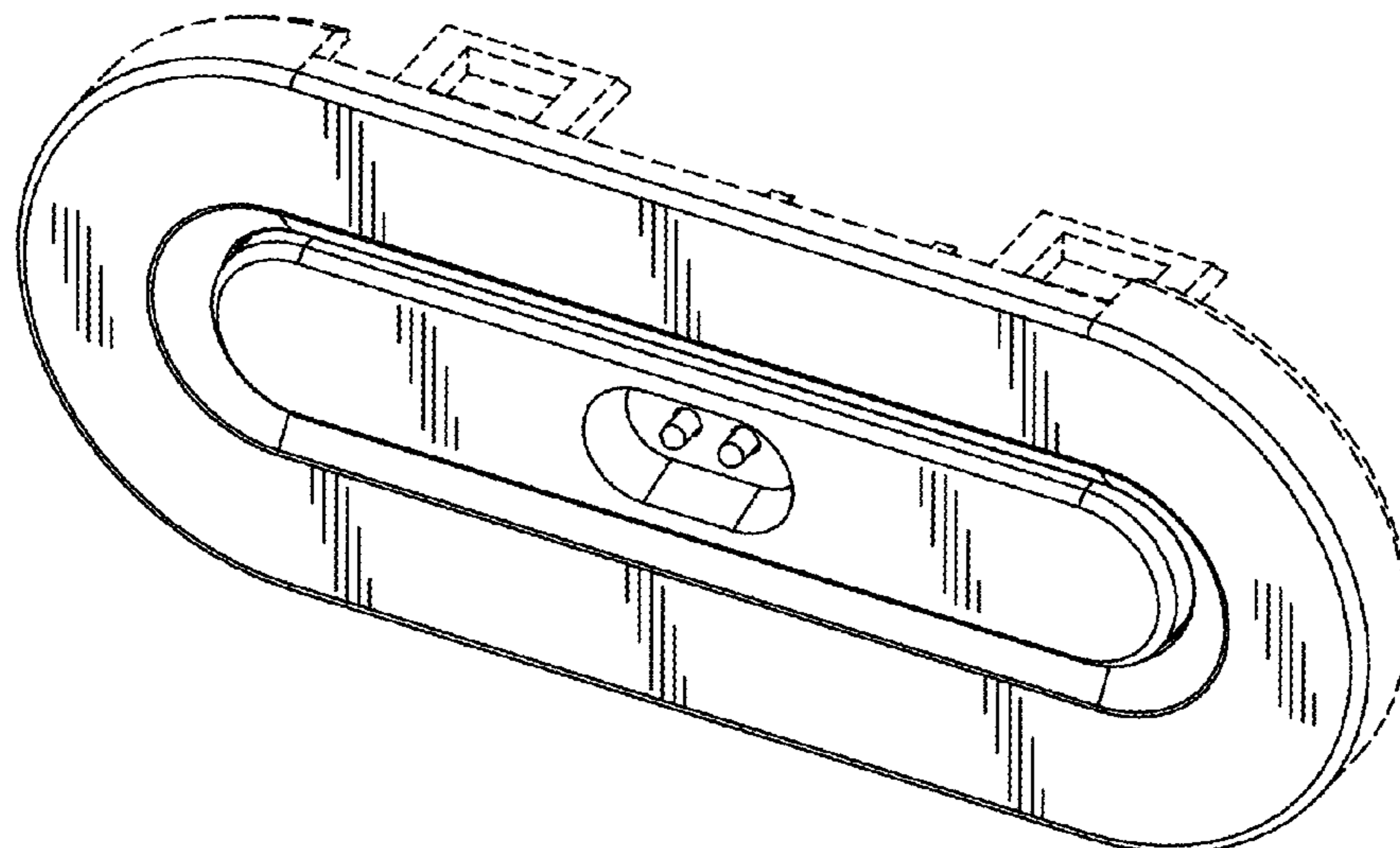
FIG. 1 is a perspective view of a receptacle connector used for power transmission showing my new design; FIG. 2 is a front elevational view thereof; FIG. 3 is a left side elevational view thereof; FIG. 4 is a right side elevational view thereof; FIG. 5 is a top plan view thereof; and, FIG. 6 is a bottom plan view thereof.

U.S. PATENT DOCUMENTS

The broken lines in the drawing figures are used for the purposes of illustrating portions of the receptacle connector used for power transmission that form no part of the claimed design.

D415,467 S * 10/1999 Starkey D13/133
D552,034 S * 10/2007 Hobson D13/133
D563,003 S * 2/2008 Aleksjew D26/37
D596,573 S * 7/2009 Lai D13/147

1 Claim, 6 Drawing Sheets



(56)

References Cited

U.S. PATENT DOCUMENTS

D835,033 S * 12/2018 Sorias D13/108
D845,240 S * 4/2019 Chen D13/133
10,333,249 B1 * 6/2019 Wang H01R 13/6205
D853,969 S * 7/2019 Huang D13/147
10,396,494 B2 * 8/2019 Little
10,396,502 B2 * 8/2019 Tian
D861,611 S * 10/2019 Wang D13/133
D870,049 S * 12/2019 Morita D13/147
2010/0157596 A1 * 6/2010 Wen F21V 31/005
362/235
2017/0256881 A1 * 9/2017 Lambie H01R 13/5219
2018/0375271 A1 * 12/2018 Powers H01R 31/06

OTHER PUBLICATIONS

CLE Manufacturer of Magnetic connector, dated Sep. 29, 2017, [online], [site visited Sep. 12, 2019]. Available from Internet, URL:<https://cletk.com/> (Year: 2017).*

Top-Link 2PIN Magnetic connector, dated Oct. 26, 2017, [online], [site visited Sep. 12, 2019]. Available from Internet, URL:<http://www.hktop-link.com/product/2pin-magnetic-connector.html> (Year: 2107).*

* cited by examiner

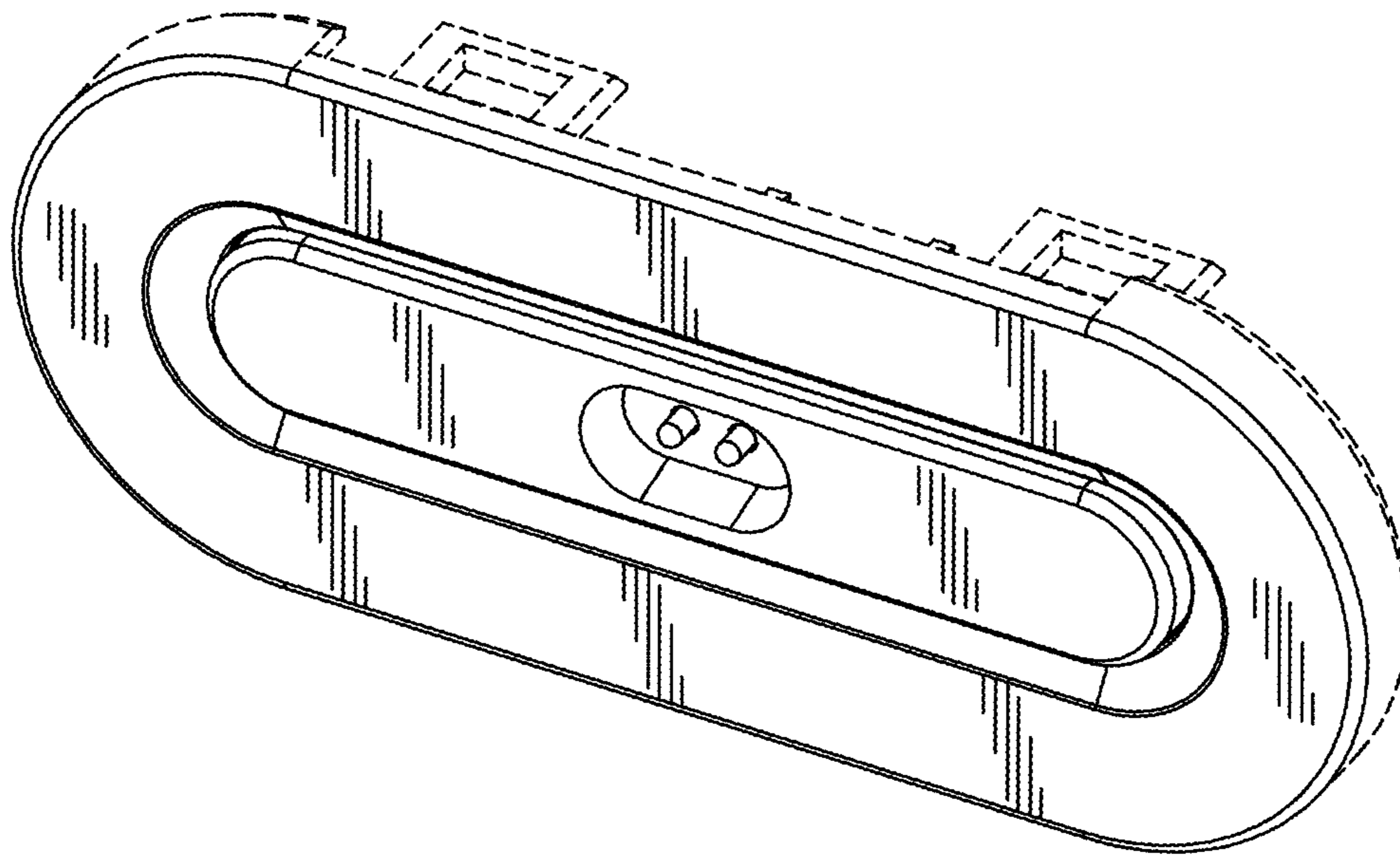


FIG. 1

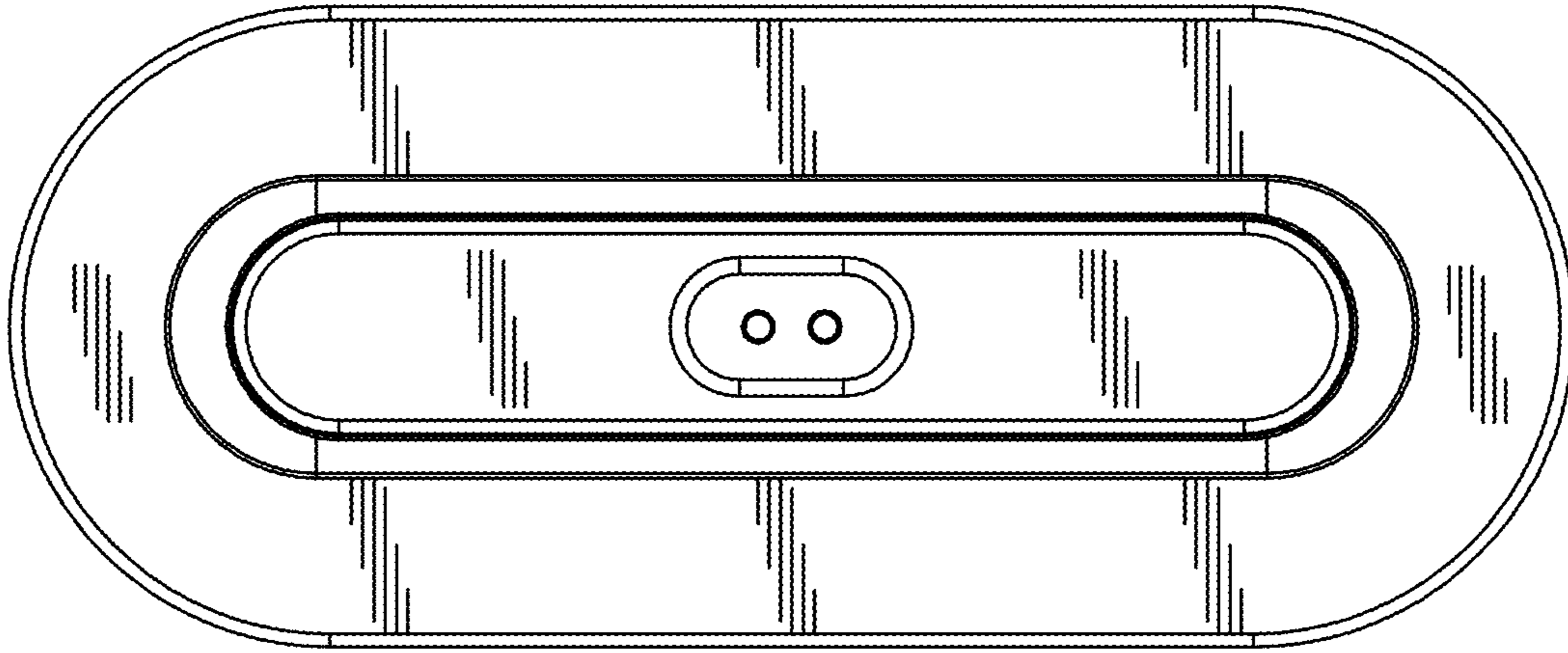


FIG. 2

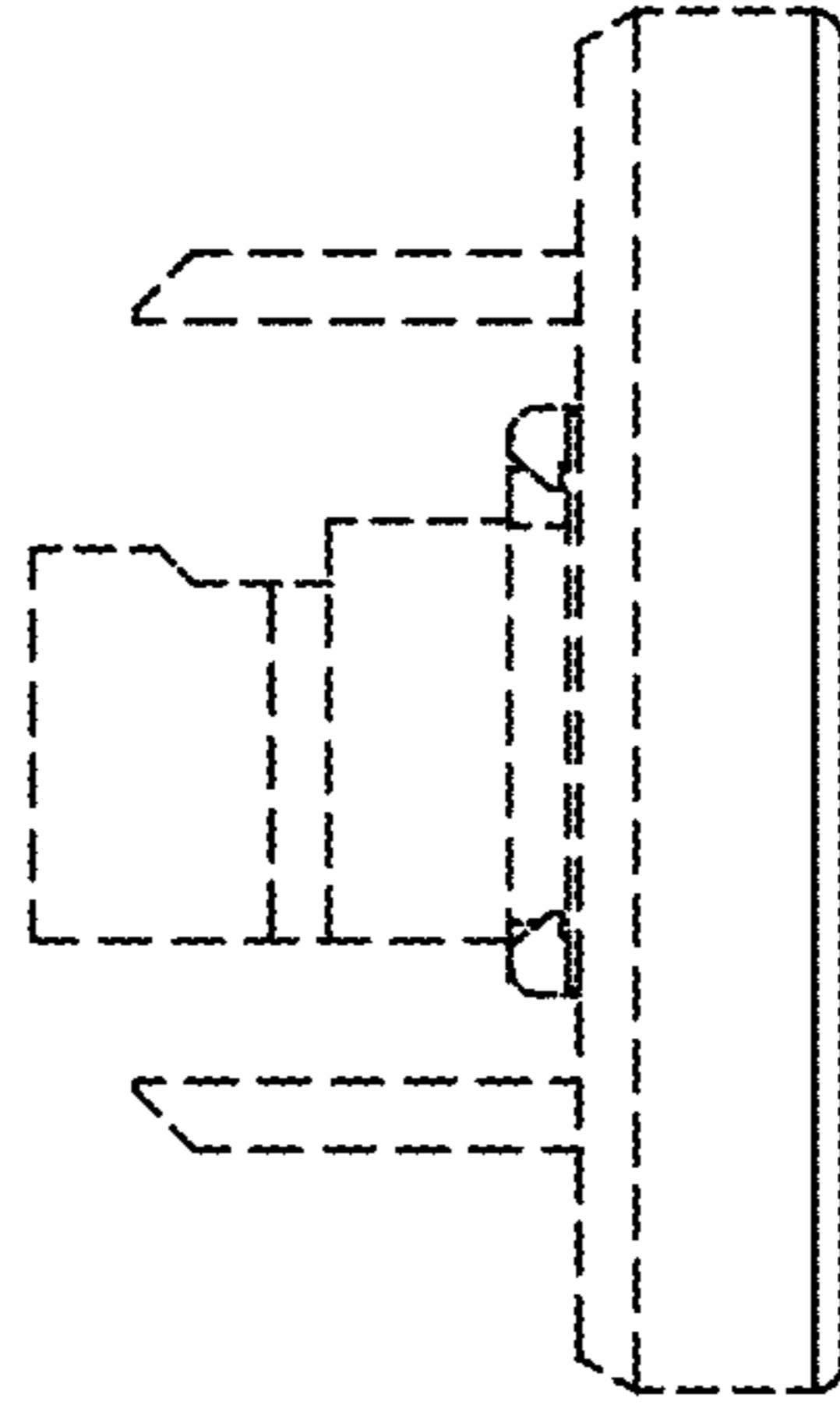


FIG. 3

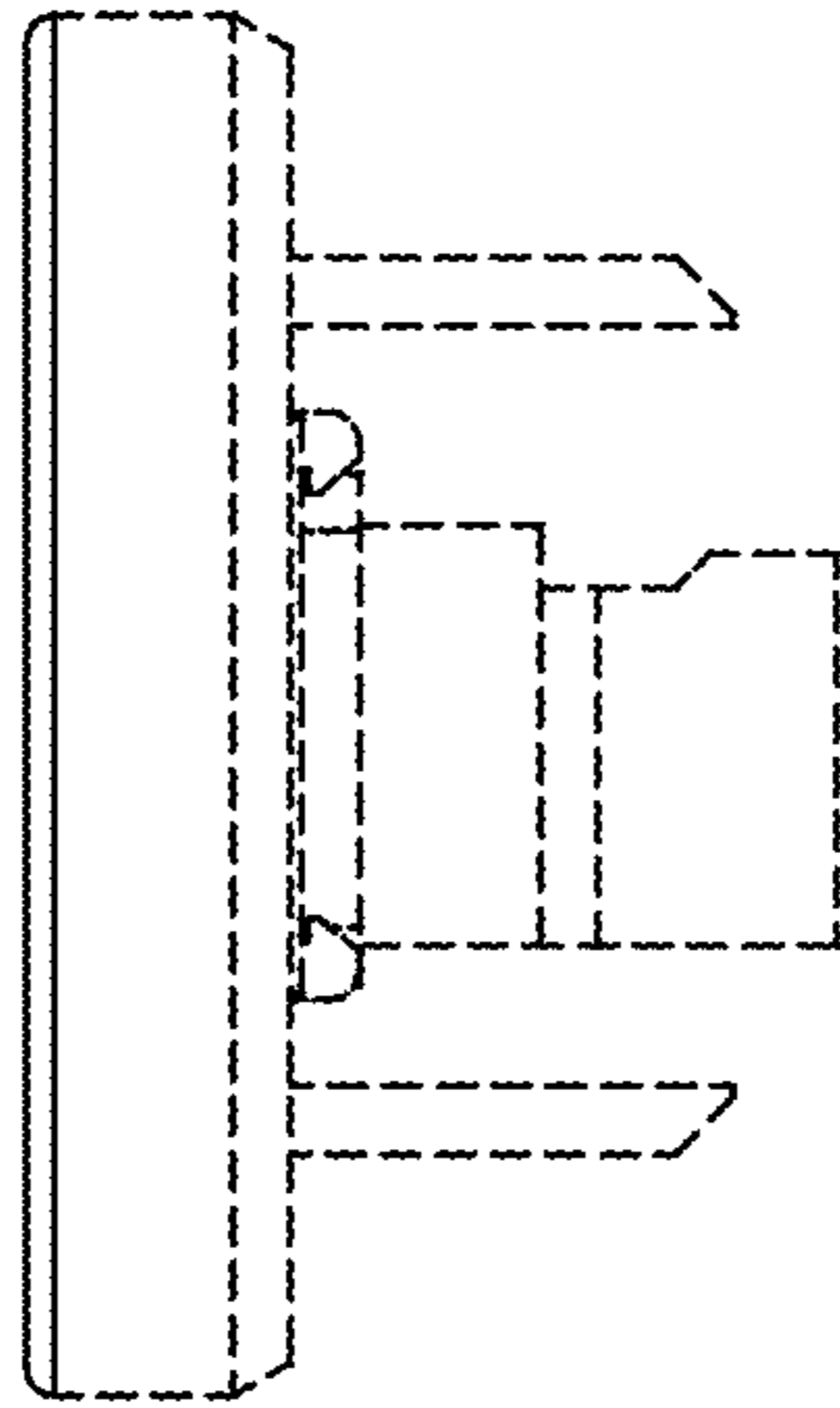


FIG. 4

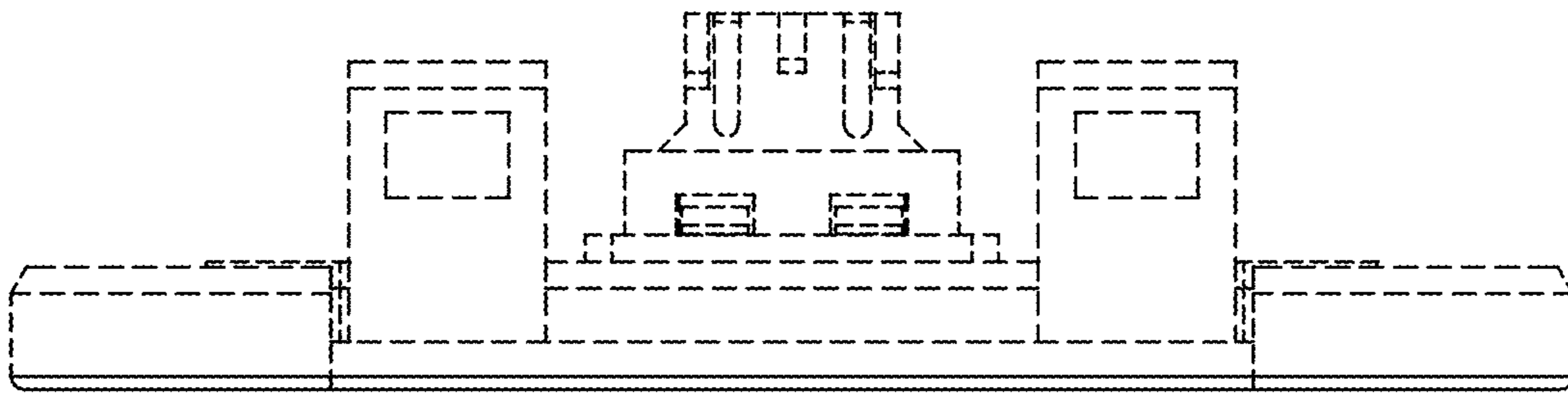


FIG. 5

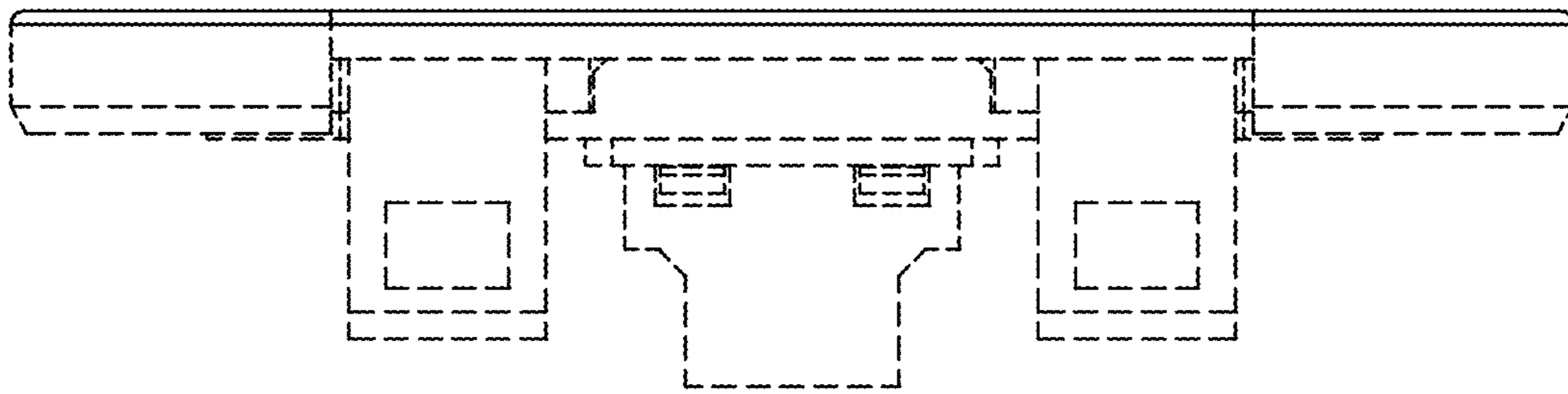


FIG. 6