



US00D886058S

(12) **United States Design Patent**  
**Yoon**

(10) **Patent No.:** **US D886,058 S**

(45) **Date of Patent:** **\*\* Jun. 2, 2020**

(54) **CHARGER FOR MOBILE DEVICE**

(71) Applicant: **SPIGEN KOREA CO., LTD.**, Seoul (KR)

(72) Inventor: **Taesung Yoon**, Seoul (KR)

(73) Assignee: **Spigen Korea CO., LTD.**, Seoul (KR)

(\*\*) Term: **15 Years**

(21) Appl. No.: **29/699,468**

(22) Filed: **Jul. 25, 2019**

**Related U.S. Application Data**

(63) Continuation of application No. 29/668,789, filed on Nov. 1, 2018, now Pat. No. Des. 856,926.

(51) **LOC (12) Cl.** ..... **13-02**

(52) **U.S. Cl.**  
USPC ..... **D13/108**

(58) **Field of Classification Search**

USPC ..... D13/107-110, 118-119, 184; D14/251, D14/253, 432, 434

CPC ..... Y02E 60/12; Y02T 90/14; Y02T 90/122; Y02T 90/128; Y02T 90/163; Y02T 10/7005; Y02T 10/7088; H02J 7/025; H02J 7/0042; H02J 7/0044; H02J 7/0045; H02J 7/0003; H01F 38/14; H01R 13/6675; H01M 2/1022; H01M 2/1055; H01M 10/44; H01M 10/46; H01M 10/425; B60L 11/182

See application file for complete search history.

(56) **References Cited**

**U.S. PATENT DOCUMENTS**

D527,005 S \* 8/2006 Navarrez ..... D14/401  
D527,704 S 9/2006 Rodarte  
D611,408 S \* 3/2010 Ferber ..... D13/108  
D627,718 S 11/2010 Houghton

D634,707 S 3/2011 Hosler et al.  
D637,951 S 5/2011 Perez  
D645,818 S 9/2011 Guccione et al.  
D659,093 S 5/2012 Schmid et al.  
D672,715 S \* 12/2012 Brunner ..... D13/110  
D682,199 S \* 5/2013 Rautiainen ..... D13/108  
D694,182 S 11/2013 Lee et al.  
D700,571 S 3/2014 Guccione et al.  
D707,627 S \* 6/2014 Brunner ..... D13/110  
D718,234 S 11/2014 Rautiainen  
D718,236 S 11/2014 Murray  
D718,712 S 12/2014 Aumiller et al.  
D722,023 S \* 2/2015 Brunner ..... D13/110  
D722,962 S 2/2015 Kim et al.  
D731,967 S \* 6/2015 Tuhkanen ..... D13/108  
D735,131 S 7/2015 Akana et al.  
D736,706 S \* 8/2015 Huang ..... D13/108  
D737,762 S 9/2015 Aumiller et al.  
D738,823 S 9/2015 Chen

(Continued)

*Primary Examiner* — Rosemary K Tarcza

(74) *Attorney, Agent, or Firm* — Heedong Chae; Lucem, PC

(57) **CLAIM**

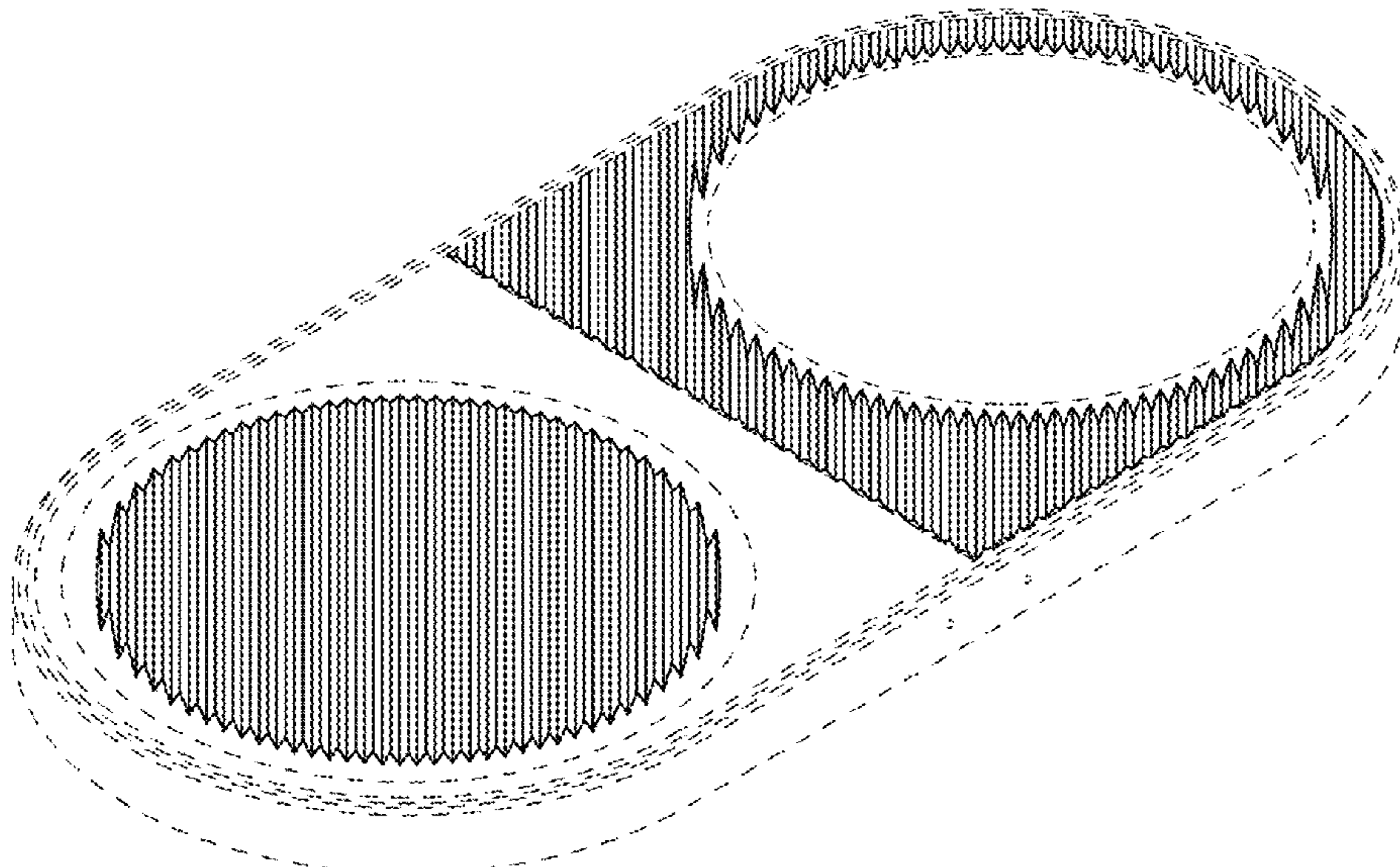
The ornamental design for a charger for mobile device, as shown and described.

**DESCRIPTION**

FIG. 1 is a front perspective view of the charger for mobile device showing my new design;  
FIG. 2 is a rear perspective view thereof;  
FIG. 3 is a front elevational view thereof;  
FIG. 4 is a rear elevational view thereof;  
FIG. 5 is a left side elevational view thereof;  
FIG. 6 is a right side elevational view thereof;  
FIG. 7 is a top plan view thereof; and,  
FIG. 8 is a bottom plan view thereof.

The broken lines throughout the drawing figures depict portions of the charger for mobile device that form no part of the claimed design.

**1 Claim, 8 Drawing Sheets**



(56)

References Cited

U.S. PATENT DOCUMENTS

D740,750 S	10/2015	Mayden et al.	
D741,256 S	10/2015	Murphy-Reinhertz et al.	
D747,267 S	1/2016	Aumiller et al.	
D768,589 S	10/2016	Shin	
D772,813 S	11/2016	Wahl	
D774,455 S	12/2016	Kim et al.	
D777,103 S	1/2017	Park	
D782,415 S *	3/2017	Zhang .....	D13/108
D782,973 S	4/2017	Zhou	
D784,259 S	4/2017	Huang et al.	
D786,193 S	5/2017	Akana et al.	
D786,791 S	5/2017	Jeong et al.	
D793,958 S	8/2017	Rautiainen	
D794,557 S	8/2017	Kim	
D795,182 S	8/2017	Akana et al.	
D796,355 S	9/2017	Cho et al.	
D797,041 S *	9/2017	Meyerhoffer .....	D13/107
D798,807 S	10/2017	Shi et al.	
D806,020 S	12/2017	Lu	
D810,015 S	2/2018	Carreon et al.	
D812,556 S *	3/2018	Xu .....	D13/103
D812,577 S	3/2018	Turksu et al.	
D813,806 S *	3/2018	Ito .....	D13/108
D815,091 S *	4/2018	Nguyen .....	D14/356
D826,151 S *	8/2018	Akana .....	D13/108
D827,568 S *	9/2018	Turksu .....	D13/108
10,181,759 B2 *	1/2019	Chopra .....	H01F 38/14
D842,805 S *	3/2019	Kato .....	D13/108
D847,741 S *	5/2019	Hu .....	D13/108
D849,683 S *	5/2019	Lee .....	D13/108
D850,370 S *	6/2019	Lee .....	D13/108
D856,926 S *	8/2019	Yoon .....	D13/108

\* cited by examiner

FIG. 1

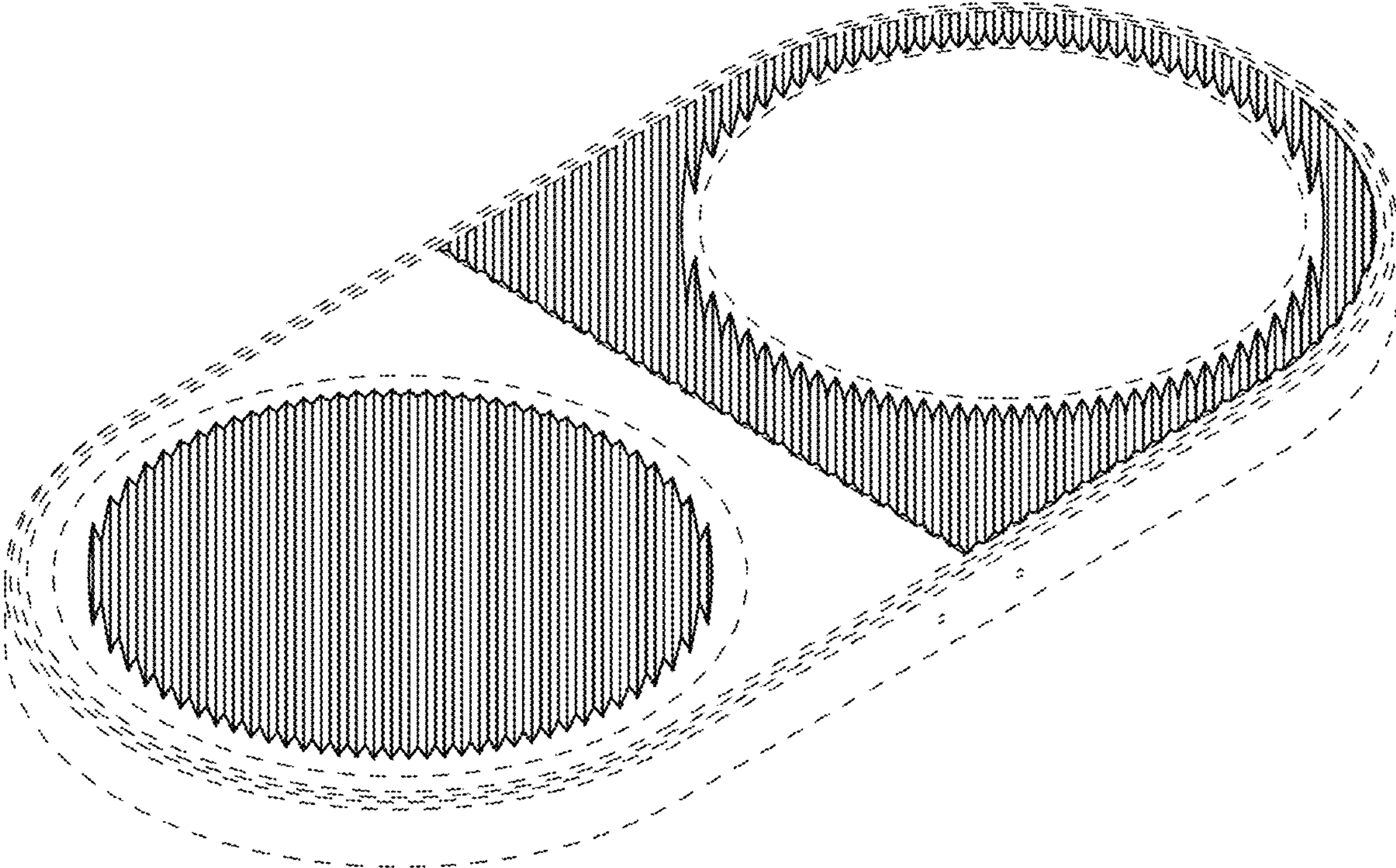




FIG. 2

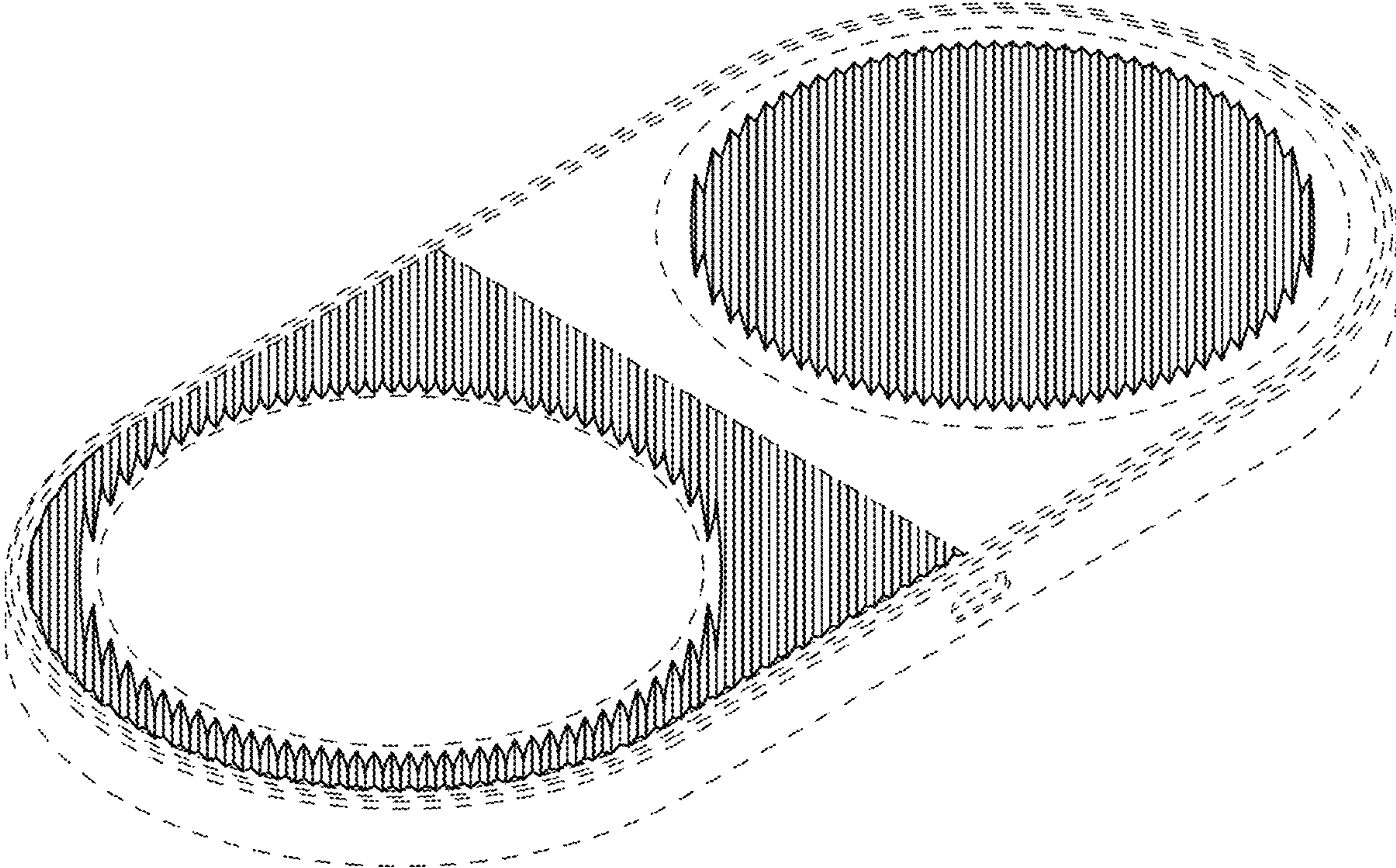


FIG. 3



FIG. 4



FIG. 5



FIG. 6





FIG. 7

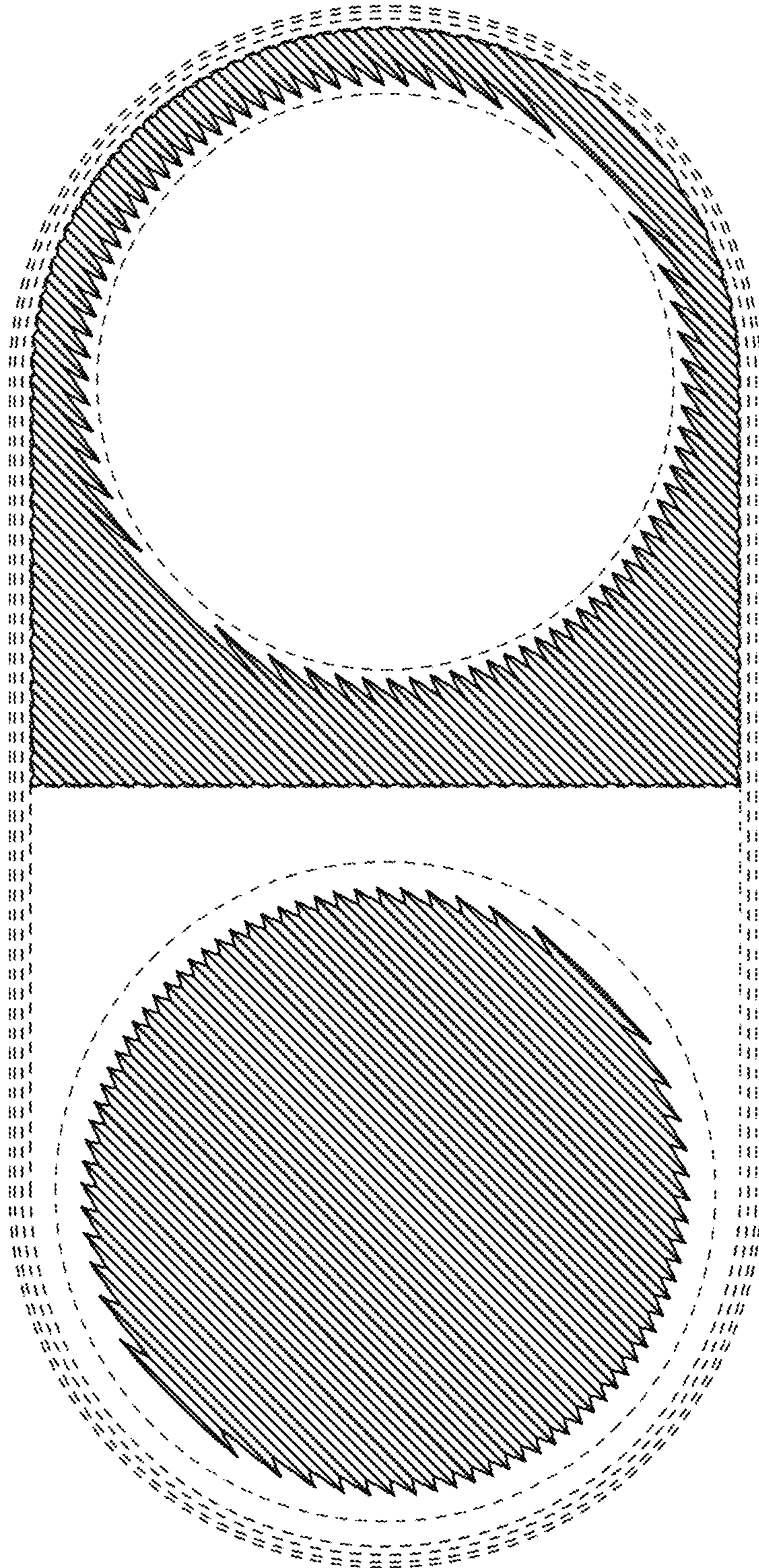


FIG. 8

