



US00D886057S

(12) **United States Design Patent**
Yum

(10) **Patent No.:** **US D886,057 S**
(45) **Date of Patent:** **** Jun. 2, 2020**

(54) **CHARGER FOR ELECTRONIC DEVICE**

D712,350 S * 9/2014 Smith D13/108
D715,804 S * 10/2014 Frenzel D14/447
D726,729 S * 4/2015 Lim D14/434

(71) Applicant: **Samsung Electronics Co., Ltd.**,
Suwon-si (KR)

(Continued)

(72) Inventor: **Sungjin Yum**, Seoul (KR)

FOREIGN PATENT DOCUMENTS

(73) Assignee: **Samsung Electronics Co., Ltd.**,
Suwon-si (KR)

WO DM/083 798 5/2015

(**) Term: **15 Years**

OTHER PUBLICATIONS

(21) Appl. No.: **29/677,544**

FanTEK. "FanTEK Charge Dock for Samsung Galaxy Tab—USB 2.0 Data Sync Transfer and Power Charger Station Cradle Work for Samsung Galaxy Tab (7.7 8.9 10.1 Inch) P1000 7.0 Plus Tab 2 (7 10.1 Inch) Note 10.1" [2014] www.amazon.com Apr. 18, 2014 <https://www.amazon.com/FanTEK-Charge-Dock-Samsung-Galaxy/dp/B00JSIFJZQ/ref=pd_sbs_107_42?_encoding=UTF8&pd_rd_i=B00JSIFJZQ&pd_rd_r=WGQK4SDSBSYPH2DBW3XT&pd_rd_w=2WDA5&pd_rd_wg=2aSox&psc=1&refRID=WGQK4SDSBSYPH2DBW3XT>.

(22) Filed: **Jan. 22, 2019**

(Continued)

(30) **Foreign Application Priority Data**

Jul. 27, 2018 (KR) 30-2018-0034900

(51) **LOC (12) Cl.** **13-02**

(52) **U.S. Cl.**
USPC **D13/108**

(58) **Field of Classification Search**
USPC D13/107–110, 118–119, 184; D14/251,
D14/253, 432, 434
CPC Y02E 60/12; Y02T 90/14; Y02T 90/122;
Y02T 90/128; Y02T 90/163; H02J 7/025;
H02J 7/0042; H02J 7/0044; H02J 7/0045;
H02J 7/0003; H01F 38/14; H01R
13/6675; H01M 2/1022; H01M 2/1055;
H01M 10/44; H01M 10/46; H01M
10/425; B60L 11/182

See application file for complete search history.

Primary Examiner — Nathaniel D. Buckner
(74) *Attorney, Agent, or Firm* — NSIP Law

(56) **References Cited**

U.S. PATENT DOCUMENTS

D574,375 S * 8/2008 Prest D14/217
D636,395 S * 4/2011 Anderson D13/107
D642,520 S * 8/2011 Chun D13/108
D657,741 S * 4/2012 Fahrendorff D13/108
D664,529 S * 7/2012 Chuang D13/108
D704,633 S * 5/2014 Ryu D13/108
D709,075 S 7/2014 Miniard

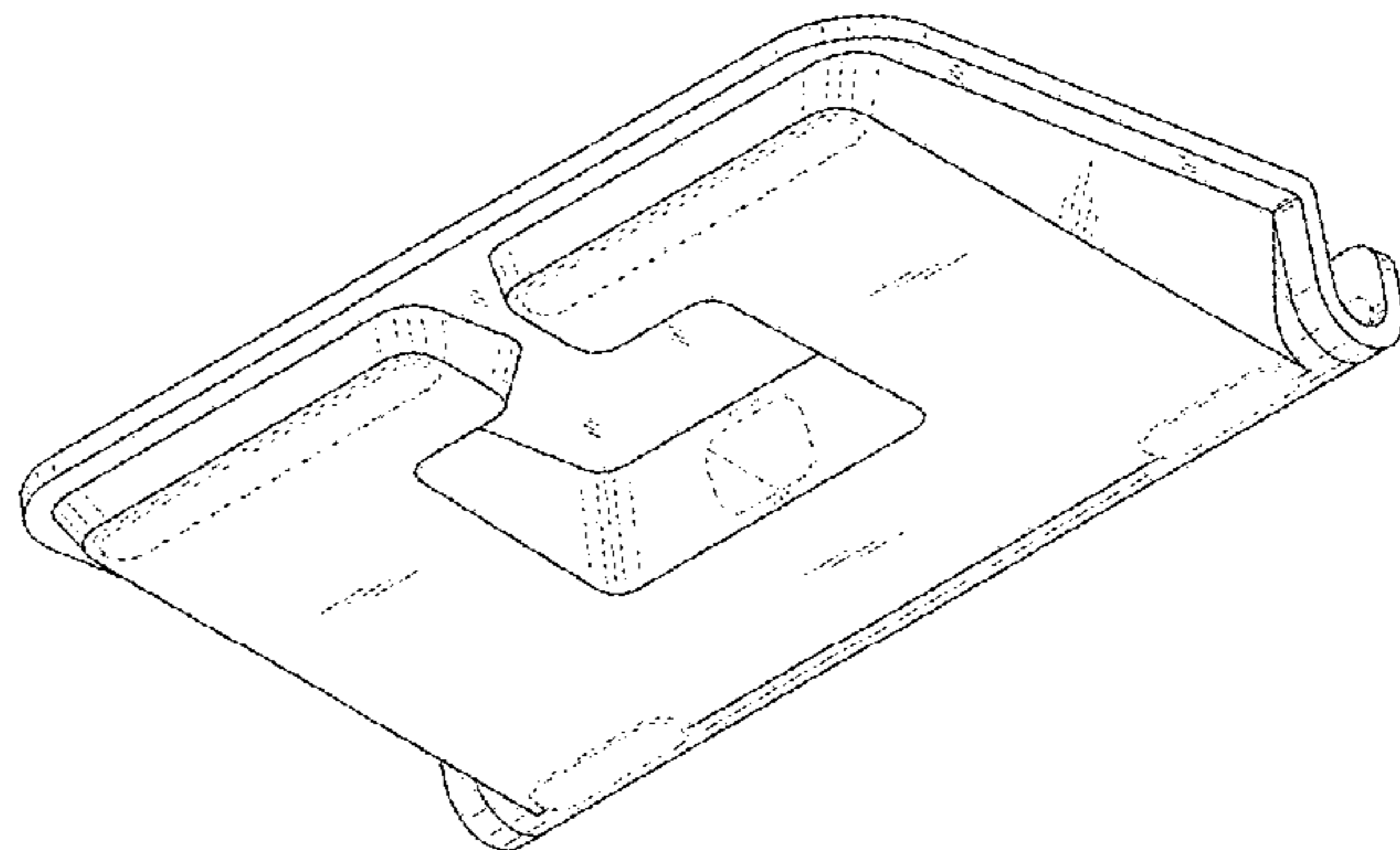
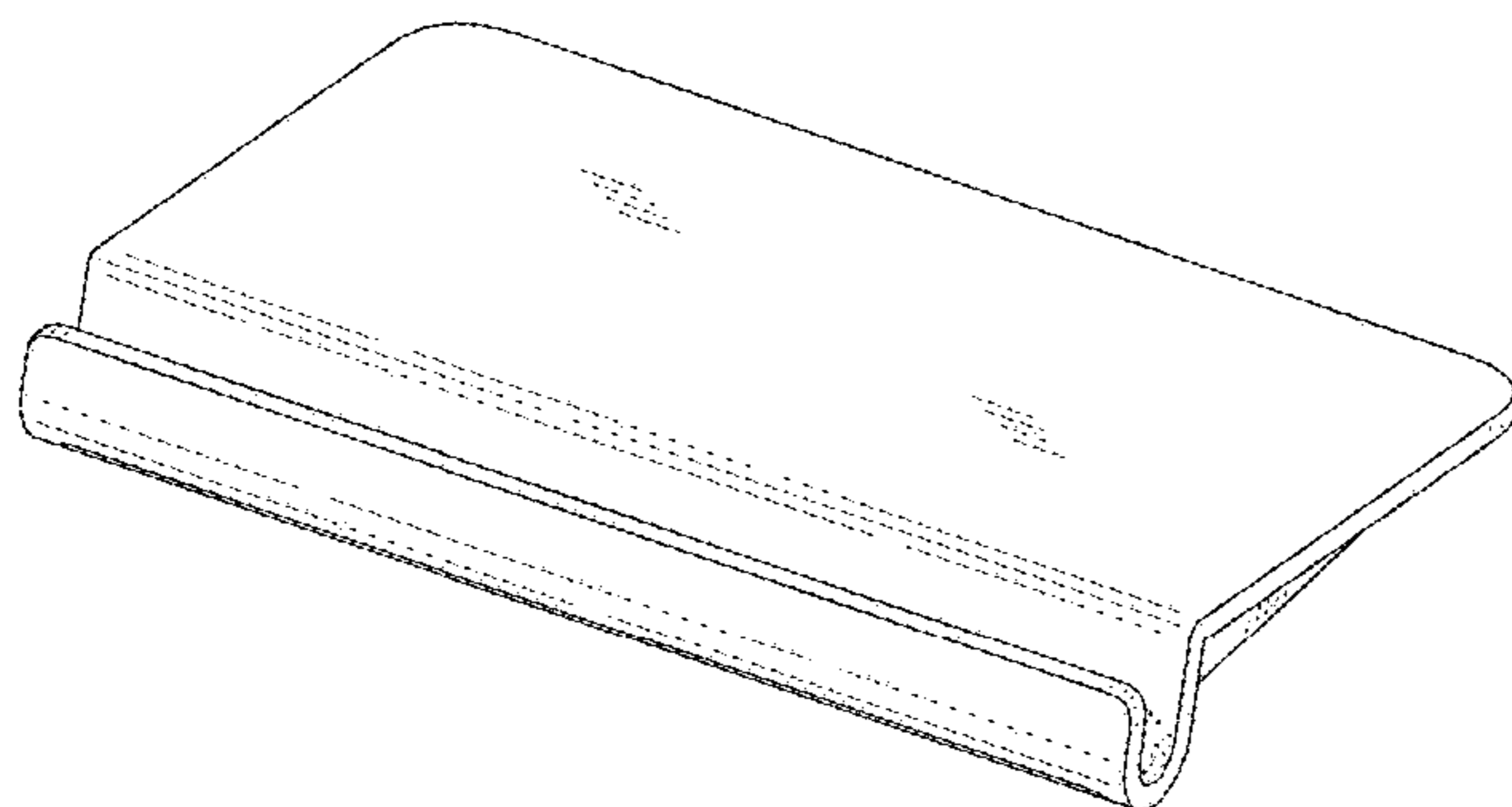
(57) **CLAIM**

I claim the ornamental design for a charger for electronic device, as shown and described.

DESCRIPTION

FIG. 1 is a front perspective view of a charger for electronic device showing my new design;
FIG. 2 is a front view thereof;
FIG. 3 is a rear view thereof;
FIG. 4 is a left-side view thereof;
FIG. 5 is a right-side view thereof;
FIG. 6 is a top view thereof;
FIG. 7 is a bottom view thereof;
FIG. 8 is a bottom perspective view thereof; and,
FIG. 9 is a front perspective view thereof in an environment of use.

(Continued)



The broken lines in the figures depict portions of the charger for electronic device which form no part of the claimed design.

1 Claim, 5 Drawing Sheets

(56) **References Cited**

U.S. PATENT DOCUMENTS

D741,336 S *	10/2015	Miniard	D14/447
D757,730 S *	5/2016	Fletcher	D14/434
D806,712 S *	1/2018	Cebe	D14/434
D872,095 S *	1/2020	Miniard	D14/447

OTHER PUBLICATIONS

Dlisten. "Dlisten Micro USB Charging Dock, Android Smartphones Desktop Stand Sync and Charger Docking Station for All Android Phones with Micro USB 2.0 (Blue)" [2017] www.amazon.com Apr. 17, 2019 <https://www.amazon.com/Dlisten-Charging-Android-Smartphones-Desktop/dp/B01M3OAIHF/ref=sr_1_92?ie=UTF8&qid=1530751363&sr=8-92&keywords=smart+docking>.

* cited by examiner

FIG.1

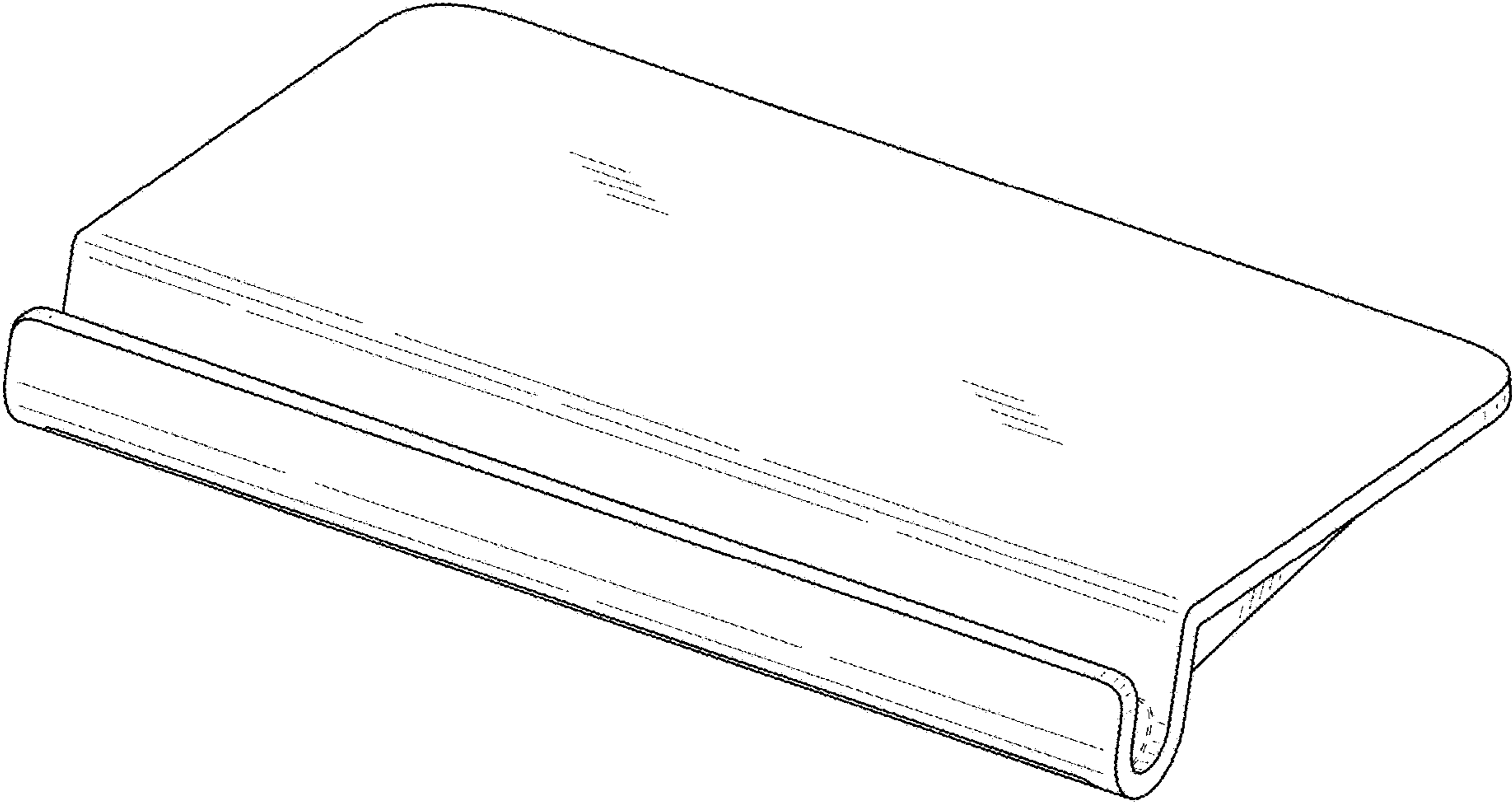


FIG.2

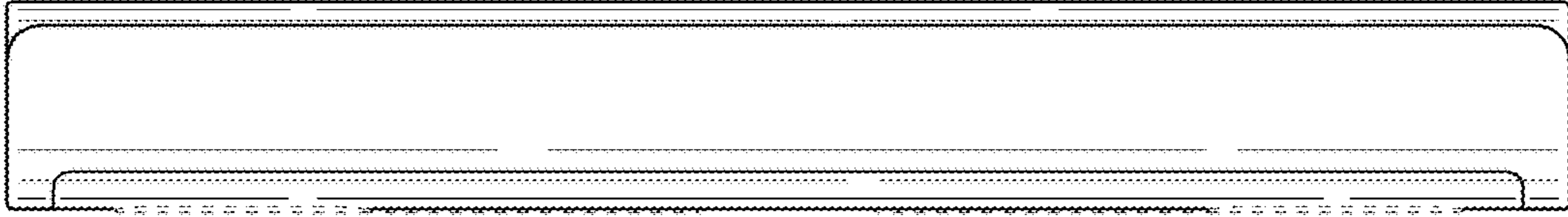


FIG.3

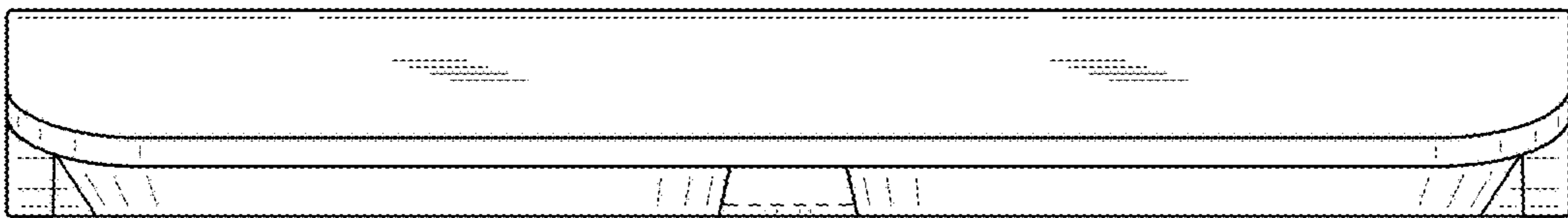


FIG.4

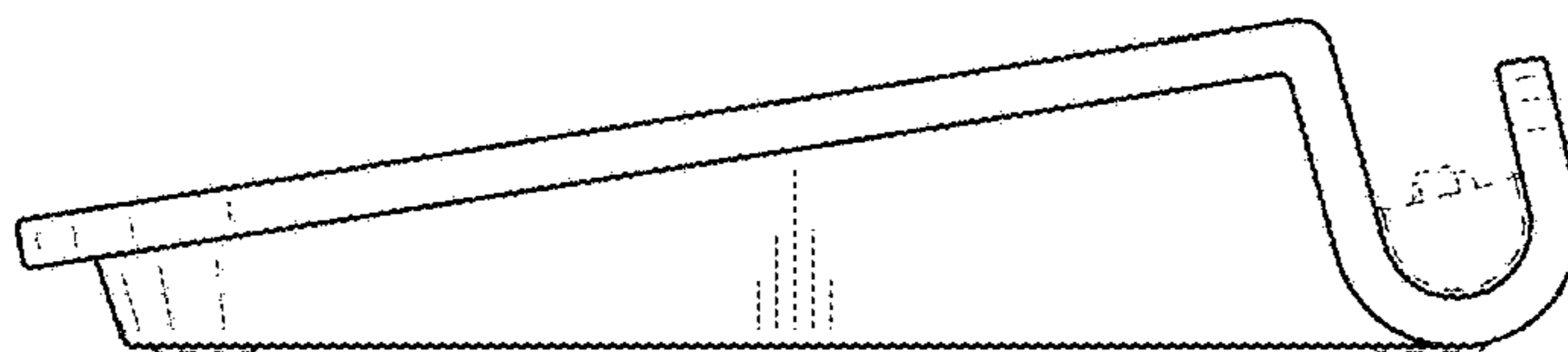


FIG.5

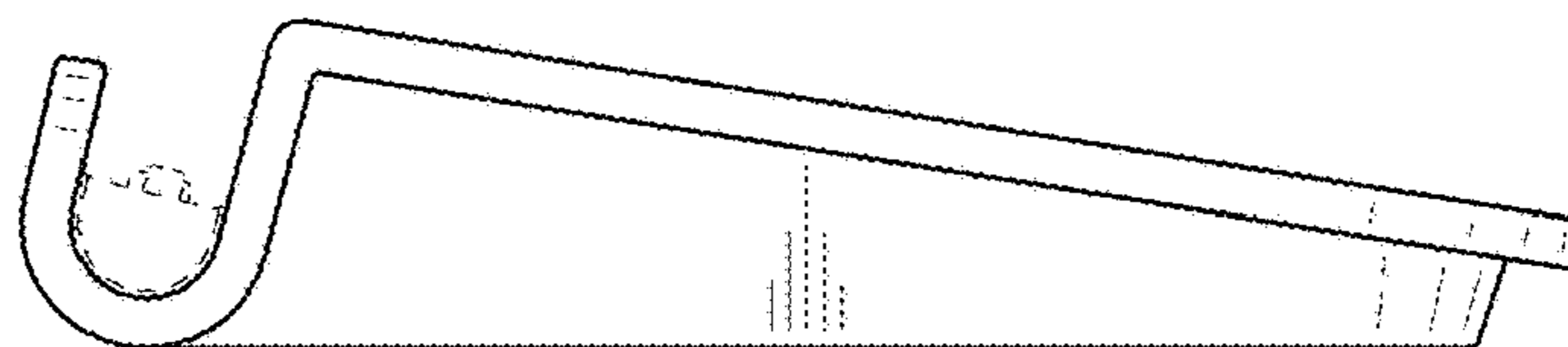


FIG.6



FIG.7

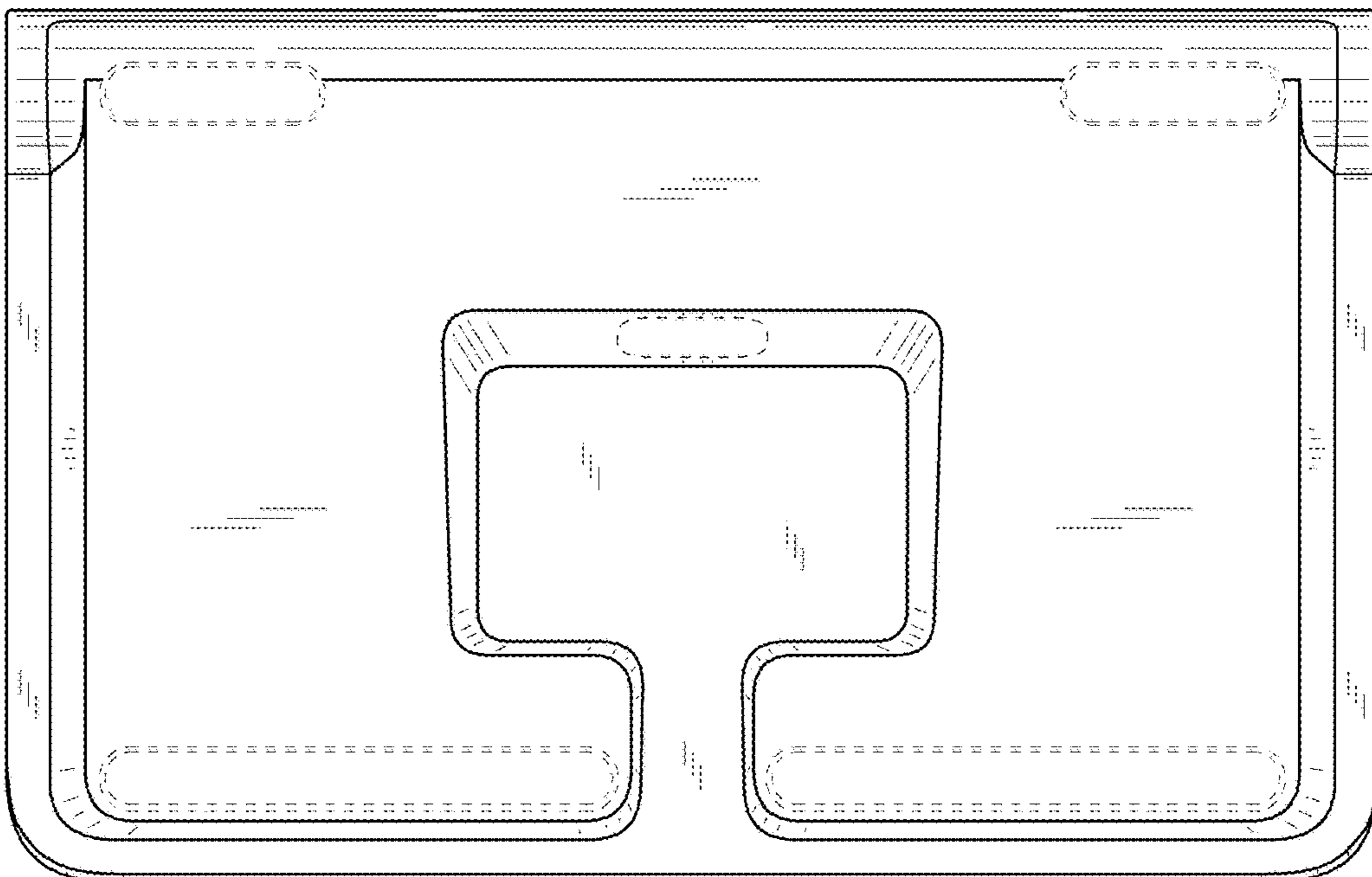


FIG.8

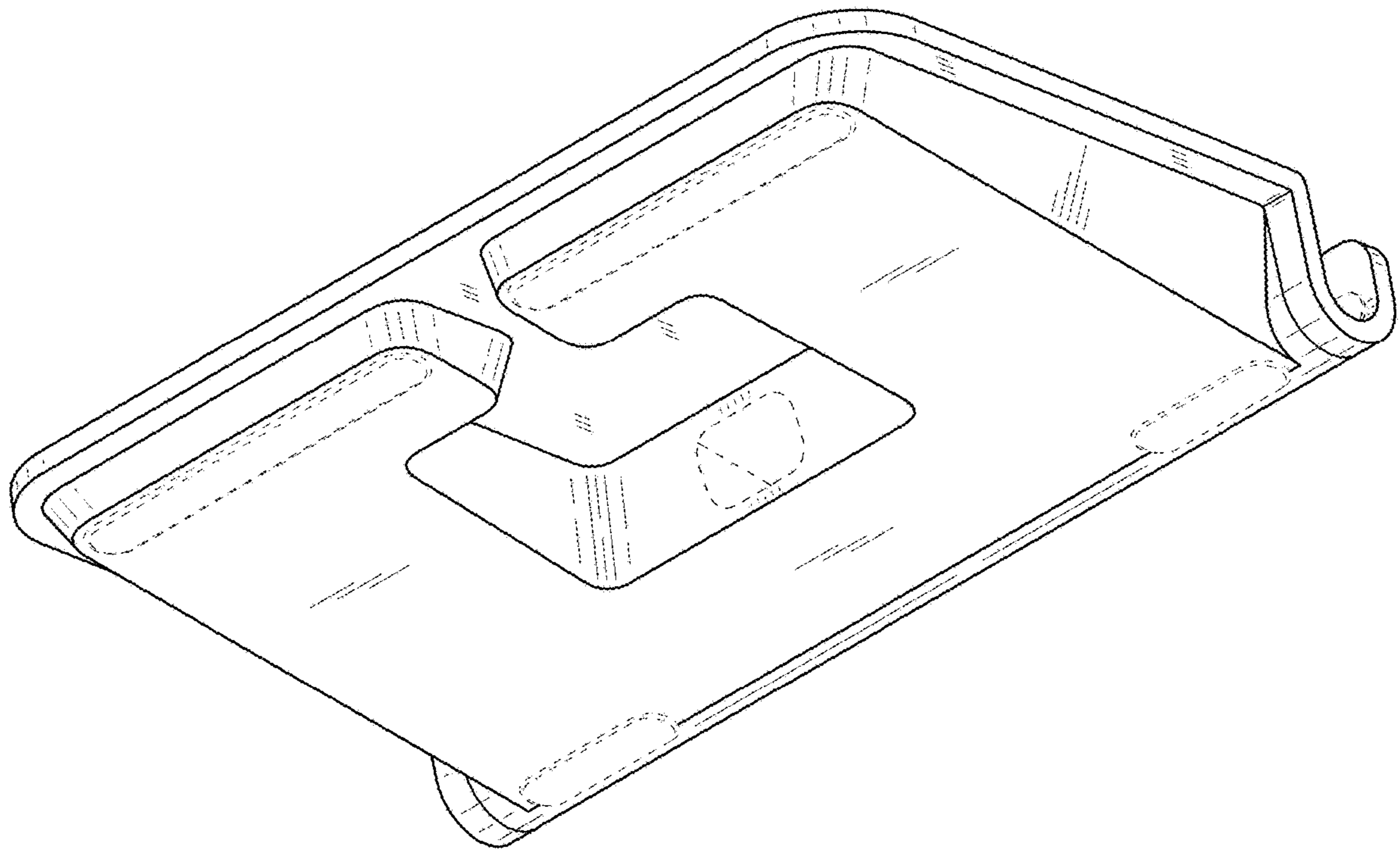


FIG.9

