



US00D886054S

(12) **United States Design Patent**
Liao

(10) **Patent No.:** **US D886,054 S**
(45) **Date of Patent:** **** Jun. 2, 2020**

(54) **PORTABLE POWER BANK**

7/0057; Y02T 10/7005; Y02T 10/705;
Y02T 10/7088; B60L 11/1809; B60L
11/1861

(71) Applicant: **Gopod Group Ltd.**,
Shenzhen/Guangdong (CN)

See application file for complete search history.

(72) Inventor: **Zhuowen Liao**, Shenzhen (CN)

(56) **References Cited**

(73) Assignee: **GUANGDONG GOPOD GROUP HOLDING CO., LTD.**, Shenzhen (CN)

U.S. PATENT DOCUMENTS

(**) Term: **15 Years**

(21) Appl. No.: **29/672,032**

D363,064 S *	10/1995	Rogov	D14/433
D470,848 S *	2/2003	Morooka	D14/433
D478,086 S *	8/2003	Chuang	D13/110
D563,943 S *	3/2008	Watanabe	D14/188
D570,845 S *	6/2008	Liu	D14/433
D612,329 S *	3/2010	Guccione	D13/108
D629,746 S *	12/2010	Workman	D13/103
D651,564 S *	1/2012	Workman	D13/108
D682,777 S *	5/2013	Gupta	D13/103
D692,378 S *	10/2013	Esses	D13/110
D701,490 S *	3/2014	Inskeep	D13/110

(22) Filed: **Dec. 3, 2018**

(30) **Foreign Application Priority Data**

Nov. 15, 2018 (CN) 2018 3 0648425

(51) **LOC (12) Cl.** **13-02**

(52) **U.S. Cl.**
USPC **D13/108; D13/103**

(58) **Field of Classification Search**
USPC D13/103, 107, 108, 110, 133,
D13/137.1-137.4, 138.1-138.2,
D13/139.1-139.8, 146, 147, 151-156,
D13/173, 177, 199; D14/432, 433, 435.1,
D14/250; D23/231, 232; D15/7-9;
D8/350, 353-356

CPC H01R 11/00; H01R 9/00; H01R 13/00;
H01R 13/04; H01R 13/10; H01R
13/6666; H01R 13/6675; H01R 25/00;
H01R 25/006; H01H 2207/00; H01H
2207/022; Y02E 60/12; Y02E 60/122;
Y02E 60/124; Y02E 60/50; H01M 2/02;
H01M 2/022; H01M 2/0202; H01M
2/0207; H01M 2/0212; H01M 2/1061;
H01M 2/1022; H01M 2/1055; H01M
2/1066; H01M 2/105; H01M 2/204; H02J
7/00; H02J 7/0003; H02J 7/0011; H02J
7/0013; H02J 7/0054; H02J 7/0055; H02J

(Continued)

Primary Examiner — Rosemary K Tarcza

Assistant Examiner — Christy M Nemeth

(74) *Attorney, Agent, or Firm* — Dorsey & Whitney LLP

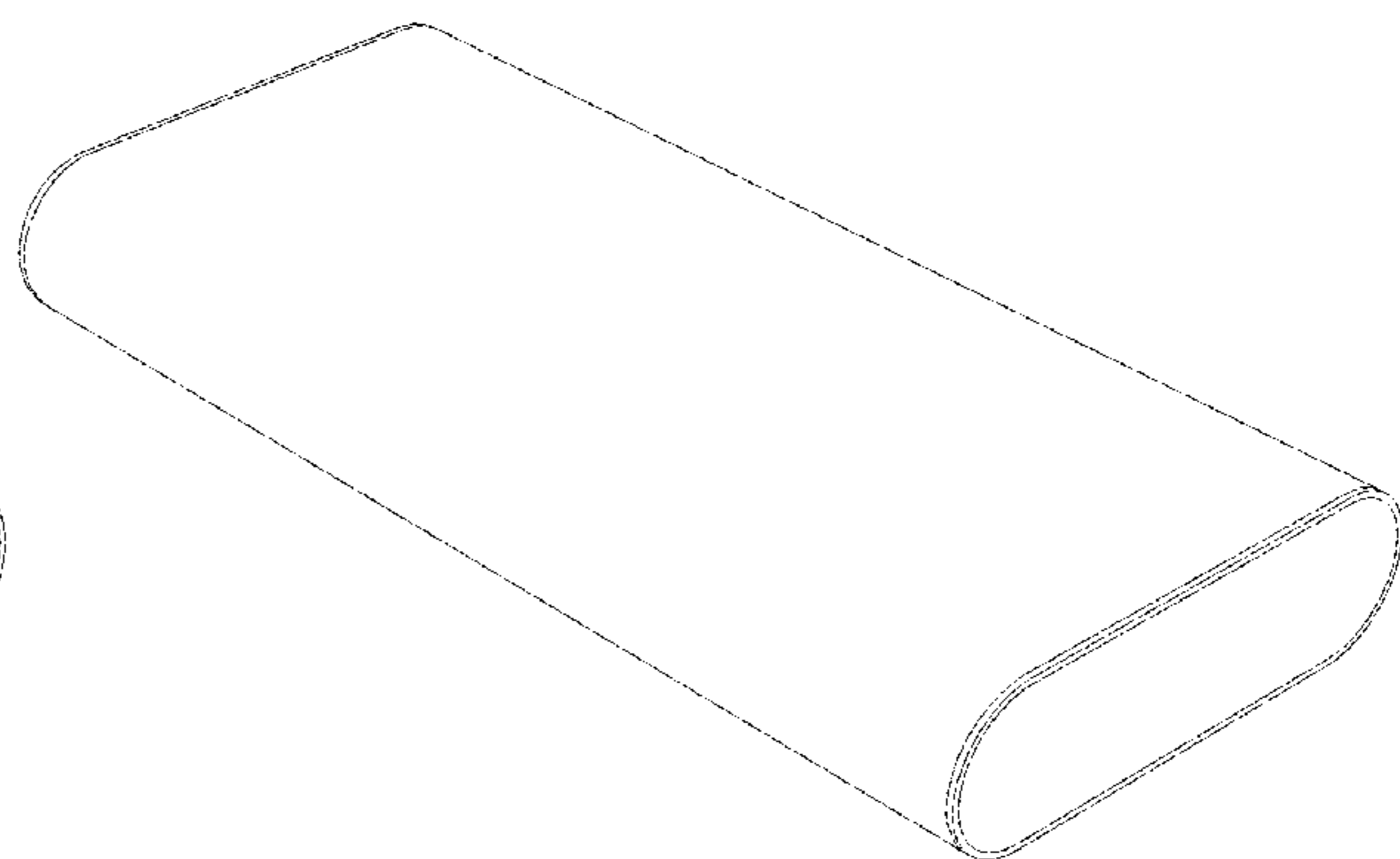
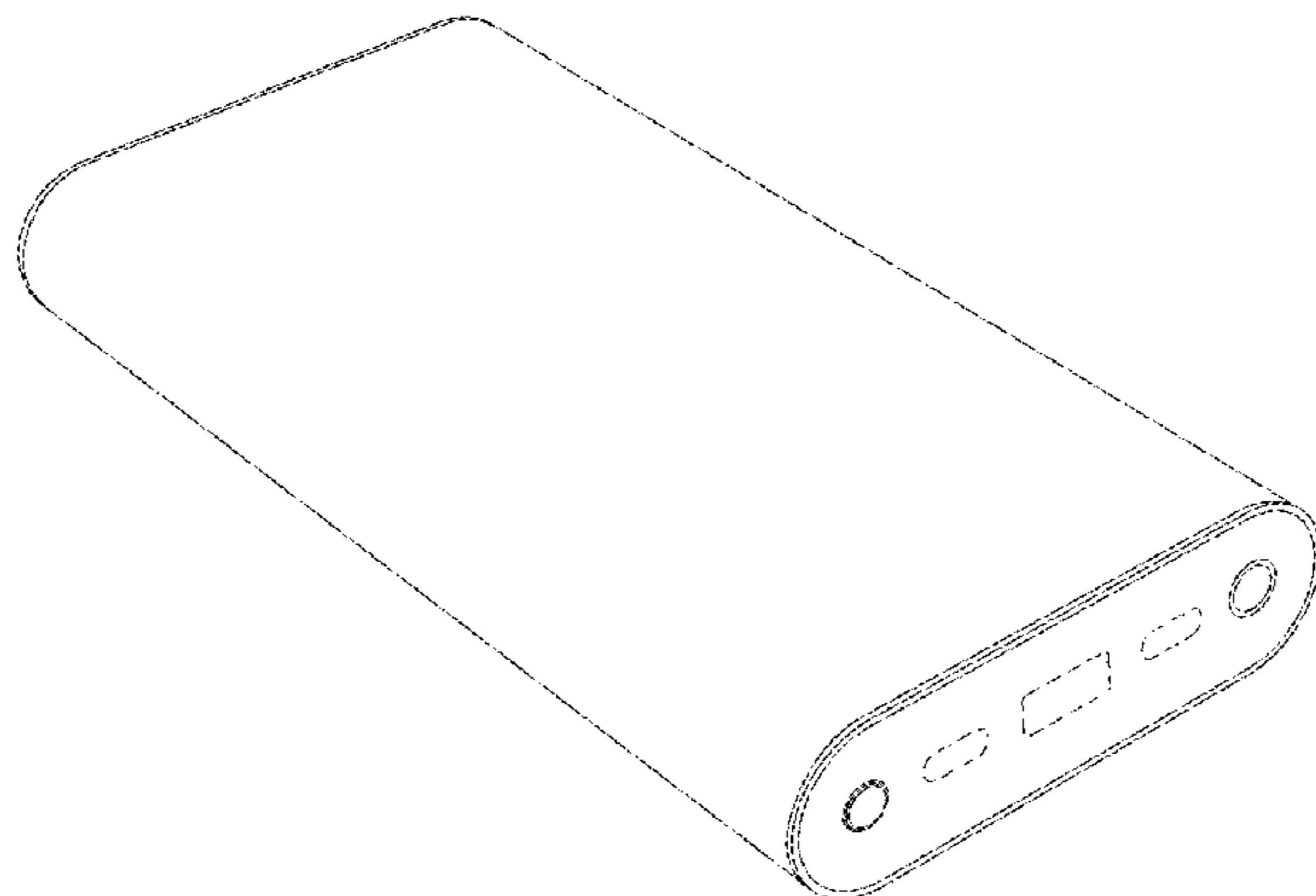
(57) **CLAIM**

The ornamental design for a portable power bank, as shown and described.

DESCRIPTION

FIG. 1 is a top view of a portable power bank showing my new design;
FIG. 2 is a left side view thereof;
FIG. 3 is a right side view thereof;
FIG. 4 is a bottom view thereof;
FIG. 5 is a front view thereof;
FIG. 6 is a rear view thereof;
FIG. 7 is a top, rear, left side perspective view thereof; and,
FIG. 8 is a top, front, right side perspective view thereof.
The broken lines shown in the drawings illustrate portions of the portable power bank that form no part of the claimed design.

1 Claim, 8 Drawing Sheets



(56)

References Cited

U.S. PATENT DOCUMENTS

D701,838 S * 4/2014 Esses D13/108
 D705,719 S * 5/2014 Wong D13/103
 D708,571 S * 7/2014 Ji D13/103
 D720,755 S * 1/2015 Nokuo D14/433
 D751,985 S * 3/2016 Curry D13/103
 D769,877 S * 10/2016 Akana D14/433
 D786,790 S * 5/2017 Miller D13/108
 D792,409 S * 7/2017 Shim D14/435
 D797,044 S * 9/2017 Miller D13/108
 D797,747 S * 9/2017 Xu D14/433
 D803,779 S * 11/2017 Jung D13/107
 D808,972 S * 1/2018 Magi D14/436
 D813,803 S * 3/2018 Massar D13/108
 D814,412 S * 4/2018 Georgiades D13/108
 D815,036 S * 4/2018 Martorell D13/108
 D816,029 S * 4/2018 Dai D13/108
 D816,606 S * 5/2018 Georgiades D13/108
 D819,022 S * 5/2018 Shim D14/363
 D821,972 S * 7/2018 Wei D13/108
 D822,655 S * 7/2018 Akana D14/341
 D824,328 S * 7/2018 Liu D13/108
 D824,329 S * 7/2018 Conocenti D13/108
 D825,455 S * 8/2018 Liu D13/103
 D828,354 S * 9/2018 Chuang D14/433
 D828,356 S * 9/2018 Xie D14/433
 D829,213 S * 9/2018 Szeremeta D14/432
 D829,719 S * 10/2018 Shim D14/435
 D833,411 S * 11/2018 Castle D14/155

D836,543 S * 12/2018 Sun D13/108
 D837,790 S * 1/2019 Wu D14/435
 D838,669 S * 1/2019 Miller D13/108
 D841,652 S * 2/2019 Akana D14/433
 D843,998 S * 3/2019 Bolotin D14/365
 D844,560 S * 4/2019 Miller D13/108
 D847,112 S * 4/2019 Castle D14/155
 D847,811 S * 5/2019 Shim D14/356
 D851,586 S * 6/2019 Liu D13/108
 D853,322 S * 7/2019 Xu D13/108
 D853,396 S * 7/2019 Kong D14/434
 D853,958 S * 7/2019 Lei D13/108
 D853,959 S * 7/2019 Miller D13/108
 D862,384 S * 10/2019 Jen D13/108
 D862,385 S * 10/2019 Turksu D13/108
 D864,861 S * 10/2019 Roberts D13/108
 D864,964 S * 10/2019 Lyu D14/433
 D864,966 S * 10/2019 Sang D14/434
 D864,969 S * 10/2019 Magi D14/436
 D864,970 S * 10/2019 Magi D14/436
 D866,557 S * 11/2019 Xiong D14/433
 D867,280 S * 11/2019 Chen D13/103
 D867,368 S * 11/2019 Magi D14/436
 D867,369 S * 11/2019 Magi D14/436
 D869,392 S * 12/2019 Roberts D13/108
 D869,411 S * 12/2019 Wang D14/125
 D869,467 S * 12/2019 Lin D14/434
 D871,324 S * 12/2019 Roberts D13/108
 D871,329 S * 12/2019 Chen D13/108
 D872,011 S * 1/2020 Rao D13/107
 D872,012 S * 1/2020 Rao D13/107

* cited by examiner

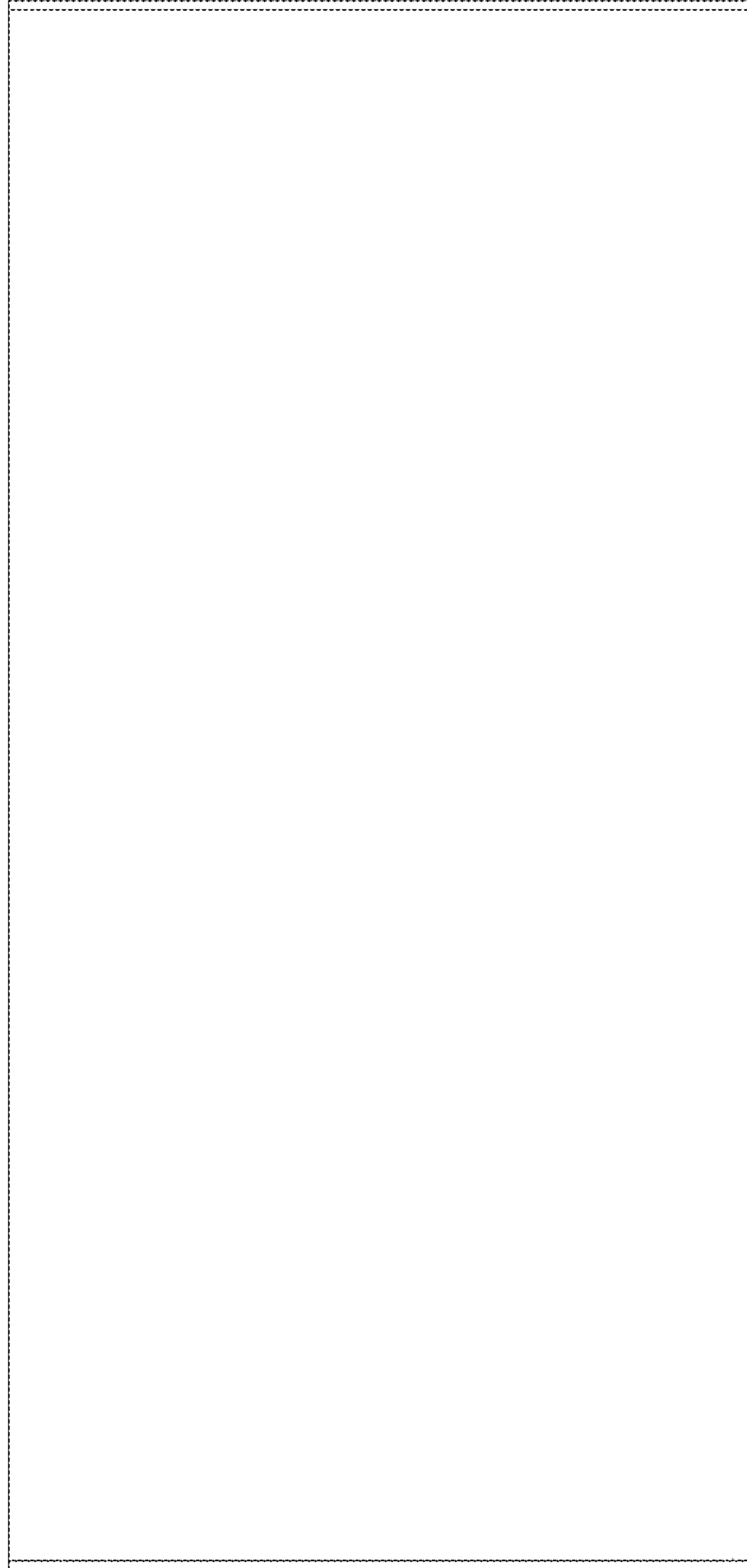


FIG. 1

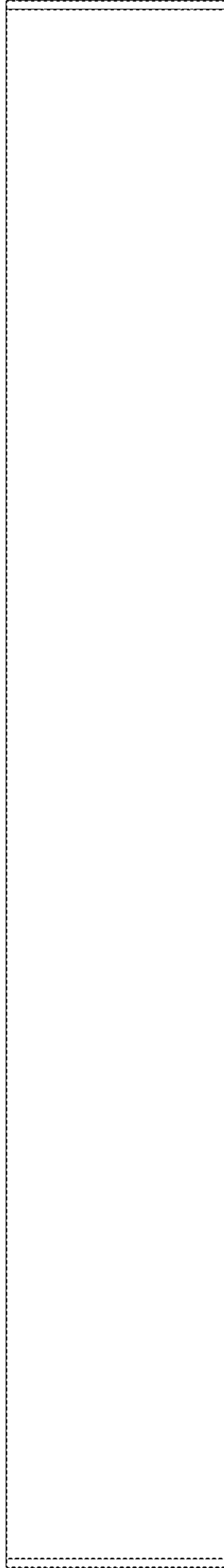


FIG. 2

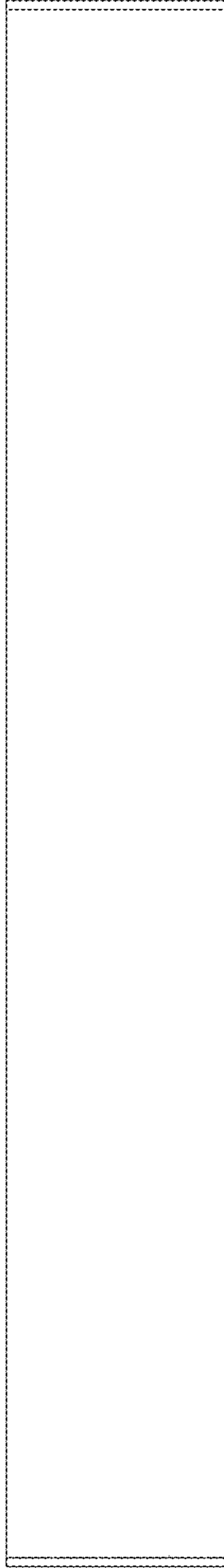


FIG. 3

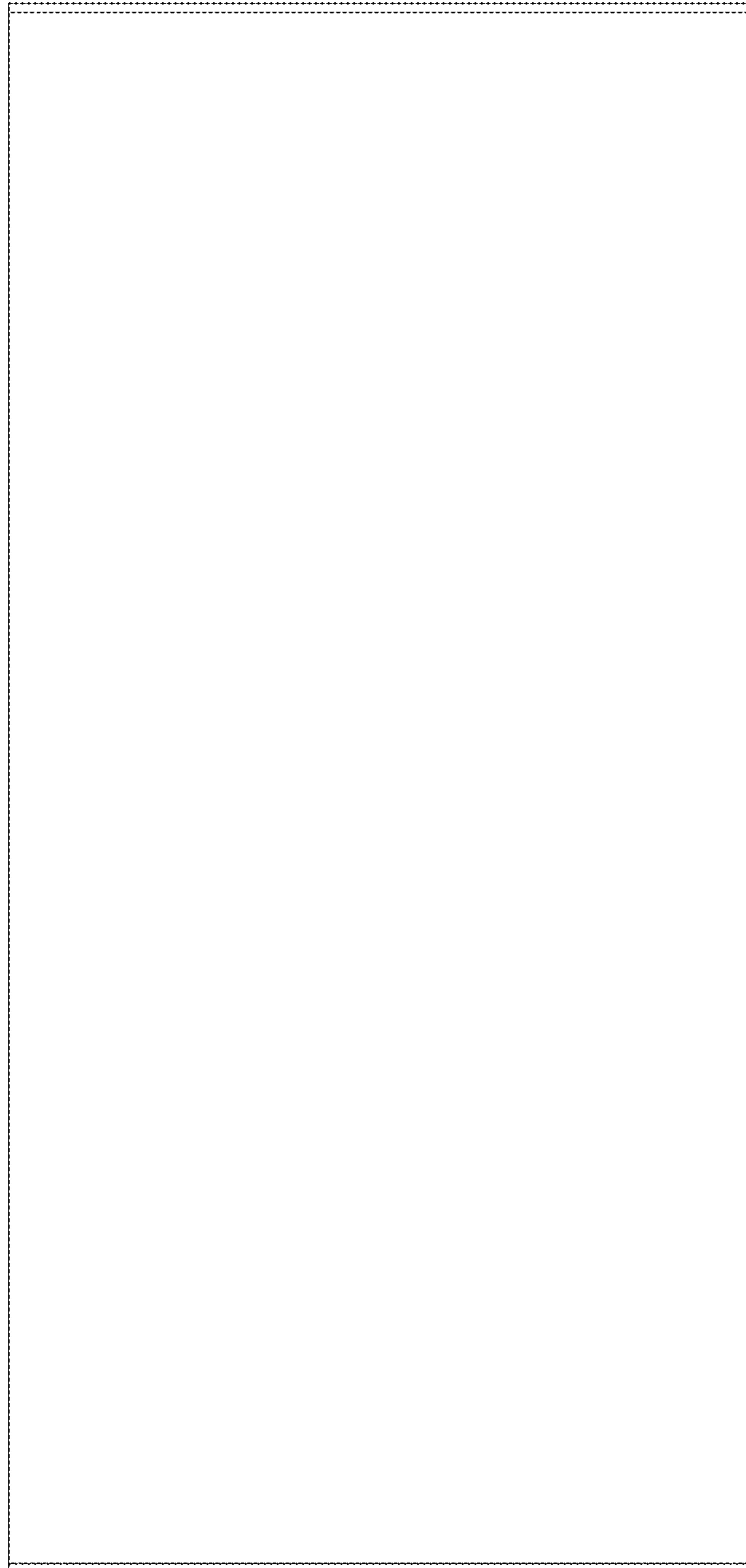


FIG. 4

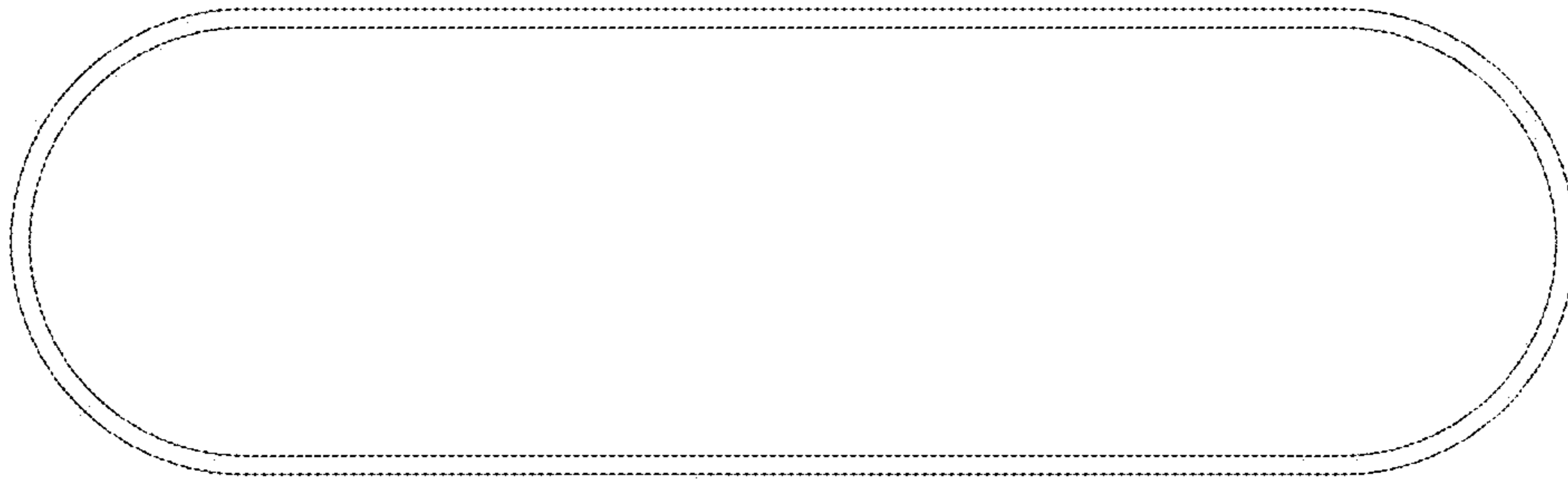


FIG. 5

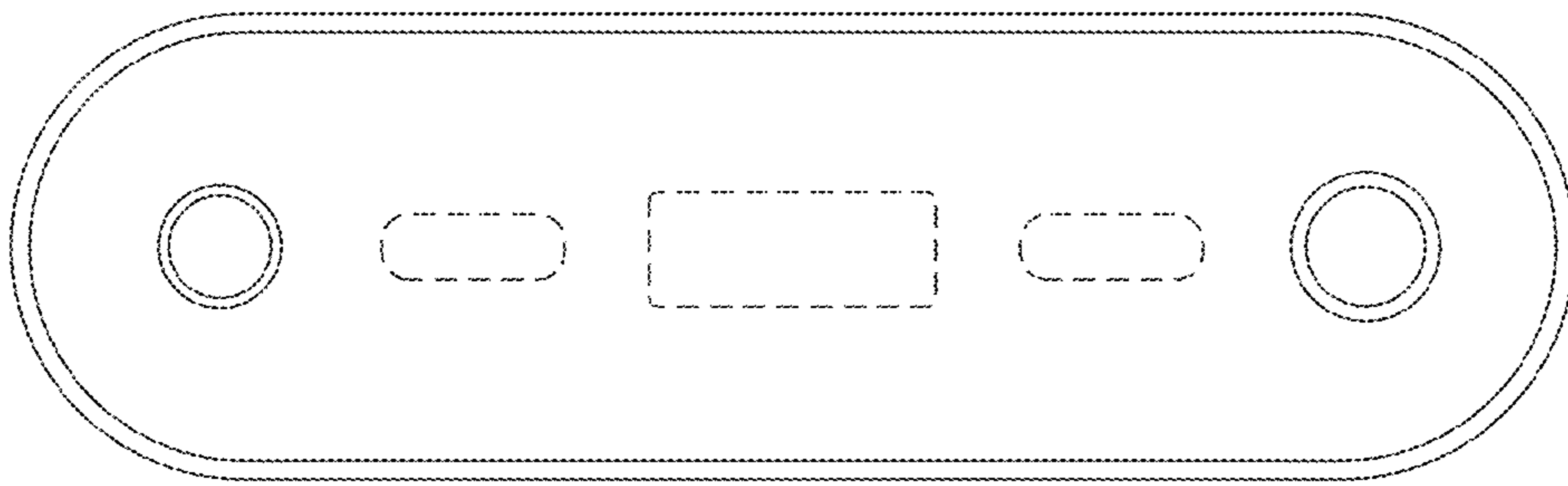


FIG. 6

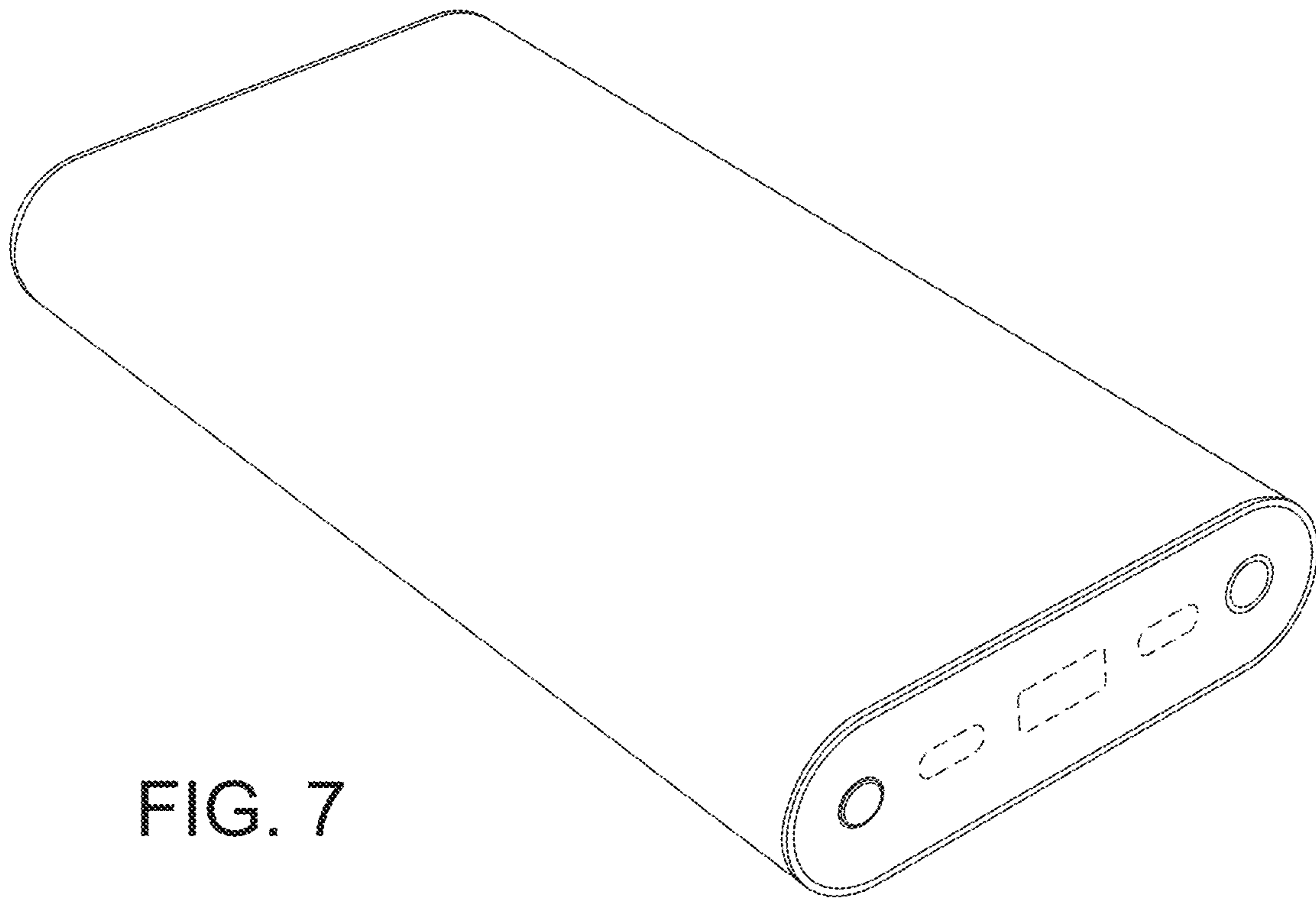


FIG. 7

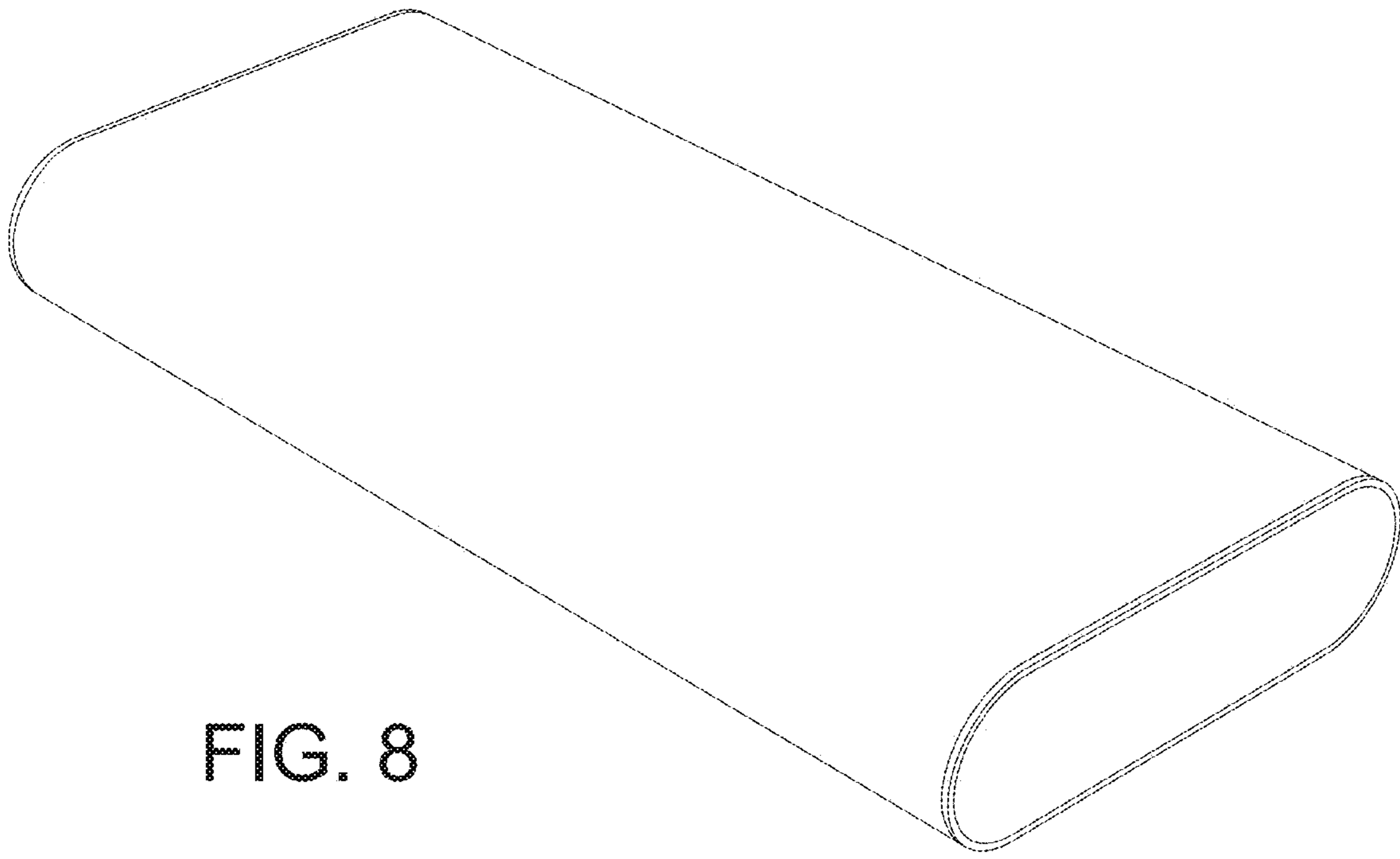


FIG. 8