



US00D886053S

(12) **United States Design Patent** (10) **Patent No.:** **US D886,053 S**
Lee (45) **Date of Patent:** **** Jun. 2, 2020**

(54) **WIRELESS CHARGER**
(71) Applicant: **JMTEK, LLC**, Kent, WA (US)
(72) Inventor: **Kyu Bong Lee**, Kent, WA (US)
(73) Assignee: **JMTEK, LLC**, Kent, WA (US)
(**) Term: **15 Years**
(21) Appl. No.: **29/653,081**
(22) Filed: **Jun. 12, 2018**
(51) **LOC (12) Cl.** **13-02**
(52) **U.S. Cl.**
USPC **D13/108**
(58) **Field of Classification Search**
USPC D13/107–110, 118–119, 184; D14/251,
D14/253, 432, 434
CPC Y02E 60/12; Y02T 90/14; Y02T 90/122;
Y02T 90/128; Y02T 90/163; Y02T
10/7005; Y02T 10/7088; H02J 7/025;
H02J 7/0042; H02J 7/0044; H02J 7/0045;
H02J 7/0003; H01F 38/14; H01R
13/6675; H01M 2/1022; H01M 2/1055;
H01M 10/44; H01M 10/46; H01M
10/425; B60L 11/182
See application file for complete search history.

(56) **References Cited**
U.S. PATENT DOCUMENTS
D544,547 S * 6/2007 Solland D14/434
D593,103 S * 5/2009 Richter D14/253
D593,566 S * 6/2009 Richter D14/253
D694,228 S * 11/2013 Richter D14/253
D718,236 S * 11/2014 Murray D13/108
D738,823 S * 9/2015 Chen D13/108
D748,575 S * 2/2016 Bulgarov D13/108
D749,504 S * 2/2016 Jeong D13/108
D772,813 S * 11/2016 Wahl D13/108

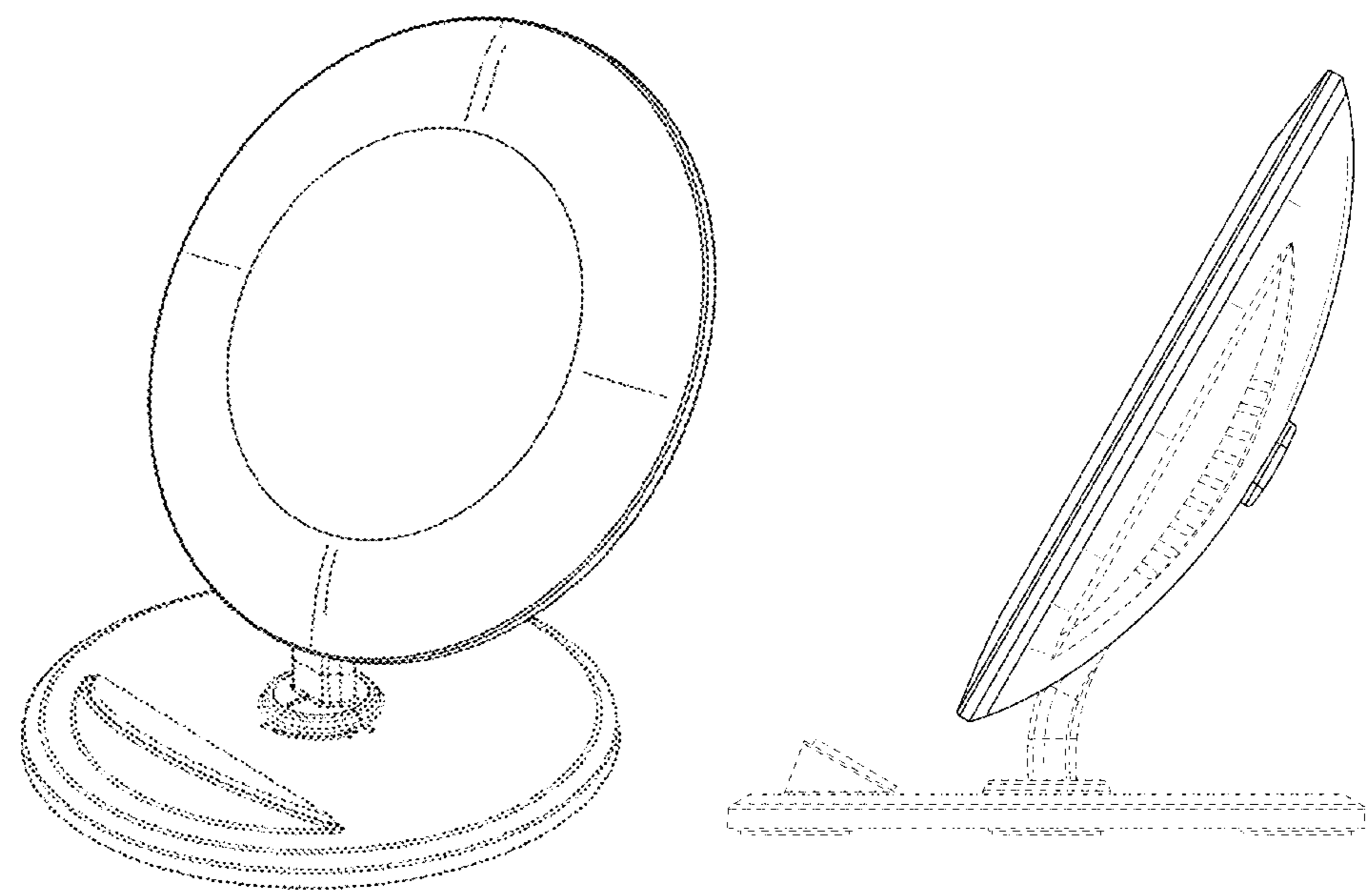
D777,103 S * 1/2017 Park D13/108
D784,259 S * 4/2017 Huang D13/108
D794,557 S * 8/2017 Kim D13/108
D795,182 S * 8/2017 Akana D13/108
D797,667 S * 9/2017 Park D13/108
D797,668 S * 9/2017 Park D13/108
D810,015 S * 2/2018 Carreon D13/108
D825,546 S * 8/2018 Fan D14/253
D825,549 S * 8/2018 Lebovitz D14/253
D831,462 S * 10/2018 McSweyn D8/349
D841,578 S * 2/2019 Kim D13/108
D850,367 S * 6/2019 Xiong D13/108
D850,370 S * 6/2019 Lee D13/108
D851,036 S * 6/2019 Saangloef D13/108
D851,587 S * 6/2019 Schmidt D13/108
D857,625 S * 8/2019 Cao D13/108

* cited by examiner
Primary Examiner — Rosemary K Tarcza
(74) *Attorney, Agent, or Firm* — DWC Law Firm, P.S.;
James Namiki

(57) **CLAIM**
The ornamental design for a wireless charger, as shown and described.

DESCRIPTION
FIG. 1 is a front perspective view of the design for our new wireless charger.
FIG. 2 is a rear perspective view thereof.
FIG. 3 is a front side view thereof.
FIG. 4 is a back side view thereof.
FIG. 5 is a left side view thereof.
FIG. 6 is a right side view thereof.
FIG. 7 is a top plan view thereof; and,
FIG. 8 is a bottom plan view thereof.
The broken lines shown in the drawings illustrate portions of the wireless charger which form no part of the claimed design.

1 Claim, 8 Drawing Sheets



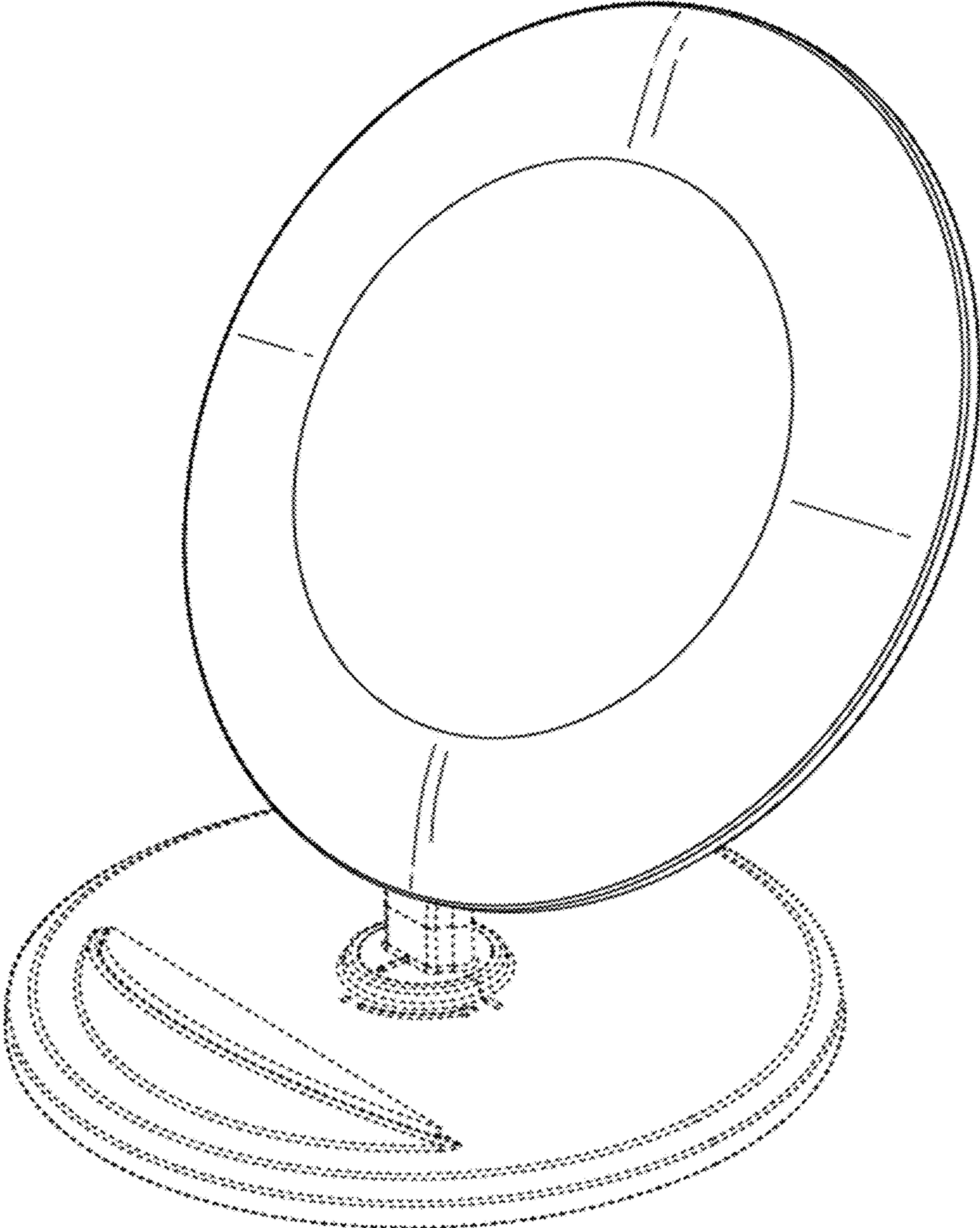


FIG. 1

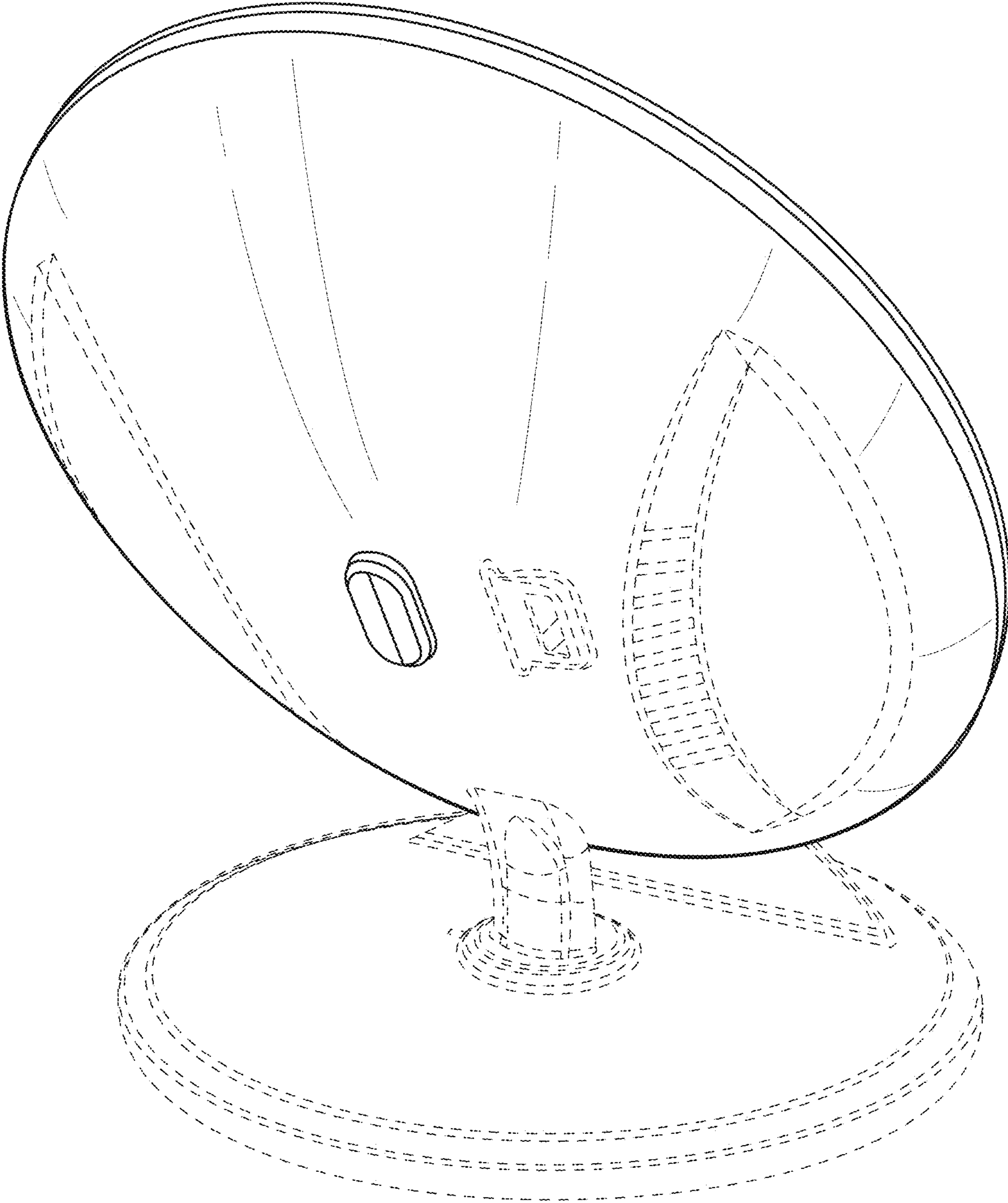


FIG. 2

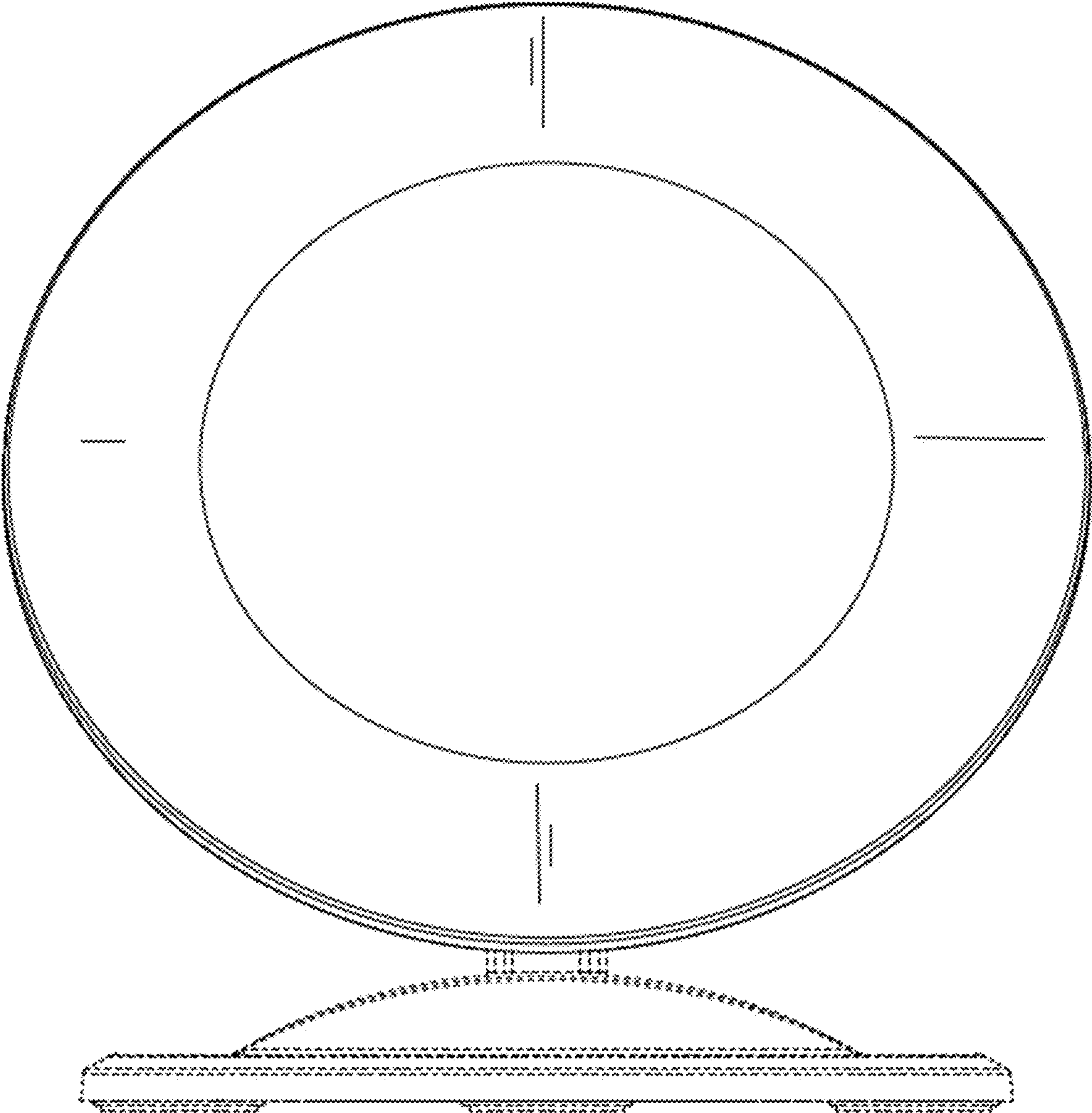


FIG. 3

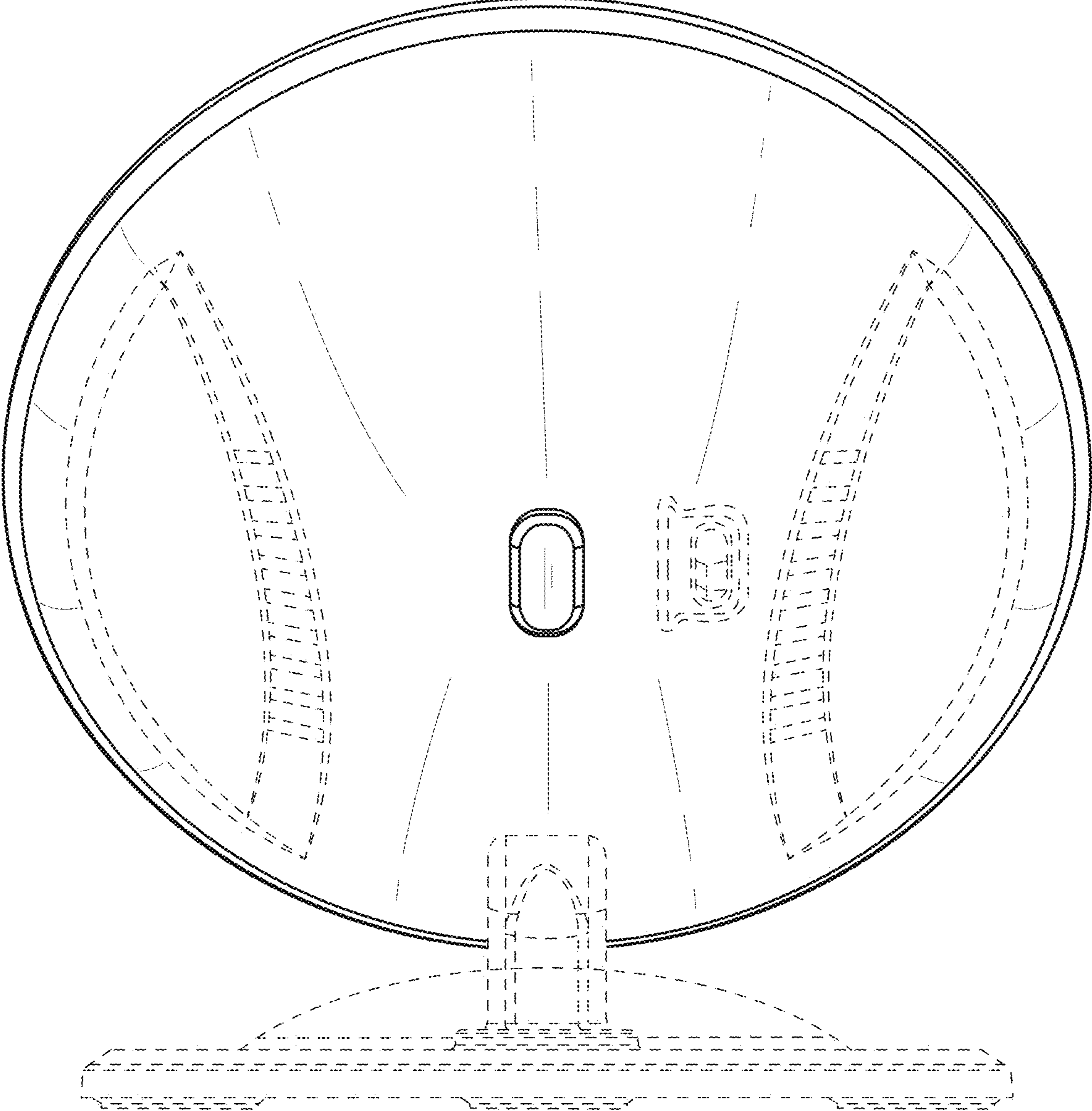


FIG. 4

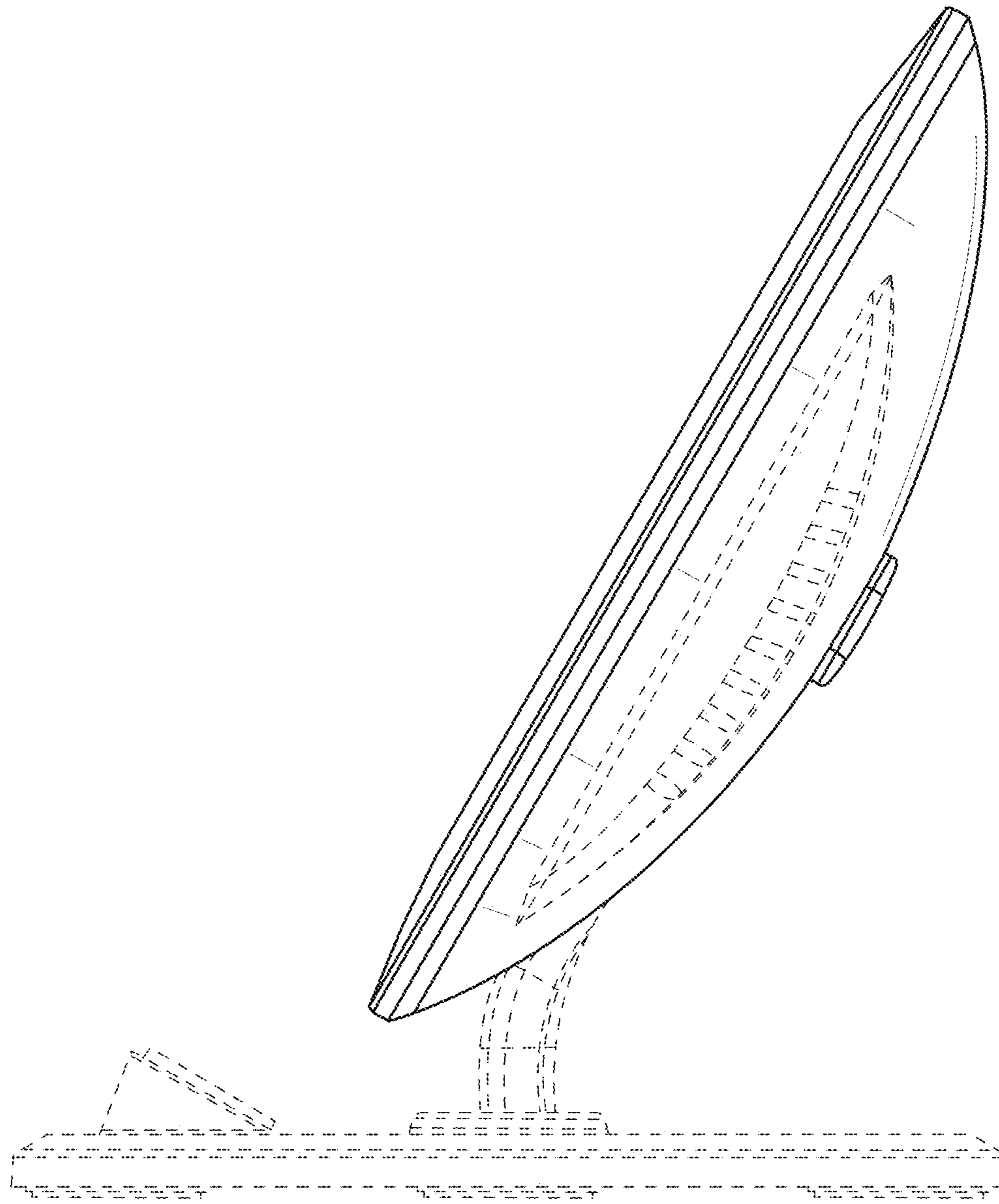


FIG. 5

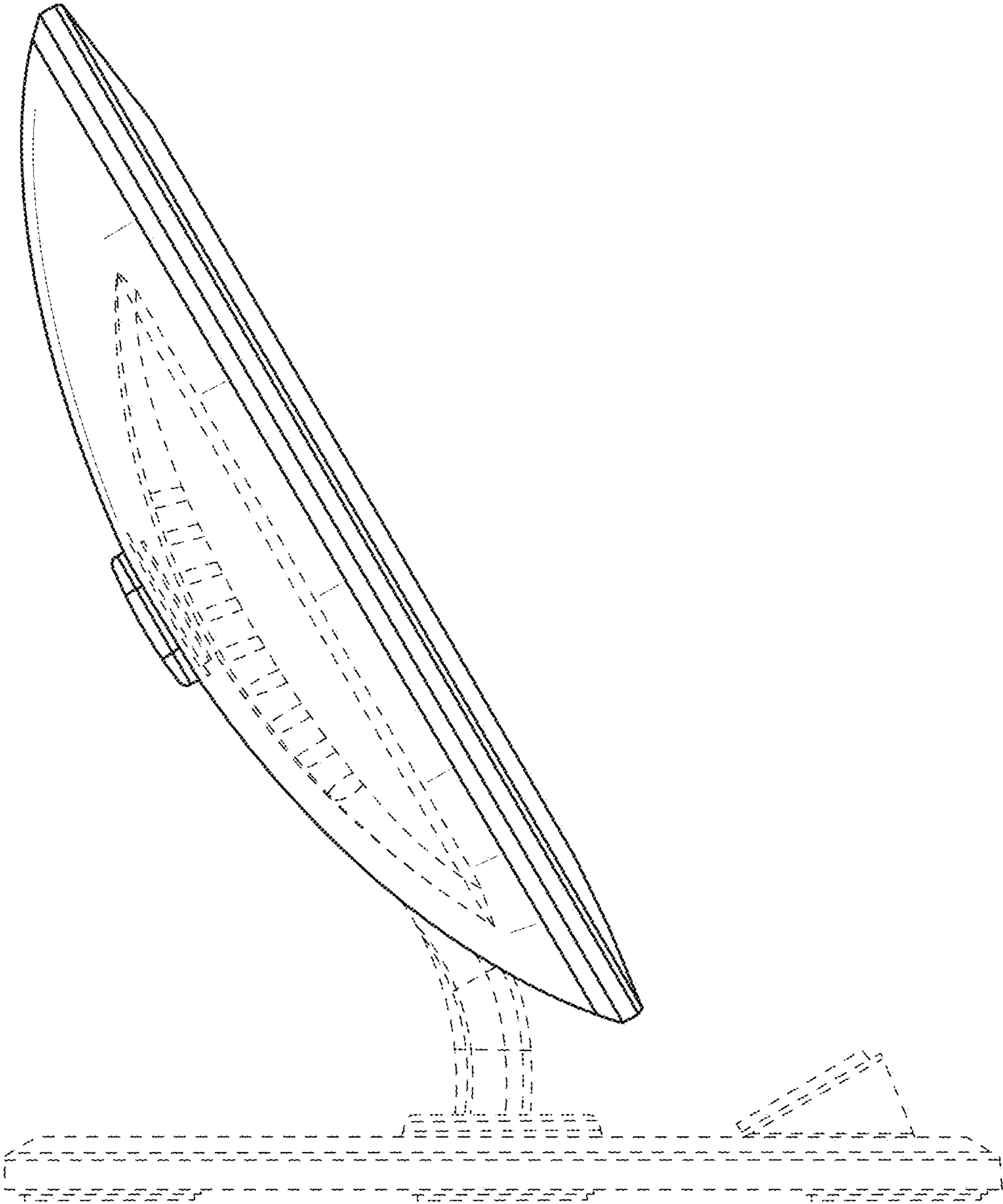


FIG. 6

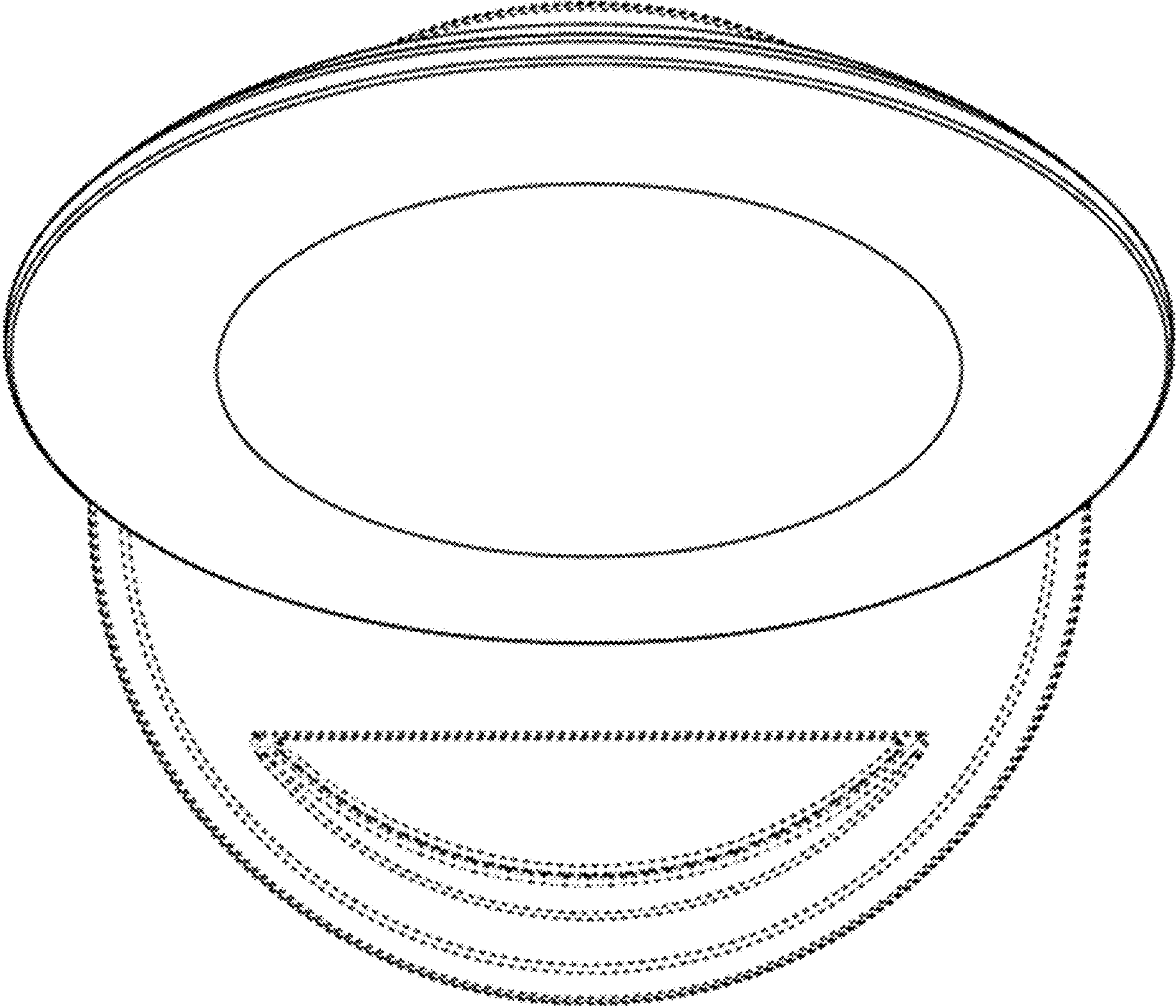


FIG. 7

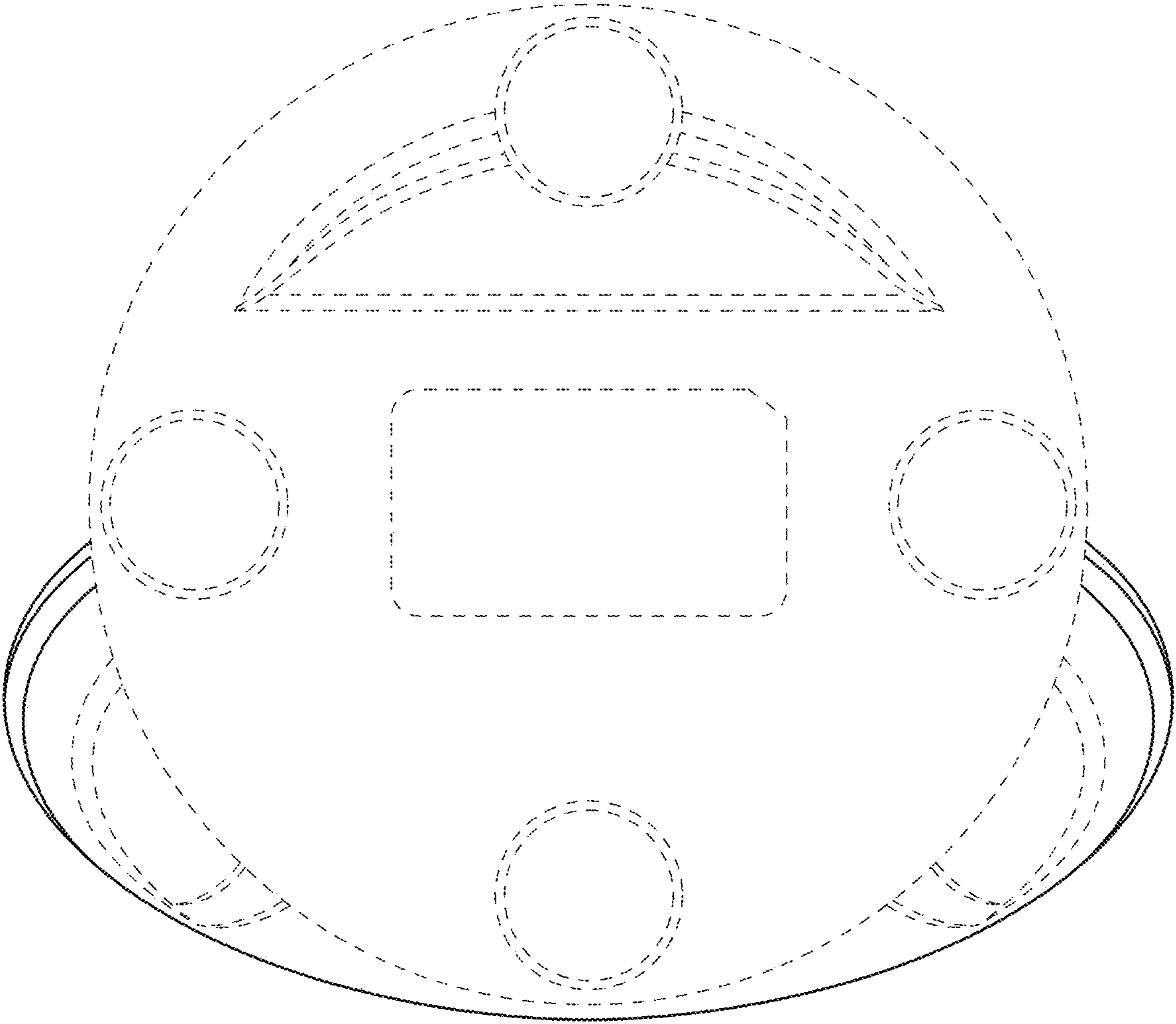


FIG. 8