



US00D886051S

(12) **United States Design Patent** (10) **Patent No.:** **US D886,051 S**
Chen (45) **Date of Patent:** **** Jun. 2, 2020**

(54) **CHARGING STAND FOR SMARTPHONE, TABLET OR SMARTWATCH**

(71) Applicant: **Junyi Chen**, Guangzhou (CN)

(72) Inventor: **Junyi Chen**, Guangzhou (CN)

(**) Term: **15 Years**

(21) Appl. No.: **29/633,804**

(22) Filed: **Jan. 16, 2018**

(51) **LOC (12) Cl.** **13-02**

(52) **U.S. Cl.**
USPC **D13/108**

(58) **Field of Classification Search**
USPC D13/107-110, 118-119, 184; D14/251, D14/253, 432, 434

CPC Y02E 60/12; Y02T 90/14; Y02T 90/122; Y02T 90/128; Y02T 90/163; H02J 7/025; H02J 7/0042; H02J 7/0044; H02J 7/0045; H02J 7/0003; H01F 38/14; H01M 2/1022; H01M 2/1055; H01M 10/44; H01M 10/46; H01M 10/425; B60L 11/182
See application file for complete search history.

(56) **References Cited**

U.S. PATENT DOCUMENTS

D638,019 S *	5/2011	Weissaupt	D14/434
D779,478 S *	2/2017	Justiss	D14/253
D782,411 S *	3/2017	Mischke	D13/108
D788,699 S *	6/2017	Hoehn	D13/107
D789,348 S *	6/2017	Kim	D14/250

D799,463 S *	10/2017	Deng	D14/252
D799,464 S *	10/2017	Zaihui	D14/252
D813,805 S *	3/2018	Zhong	D13/108
D814,413 S *	4/2018	Zhong	D13/108
D816,027 S *	4/2018	Chen	D13/108
D840,997 S *	2/2019	Chen	D14/253
D842,305 S *	3/2019	Gao	D14/447
D855,566 S *	8/2019	Chen	D13/108
D857,626 S *	8/2019	Zhang	D13/108

* cited by examiner

Primary Examiner — Rosemary K Tarcza
Assistant Examiner — Nathaniel D. Buckner

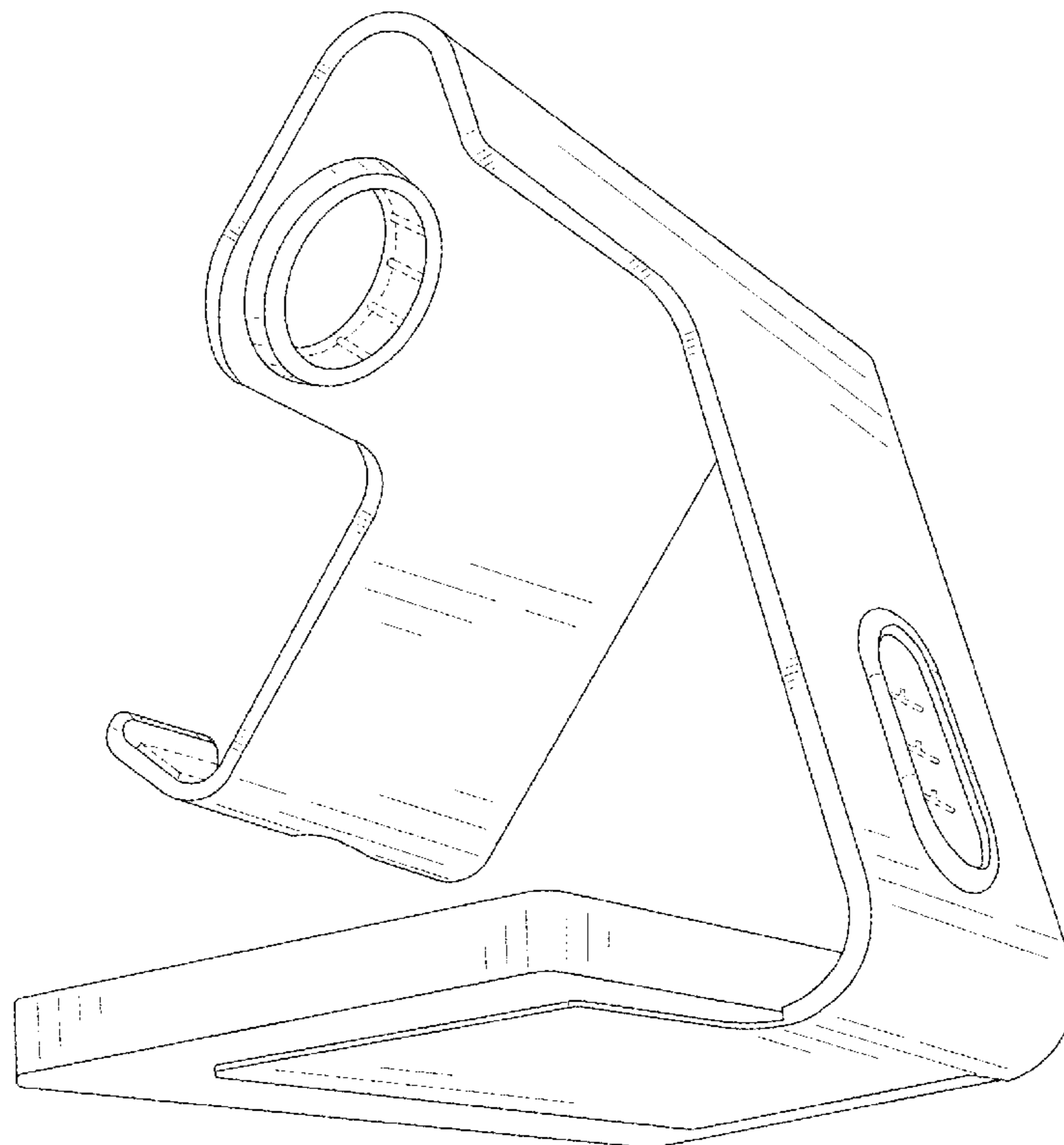
(57) **CLAIM**

The ornamental design for a charging stand for smartphone, tablet or smartwatch, as shown and described.

DESCRIPTION

FIG. 1 is a front elevation view of a charging stand for smartphone, tablet or smartwatch showing my new design; FIG. 2 is a rear elevation view thereof; FIG. 3 is a left side elevation view thereof; FIG. 4 is a right side elevation view thereof; FIG. 5 is a top plan view thereof; FIG. 6 is a bottom plan view thereof; and, FIG. 7 is a right bottom rear perspective view thereof. The broken lines in the drawings depict boundaries of the charging stand for smartphone, tablet or smartwatch that form no part of the claimed design.

1 Claim, 7 Drawing Sheets



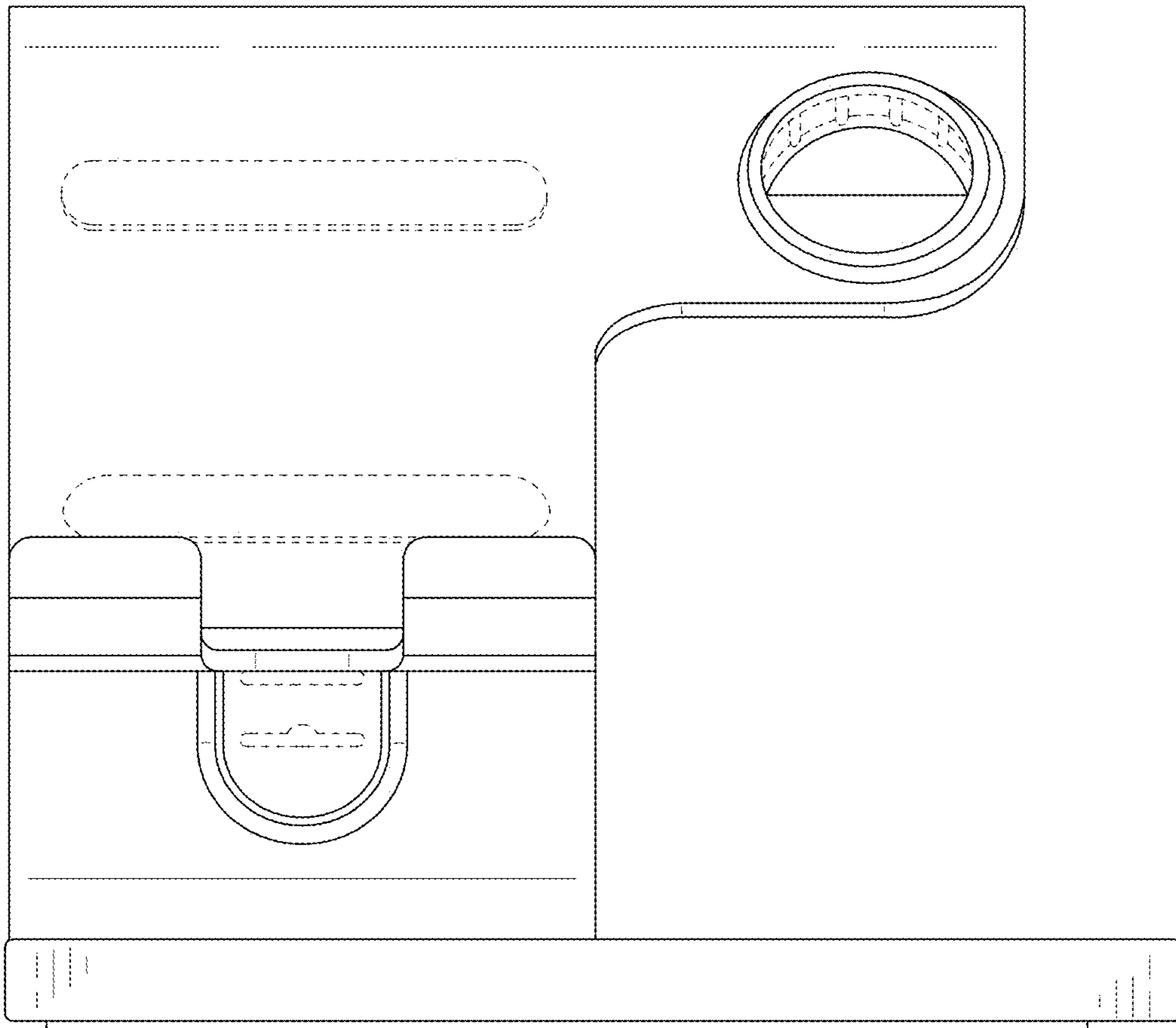


FIG. 1

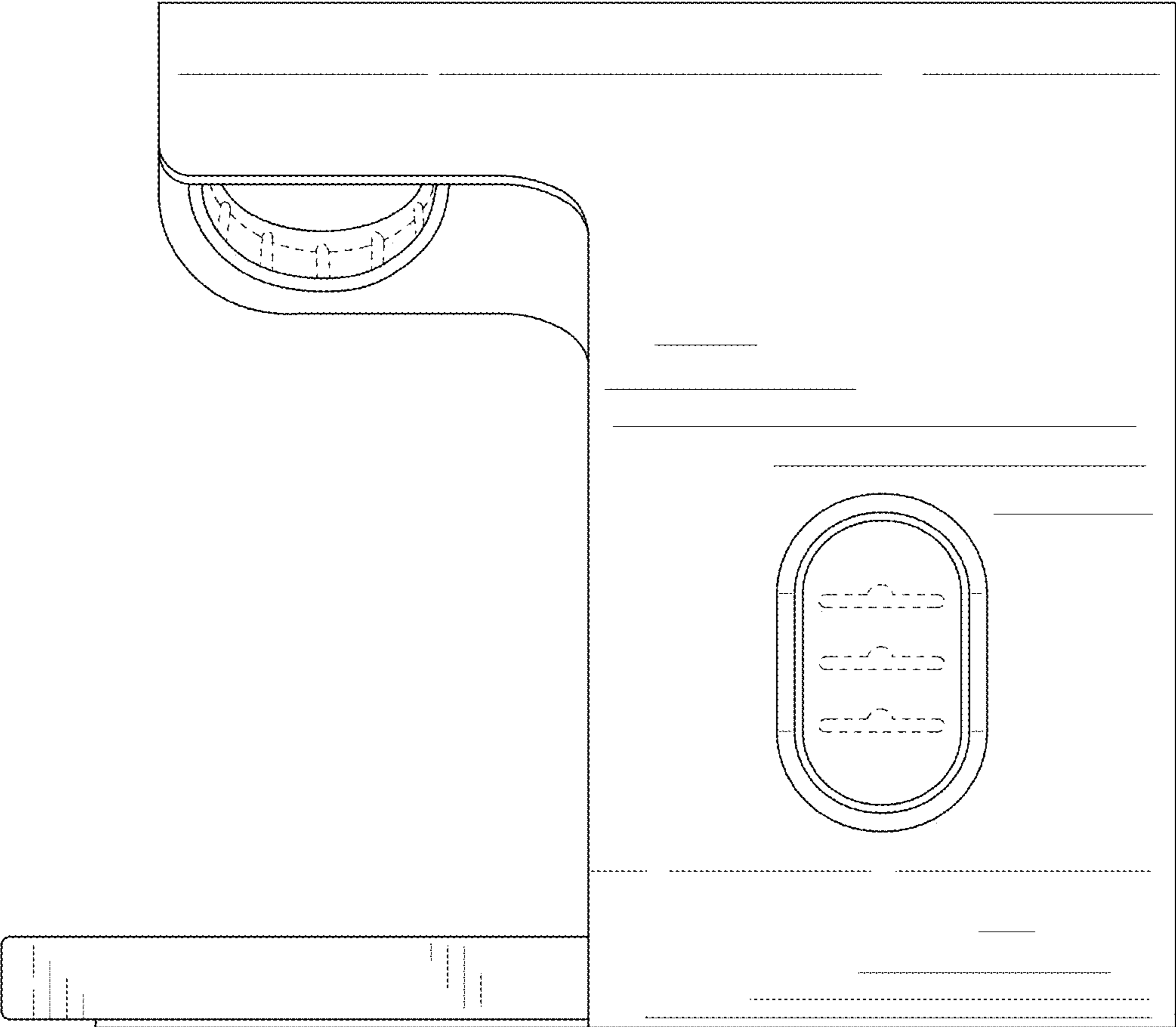


FIG. 2

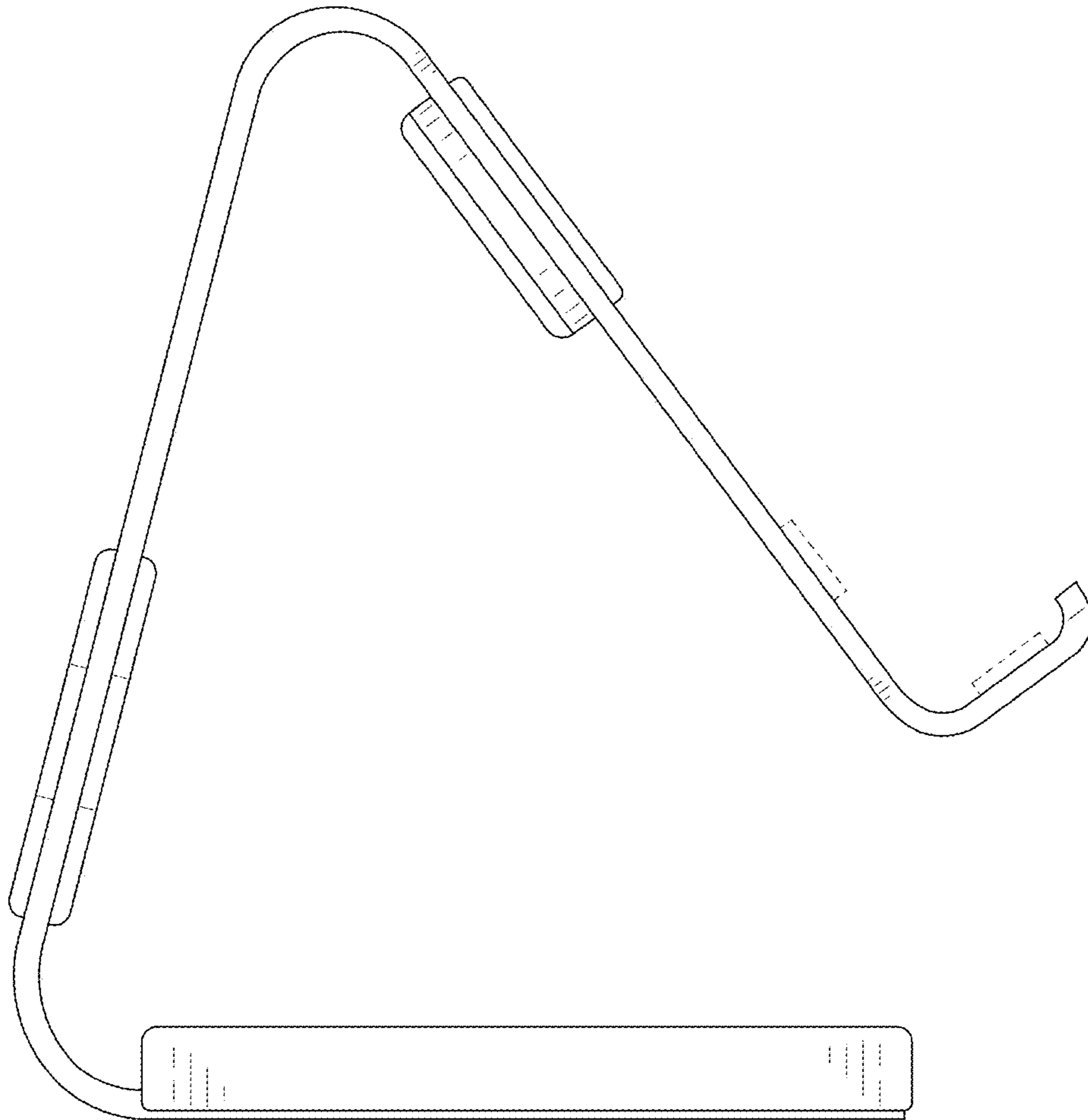


FIG. 3

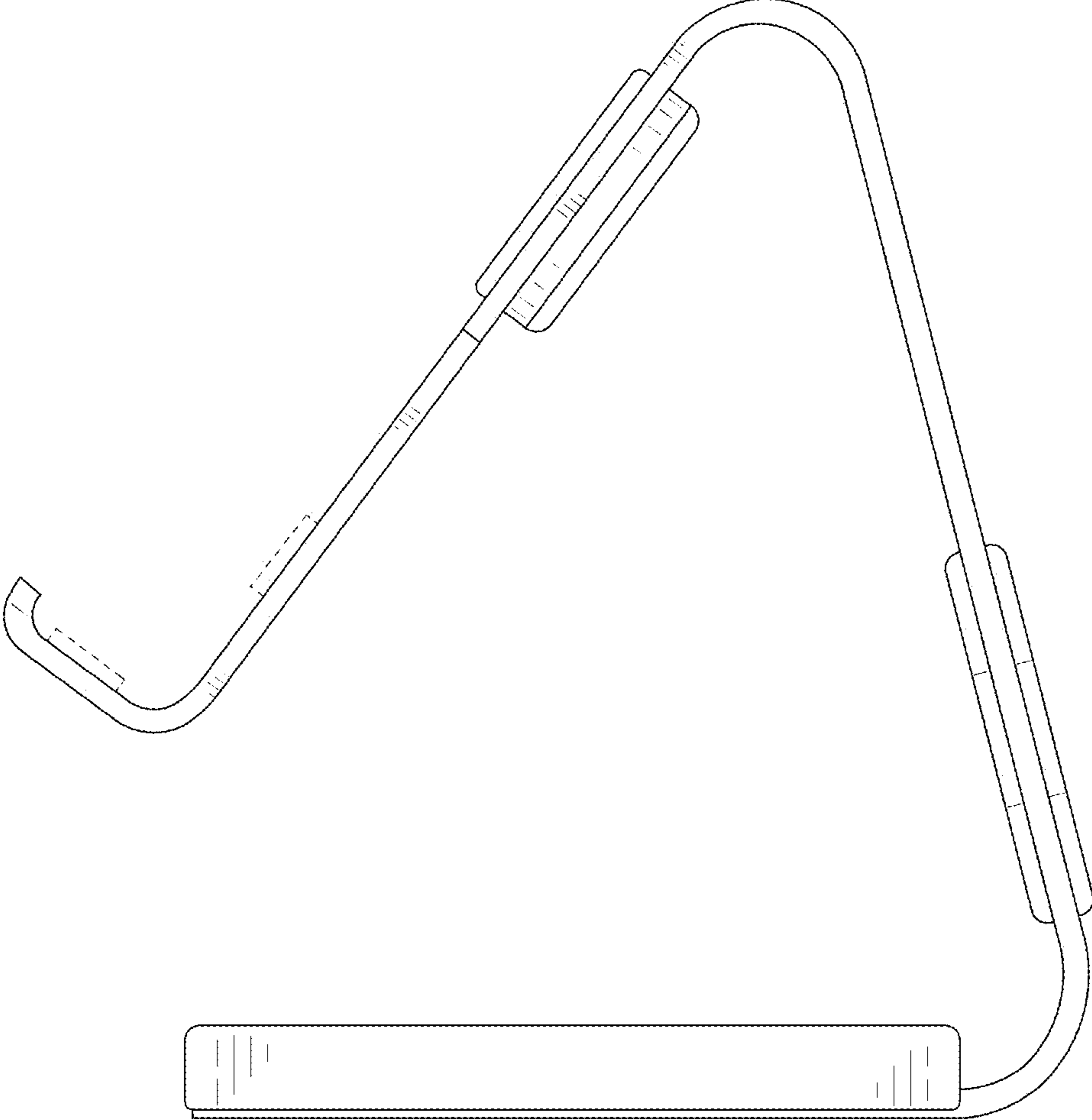


FIG. 4

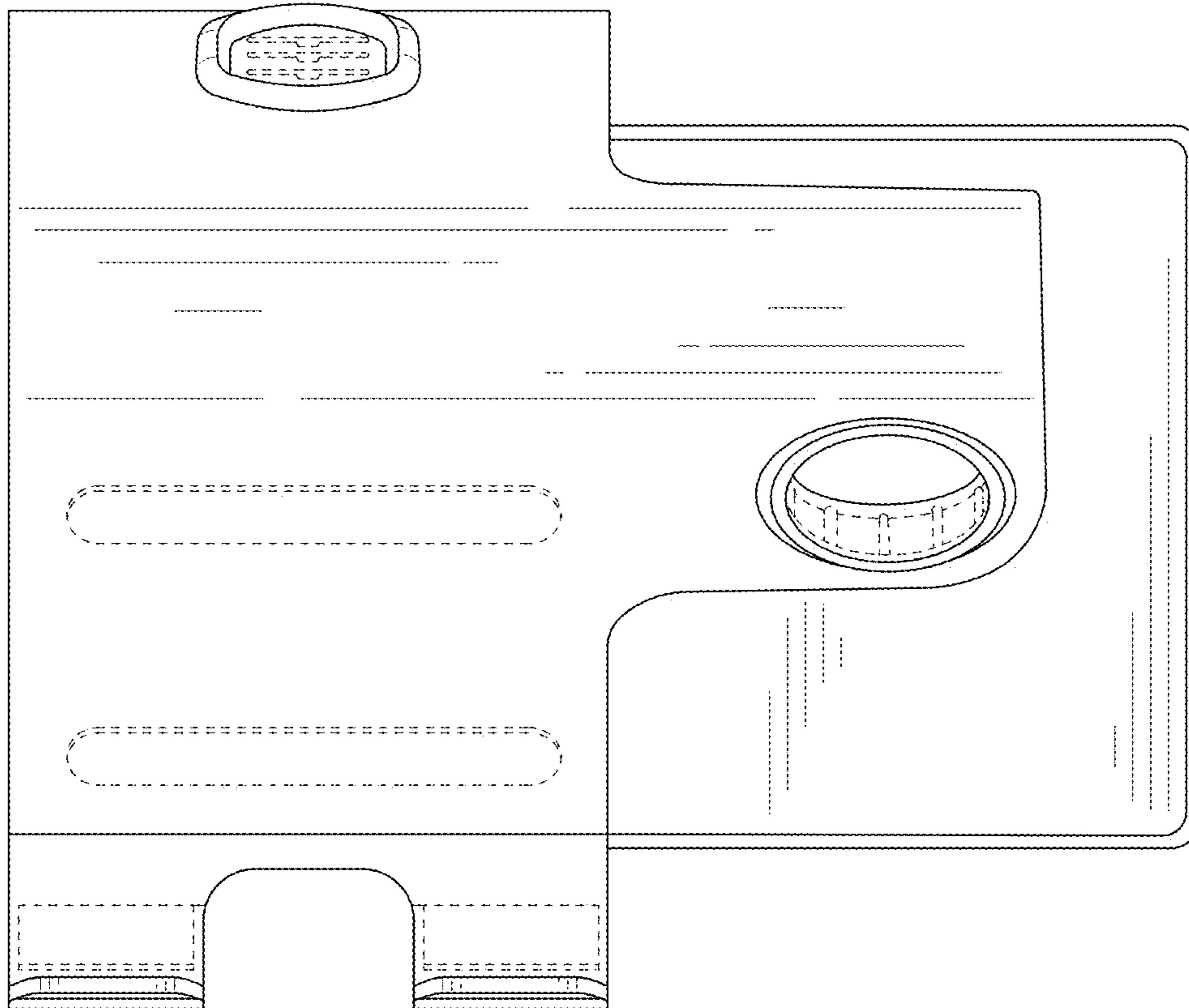


FIG. 5

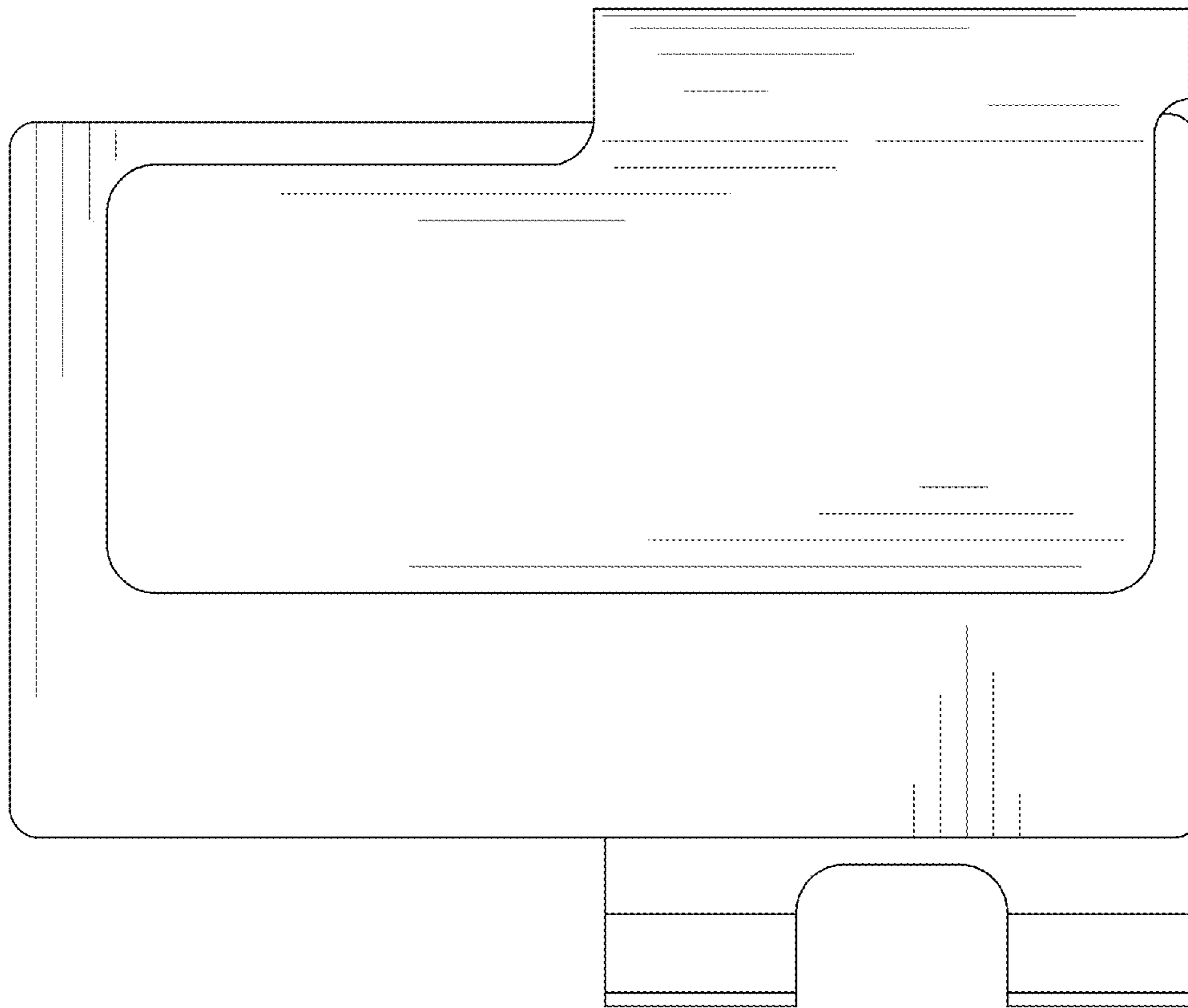


FIG. 6

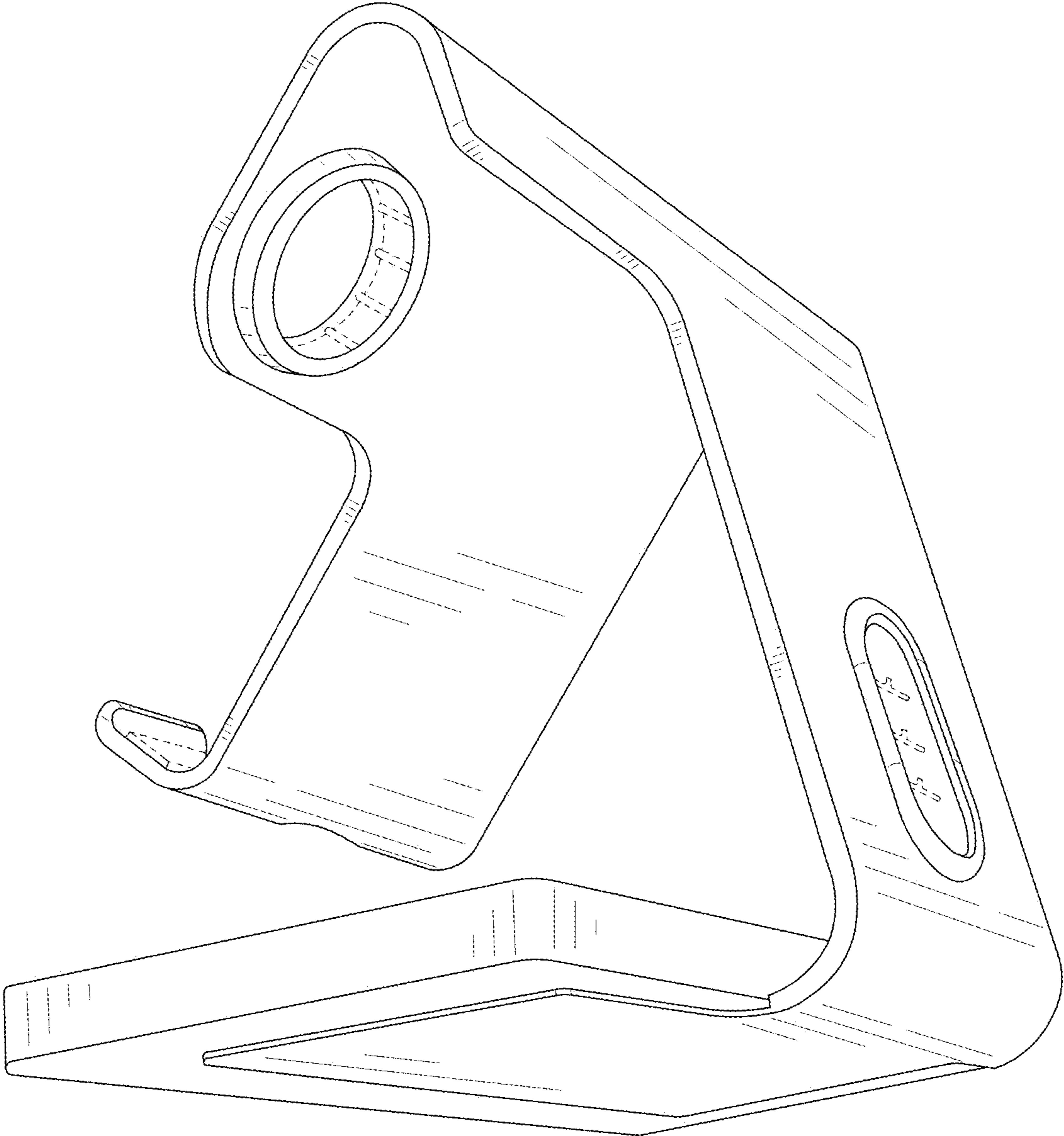


FIG. 7