



US00D886050S

(12) **United States Design Patent** (10) **Patent No.:** **US D886,050 S**
Zhang (45) **Date of Patent:** **** *Jun. 2, 2020**

(54) **PORTABLE POWER SOURCE**

(56) **References Cited**

(71) Applicant: **SHENZHEN SOUTH FORTUNE TECHNOLOGY CO., LTD.**, Shenzhen (CN)

U.S. PATENT DOCUMENTS

(72) Inventor: **Luojuan Zhang**, Guangdong (CN)

D652,379 S *	1/2012	Vandiver	D13/108
D675,156 S *	1/2013	Vandiver	D13/108
D687,375 S *	8/2013	Franco	D13/108
D695,214 S *	12/2013	Roberts	D13/107
D697,867 S *	1/2014	Weinstein	D13/108
D698,680 S *	2/2014	Burstein	D10/106.9
D743,332 S *	11/2015	Ju	D13/103
D745,456 S *	12/2015	Fung	D13/108
D776,050 S *	1/2017	Awad	D13/102
D782,974 S *	4/2017	Ju	D13/108
D791,697 S *	7/2017	Precheur	D13/107
D803,150 S *	11/2017	Florez, Jr.	D13/107
D803,779 S *	11/2017	Jung	D13/107
D824,328 S *	7/2018	Liu	D13/108
2007/0210749 A1 *	9/2007	Hsieh	H02J 7/0042 320/114
2013/0150134 A1 *	6/2013	Pliner	H01R 24/68 455/573

(73) Assignee: **SHENZHEN SOUTH FORTUNE TECHNOLOGY CO., LTD.**, Buji, Longgang Dist, Shenzhen, Guangdong (CN)

(*) Notice: This patent is subject to a terminal disclaimer.

(**) Term: **15 Years**

* cited by examiner

(21) Appl. No.: **29/633,389**

Primary Examiner — Janice Hallmark

(22) Filed: **Jan. 13, 2018**

Assistant Examiner — Nathaniel D Buckner

(51) **LOC (12) Cl.** **13-02**

(74) *Attorney, Agent, or Firm* — KA Filing LLC; Wayne V. Harper

(52) **U.S. Cl.**

USPC **D13/108**; D13/103

(58) **Field of Classification Search**

USPC D13/102–110, 118–119, 184, 199; D14/356, 432

CPC Y02E 60/10; Y02E 60/12; Y02E 60/122; Y02E 60/124; Y02E 60/50; H01M 2/02; H01M 2/022; H01M 2/0202; H01M 2/0207; H01M 2/0212; H01M 2/1061; H01M 2/1022; H01M 2/1055; H01M 2/1066; H01M 2/105; H01M 2/20; H01M 2/204; H01M 2/206; H01M 10/44; H01M 10/46; H01M 10/465; H01M 10/482; H01M 2200/30; H01M 2250/30; H01M 2250/40; H02J 7/00; H02J 7/0003; H02J 7/0011; H02J 7/0013; H02J 7/0054; H02J 7/0055; H02J 7/0057; H02J 2007/0062

See application file for complete search history.

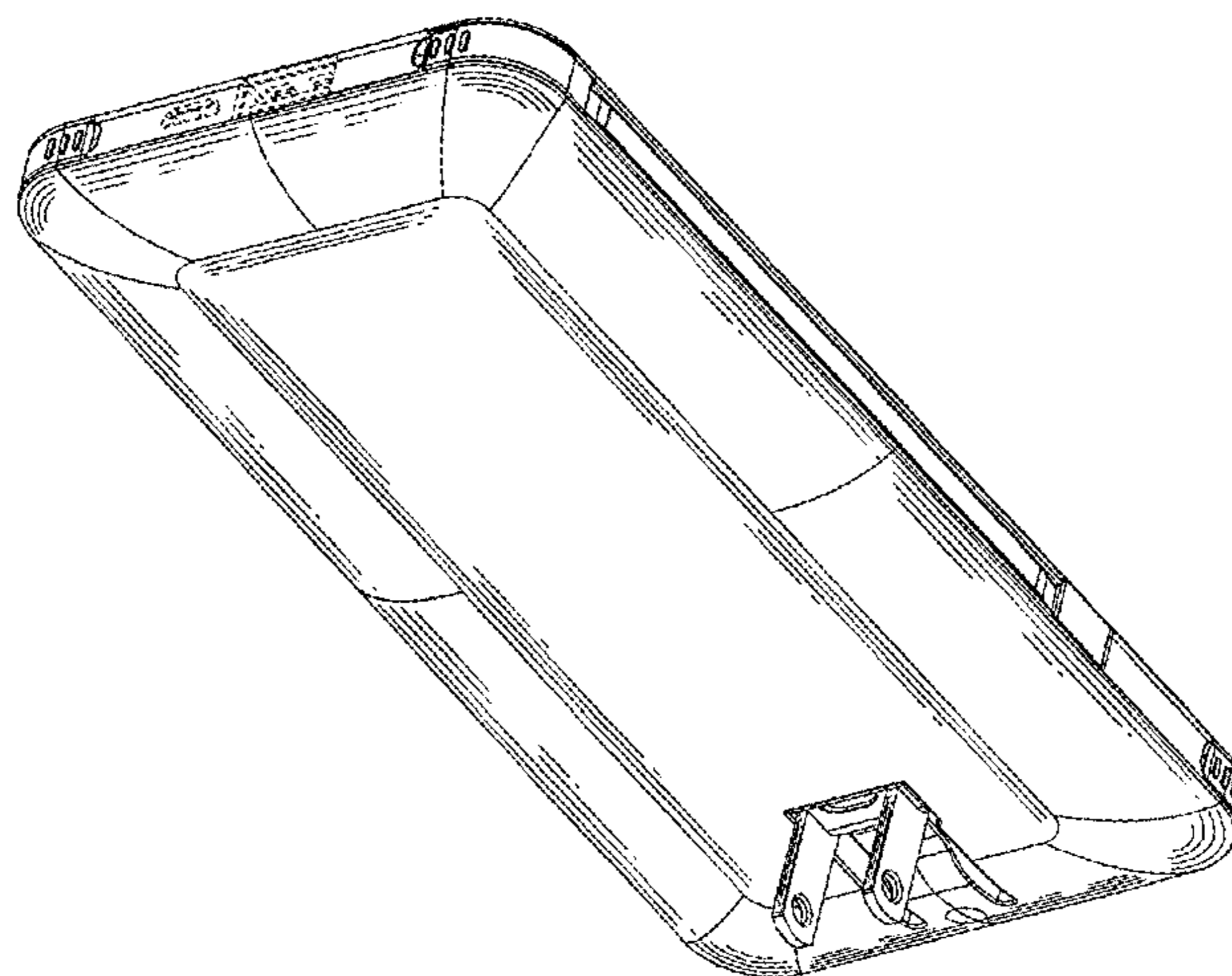
(57) **CLAIM**

The ornamental design for a portable power source, as shown and described.

DESCRIPTION

FIG. 1 is a perspective view of a portable power source showing my new design; FIG. 2 is a front elevational view thereof; FIG. 3 is a rear elevational view thereof; FIG. 4 is a left side elevational view thereof; FIG. 5 is a right side elevational view thereof; FIG. 6 is a top plan view thereof; and, FIG. 7 is a bottom plan view thereof. The broken lines in the figures illustrate the portions of the design that form no part of the claimed design.

1 Claim, 7 Drawing Sheets



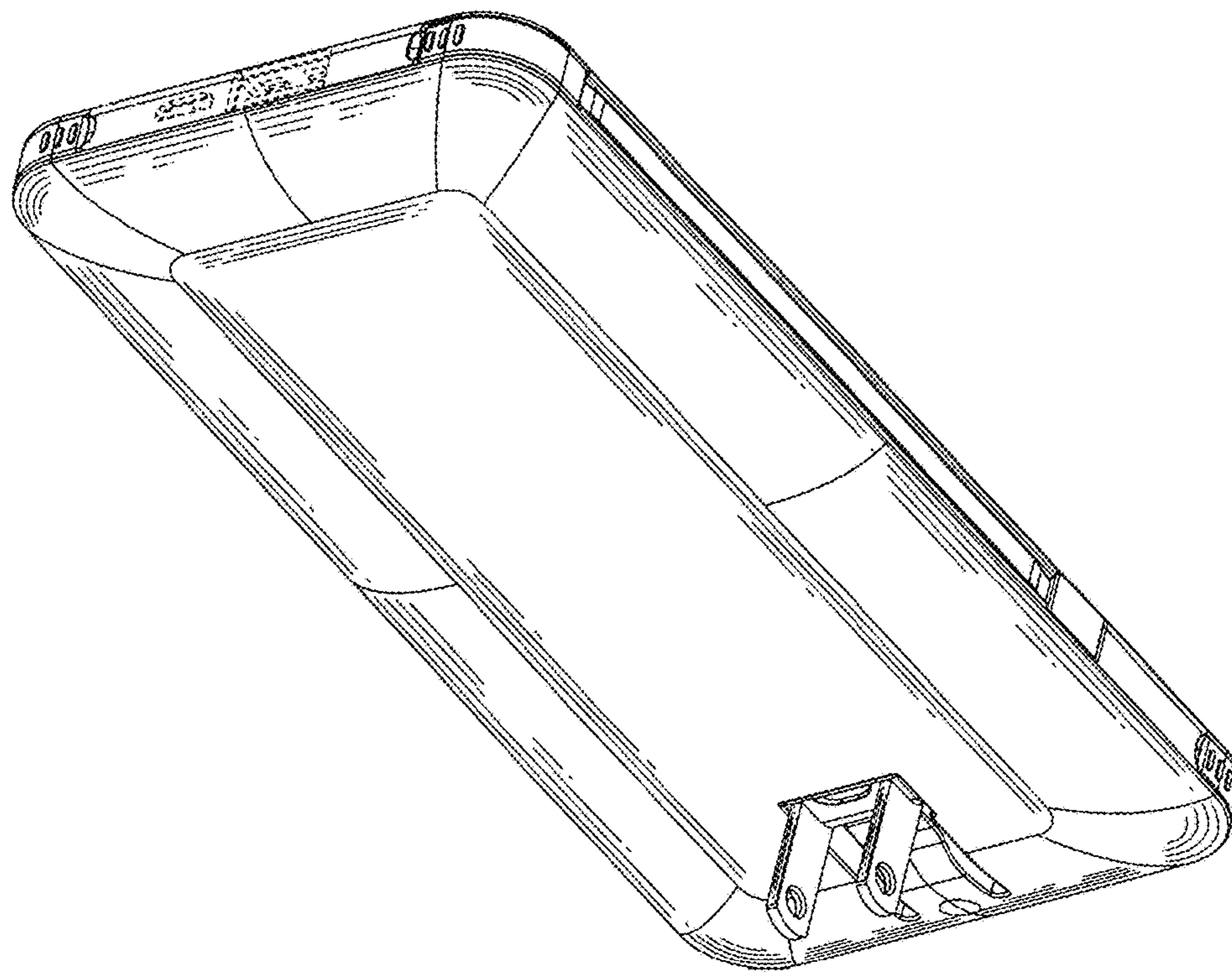


FIG. 1

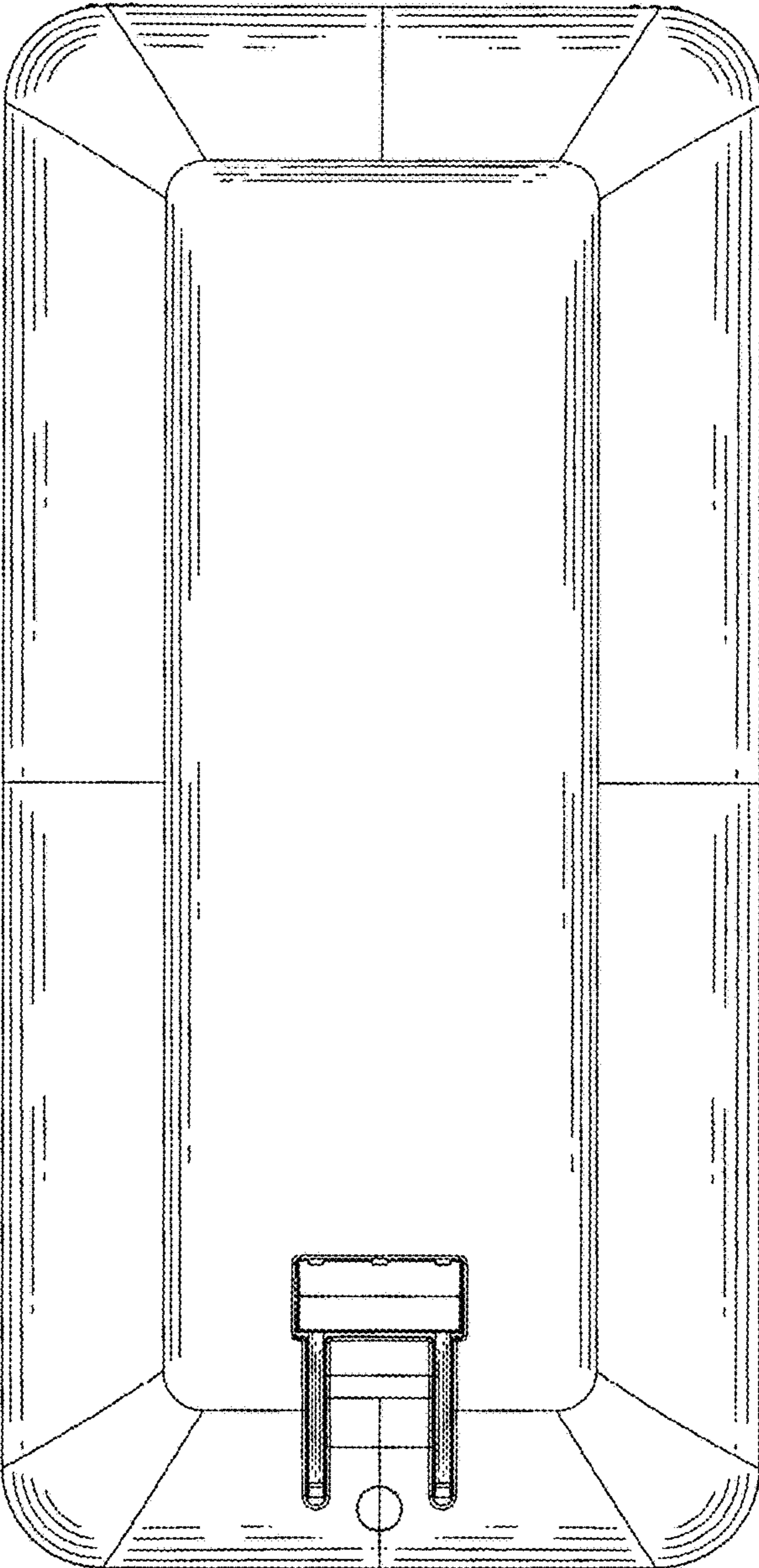


FIG. 2

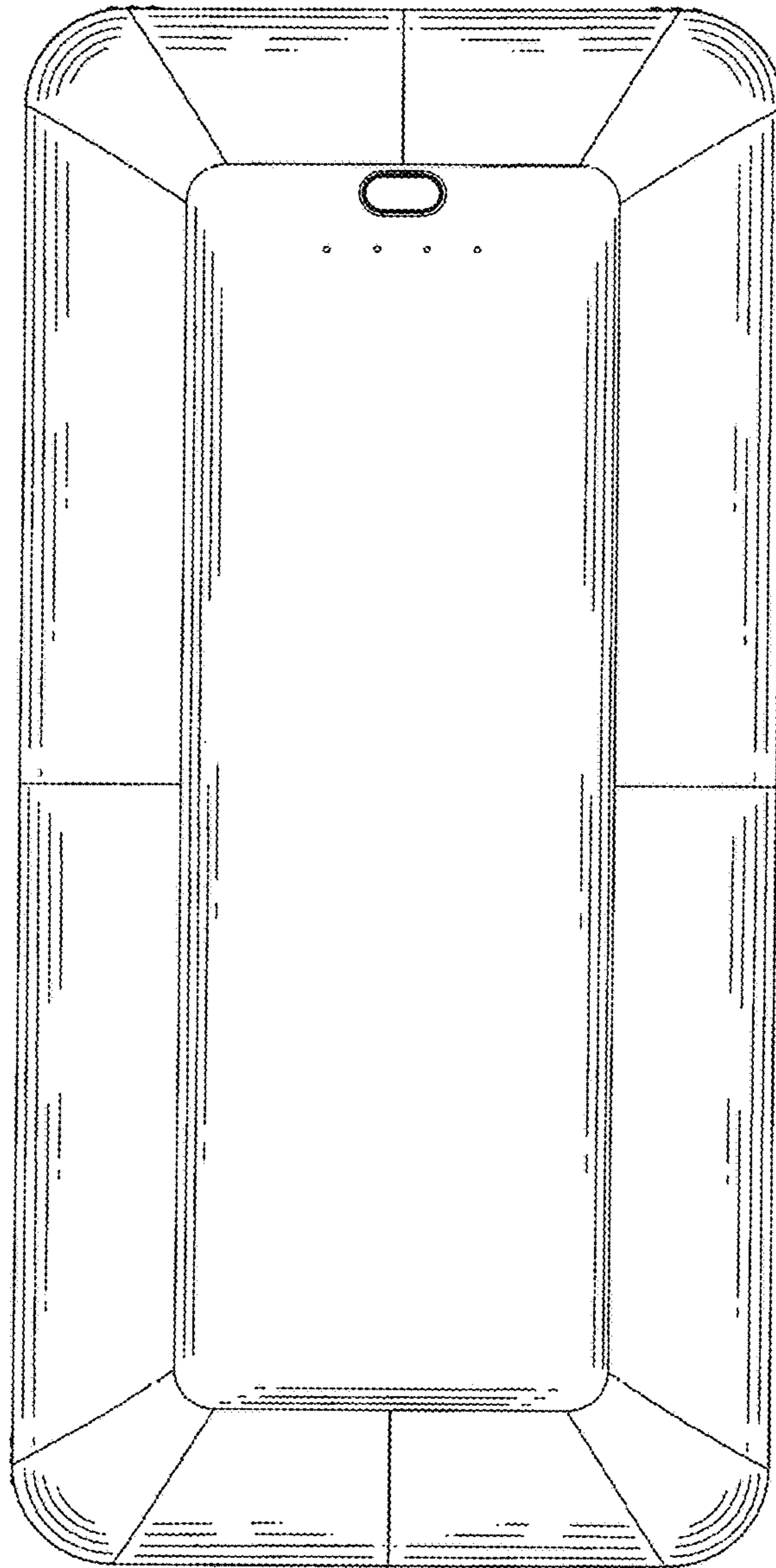


FIG. 3

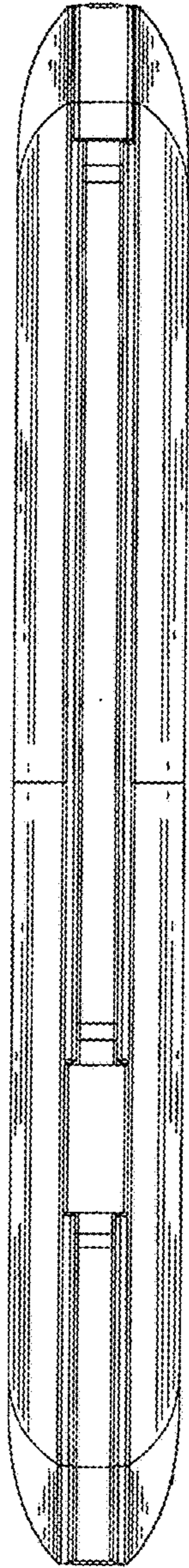


FIG. 4

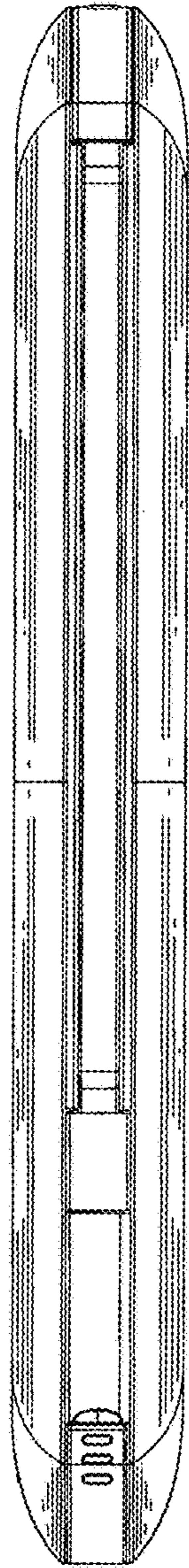


FIG. 5

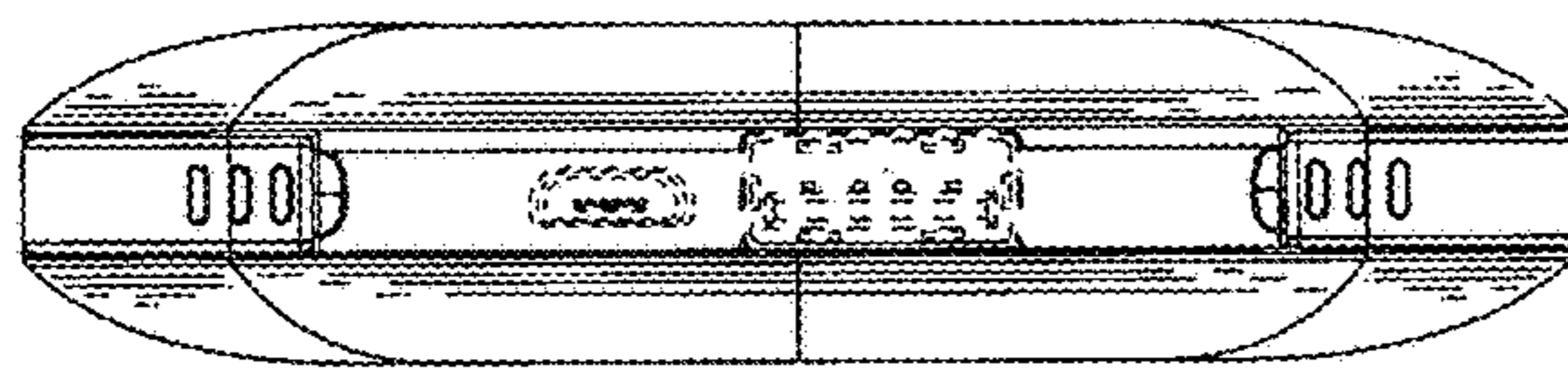


FIG. 6

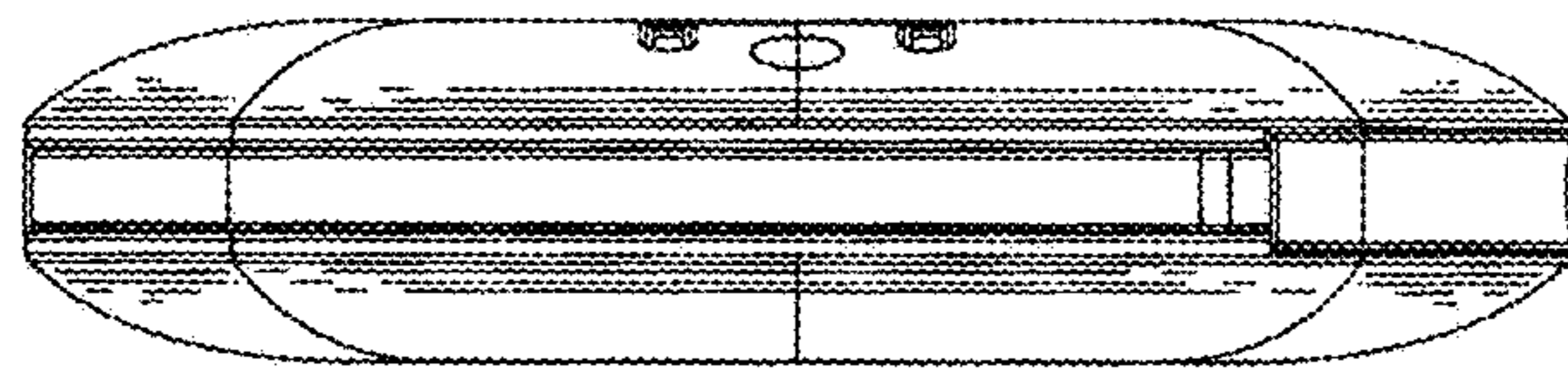


FIG. 7