



US00D886047S

(12) **United States Design Patent**
Hung et al.

(10) **Patent No.:** **US D886,047 S**
(45) **Date of Patent:** **** Jun. 2, 2020**

(54) **POWER STATION**

Primary Examiner — Rosemary K Tarcza
(74) *Attorney, Agent, or Firm* — JCIPRNET

(71) Applicant: **Merry Electronics(Shenzhen) Co., Ltd.**, Guangdong (CN)

(72) Inventors: **Yu-Ting Hung**, Taichung (TW);
Chung-Yi Huang, Taichung (TW)

(57) **CLAIM**

(73) Assignee: **Merry Electronics(Shenzhen) Co., Ltd.**, ShenZhen (CN)

The ornamental design for a power station, as shown and described.

(**) Term: **15 Years**

(21) Appl. No.: **29/631,764**

DESCRIPTION

(22) Filed: **Jan. 3, 2018**

(51) **LOC (12) Cl.** **13-02**

(52) **U.S. Cl.**
USPC **D13/107; D13/103**

(58) **Field of Classification Search**
USPC D13/103–104, 106–110, 118–119, 184,
D13/199; D14/251, 253, 432, 434;
D15/9
CPC Y02E 60/10; Y02E 60/12; Y02E 60/122;
Y02E 60/124; Y02E 60/50; H02J 7/00;
H02J 7/0003; H02J 7/0011; H02J 7/0013;
H02J 7/0034; H02J 7/0054; H02J 7/0055;
H02J 7/0057; H02J 7/1423; H02J
2001/006; H01M 10/44; H01M 10/46;
H01M 10/465; H01M 10/482; H01M
2/02; H01M 2/022; H01M 2/0202; H01M
2/0207; H01M 2/0212; H01M 2/1061;
H01M 2/1022; H01M 2/1055; H01M
2/1066; H01M 2/105; H01M 2/20; H01M
2/202; H01M 2/204; H01M 2/206; H01M
2200/30; H01M

FIG. 1 is a perspective view of a power station showing a first embodiment of our new design;
FIG. 2 is another perspective view thereof;
FIG. 3 is a front view thereof;
FIG. 4 is a rear view thereof;
FIG. 5 is a left side view thereof;
FIG. 6 is a right side view thereof;
FIG. 7 is a top view thereof;
FIG. 8 is a bottom view thereof;
FIG. 9 is another perspective view thereof with the power expansion accessory engaged;
FIG. 10 is a perspective view of a power station showing a second embodiment of our new design;
FIG. 11 is another perspective view thereof;
FIG. 12 is a front view thereof;
FIG. 13 is a rear view thereof;
FIG. 14 is a left side view thereof;
FIG. 15 is a right side view thereof;
FIG. 16 is a top view thereof;
FIG. 17 is a bottom view thereof; and,
FIG. 18 is another perspective view thereof with the power expansion accessory engaged.

(Continued)

The dashed broken lines illustrate portions of the power station that form no part of the claimed design. The dot-dash broken lines represent the boundaries of the claimed design, and form no part thereof. The dashed broken lines showing a power expansion accessory in FIGS. 9 and 18 are for the purpose of illustrating environmental structure, and form no part of the claimed design.

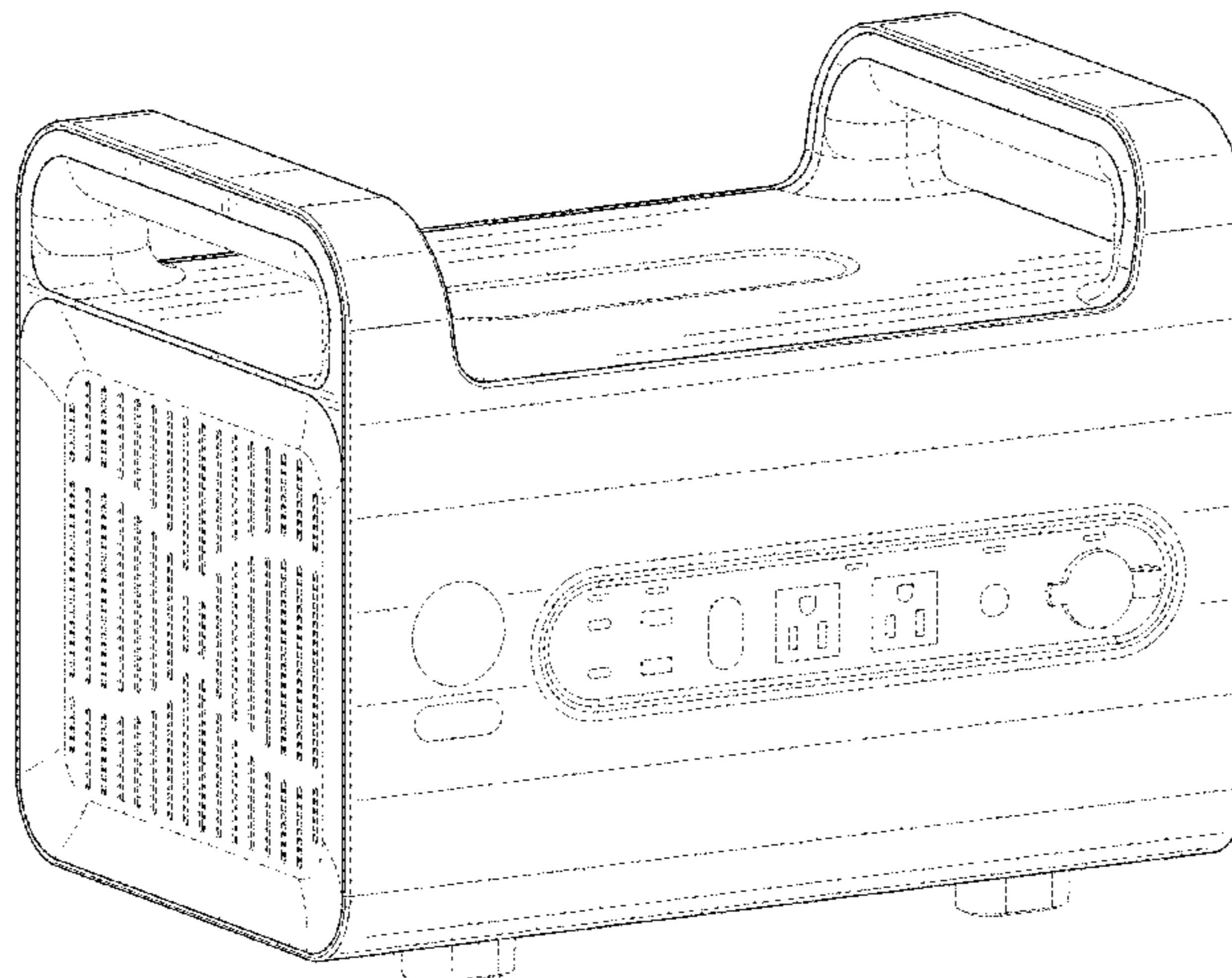
(56) **References Cited**

U.S. PATENT DOCUMENTS

D420,324 S * 2/2000 Wan D13/107
D491,139 S * 6/2004 Krieger D13/107
D491,141 S * 6/2004 Krieger D13/107

(Continued)

1 Claim, 16 Drawing Sheets



(58) **Field of Classification Search**

CPC 2250/30; H01M 2250/40; Y02T 10/7005;
Y02T 10/705; Y02T 10/7088

See application file for complete search history.

(56) **References Cited**

U.S. PATENT DOCUMENTS

D506,723	S	*	6/2005	Krieger	D13/107
D506,724	S	*	6/2005	Hriscu	D13/107
D511,491	S	*	11/2005	Hriscu	D13/107
D527,340	S	*	8/2006	Christiani	D13/107
D527,342	S	*	8/2006	Krieger	D13/107
D530,271	S	*	10/2006	Hriscu	D13/107
D530,272	S	*	10/2006	Hulden	D13/107
D664,499	S	*	7/2012	Workman	D13/107
D684,115	S	*	6/2013	Inskeep	D13/107
D762,165	S	*	7/2016	Rowe	D13/103
D764,403	S	*	8/2016	Azuma	D13/103
D823,789	S	*	7/2018	Yang	D13/107
D837,149	S	*	1/2019	Yin	D13/108
D840,925	S	*	2/2019	Tschopp	D13/107
D842,240	S	*	3/2019	Lai	D13/107

* cited by examiner

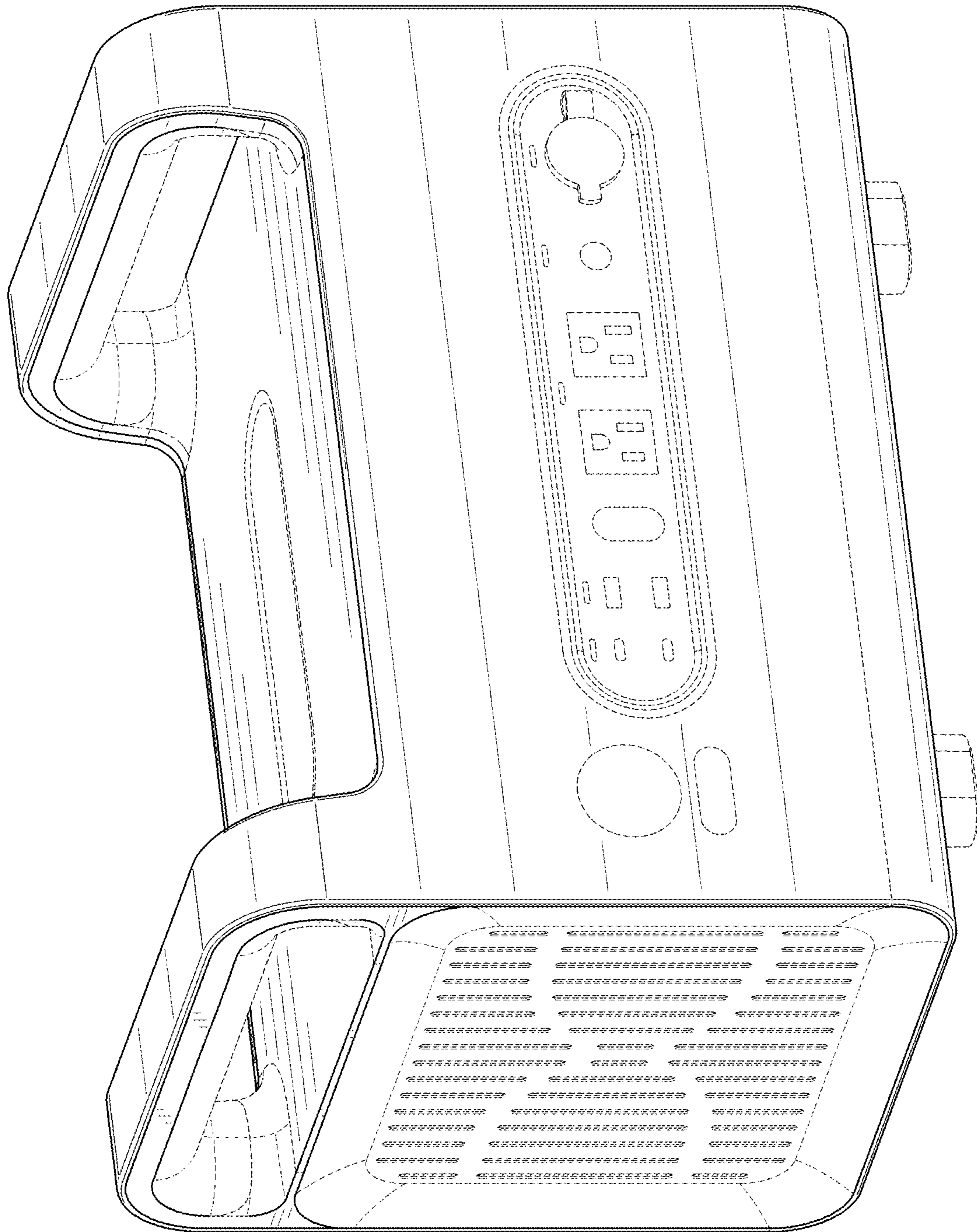


FIG. 1

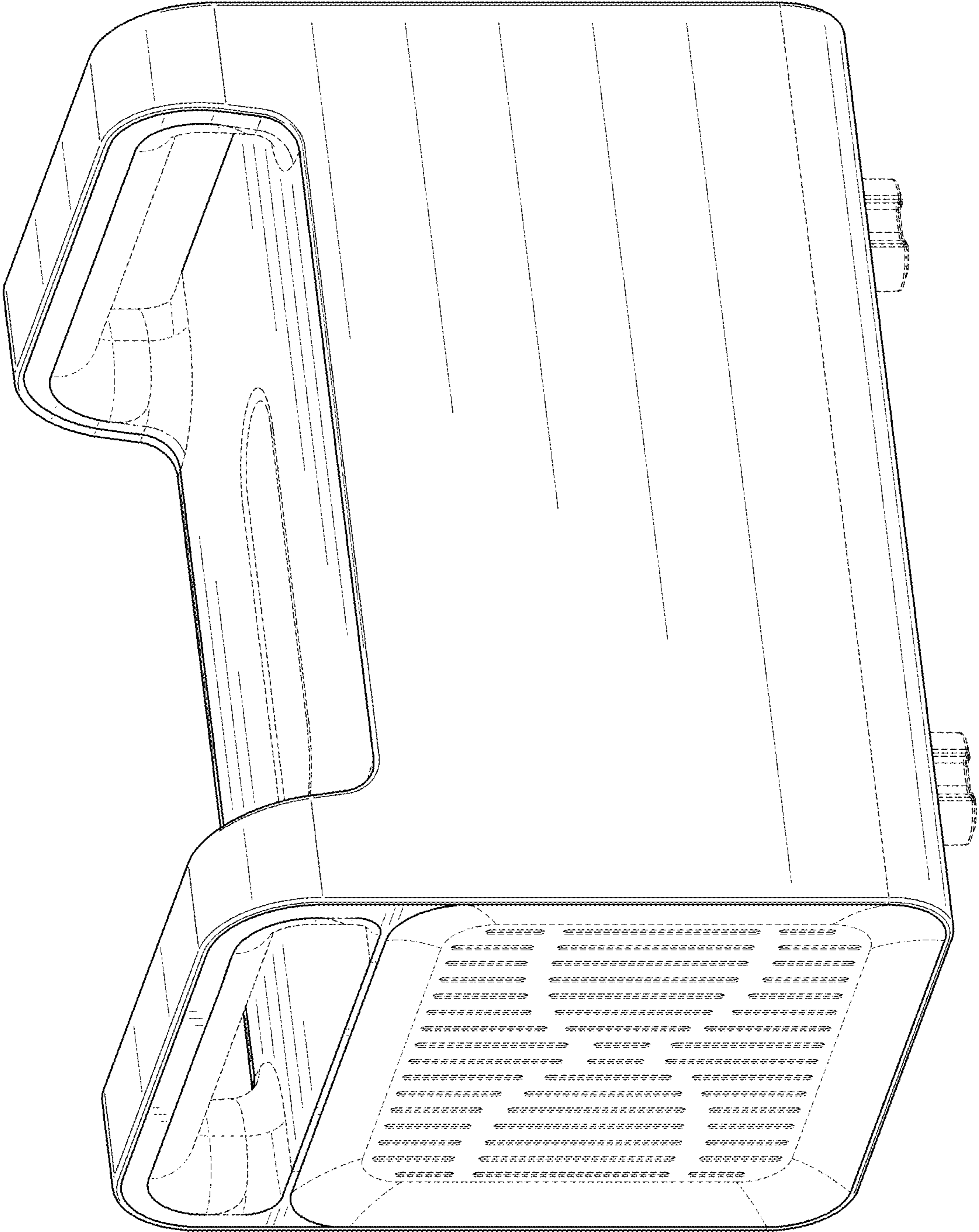


FIG. 2

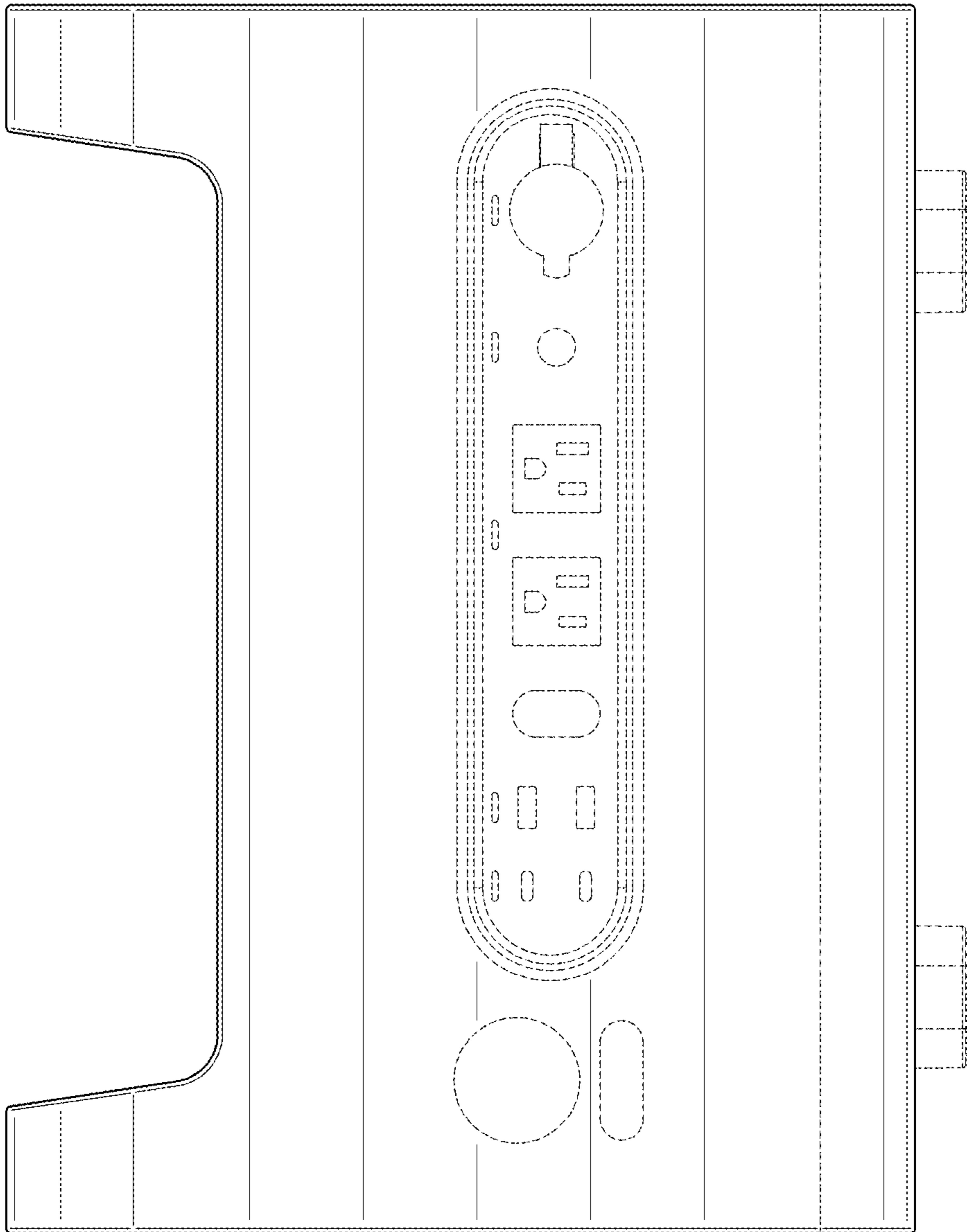


FIG. 3

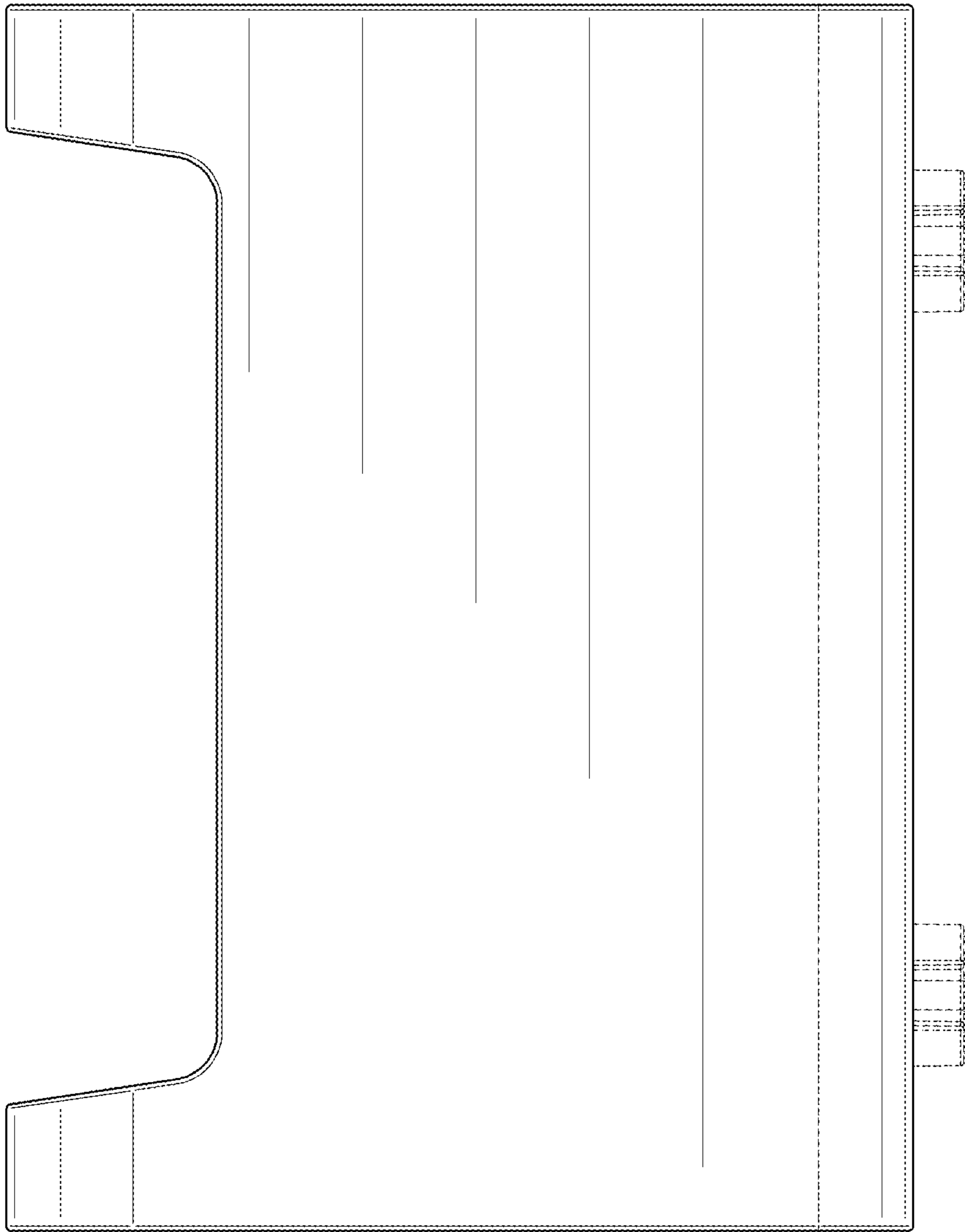


FIG. 4

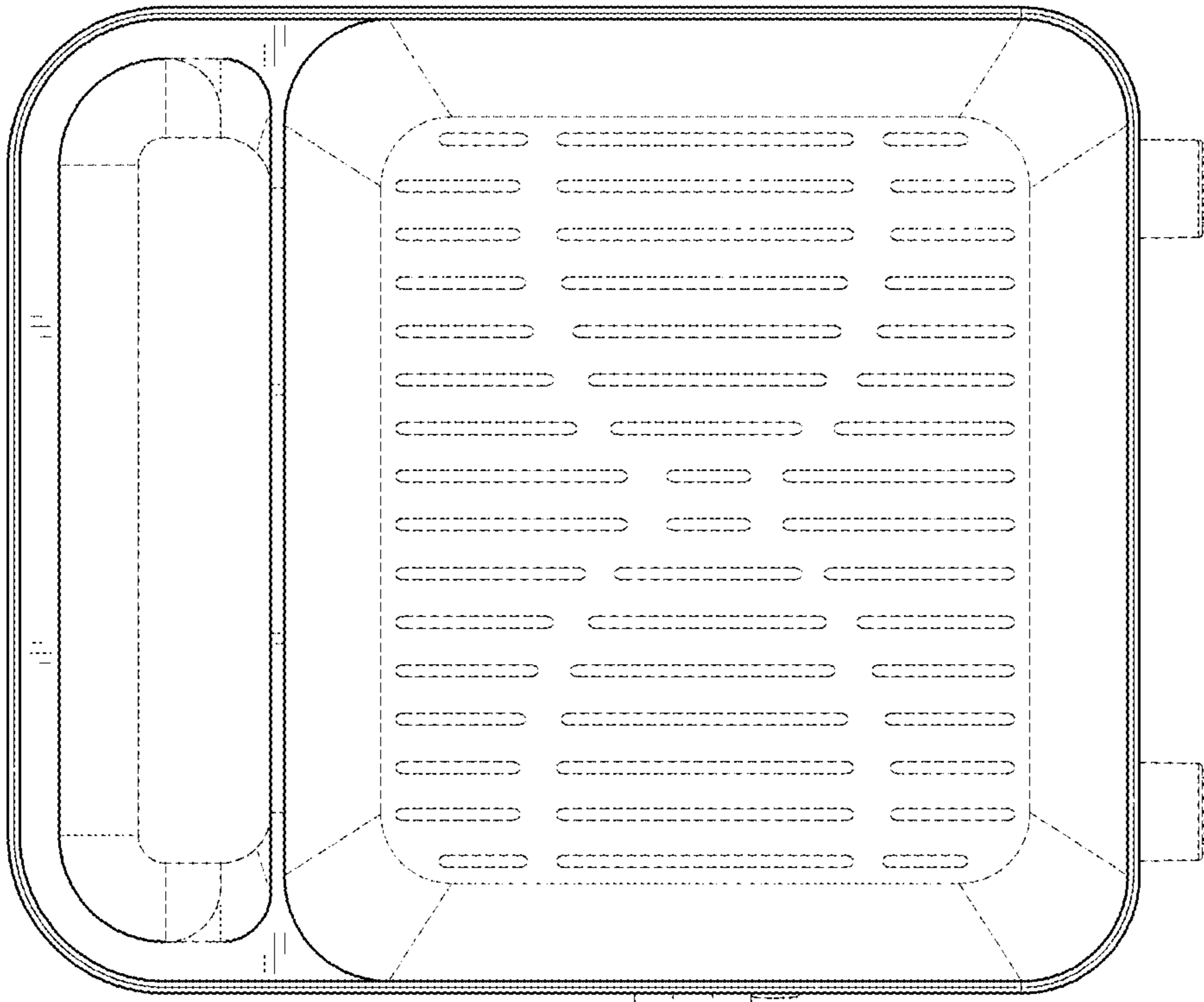


FIG. 6

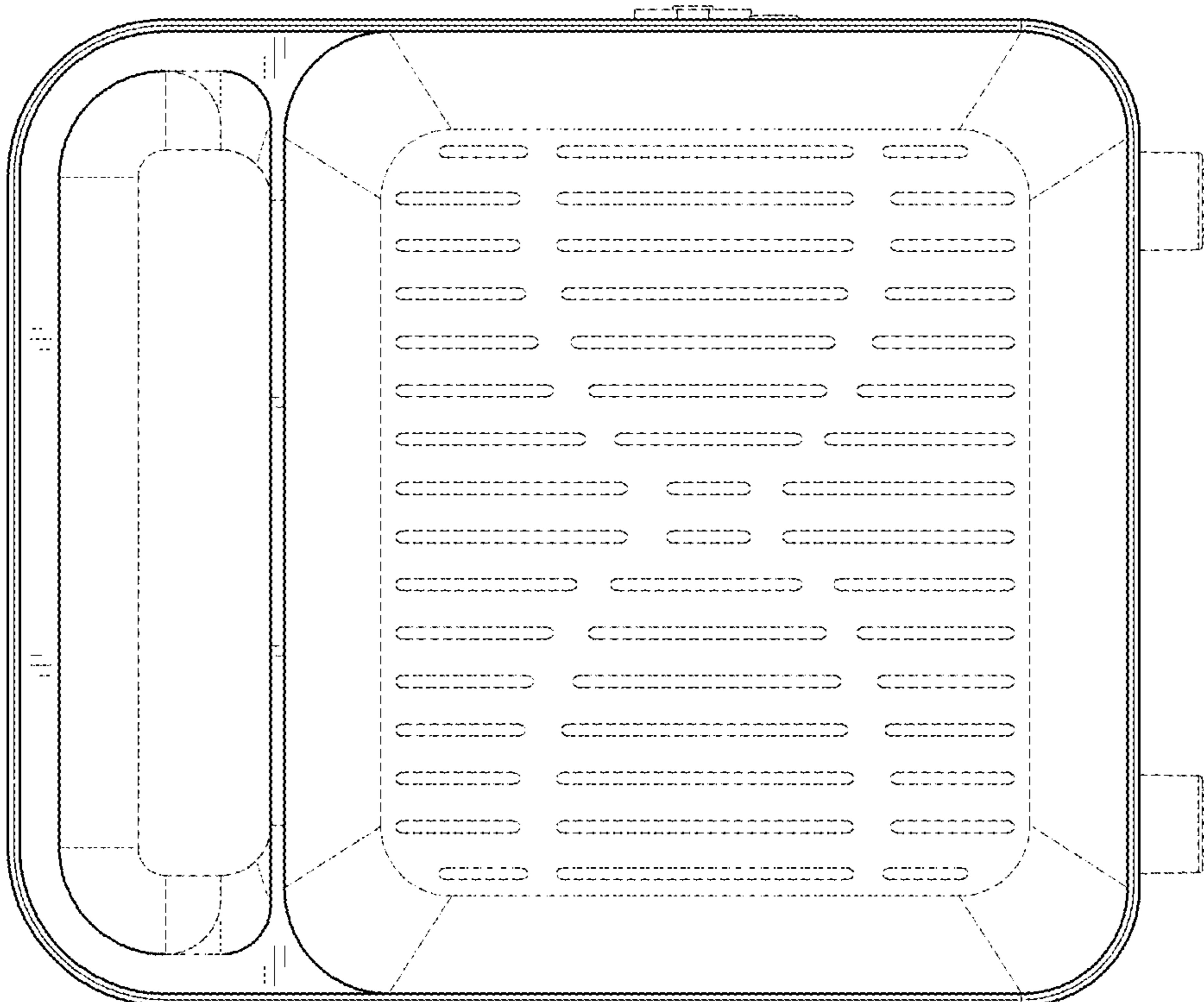


FIG. 5

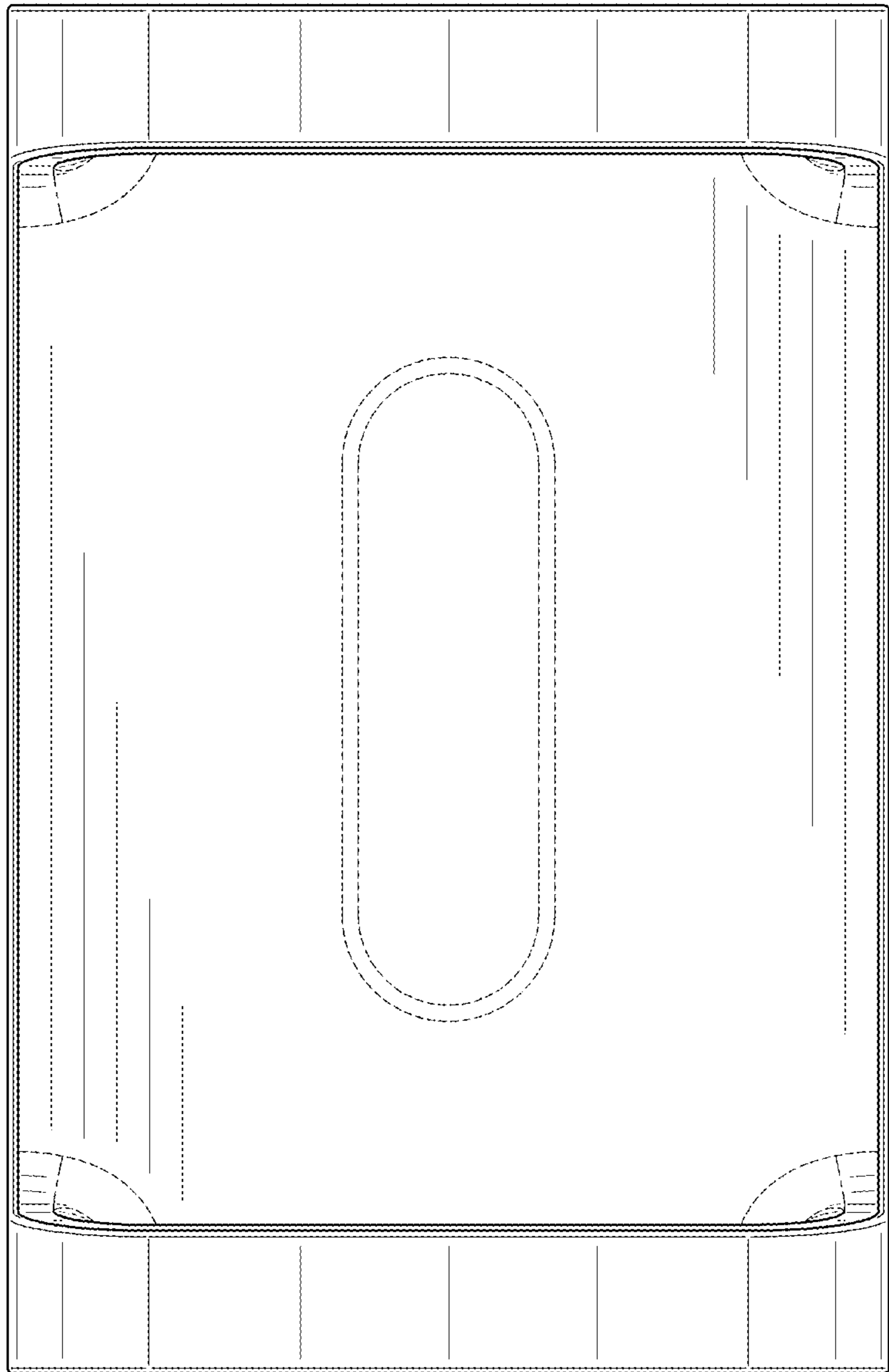


FIG. 7

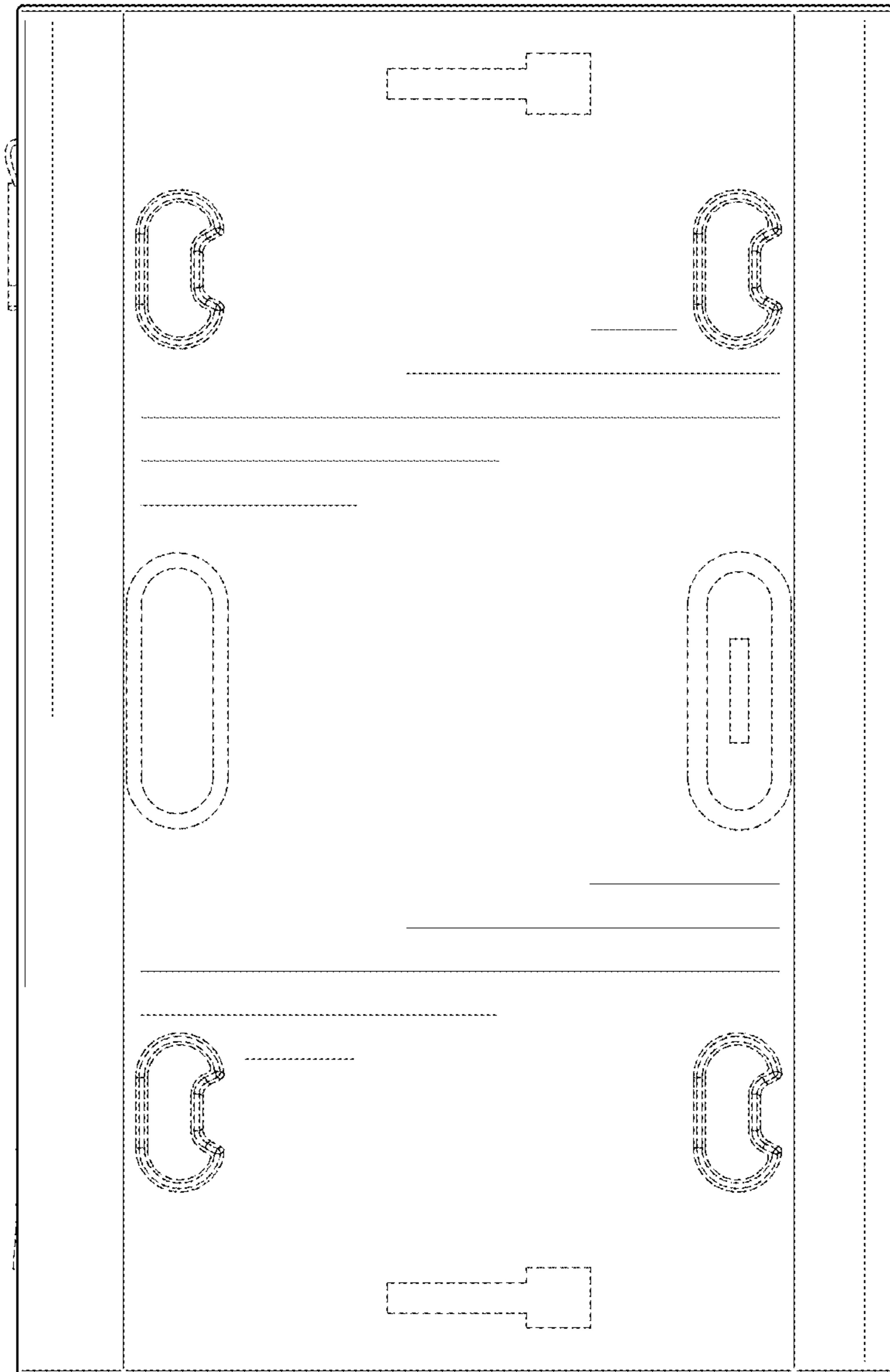


FIG. 8

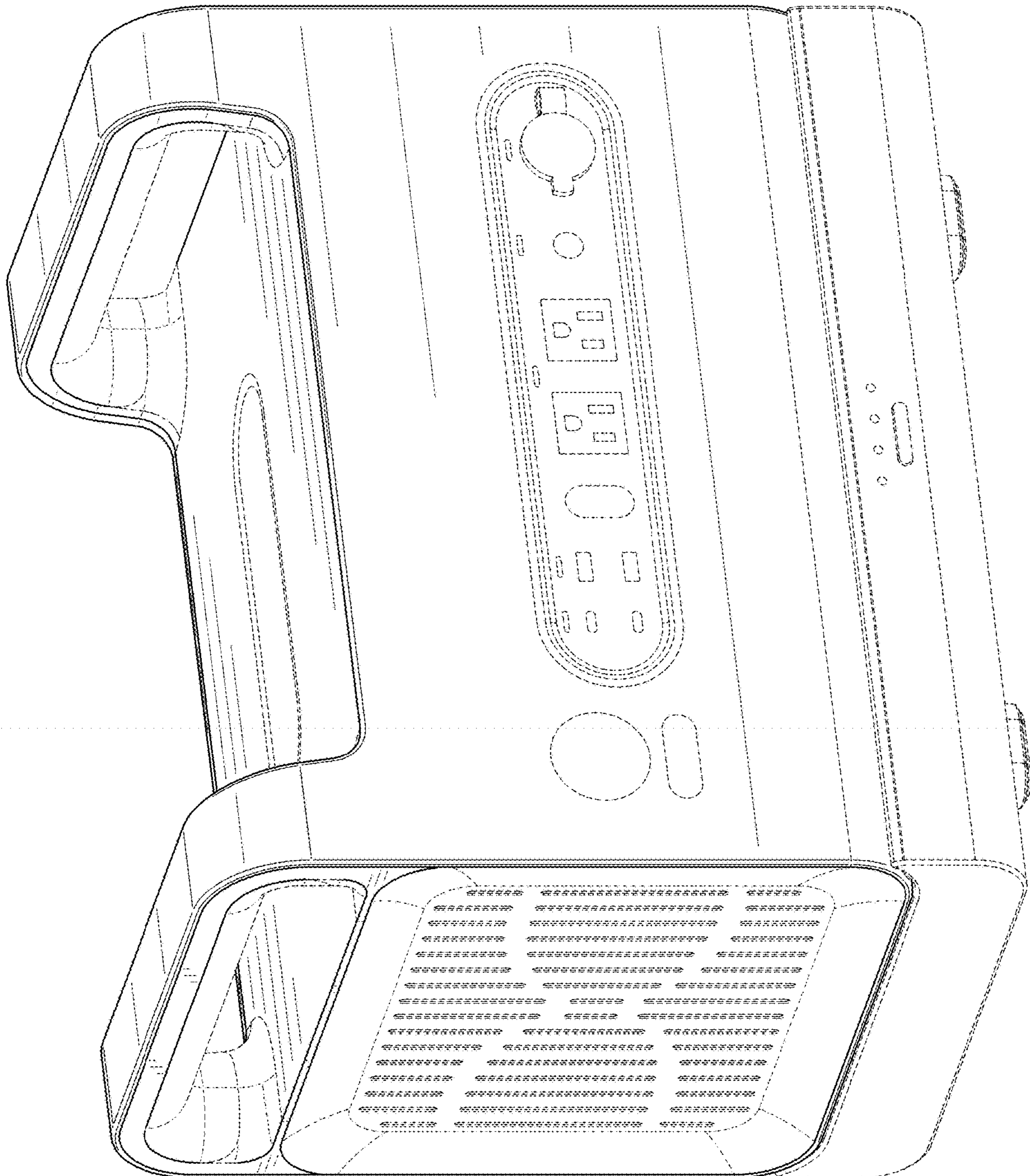


FIG. 9

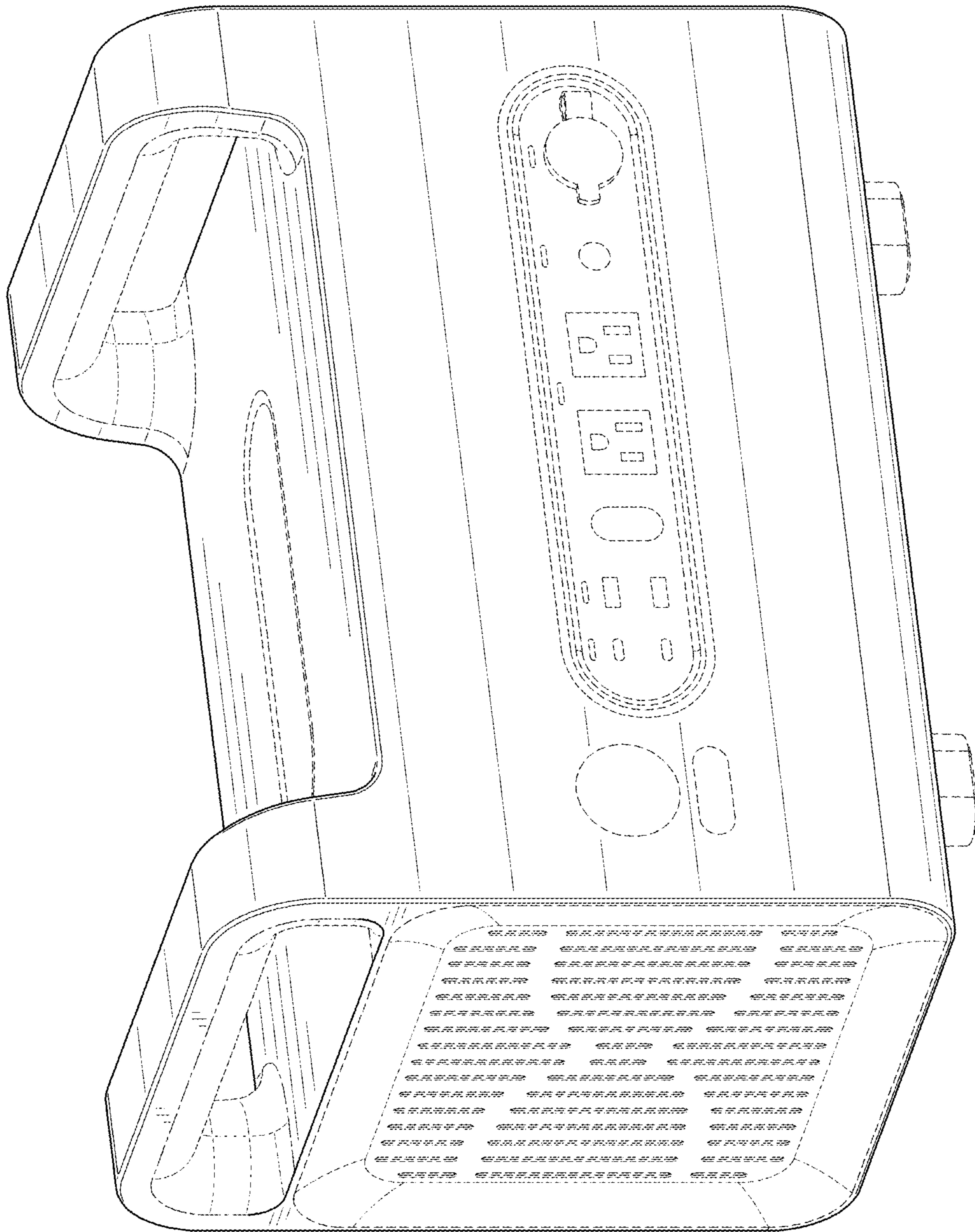


FIG. 10

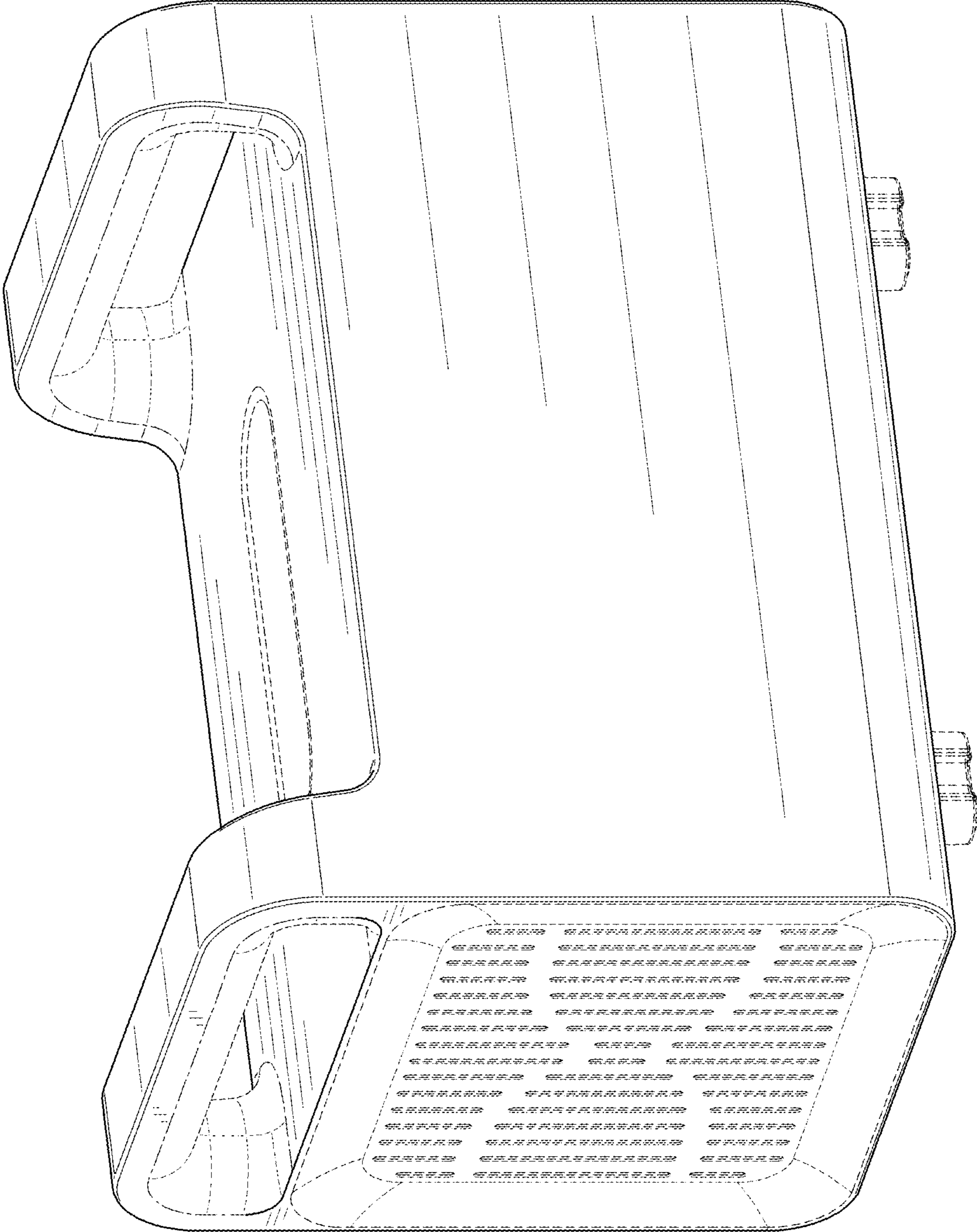


FIG. 11

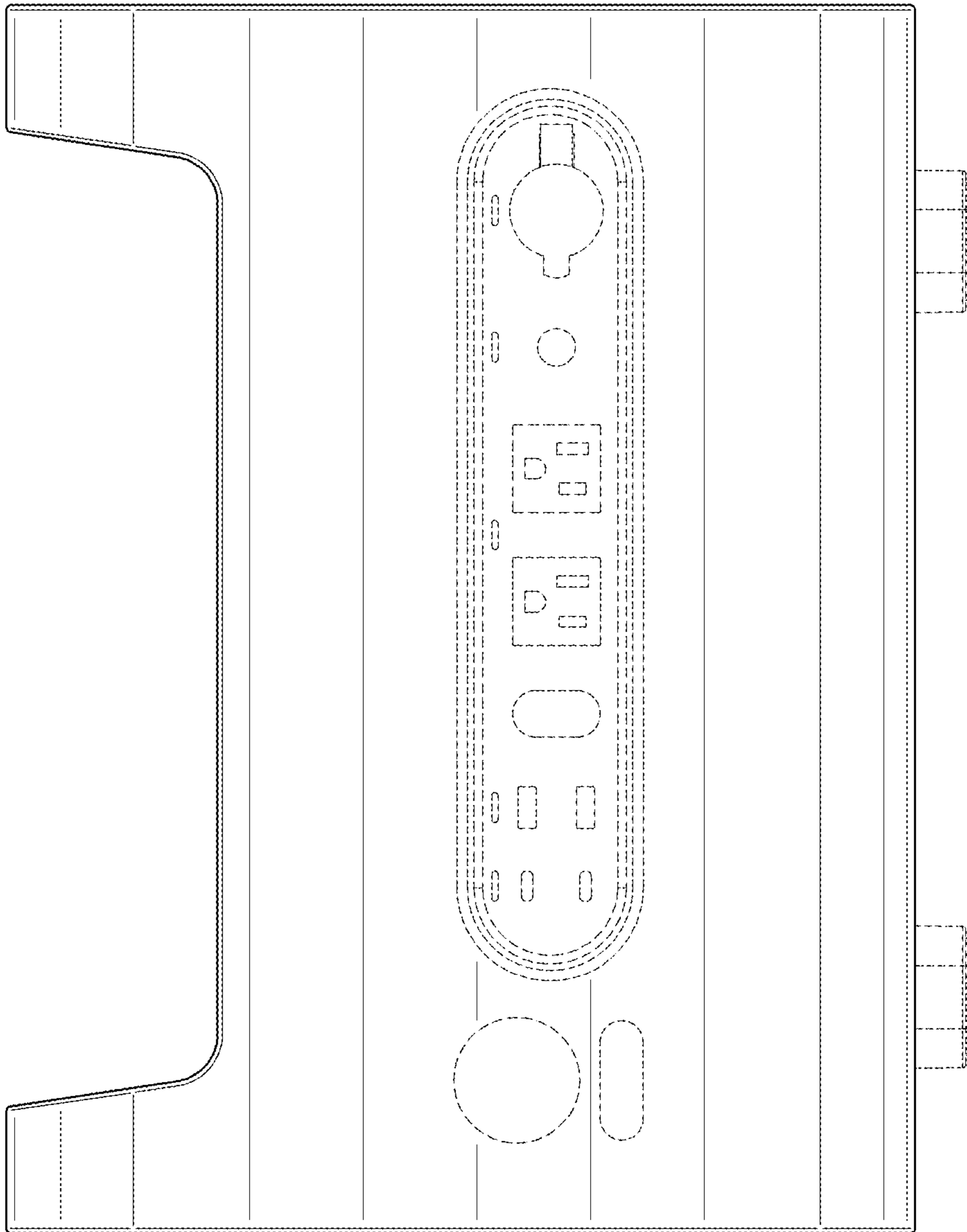


FIG. 12

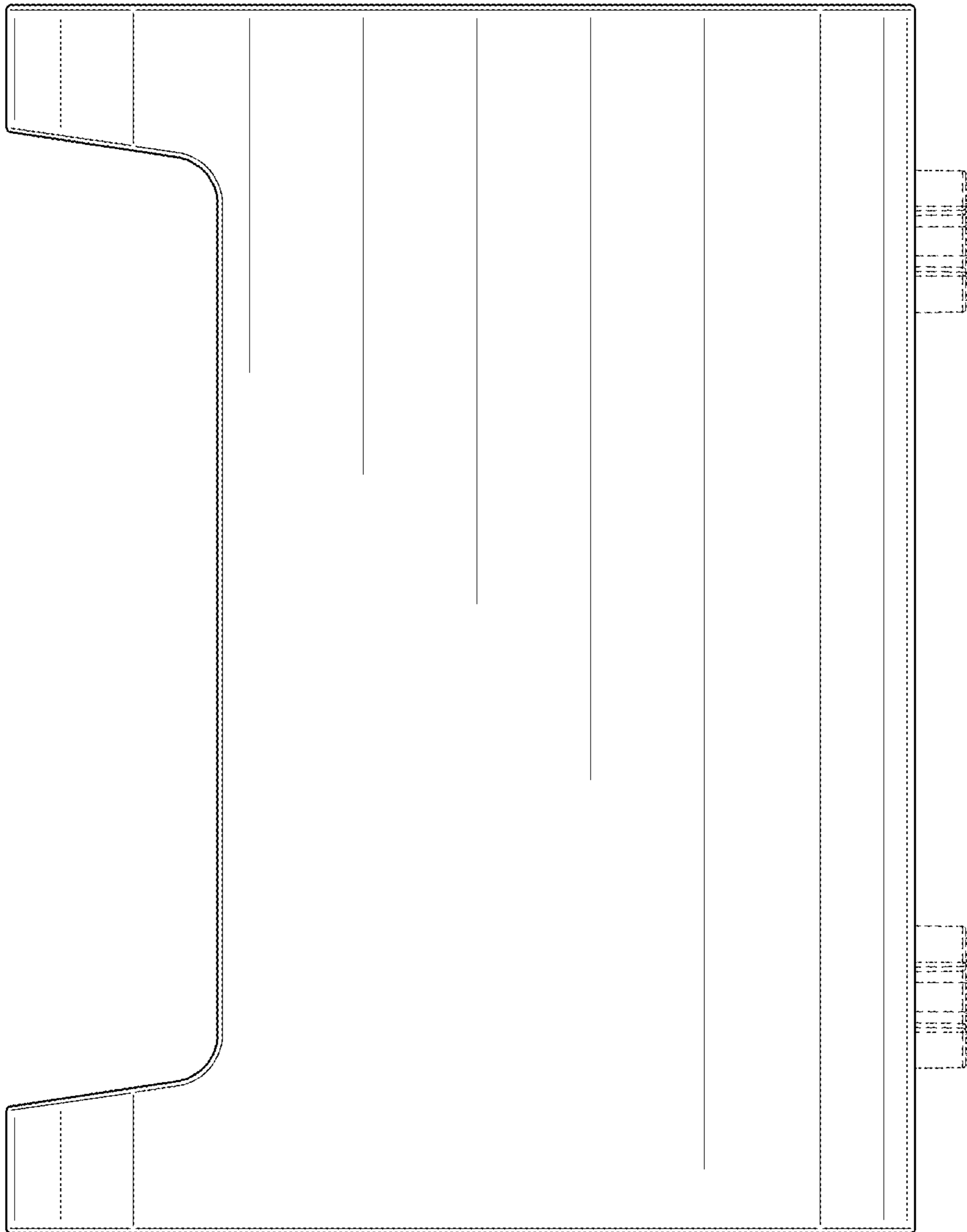


FIG. 13

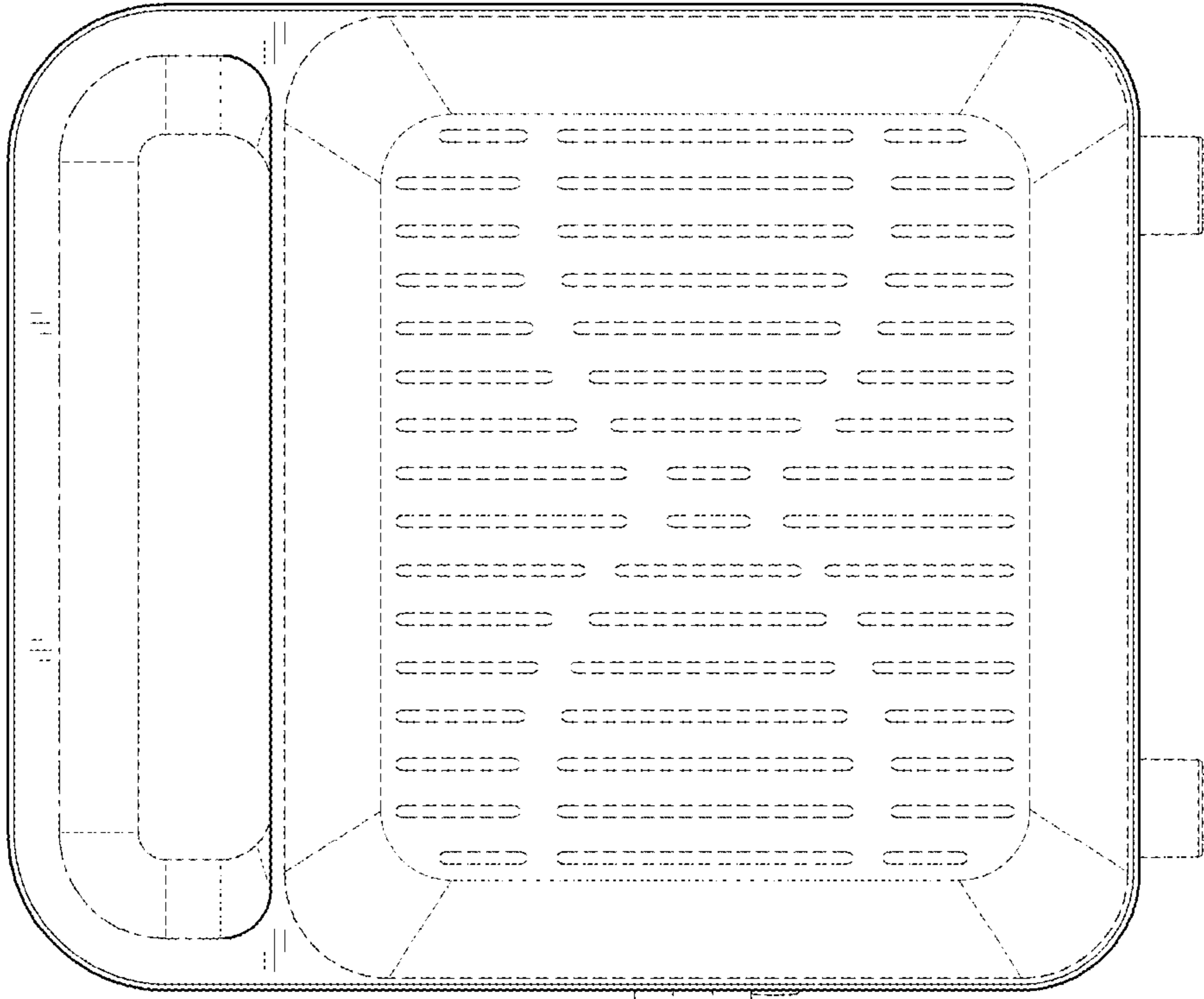


FIG. 15

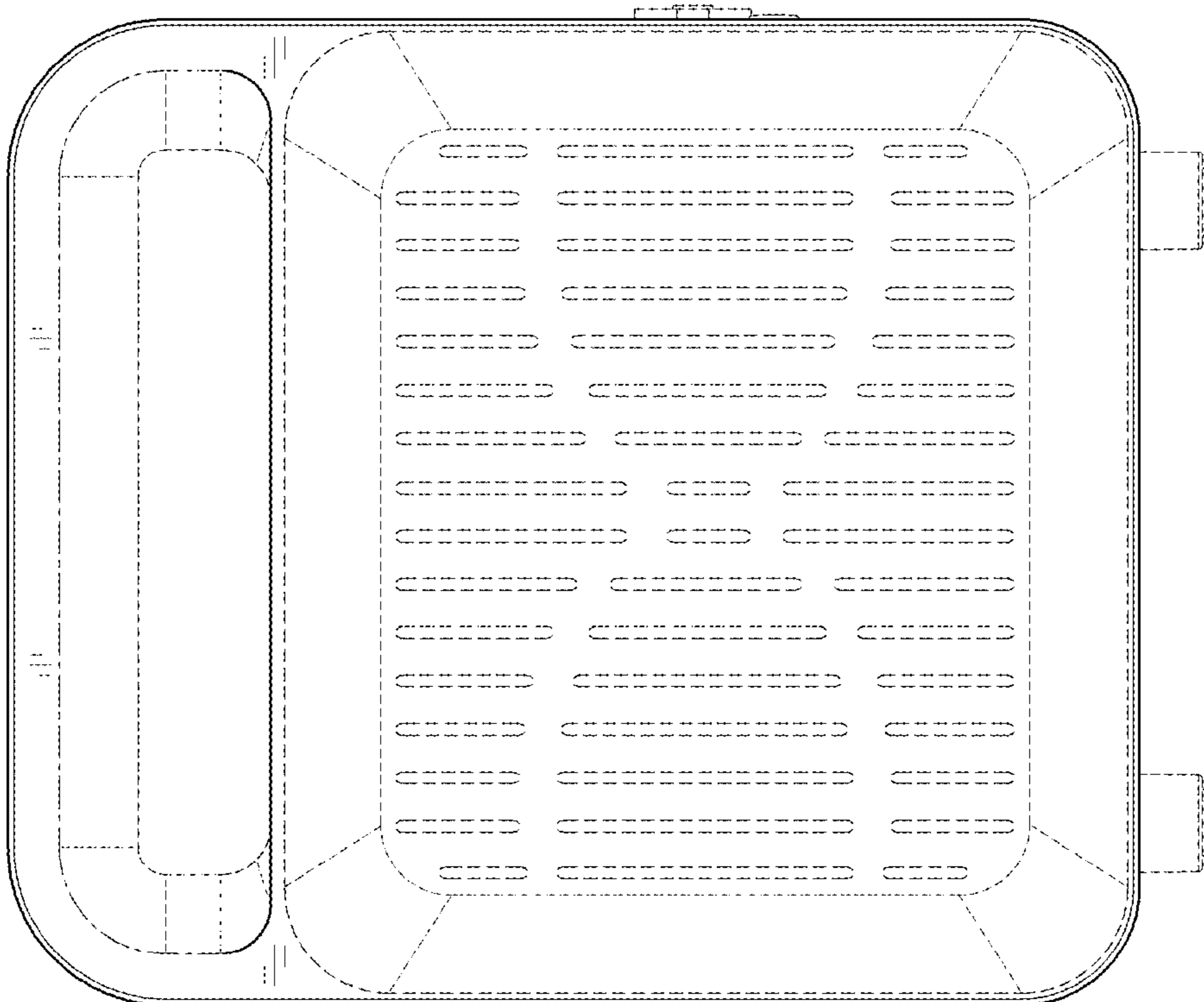


FIG. 14

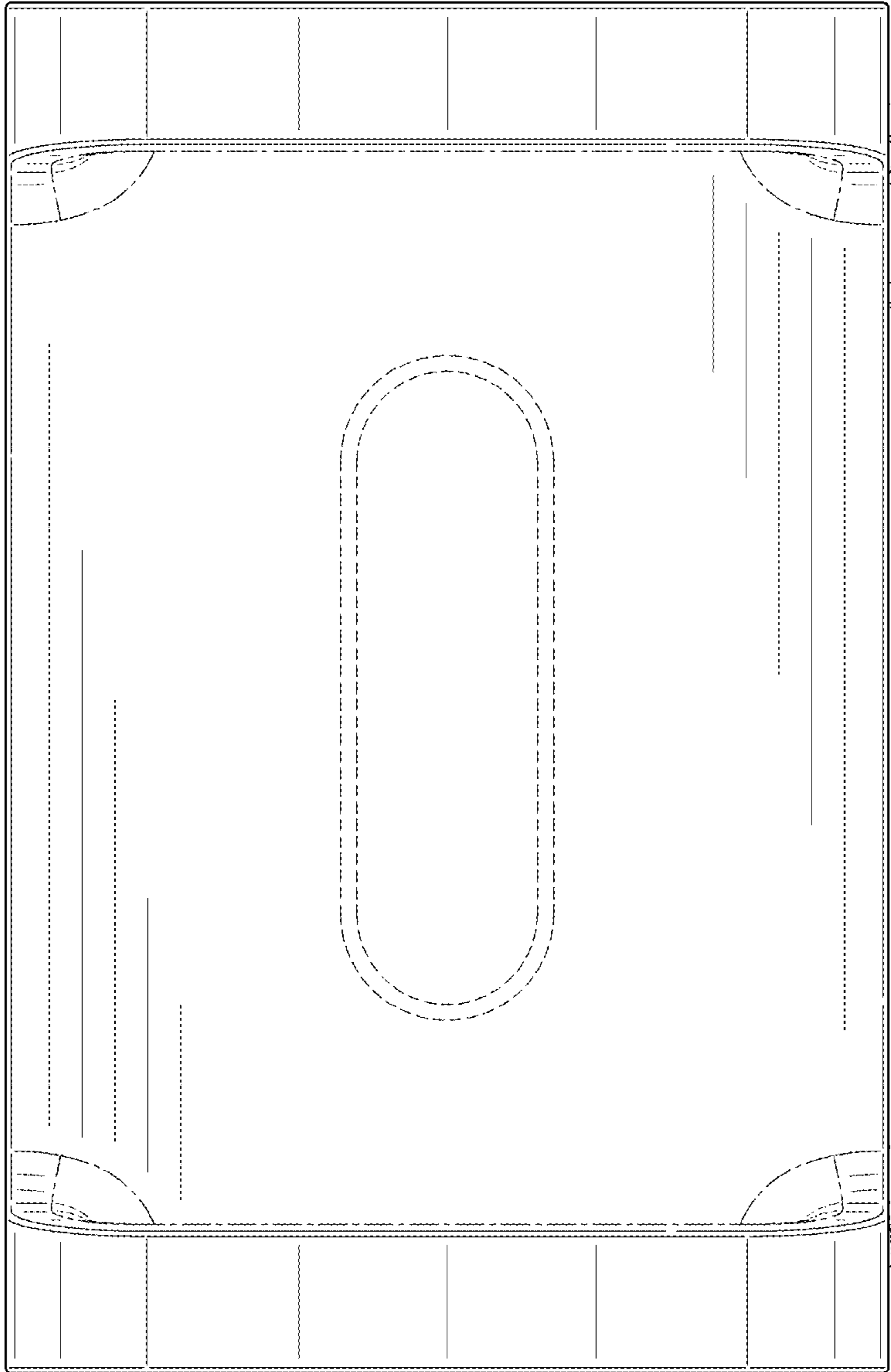


FIG. 16

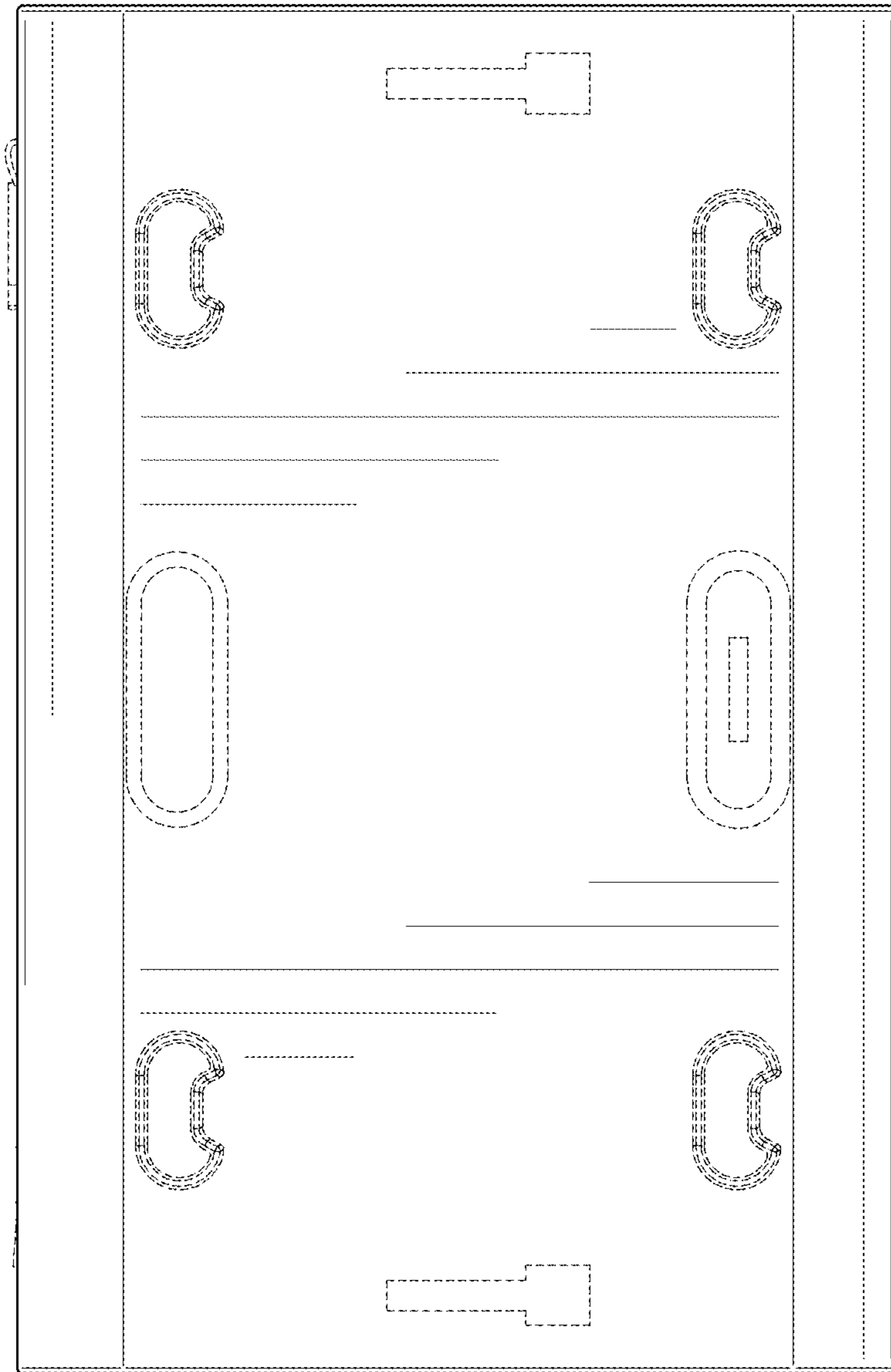


FIG. 17

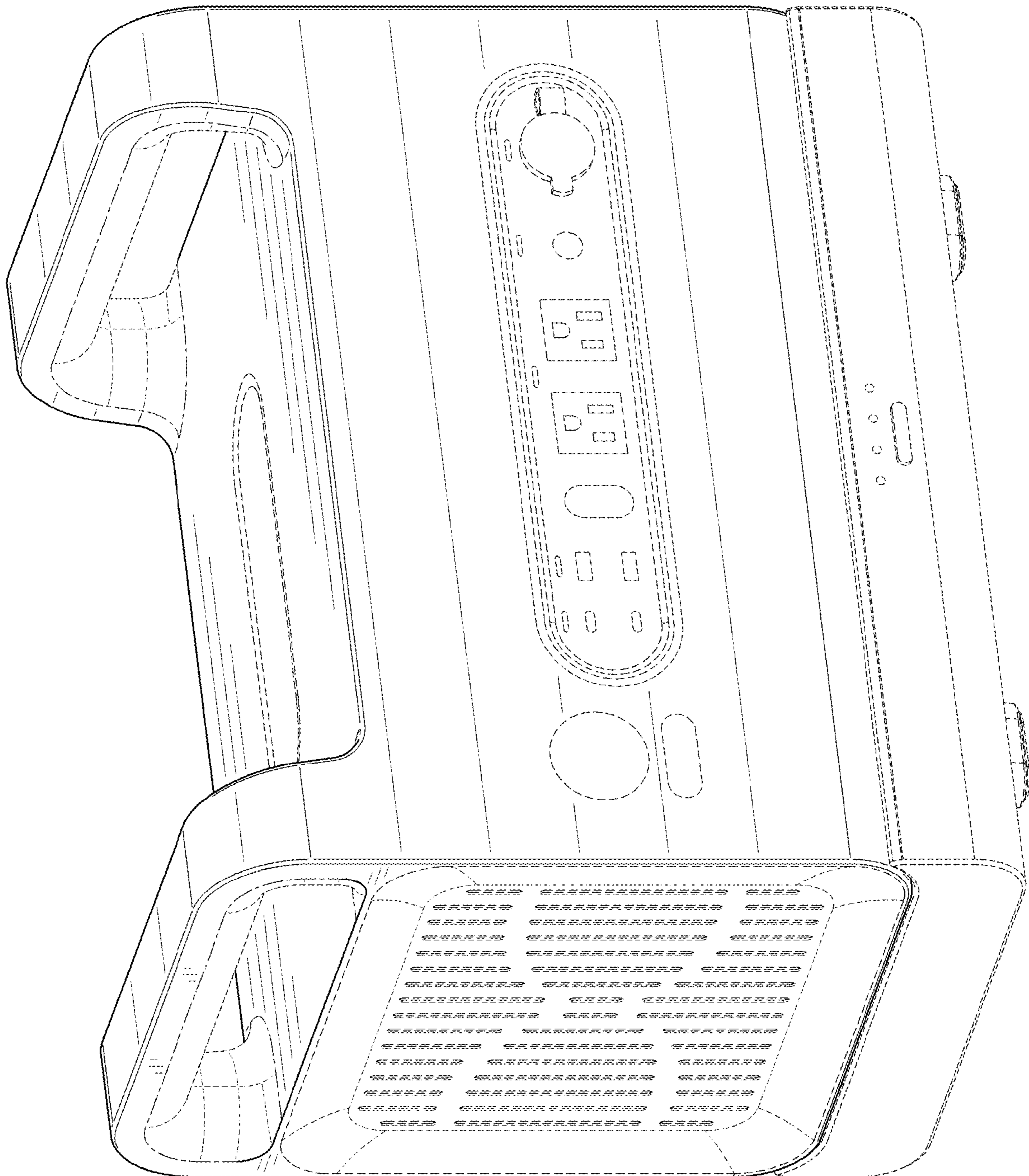


FIG. 18