



US00D886046S

(12) **United States Design Patent**
Lim et al.

(10) **Patent No.:** **US D886,046 S**
(45) **Date of Patent:** **** Jun. 2, 2020**

(54) **BATTERY**

(71) Applicant: **SYMBOL TECHNOLOGIES, LLC**,
Lincolnshire, IL (US)

(72) Inventors: **Sunghun Lim**, Bethpage, NY (US);
Edward M. Voli, East Setauket, NY
(US); **Chandra M. Nair**, Mount Sinai,
NY (US)

(73) Assignee: **Symbol Technologies, LLC**, Holtsville,
NY (US)

(**) Term: **15 Years**

(21) Appl. No.: **29/668,058**

(22) Filed: **Oct. 26, 2018**

Related U.S. Application Data

(63) Continuation of application No. 29/560,984, filed on
Apr. 12, 2016, now Pat. No. Des. 836,066.

(51) **LOC (12) Cl.** **13-02**

(52) **U.S. Cl.**
USPC **D13/103**

(58) **Field of Classification Search**

USPC D13/102-106, 110, 118-119, 184
CPC Y02E 60/12; Y02E 60/122; Y02E 60/124;
Y02E 60/50; H01M 2/02; H01M 2/022;
H01M 2/0202; H01M 2/0207; H01M
2/0212; H01M 2/1061; H01M 2/1022;
H01M 2/1055; H01M 2/1066; H01M
2/105; H01M 2/204; H01M 2/1016;
H01M 2200/00; H01M 10/4257; H01M
10/0436; H01M 10/48; H01M 10/42

See application file for complete search history.

(56) **References Cited**

U.S. PATENT DOCUMENTS

4,709,973 A 12/1987 Waters
D328,888 S 8/1992 Zhu

D335,277 S 5/1993 Hattori
D344,926 S * 3/1994 Alexandres D13/103
D358,126 S * 5/1995 Sakuma D13/103
D363,055 S 10/1995 Kobayashi et al.
D438,169 S * 2/2001 Minagawa D13/103
D448,340 S 9/2001 Hall
6,302,536 B1 10/2001 Sarma et al.
D466,141 S * 11/2002 Mullet D15/148
D476,618 S * 7/2003 Wong D13/103
D484,851 S 1/2004 Voli
D528,071 S 9/2006 Croley et al.
D530,663 S * 10/2006 Curello D13/103
D581,866 S 12/2008 Choi et al.
D647,050 S 10/2011 Tu
D665,346 S * 8/2012 Kumagai D13/108

(Continued)

OTHER PUBLICATIONS

Design U.S. Appl. No. 29/559,575, filed Mar. 30, 2016. (available
in U.S. Appl. No. 29/559,575 to which priority is claimed).

Primary Examiner — Nathaniel D. Buckner

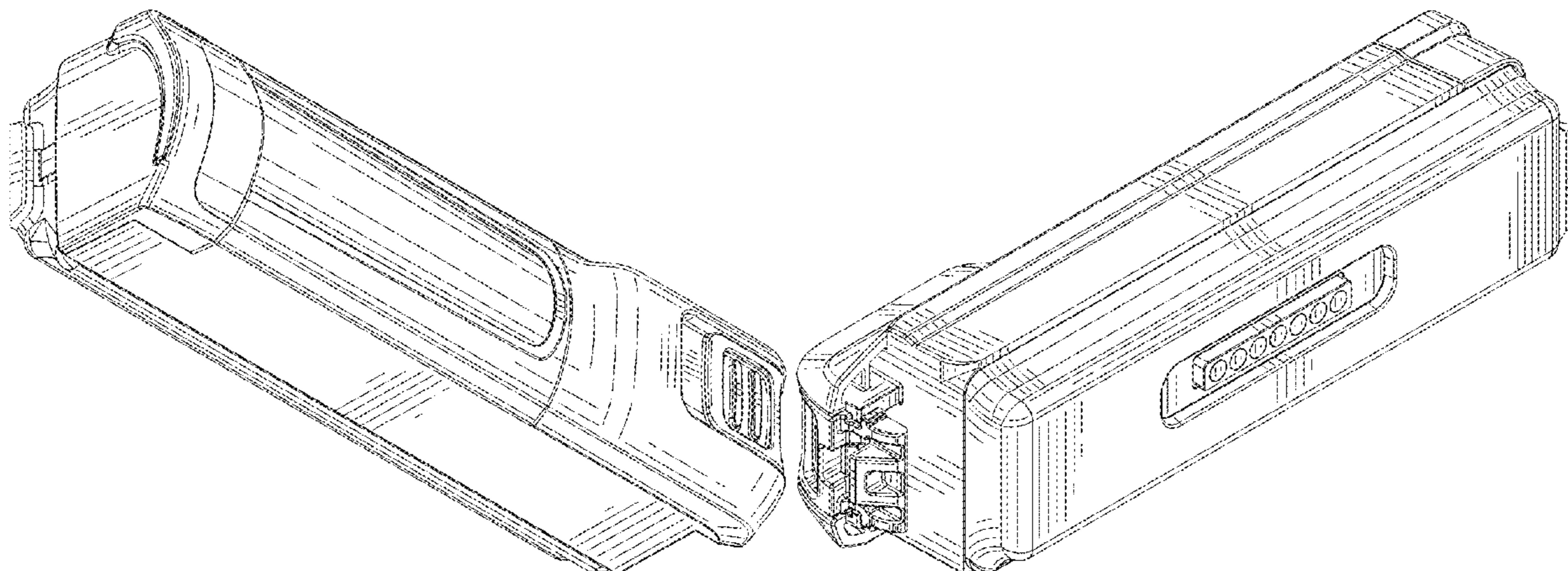
(57) **CLAIM**

We claim the ornamental design for a battery, as shown and
described.

DESCRIPTION

FIG. 1 is a bottom left front perspective view of a battery
showing our new design;
FIG. 2 is another top right rear perspective view thereof;
FIG. 3 is a top plan view thereof;
FIG. 4 is a bottom plan view thereof;
FIG. 5 is a rear elevation view thereof;
FIG. 6 is a front elevation view thereof;
FIG. 7 is a rear side view thereof; and,
FIG. 8 is a front side view thereof.
The broken lines depict portions of the battery that form no
part of the claimed design.

1 Claim, 5 Drawing Sheets



(56)

References Cited

U.S. PATENT DOCUMENTS

D682,195 S *	5/2013	Aglassinger	D13/103	D783,523 S	4/2017	Jang	
D701,509 S	3/2014	DeGiovine et al.		D784,261 S	4/2017	Rowe	
D716,729 S	11/2014	Kelly et al.		D790,546 S	6/2017	Zhou	
D725,590 S	3/2015	Clyne		D791,695 S	7/2017	Bergman	
D733,648 S	7/2015	Bianco		D794,554 S	8/2017	Chang	
D743,887 S	11/2015	Dasbach		D800,379 S	10/2017	Fang	
D743,888 S	11/2015	Dasbach		9,780,580 B1	10/2017	Drzymala et al.	
D744,110 S	11/2015	Kubo et al.		D818,949 S	5/2018	Dunkin	
D751,989 S	3/2016	Imai		D822,593 S	7/2018	Trongone	
9,367,723 B1	6/2016	Drzymala et al.		D823,245 S *	7/2018	Ng	D13/108
D766,175 S	9/2016	Tsiopanos et al.		D835,574 S *	12/2018	Trongone	D13/103
D768,068 S	10/2016	Chen		D836,066 S *	12/2018	Lim	D13/103
D772,455 S	11/2016	Chen		2009/0229842 A1 *	9/2009	Gray	H01M 2/1055 173/20
D773,389 S	12/2016	Miller		2011/0039143 A1	2/2011	Bacon	
D776,059 S	1/2017	Kim		2013/0196203 A1	8/2013	Wackwitz et al.	
D779,439 S	2/2017	Suzuki		2015/0180317 A1	6/2015	Chitsaz et al.	
D780,111 S	2/2017	Clyne		2016/0268731 A1	9/2016	Ziegenfuss et al.	
				2017/0030109 A1	2/2017	Duncan et al.	
				2017/0163063 A1 *	6/2017	Cai	H02J 7/0045

* cited by examiner

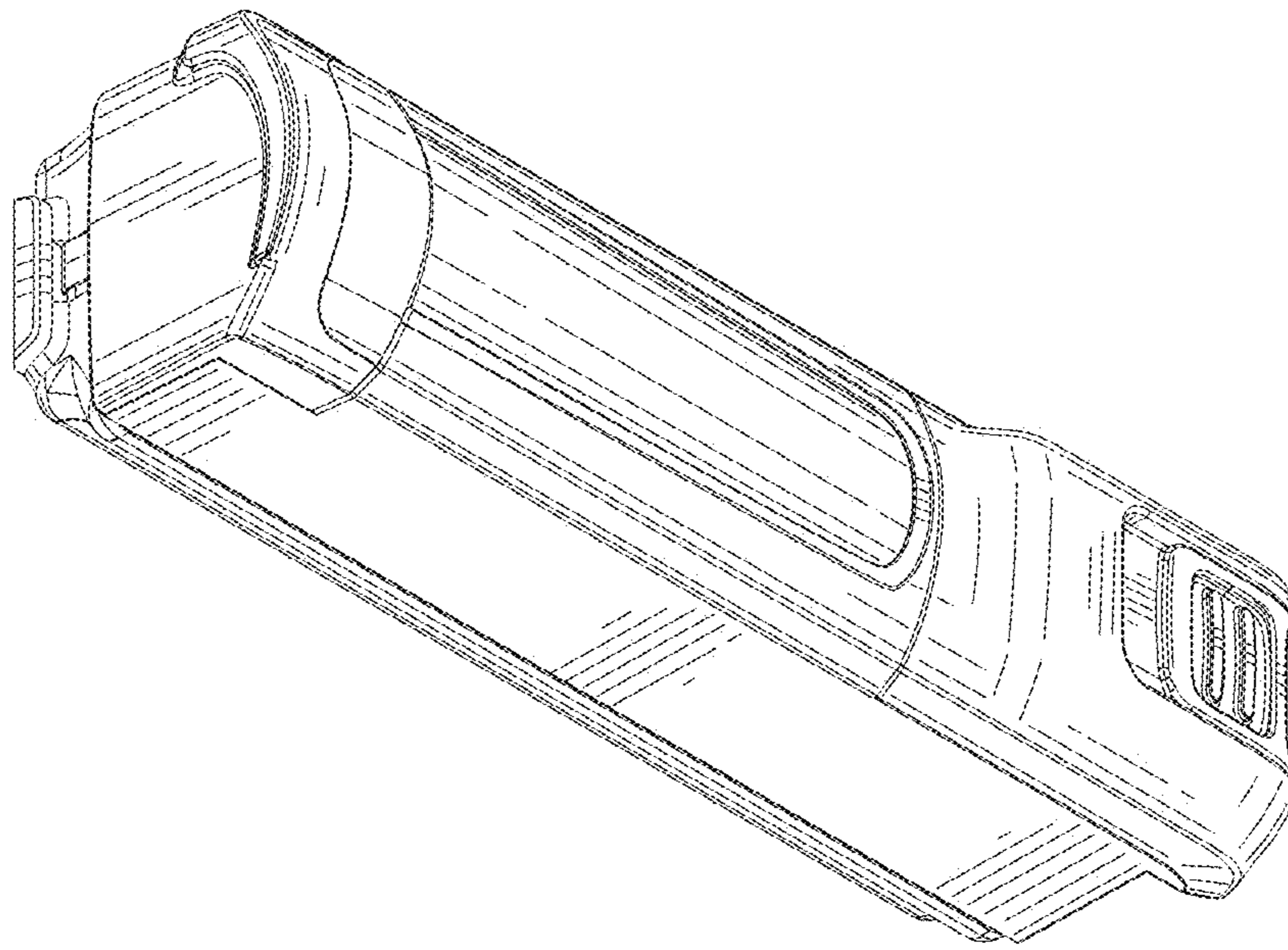


FIG. 1

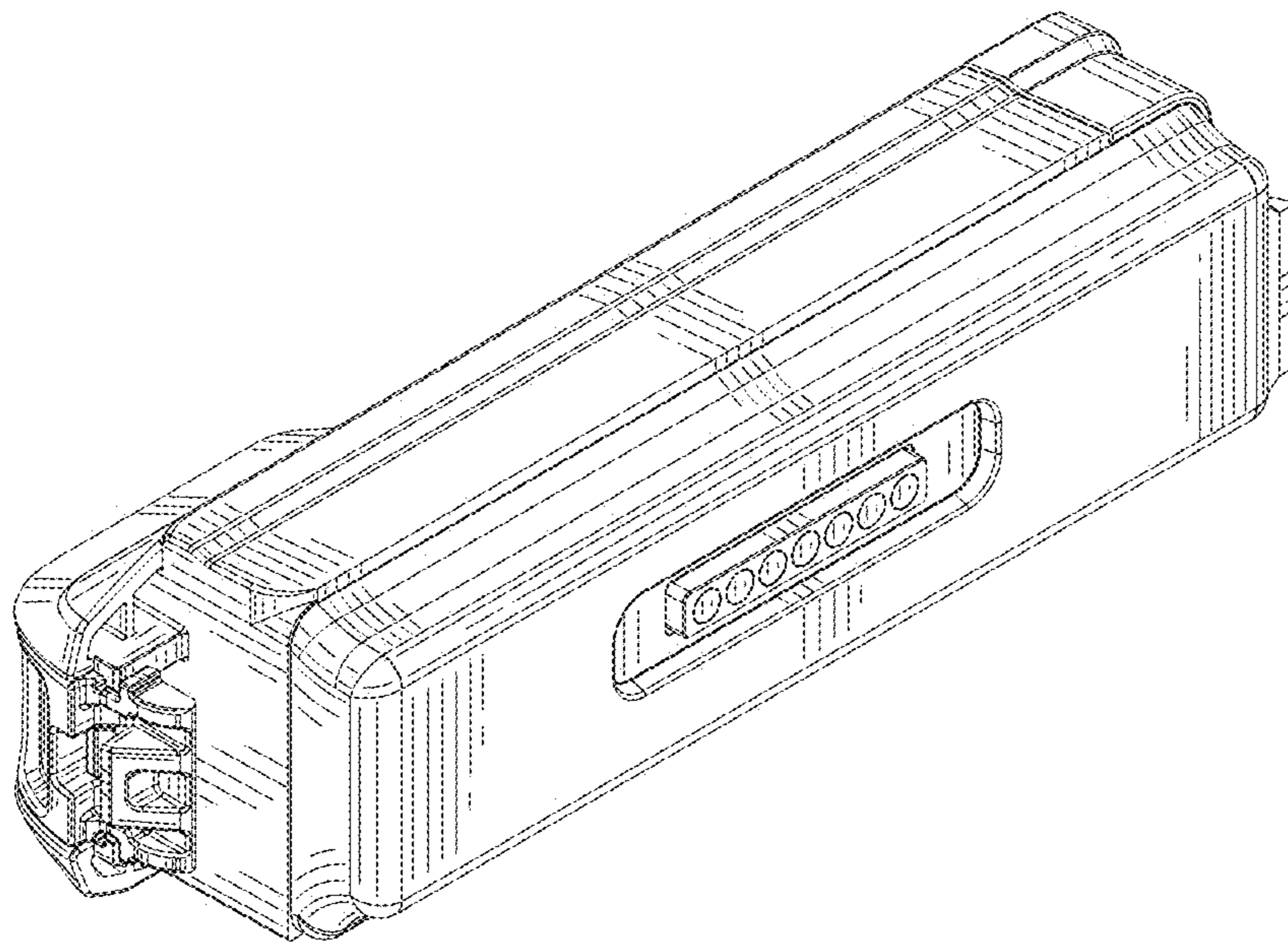


FIG. 2

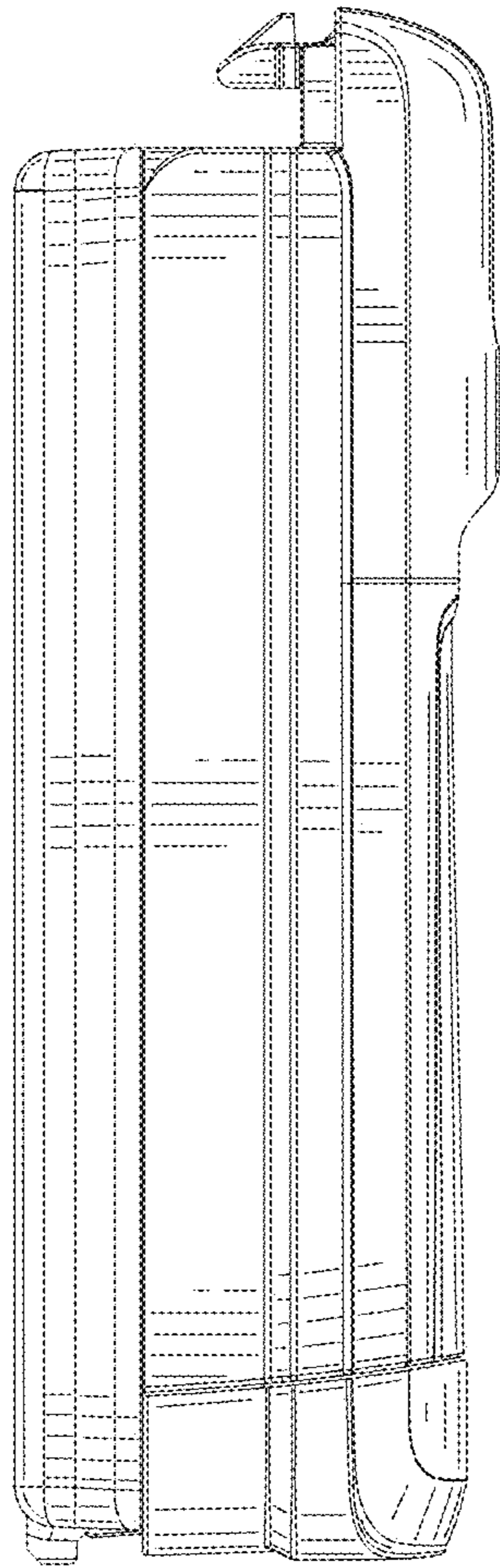


FIG. 3

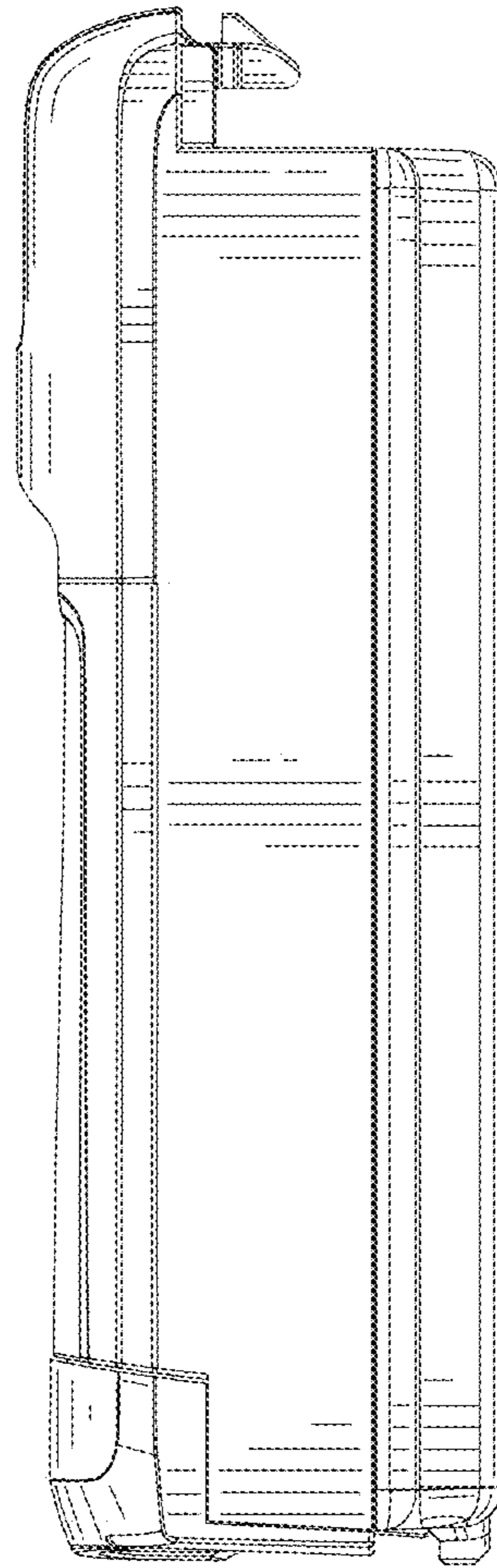


FIG. 4

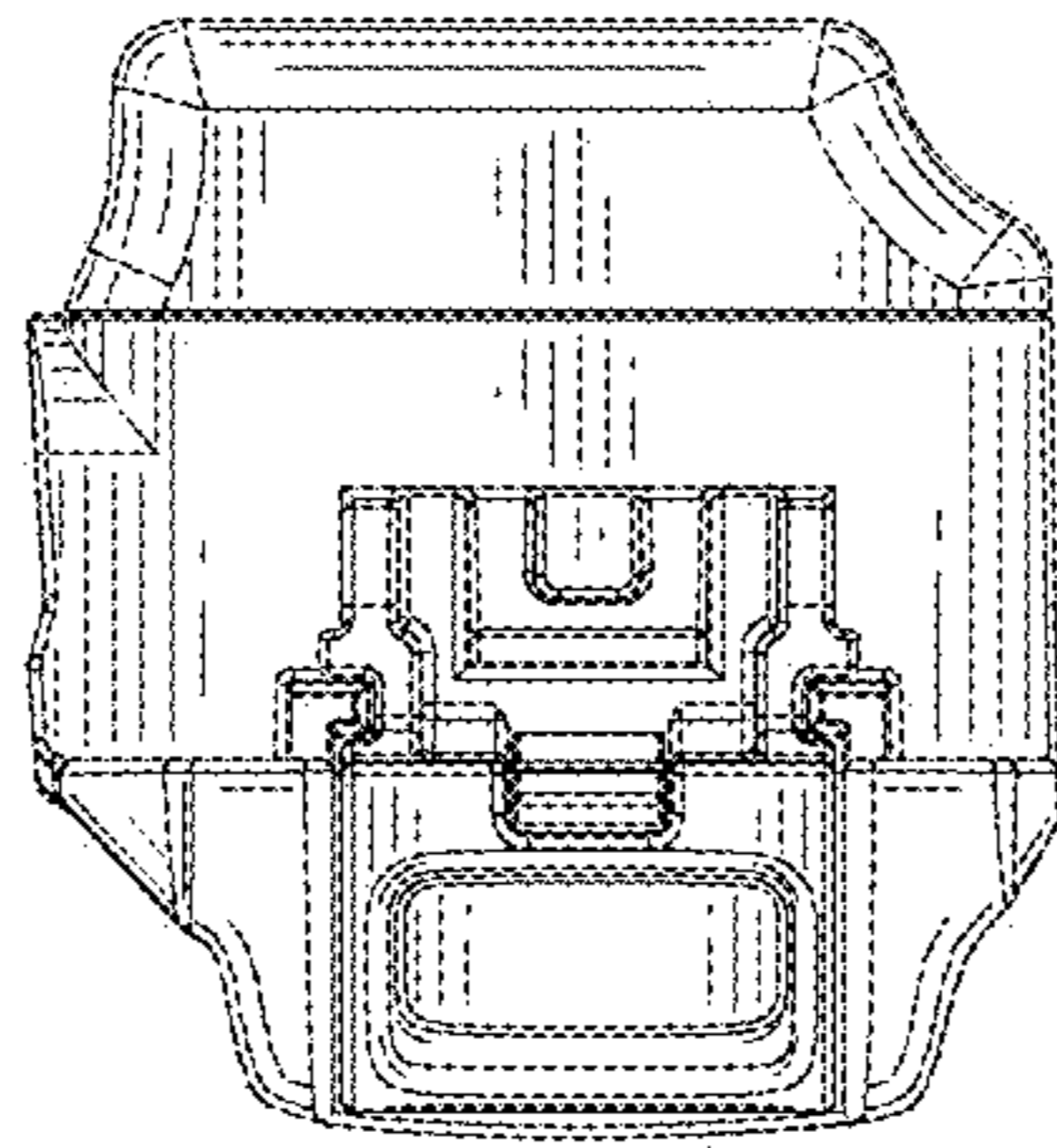


FIG. 5

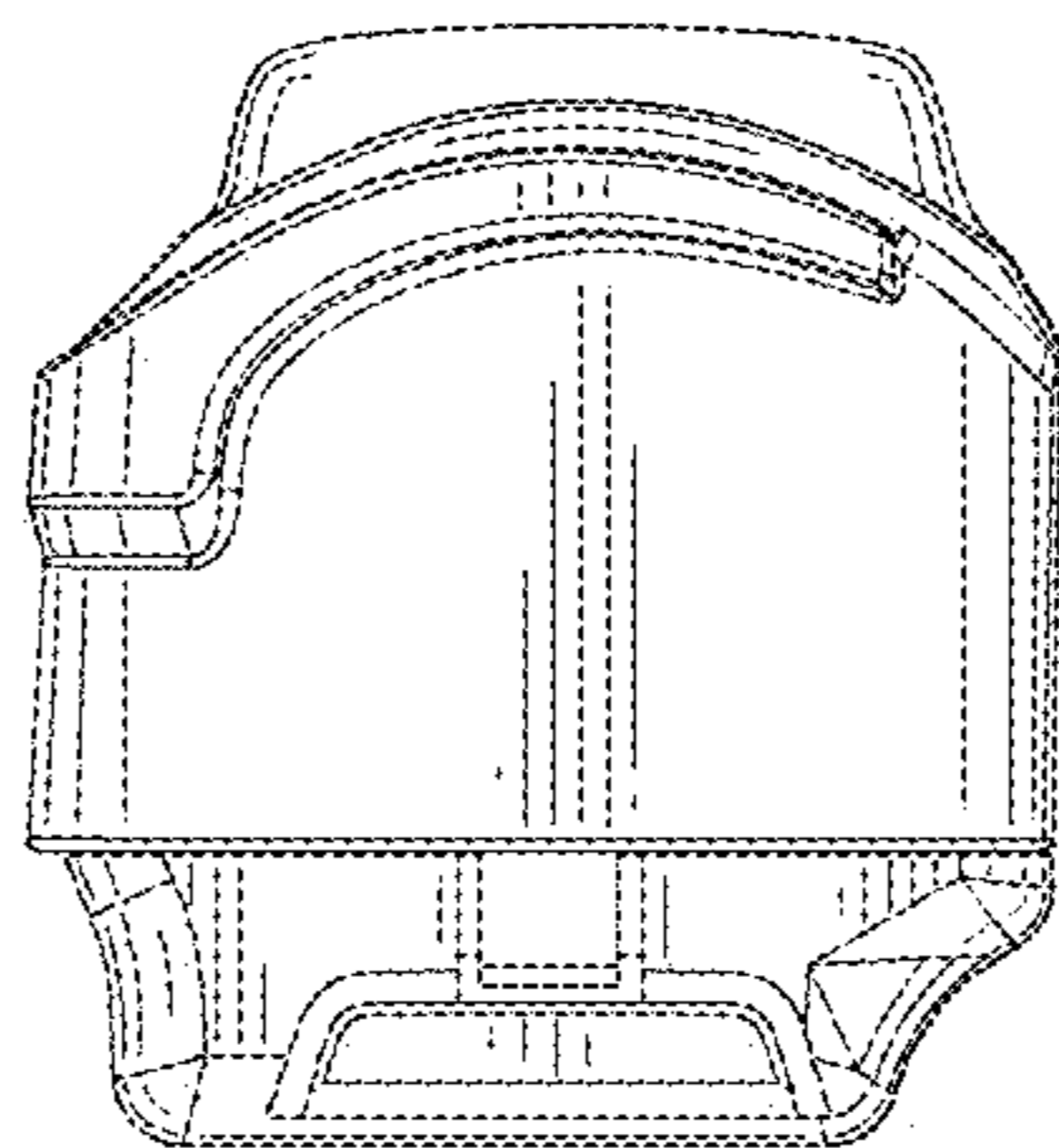


FIG. 6

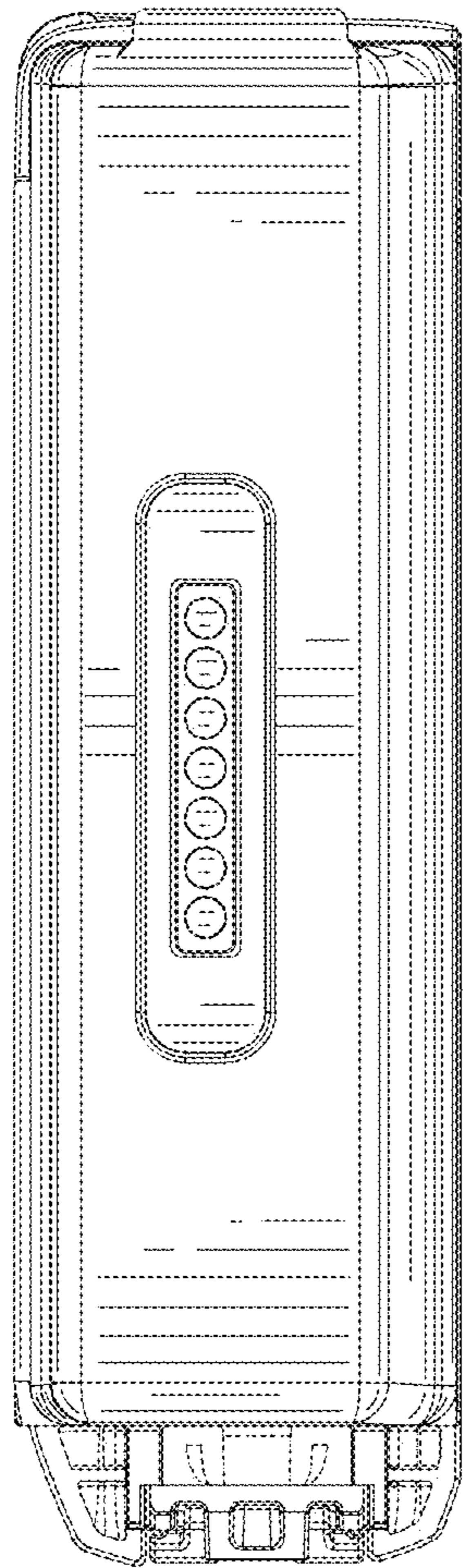


FIG. 7

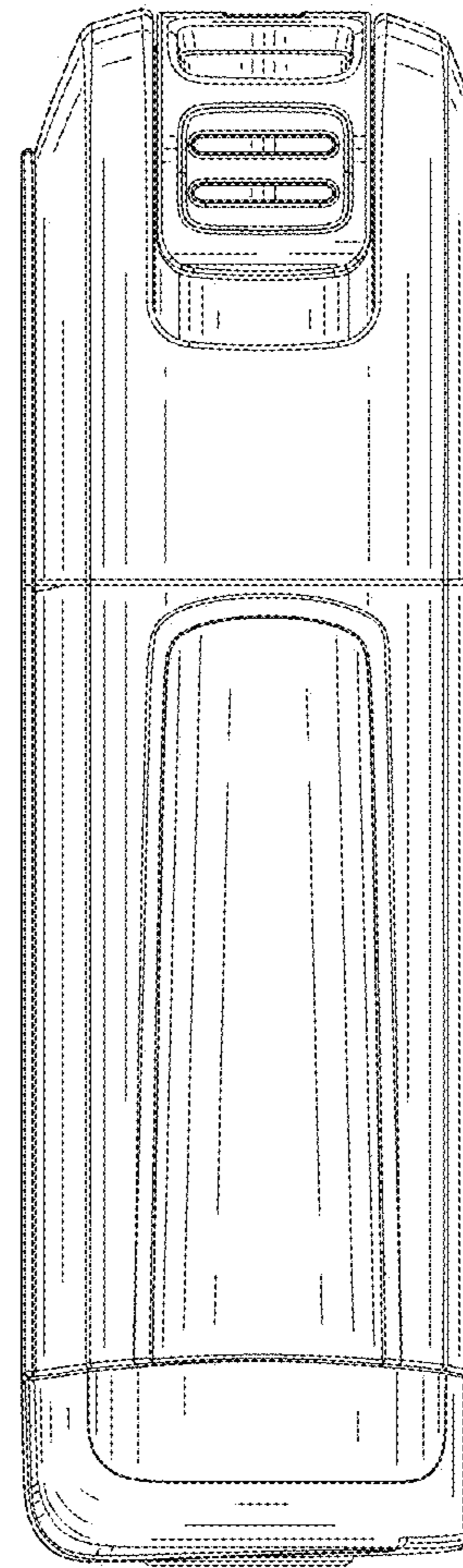


FIG. 8