



US00D886045S

(12) **United States Design Patent**
Deng

(10) **Patent No.:** **US D886,045 S**

(45) **Date of Patent:** **** Jun. 2, 2020**

(54) **BATTERY BOX**

(71) Applicant: **Haibo Deng**, Guangdong (CN)

(72) Inventor: **Haibo Deng**, Guangdong (CN)

(**) Term: **15 Years**

(21) Appl. No.: **29/662,105**

(22) Filed: **Aug. 31, 2018**

(51) **LOC (12) Cl.** **13-02**

(52) **U.S. Cl.**

USPC **D13/103**

(58) **Field of Classification Search**

USPC D13/102–106, 110, 118–119, 184

CPC Y02E 60/12; Y02E 60/122; Y02E 60/124;

Y02E 60/50; H01M 2/02; H01M 2/022;

H01M 2/0202; H01M 2/0207; H01M

2/0212; H01M 2/1061; H01M 2/1022;

H01M 2/1055; H01M 2/1066; H01M

2/105; H01M 2/204; H01M 2/1016;

H01M 2200/00; H01M 10/4257; H01M

10/0436; H01M 10/48; H01M 10/42

See application file for complete search history.

(56) **References Cited**

U.S. PATENT DOCUMENTS

D329,634 S	9/1992	Mizusugi et al.	
D449,577 S	10/2001	Nishio et al.	
D452,487 S *	12/2001	Kaplan	D13/184
D463,412 S *	9/2002	Bloemen	D14/240
D759,590 S *	6/2016	Wang	D13/119

D776,253 S *	1/2017	Li	D24/108
D777,104 S *	1/2017	Liu	D13/119
D785,567 S	5/2017	Abena et al.	
D808,653 S *	1/2018	Rayeski	D3/273
D821,968 S *	7/2018	Zhao	D13/103
D823,788 S *	7/2018	Wei	D13/103
D825,464 S *	8/2018	Xie	D13/119
D825,465 S *	8/2018	Deng	D13/119
D853,320 S *	7/2019	Guo	D13/103
D861,605 S *	10/2019	Yang	D13/119
D861,606 S *	10/2019	Yang	D13/119

* cited by examiner

Primary Examiner — Nathaniel D. Buckner

(74) *Attorney, Agent, or Firm* — KA Filing LLC; Wayne V. Harper

(57) **CLAIM**

The ornamental design for a battery box, as shown and described.

DESCRIPTION

FIG. 1 is a first perspective view of a battery box showing my new design;

FIG. 2 is a second perspective view thereof;

FIG. 3 is a front elevational view thereof;

FIG. 4 is a rear elevational view thereof;

FIG. 5 is a left side view thereof;

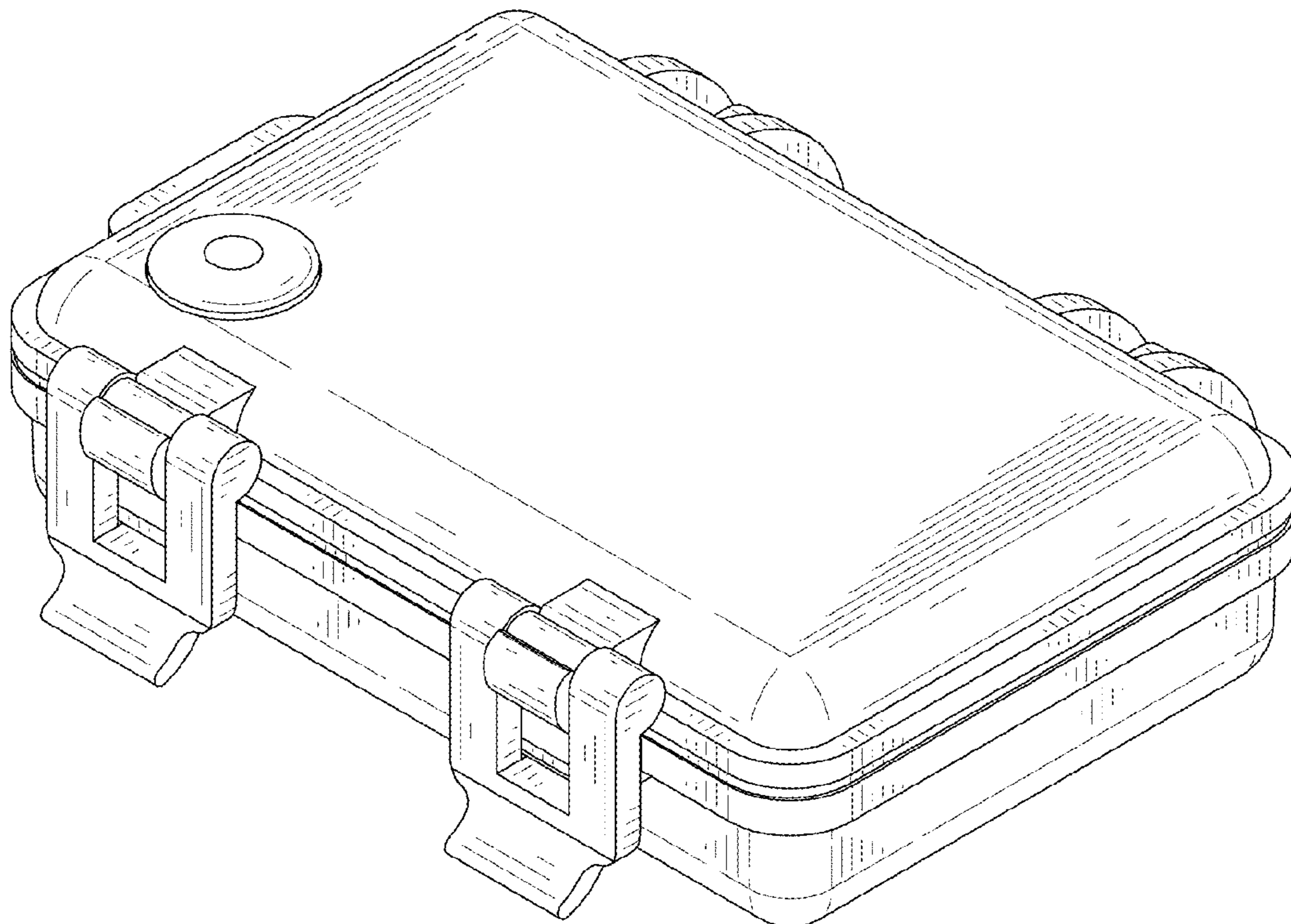
FIG. 6 is a right side view thereof;

FIG. 7 is a top plan view thereof; and,

FIG. 8 is a bottom plan view thereof.

The broken lines in the figures depict portions of the article which form no part of the claimed design.

1 Claim, 8 Drawing Sheets



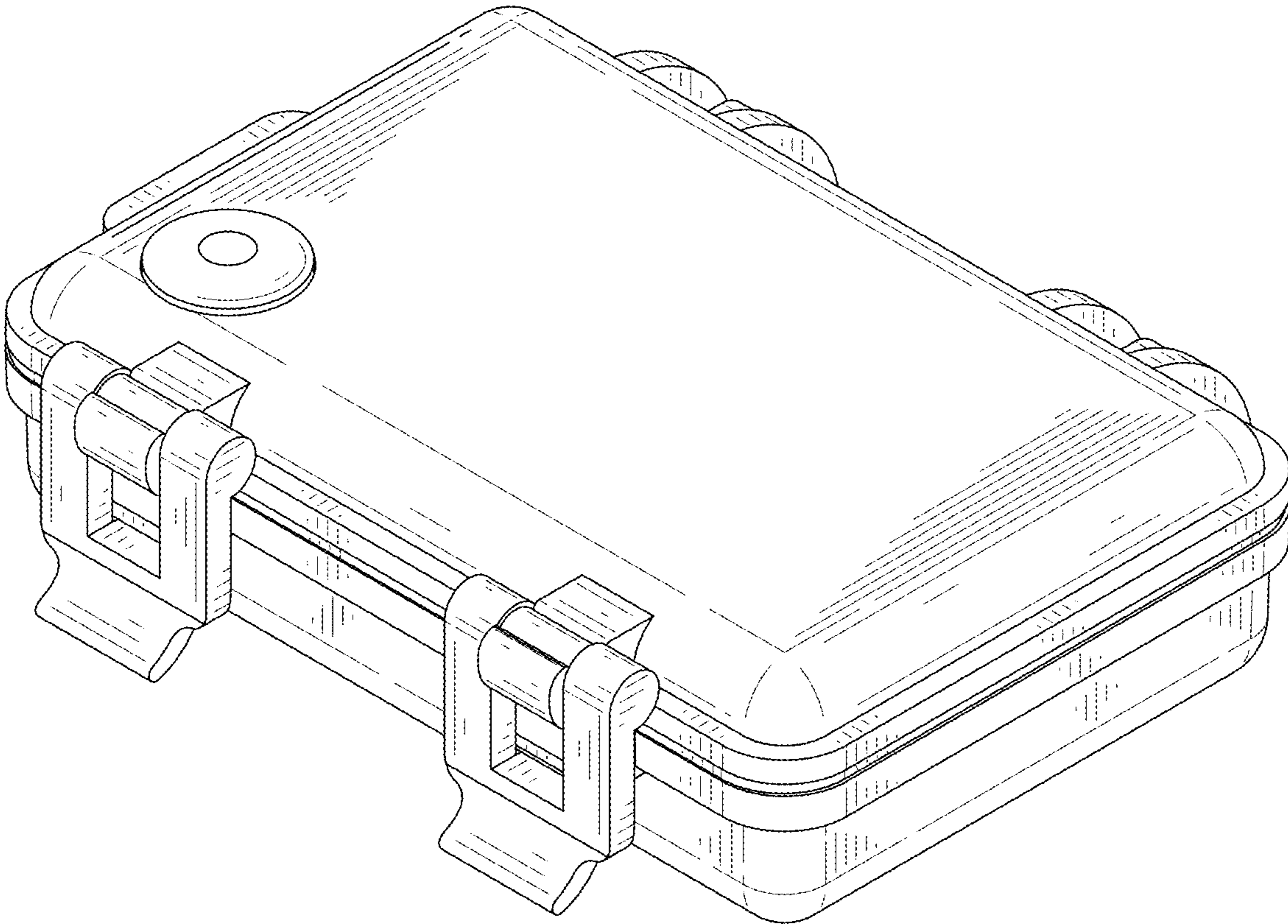


FIG. 1

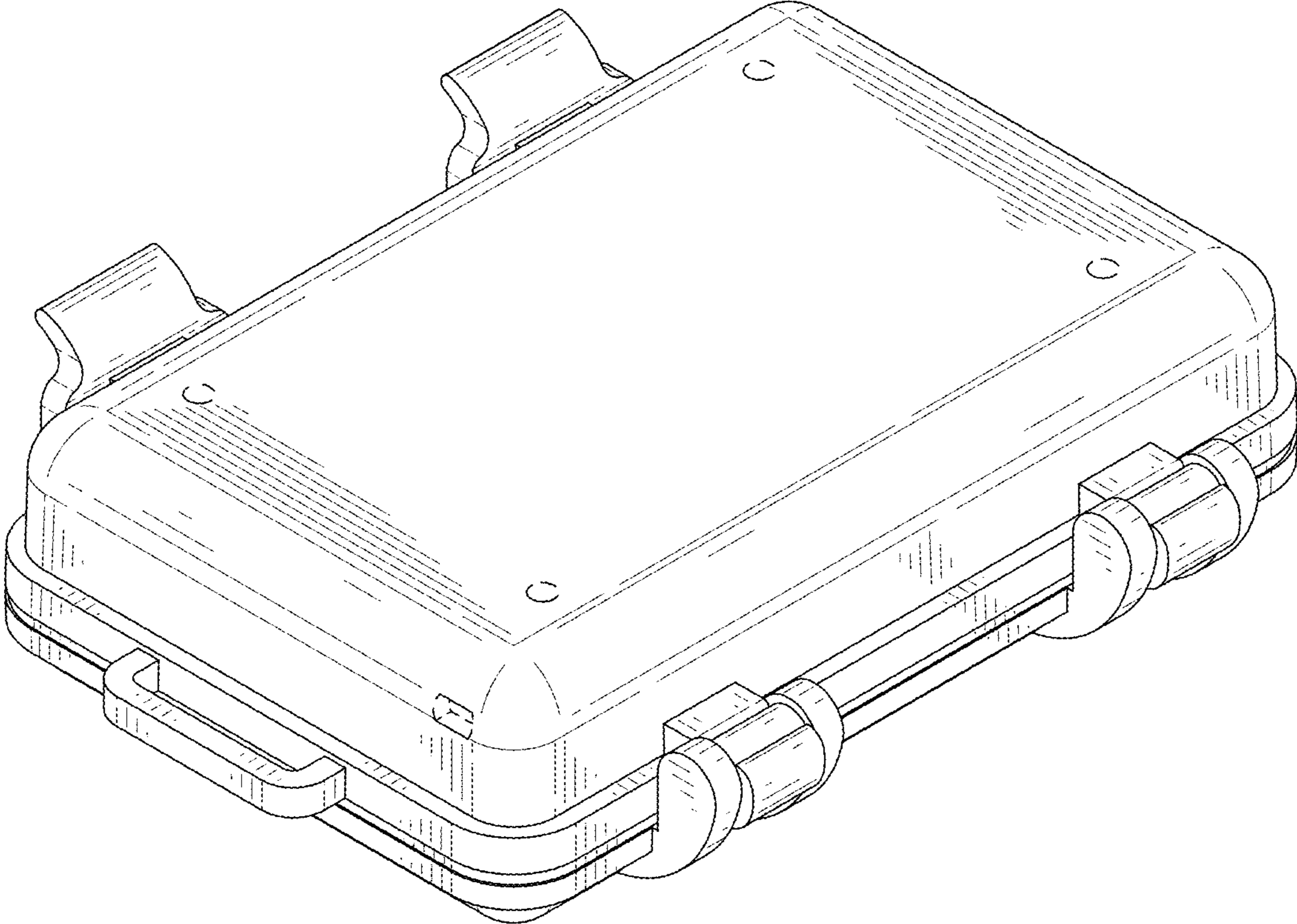


FIG. 2

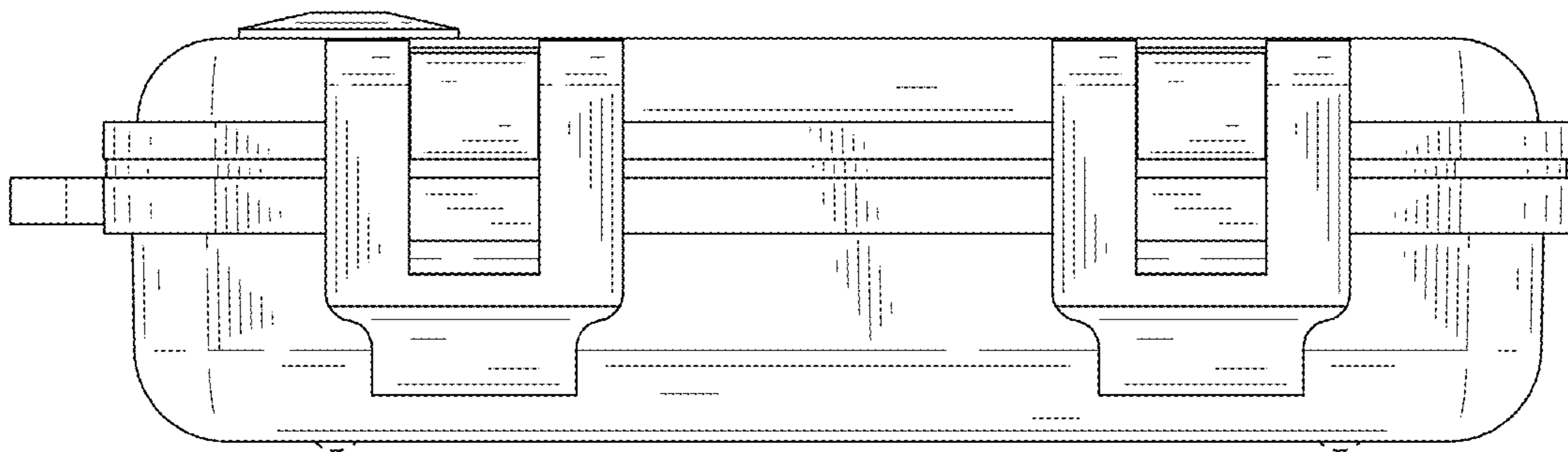


FIG. 3

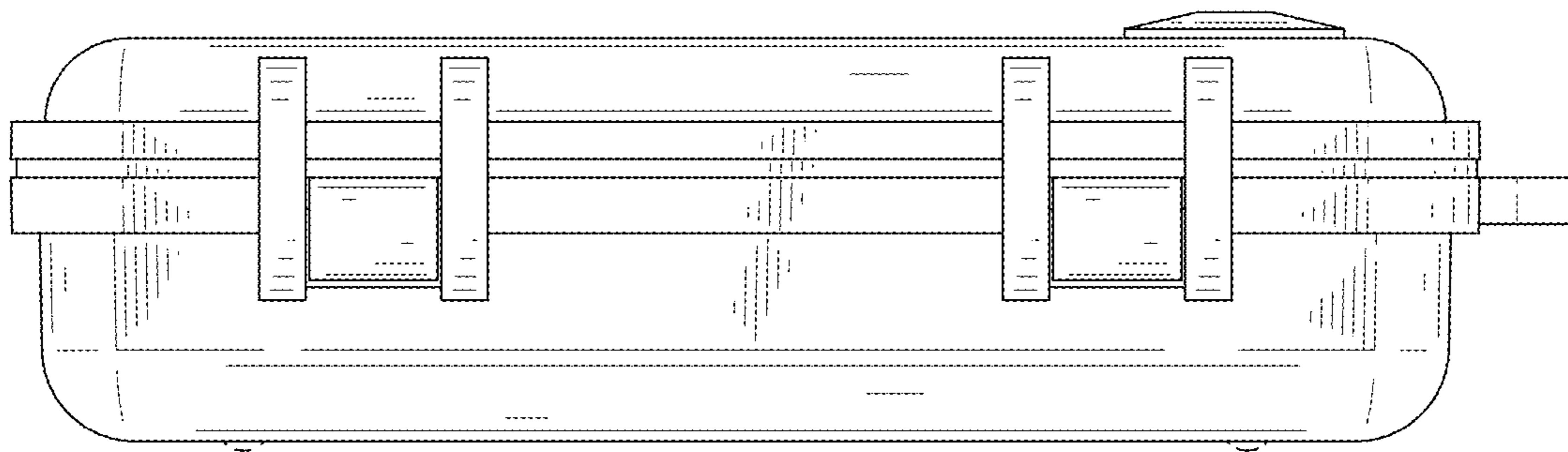


FIG. 4

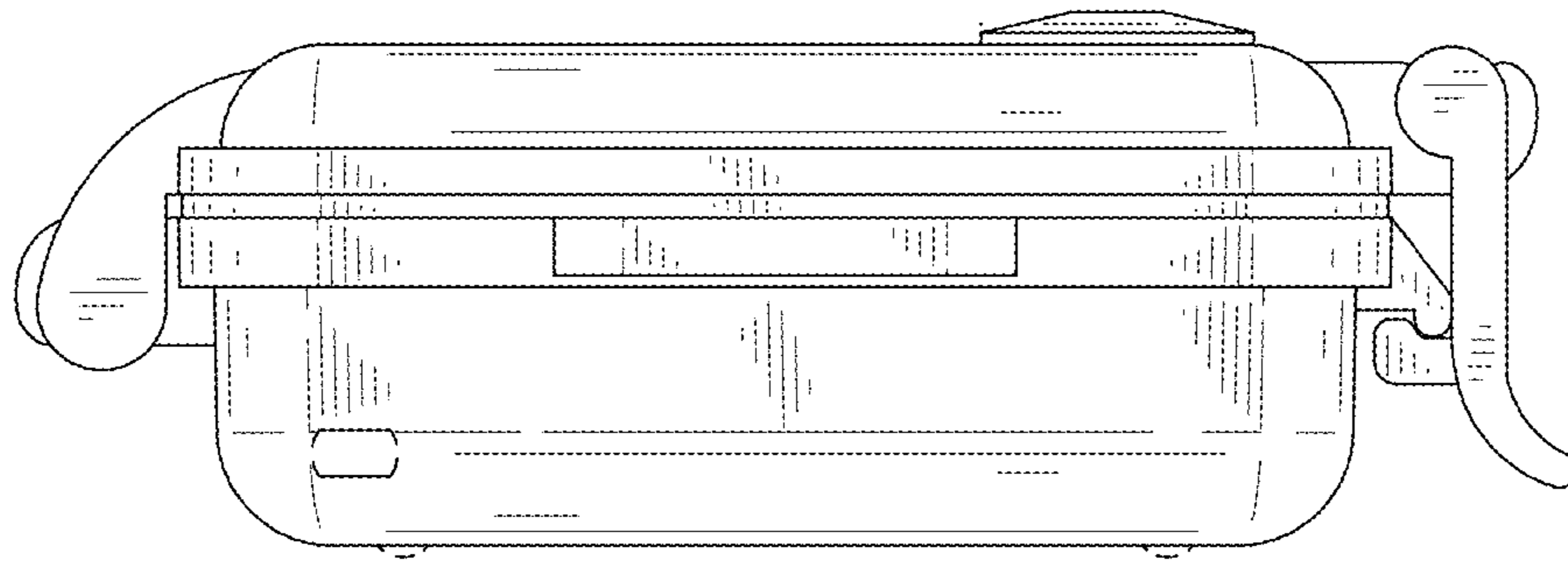


FIG. 5

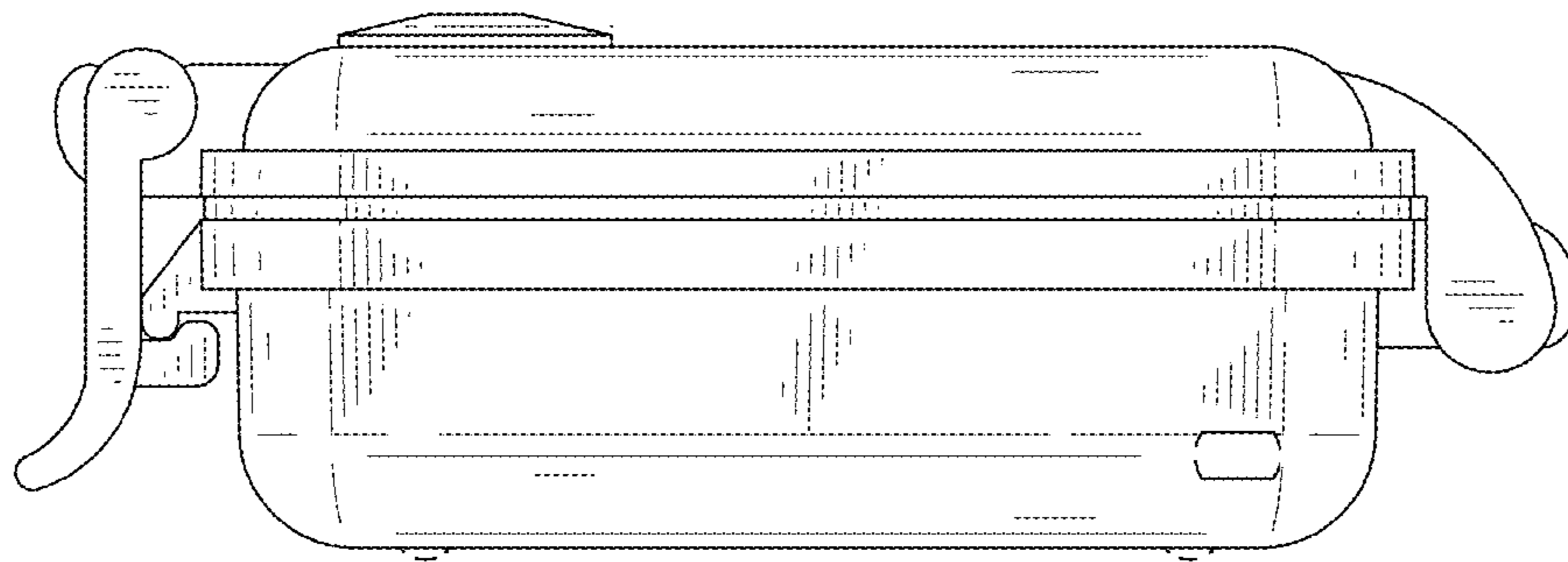


FIG. 6

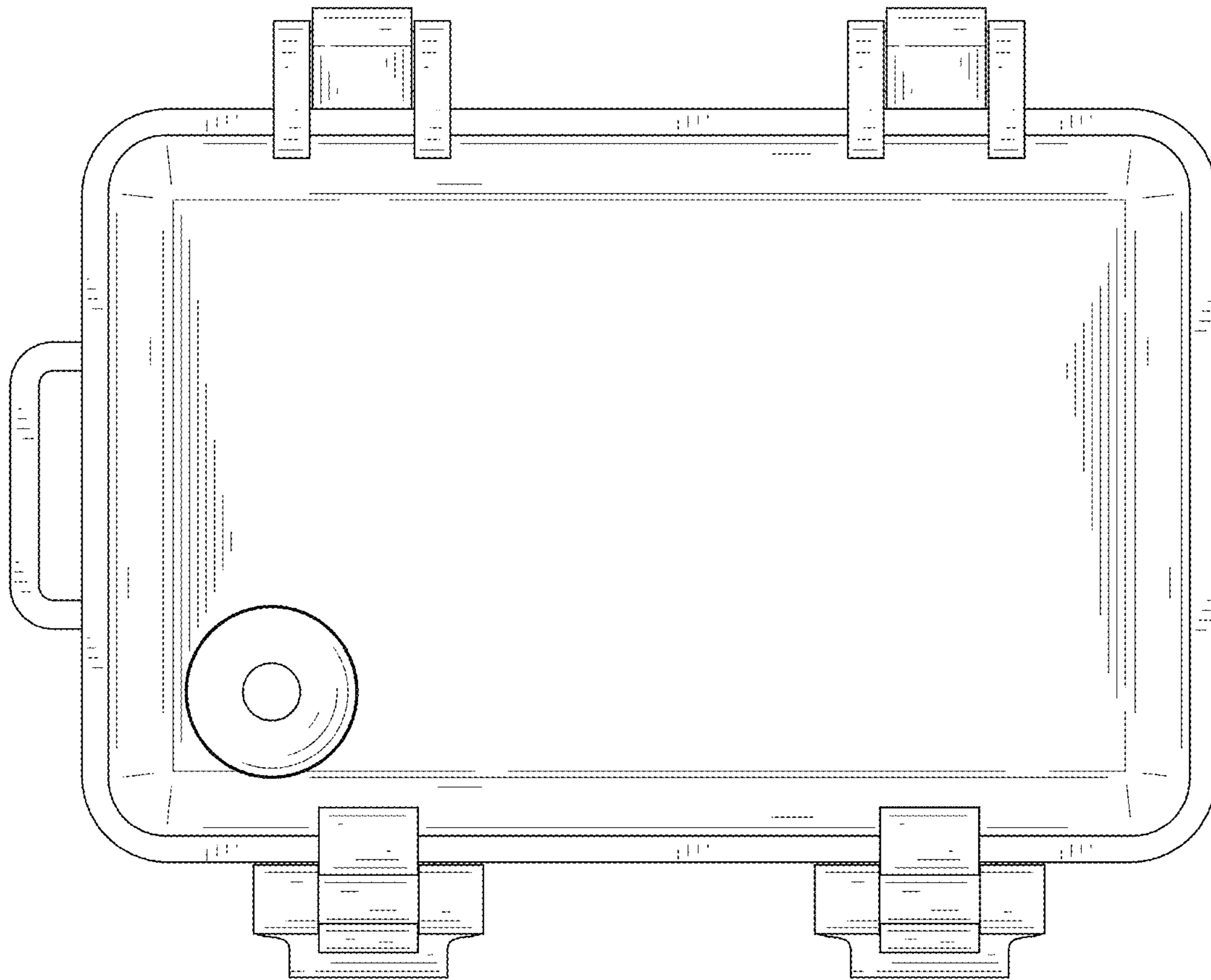


FIG. 7

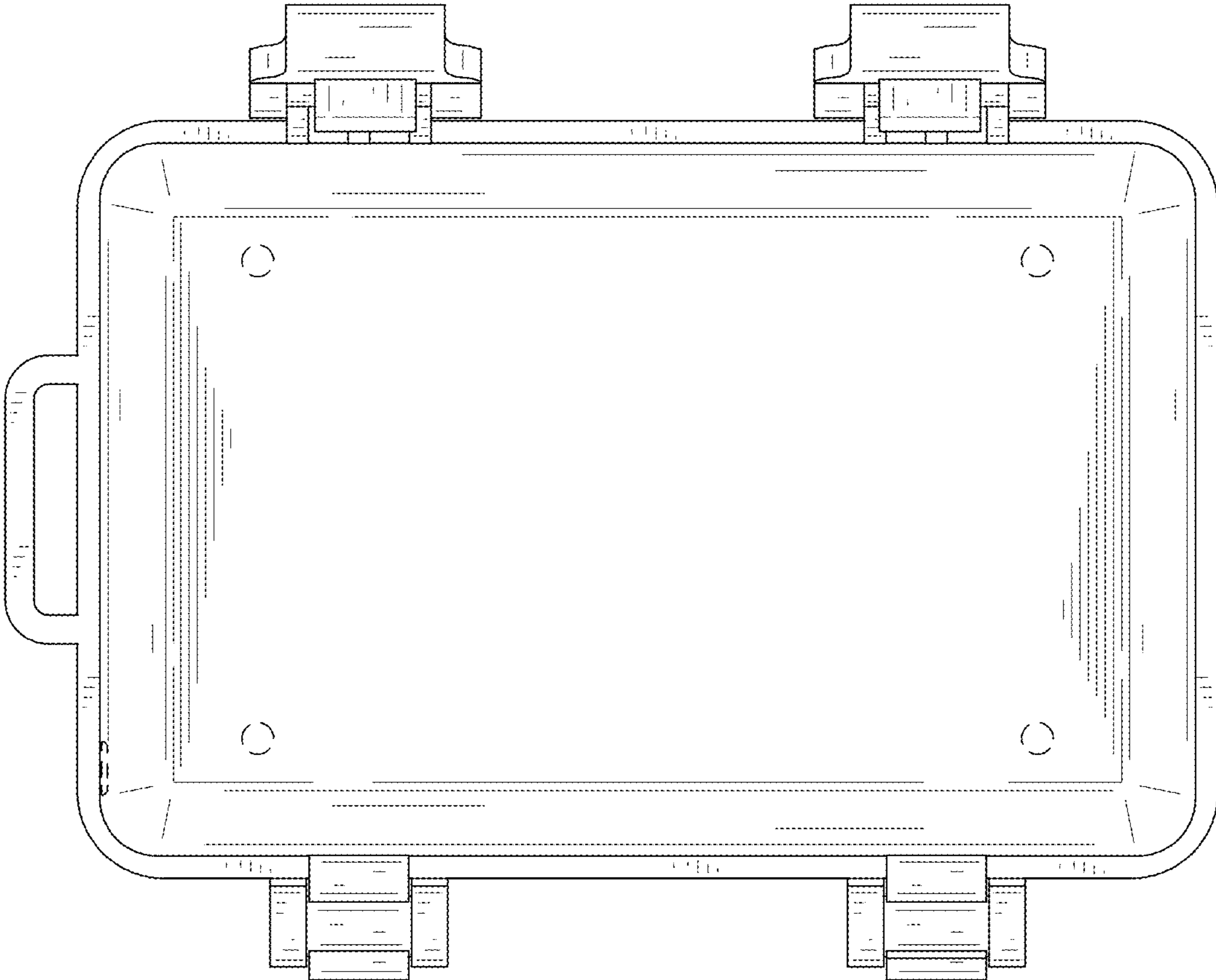


FIG. 8