



US00D886044S

(12) **United States Design Patent**
Gerhard et al.

(10) **Patent No.:** **US D886,044 S**
(45) **Date of Patent:** **** Jun. 2, 2020**

- (54) **ELECTRONIC INPUT DEVICE**
- (71) Applicant: **PlayFusion Limited**, Cambridge (GB)
- (72) Inventors: **Mark Michael Gerhard**, Cambridge (GB); **Riaan Henning Hodgson**, Cambridge (GB); **David Gomberg**, Cambridge (GB)
- (73) Assignee: **PLAYFUSION LIMITED**, Cambridge (GB)
- (**) Term: **15 Years**
- (21) Appl. No.: **29/602,642**
- (22) Filed: **May 2, 2017**
- (51) **LOC (12) Cl.** **13-02**
- (52) **U.S. Cl.**
USPC **D13/103**; D21/333; D21/385
- (58) **Field of Classification Search**
USPC D13/103–110, 118, 119, 184, 199;
D14/251, 253, 432, 434; D21/333, 385
CPC Y02E 60/10; Y02E 60/12; Y02E 60/122;
Y02E 60/124; Y02E 60/50; H01M 2/02;
H01M 2/022; H01M 2/0202; H01M
2/0207; H01M 2/0212; H01M 2/1061;
H01M 2/1022; H01M 2/1055; H01M
2/1066; H01M 2/105; H01M 2/20; H01M
2/202; H01M 2/204; H01M 2/206; H01M
10/44; H01M 10/46; H01M 10/465;
H01M 10/482; H01M 2200/30; H01M
2250/30; H01M 2250/40; H02J 7/00;
H02J 7/0003; H02J 7/0011; H02J 7/0013;
H02J 7/0054; H02J 7/0055; H02J 7/0057;
H02J 2007/0062
See application file for complete search history.

D680,594 S *	4/2013	Mercier	D21/330
D730,284 S *	5/2015	Dorn	D13/108
D760,650 S *	7/2016	Juds	D13/110
D868,163 S *	11/2019	Mistry	D21/333

OTHER PUBLICATIONS

Amazon.com: Lightseekers FusionCore. Customer question and answer date of Dec. 27, 2017. Retrieved from the internet at <<https://www.amazon.com/Lightseekers-L71000-FusionCore/dp/B01N18IBD5>>, Dec. 13, 2019. 8 pages. (Year: 2017).*

FCCID.IO: L71000 Fusion Core External Photos Tomy. Date Available of Sep. 6, 2017. Retrieved from the internet at <<https://fccid.io/BMW-L71000/External-Photos/External-Photos-3301398>>, Dec. 13, 2019. 9 pages. (Year: 2017).*

FCCID.IO: L71000 Fusion Core User Manual. Date Available of Sep. 6, 2017. Retrieved from the internet at <<https://fccid.io/BMW-L71000/Users-Manual/Users-Manual-3311562>>, Dec. 13, 2019. 10 pages. (Year: 2017).*

* cited by examiner

Primary Examiner — Rosemary K Tarcza
Assistant Examiner — Christy M Nemeth
 (74) *Attorney, Agent, or Firm* — Hauptman Ham, LLP

(57) **CLAIM**

The ornamental design for a electronic input device, as shown and described.

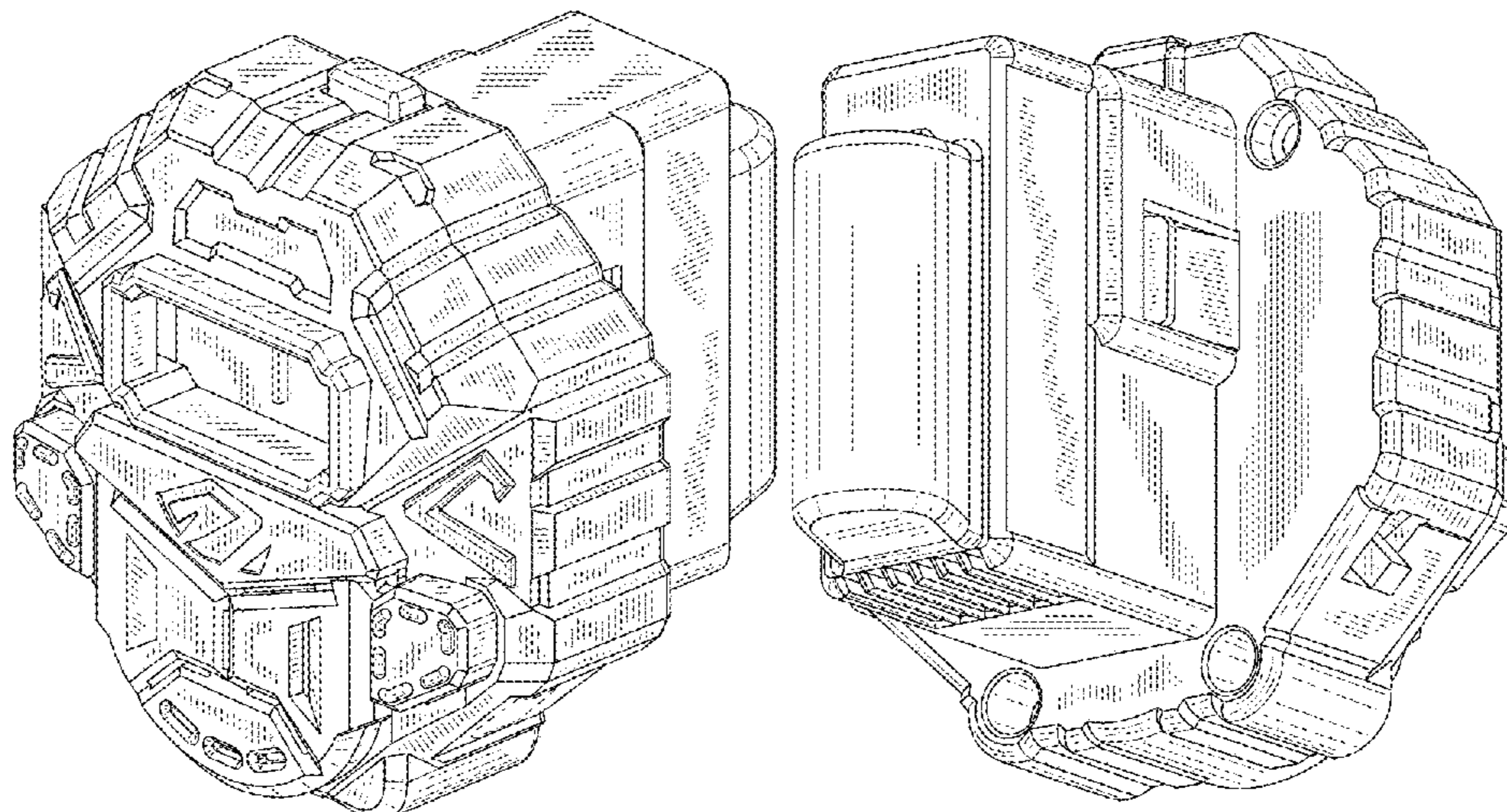
DESCRIPTION

FIG. 1 is a top-right perspective view of an electronic input device of our new design;
 FIG. 2 is a bottom-left perspective view thereof;
 FIG. 3 is a top view thereof;
 FIG. 4 is a bottom view thereof;
 FIG. 5 is a left side view thereof;
 FIG. 6 is a right side view thereof;
 FIG. 7 is a rear view thereof; and,
 FIG. 8 is a front view thereof.
 The broken lines in the drawings show environmental structure and form no part of the claimed design.

1 Claim, 8 Drawing Sheets

(56) **References Cited**
 U.S. PATENT DOCUMENTS

D458,310 S *	6/2002	Lynch	D21/327
D541,876 S *	5/2007	Avery	D21/332
D633,442 S *	3/2011	Charleux	D13/110



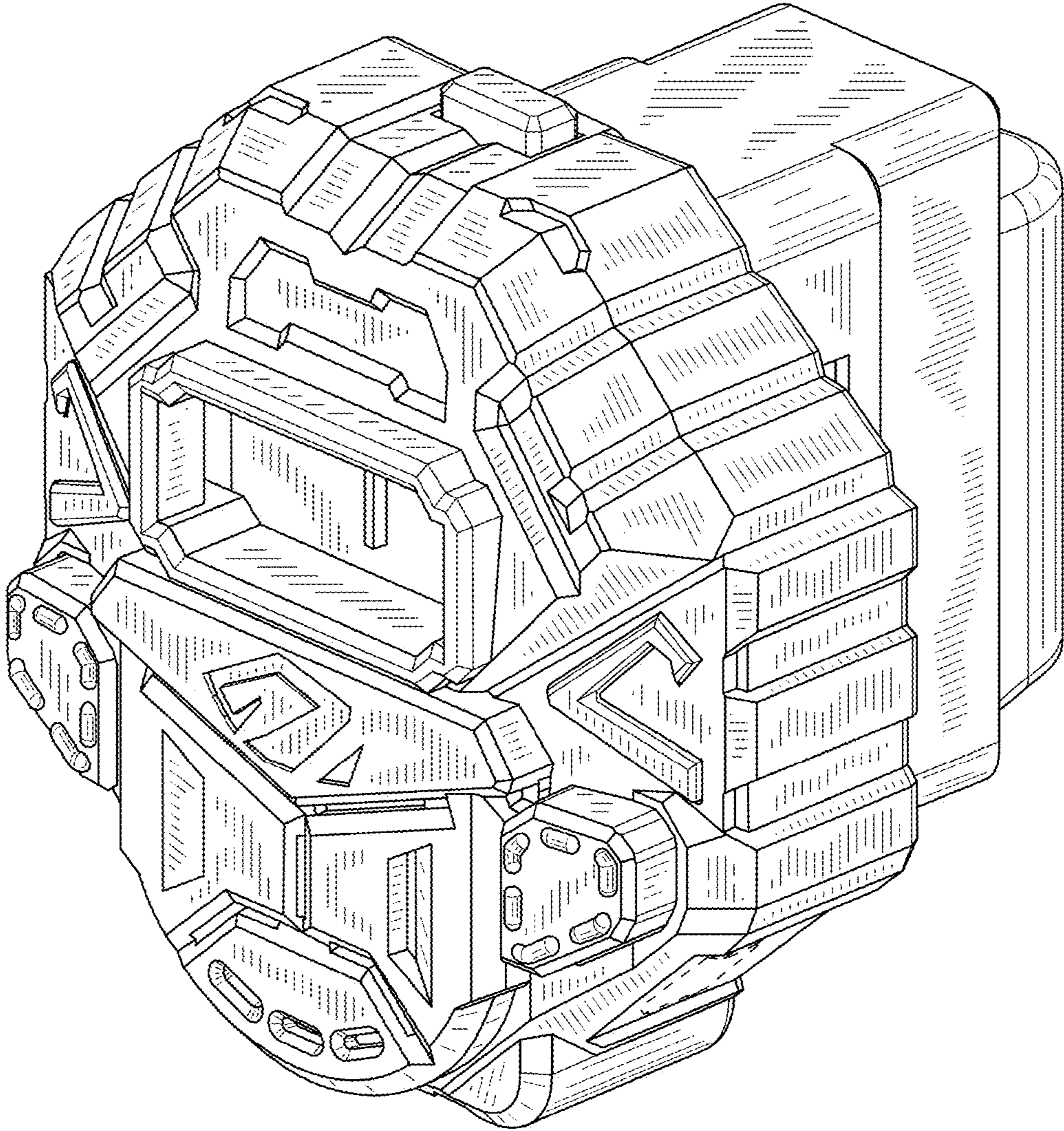


FIG. 1

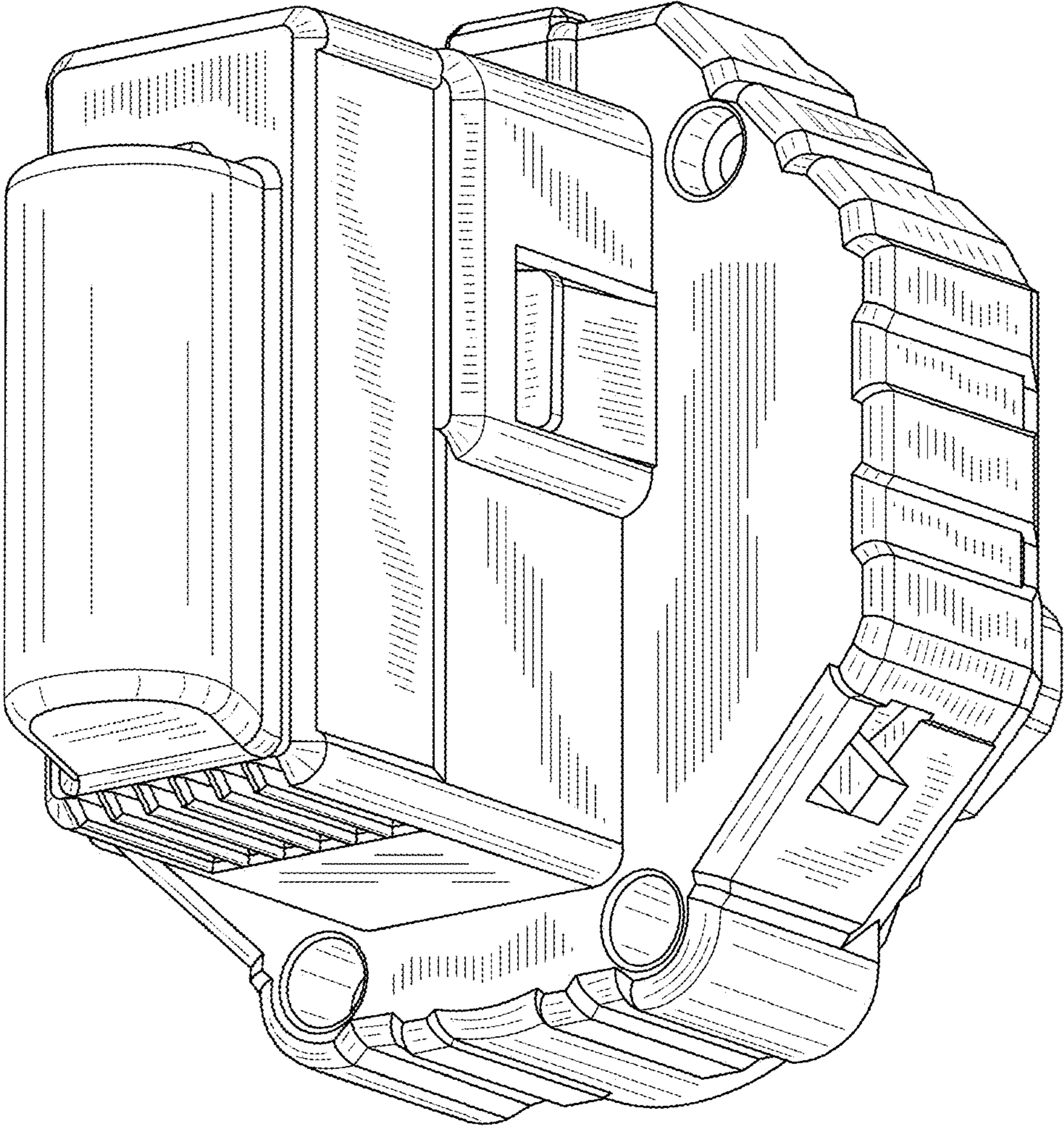


FIG. 2

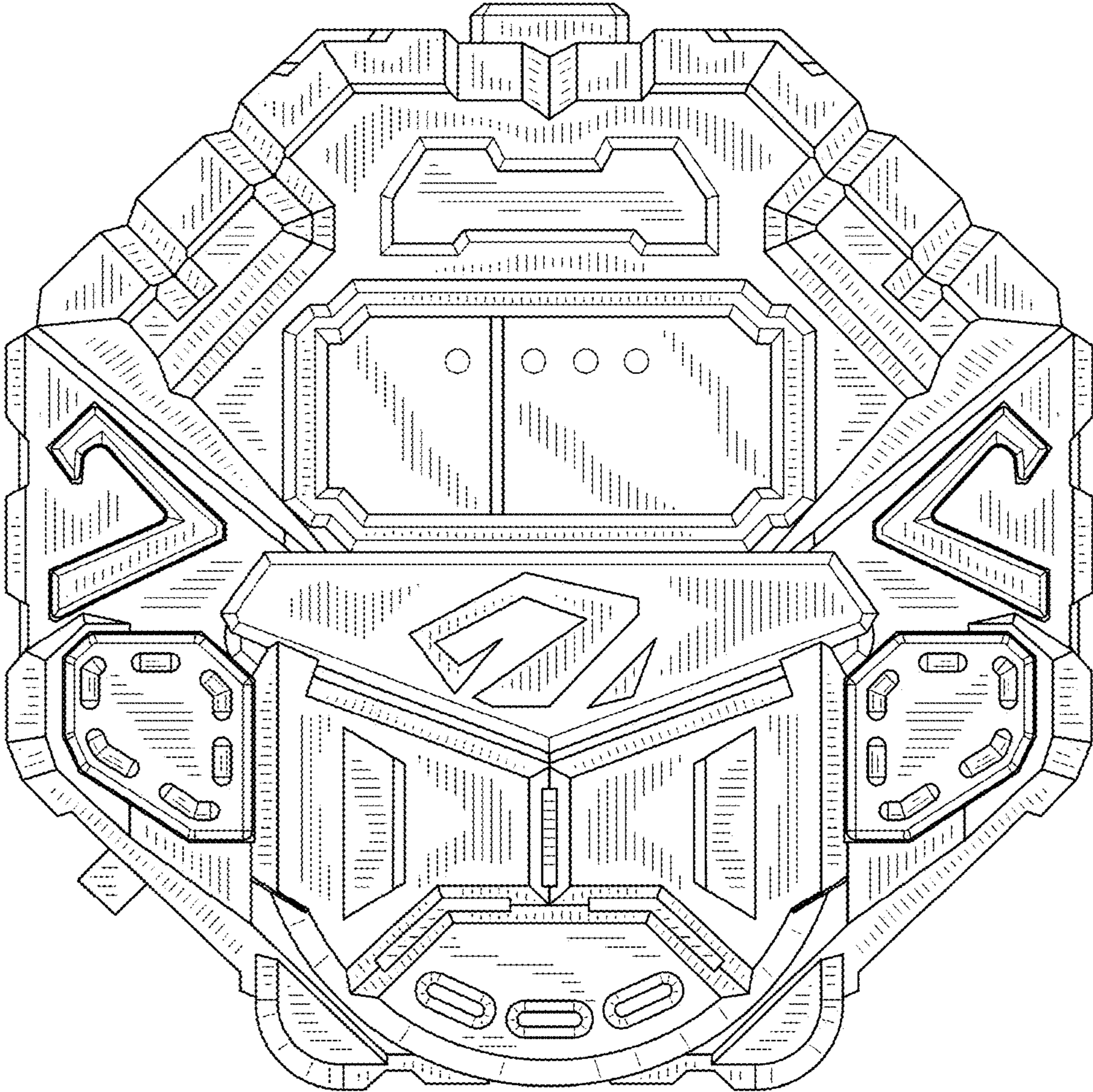


FIG. 3

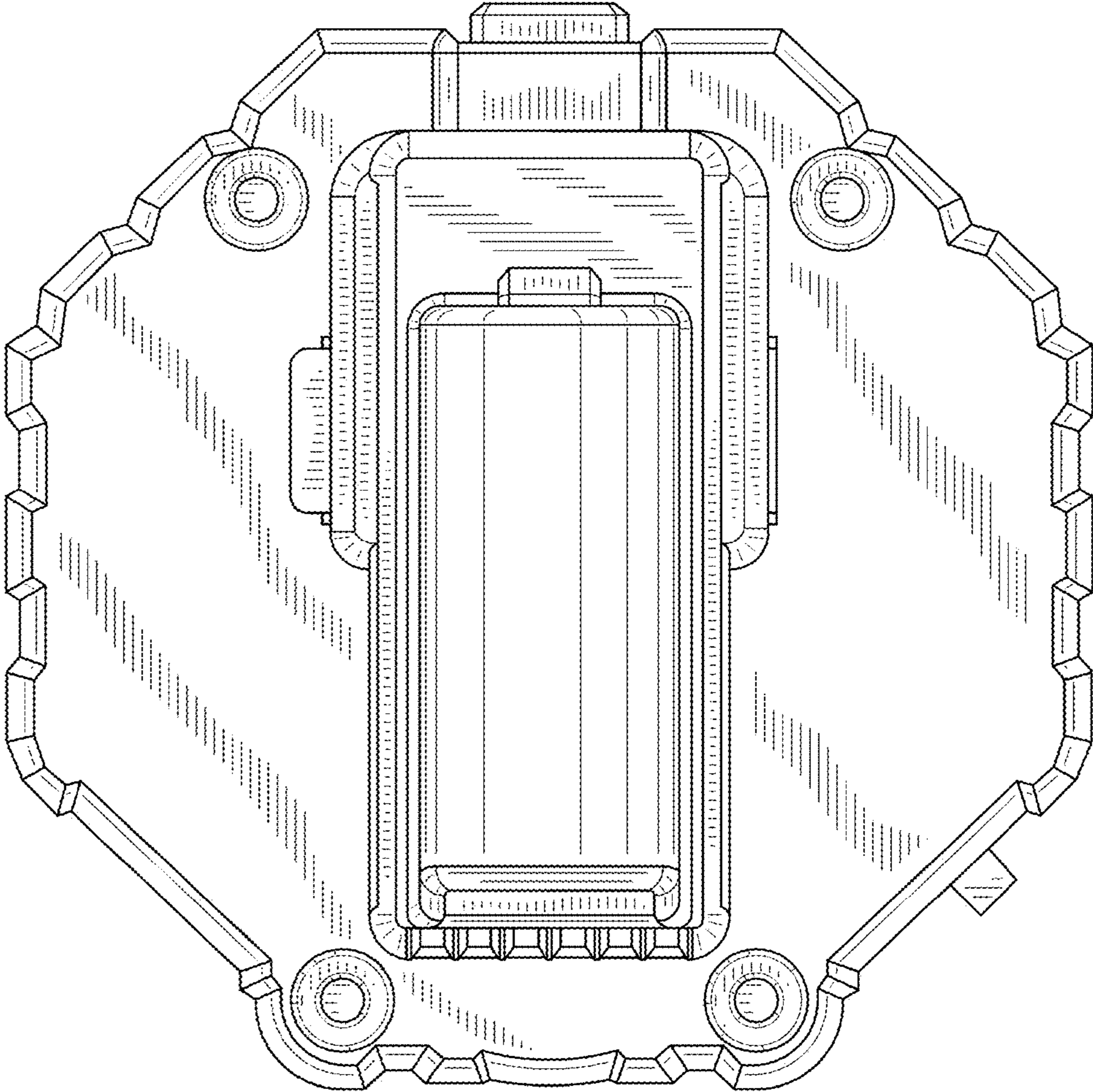


FIG. 4

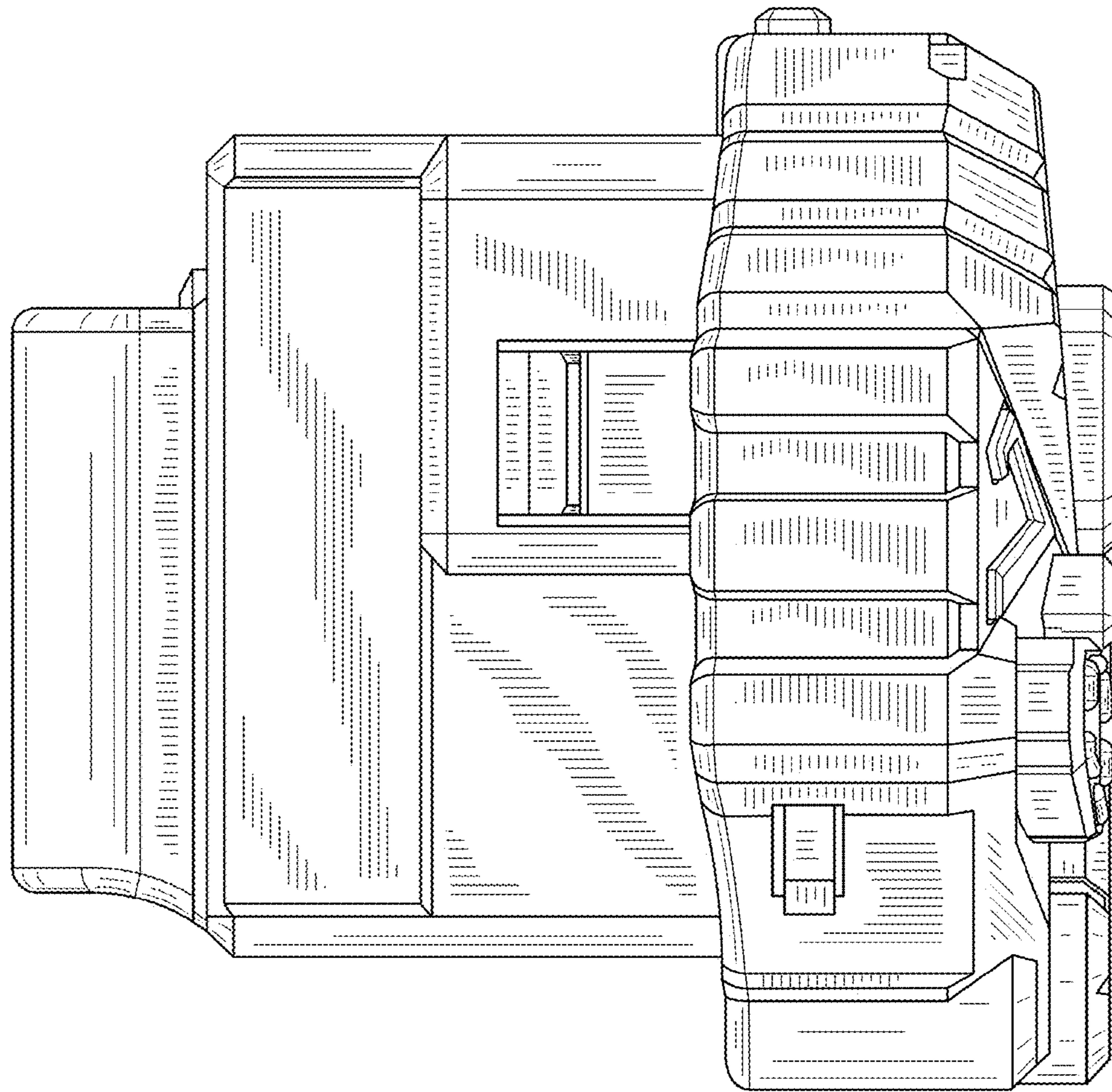


FIG. 5

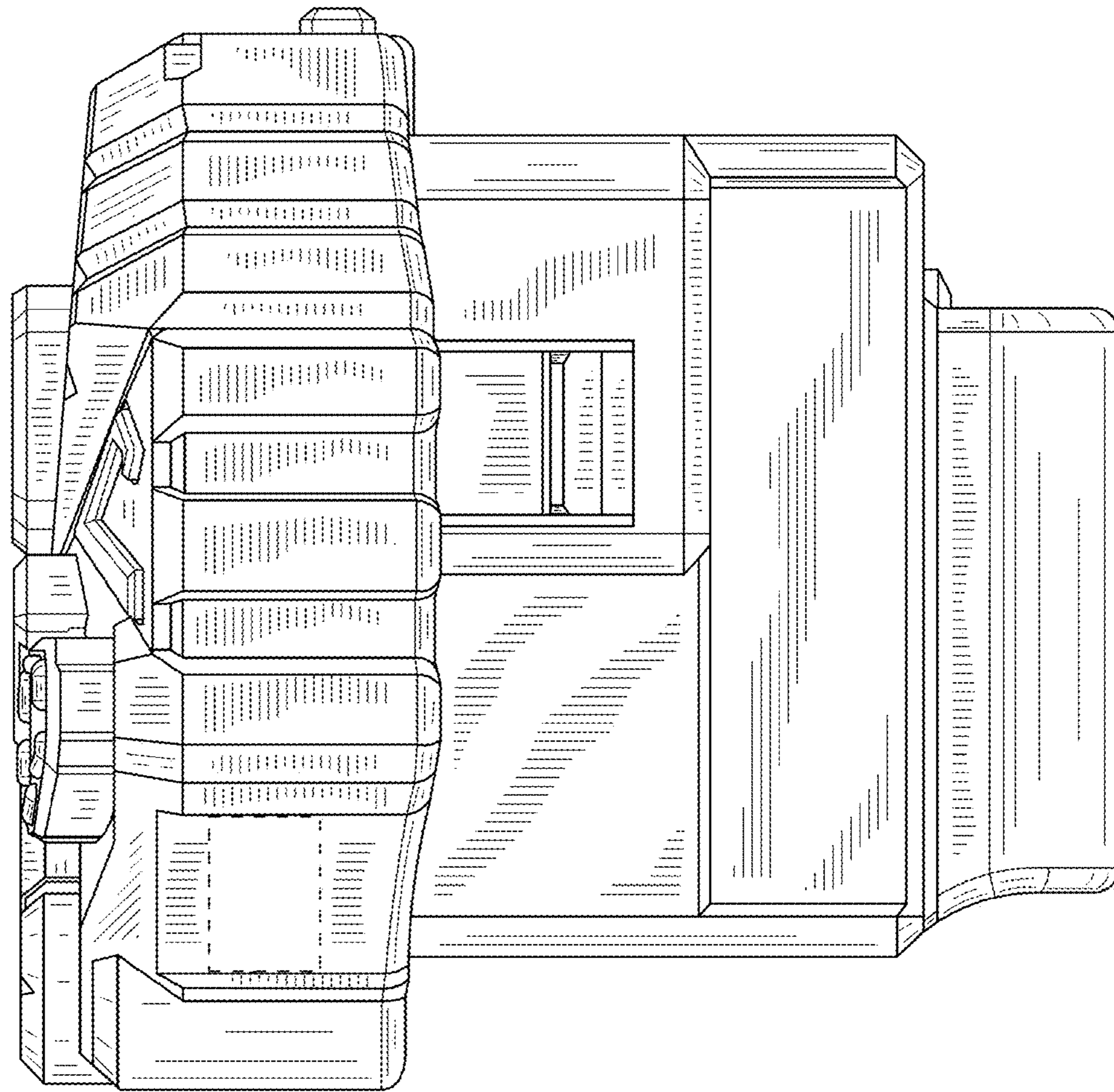


FIG. 6

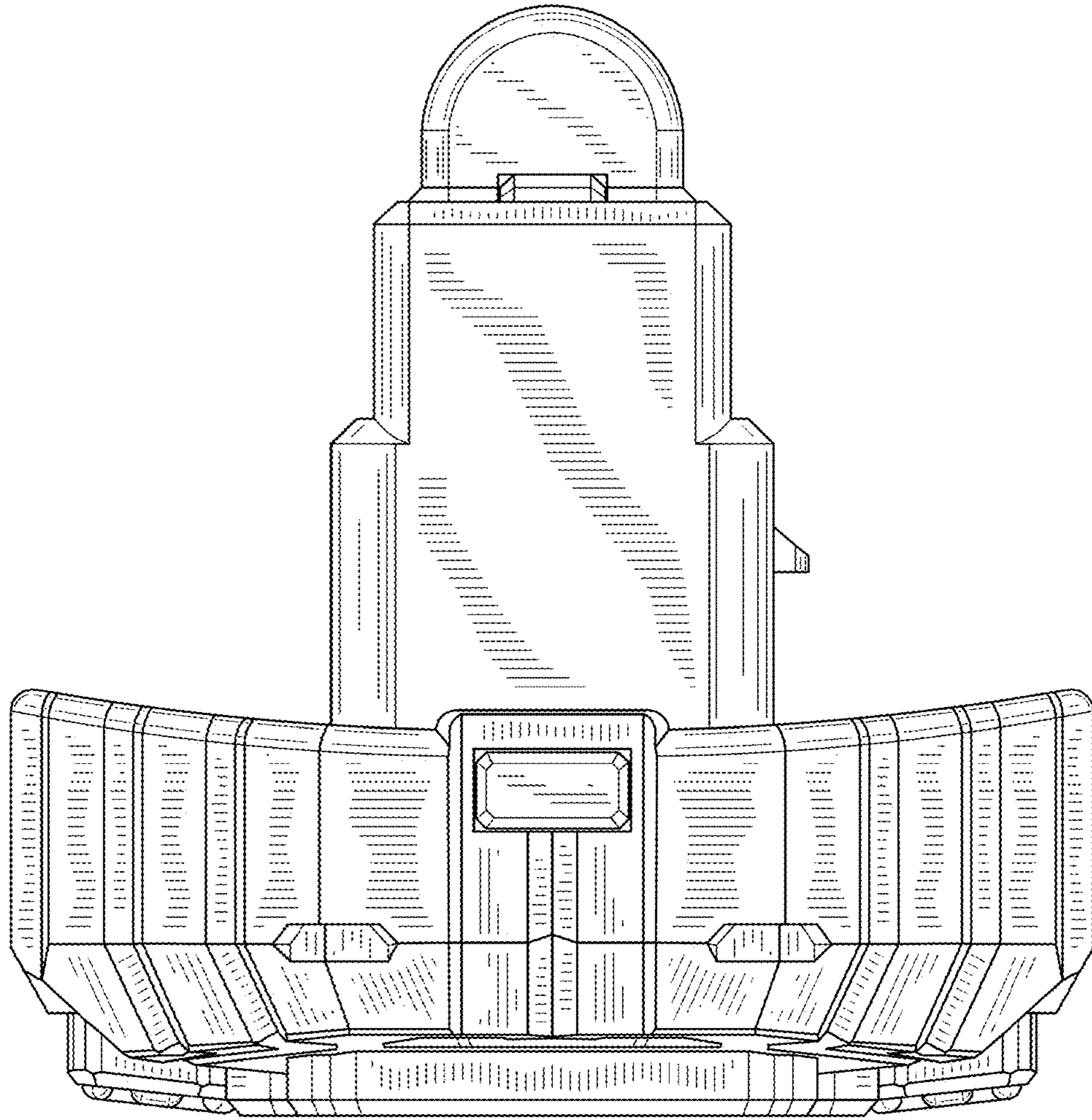


FIG. 7

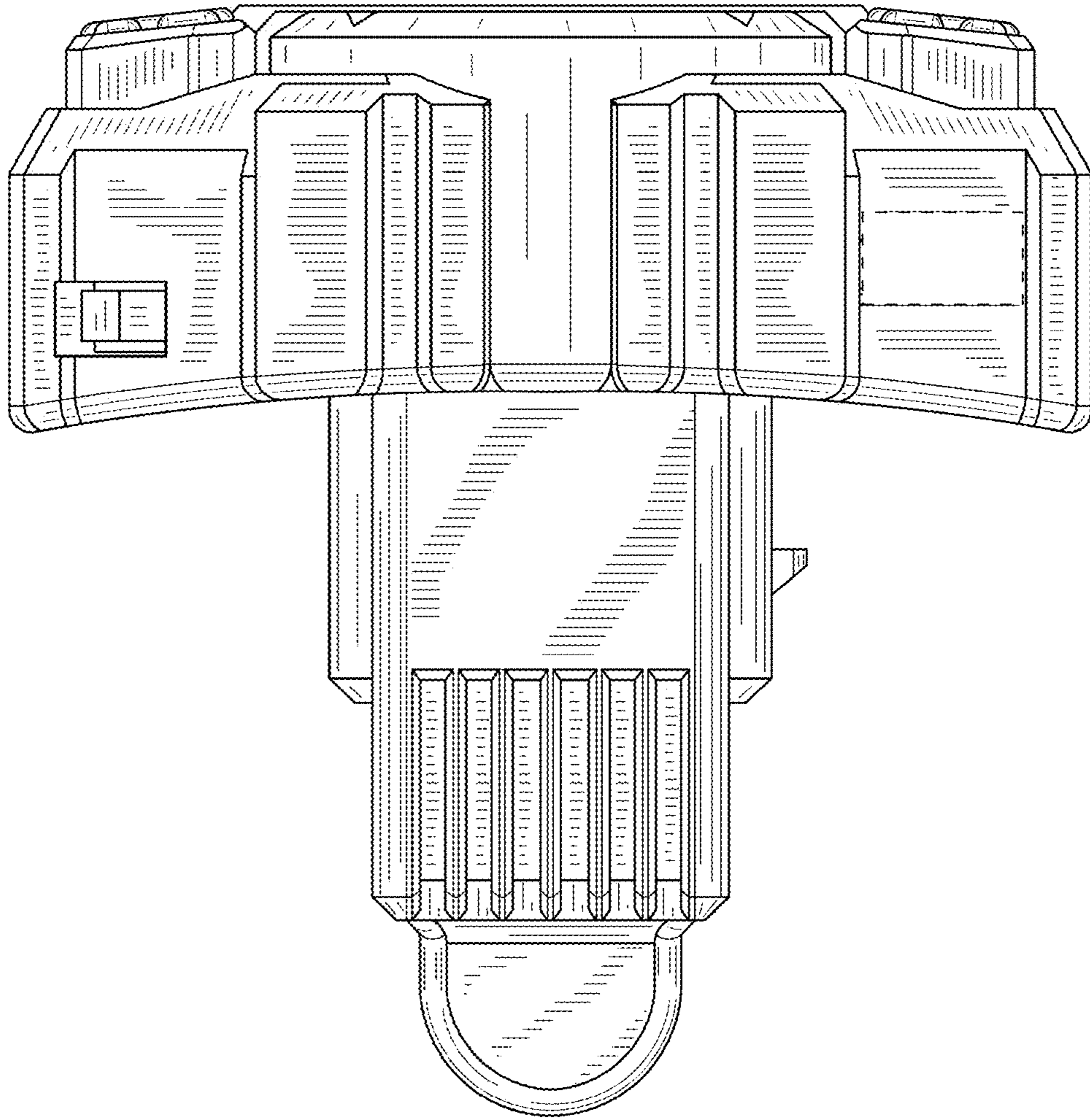


FIG. 8