



US00D886041S

(12) **United States Design Patent** (10) **Patent No.:** **US D886,041 S**  
**Schultz et al.** (45) **Date of Patent:** **\*\* Jun. 2, 2020**

(54) **TIRE**  
(71) Applicant: **Bridgestone Americas Tire Operations, LLC**, Nashville, TN (US)  
(72) Inventors: **David E. Schultz**, Stow, OH (US); **Wesley M. Schwarz**, Ravenna, OH (US)  
(73) Assignee: **Bridgestone Americas Tire Operations, LLC**, Nashville, TN (US)  
(\*\*) Term: **15 Years**  
(21) Appl. No.: **29/661,748**

D743,328 S 11/2015 Sareen  
D757,641 S \* 5/2016 Kristen ..... D12/588  
D759,579 S \* 6/2016 Kristen ..... D12/588  
D762,160 S \* 7/2016 Kristen ..... D12/583  
D763,183 S 8/2016 Ono  
D772,149 S 11/2016 Kwak  
D772,152 S 11/2016 Matsuda  
D779,420 S 2/2017 Krier et al.  
D780,681 S 3/2017 Krier et al.  
D781,225 S 3/2017 Westaway  
D785,551 S 5/2017 Farinelle et al.  
D787,436 S 5/2017 Dixon et al.  
D788,693 S 6/2017 Westaway  
D789,277 S 6/2017 Dixon et al.  
D789,284 S 6/2017 Krier et al.  
D791,689 S 7/2017 Schuessler

(Continued)

(22) Filed: **Aug. 30, 2018**  
(51) **LOC (12) Cl.** ..... **12-15**  
(52) **U.S. Cl.**  
USPC ..... **D12/604**  
(58) **Field of Classification Search**  
USPC ..... D12/568, 574-604  
CPC ..... Y10T 152/10027; B60C 1/0016; B60C 11/0306; B60C 11/0302; B60C 3/06; B60C 9/17  
See application file for complete search history.

**OTHER PUBLICATIONS**

Schultz, David E. et al., Design U.S. Appl. No. 29/660,686, filed Aug. 22, 2018 entitled "Tire".

*Primary Examiner* — Lakiya G Rogers  
*Assistant Examiner* — John A Voytek  
(74) *Attorney, Agent, or Firm* — Shaun J. Fox

(57) **CLAIM**

The ornamental design for a tire, as shown and described.

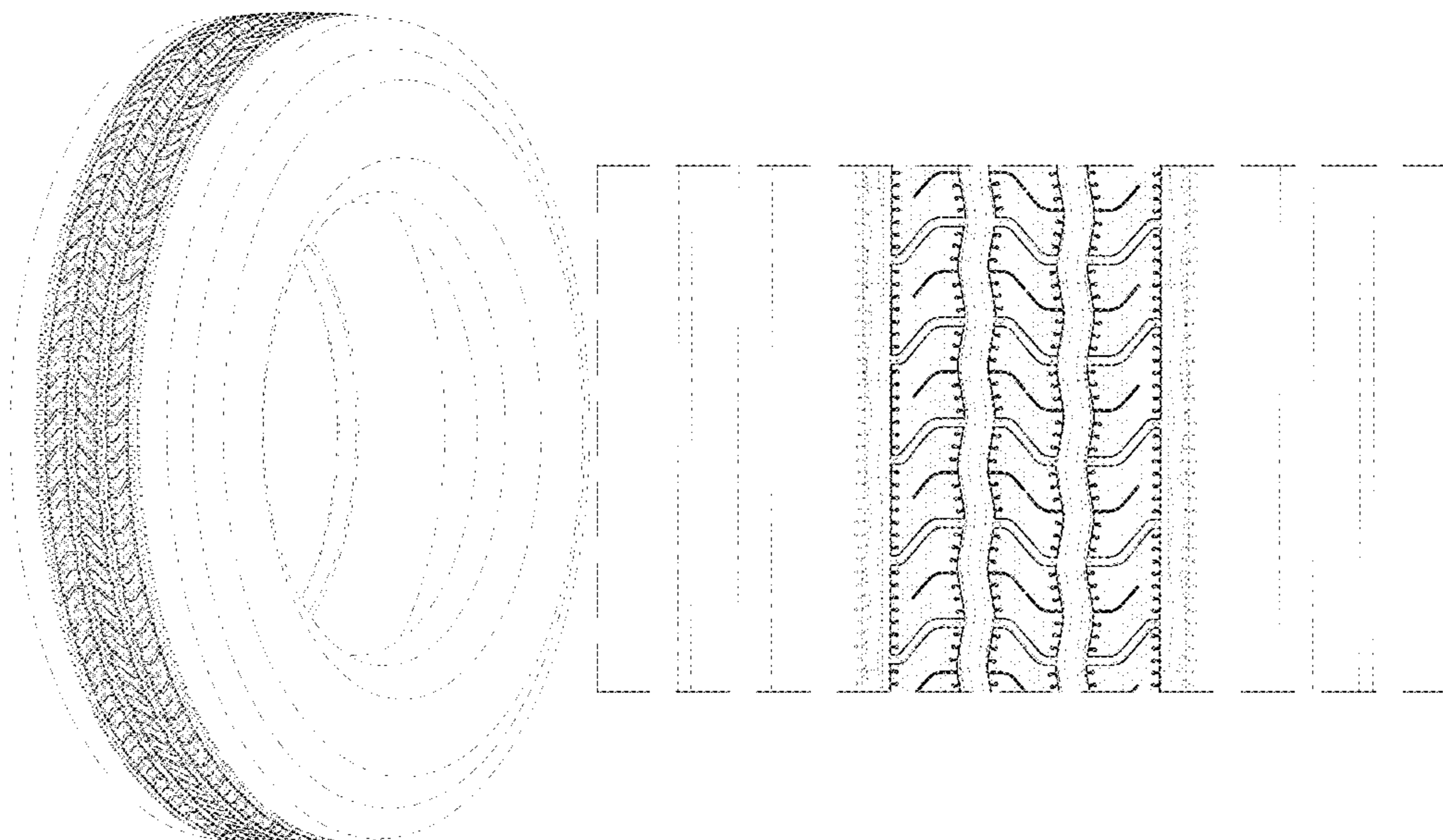
**DESCRIPTION**

FIG. 1 is a side perspective view of a tire showing our new design;  
FIG. 2 is a front elevational view thereof;  
FIG. 3 is a side elevational view of the left side thereof;  
FIG. 4 is a side elevational view of the right side thereof;  
and,  
FIG. 5 is an enlarged fragmentary view thereof.  
In the drawings, the broken lines depict environmental subject matter only and form no part of the claimed design.

**1 Claim, 5 Drawing Sheets**

(56) **References Cited**  
U.S. PATENT DOCUMENTS

D489,318 S 5/2004 Buresh et al.  
D511,741 S 11/2005 Cazin-Bourguignon et al.  
D610,077 S 2/2010 Tobino  
D610,529 S 2/2010 Tobino et al.  
D610,971 S 3/2010 Zimmerman et al.  
D610,972 S 3/2010 You  
D617,262 S 6/2010 Tobino  
D643,804 S 8/2011 Dixon et al.  
D710,296 S 8/2014 Bani Hani et al.  
D713,783 S 9/2014 Buchinger-Barnstorf  
D730,273 S 5/2015 Schimmoeller  
D740,211 S 10/2015 Parr et al.



(56)

**References Cited**

U.S. PATENT DOCUMENTS

D811,992 S *	3/2018	Di-Mauro .....	D12/588
D822,588 S *	7/2018	Skurich .....	D12/600
D823,234 S *	7/2018	Bonko .....	D12/587
D826,141 S *	8/2018	Castellini .....	D12/604
D837,723 S *	1/2019	Schultz .....	D12/588
D856,912 S *	8/2019	Schultz .....	D12/604
D860,927 S *	9/2019	Dixon .....	D12/600

\* cited by examiner

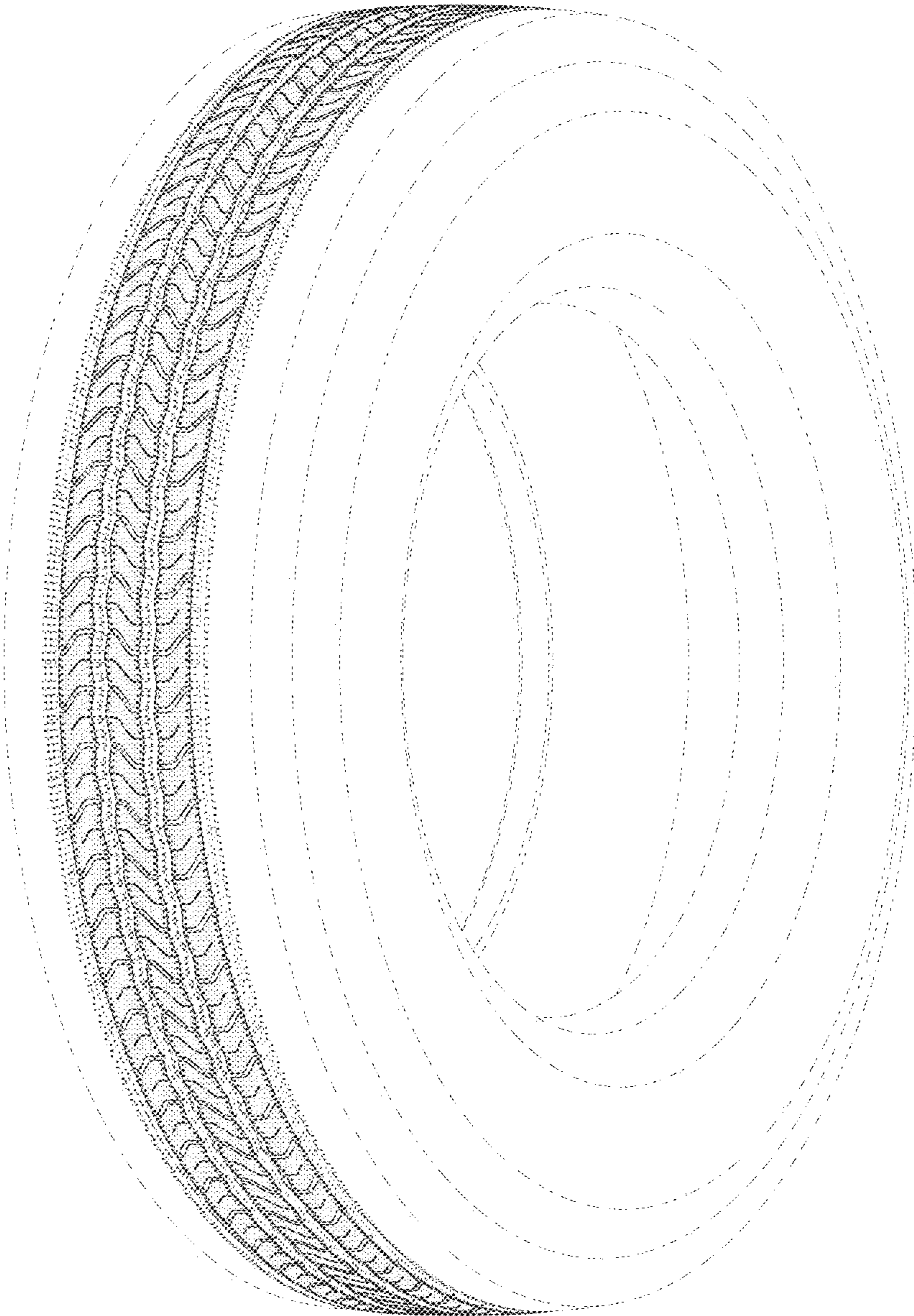


FIG. 1

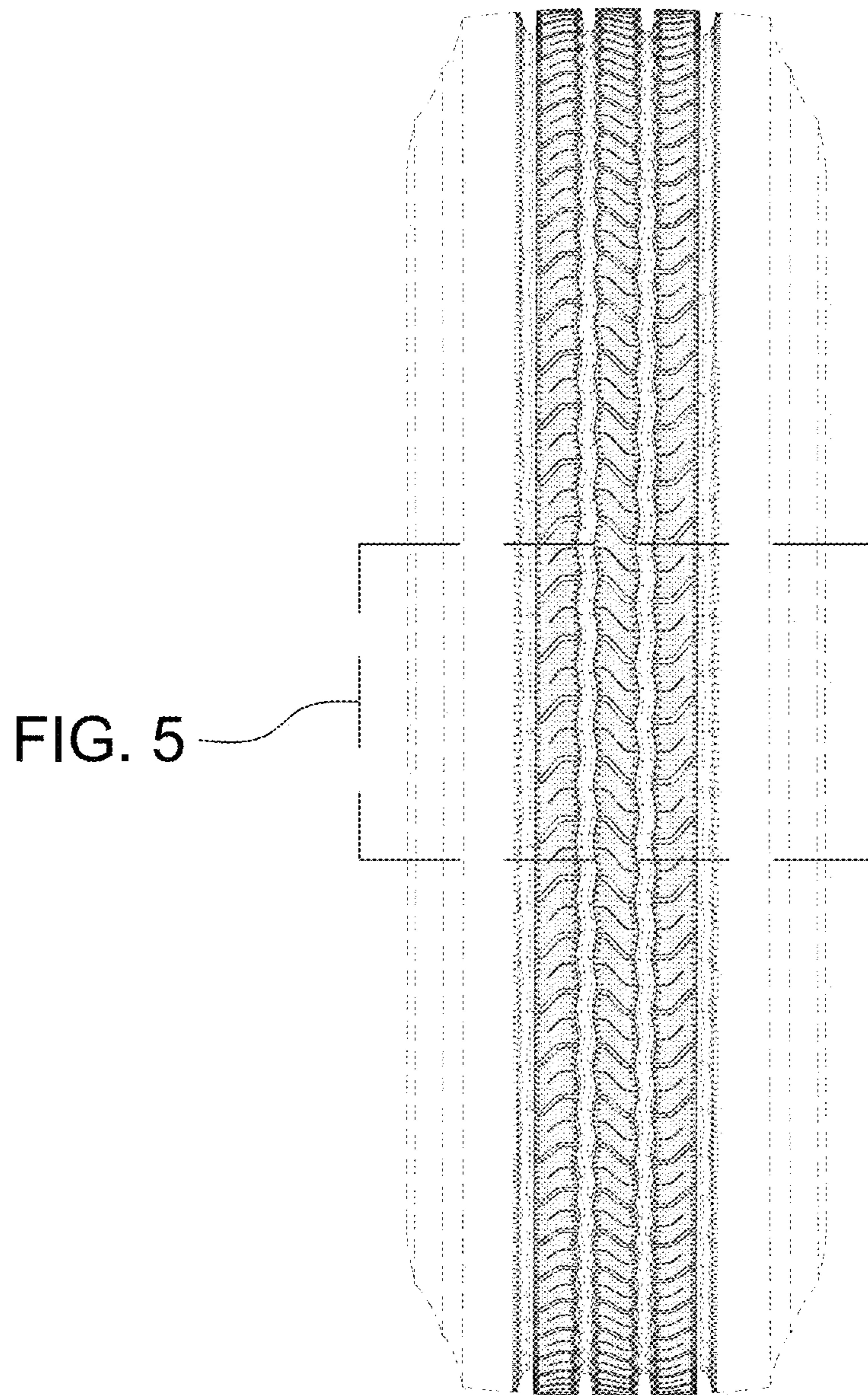


FIG. 2

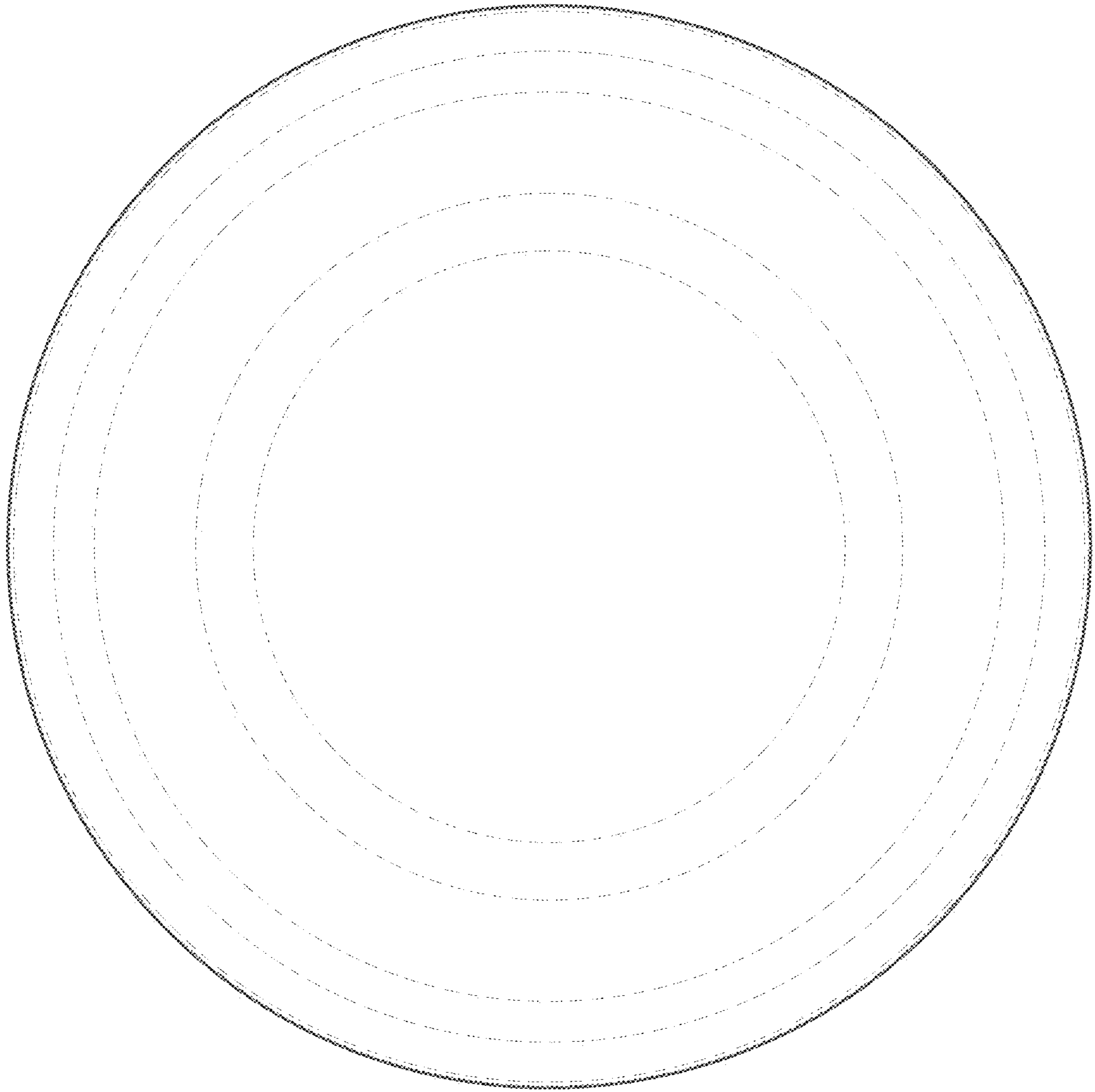


FIG. 3

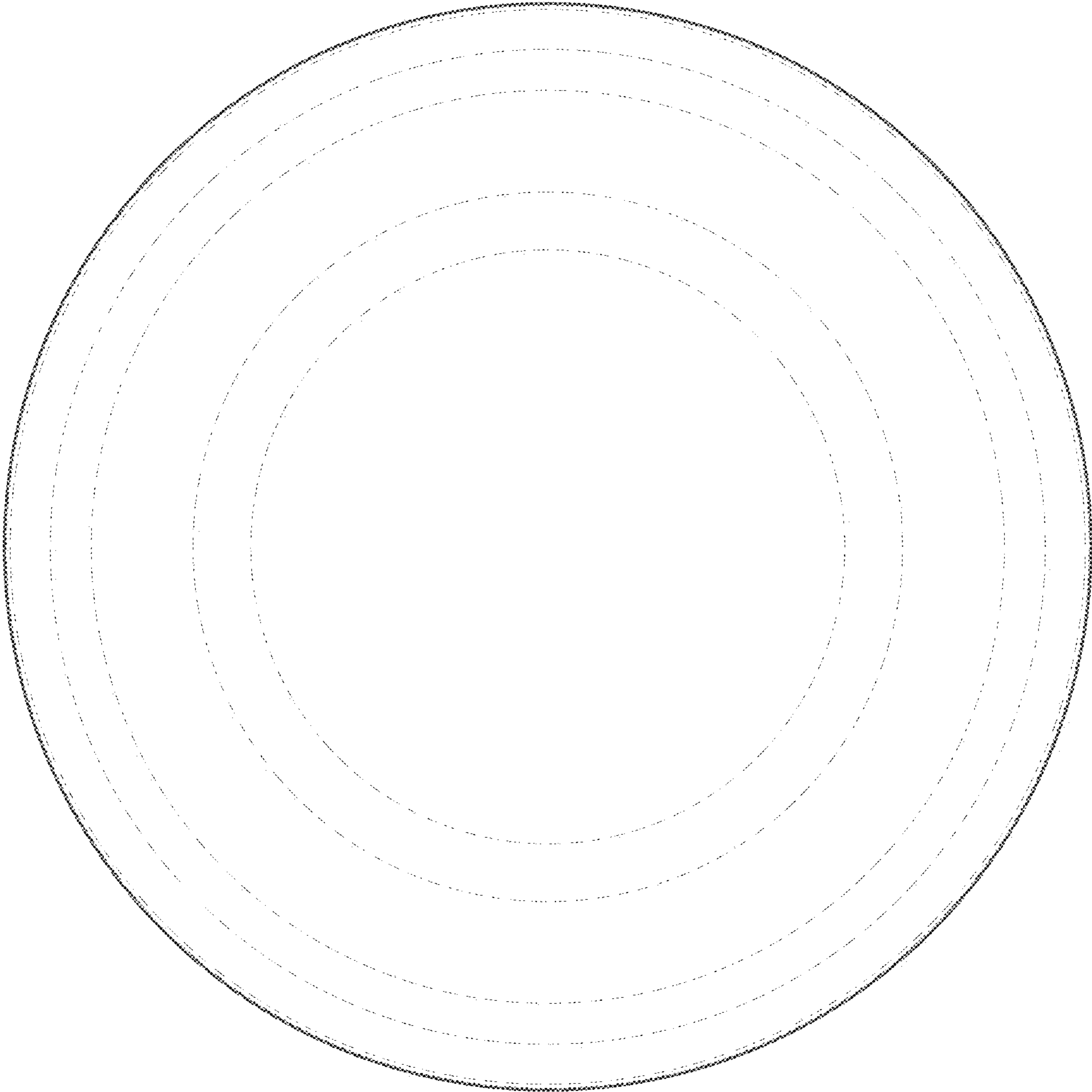


FIG. 4

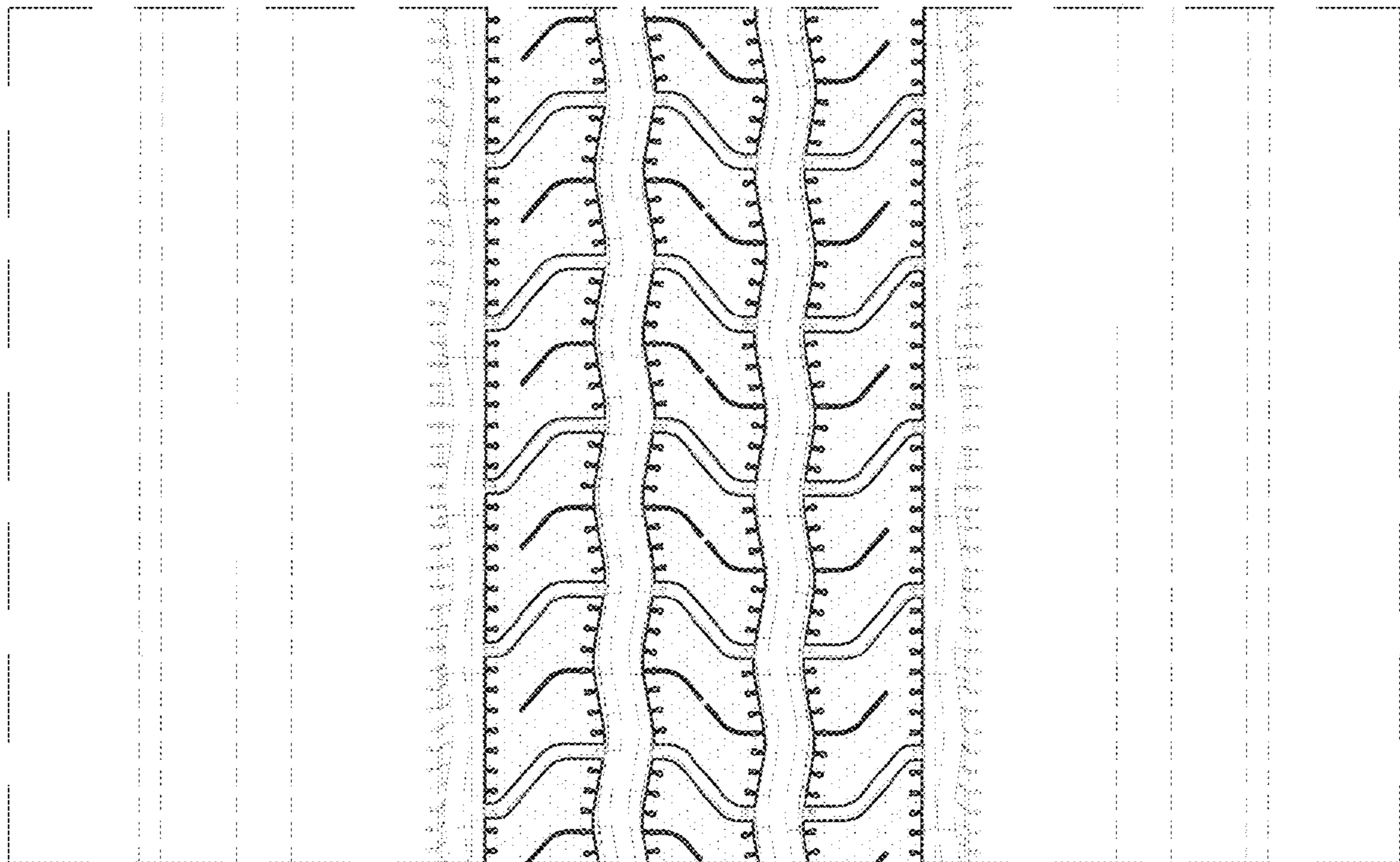


FIG. 5