



US00D886025S

(12) **United States Design Patent**
Bennett

(10) **Patent No.:** **US D886,025 S**
(45) **Date of Patent:** **** Jun. 2, 2020**

(54) **SUPPORT BRACKET**

(71) Applicant: **OMIX-ADA, INC.**, Ann Arbor, MI
(US)

(72) Inventor: **Patrick W. Bennett**, Gainsville, GA
(US)

(73) Assignee: **OMIX-ADA, INC.**, Ann Arbor, MI
(US)

(**) Term: **15 Years**

(21) Appl. No.: **29/674,054**

(22) Filed: **Dec. 19, 2018**

Related U.S. Application Data

(63) Continuation of application No. 29/668,002, filed on
Oct. 26, 2018.

(51) **LOC (12) Cl.** **12-06**

(52) **U.S. Cl.**
USPC **D12/223; D8/354**

(58) **Field of Classification Search**
USPC D8/349, 354, 382; D12/400, 223, 181,
D12/184, 185

CPC B62D 25/16; B62D 25/163; B62D 25/165;
B62D 25/168; B62D 25/18; B60R 11/00;
B60R 13/04; B60R 2011/004

See application file for complete search history.

(56) **References Cited**

U.S. PATENT DOCUMENTS

- 3,782,757 A * 1/1974 Juergens B62D 25/163
280/851
- 3,953,053 A * 4/1976 Arenhold B62D 25/18
280/851
- 4,605,238 A * 8/1986 Arenhold B62D 25/18
24/581.1
- 5,048,868 A * 9/1991 Arenhold B62D 25/18
280/848
- D336,885 S 6/1993 Hart et al.

- D389,438 S 1/1998 Guichard et al.
 - D395,269 S 6/1998 McCauley, Jr.
 - D397,321 S * 8/1998 Huang D12/223
 - D463,251 S * 9/2002 Shea D8/354
- (Continued)

OTHER PUBLICATIONS

Potentially Related U.S. Appl. No. 29/462,701, filed Aug. 7, 2013,
granted as U.S. Pat. No. D. 712,324 on Sep. 2, 2014.

(Continued)

Primary Examiner — Sandra S Snapp

Assistant Examiner — Ieisha N Price

(74) *Attorney, Agent, or Firm* — The Dobrusin Law Firm,
P.C.; Bryan S. Lemanski

(57) **CLAIM**

The ornamental design for a support bracket, as shown and
described.

DESCRIPTION

FIG. 1 is an environmental perspective view of the present
design shown connected to a vehicle.

FIG. 2 is a perspective view of the present design

FIG. 3 is a front elevational view of FIG. 2.

FIG. 4 is a left side elevational view of FIG. 2.

FIG. 5 is a right side elevational view of FIG. 2

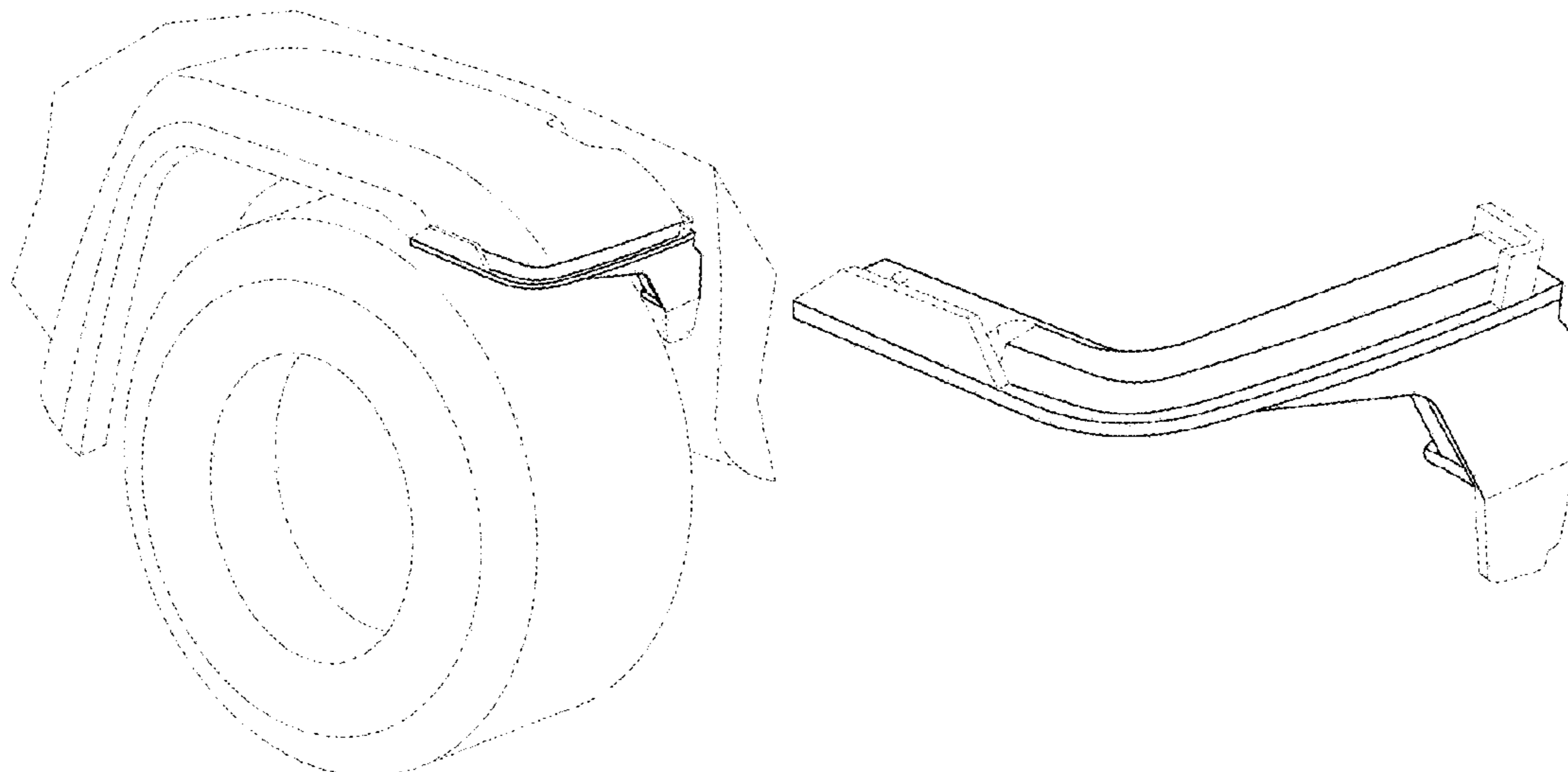
FIG. 6 is a top plan view of FIG. 2.

FIG. 7 is a back elevational view of FIG. 2; and,

FIG. 8 is a bottom plan view of FIG. 2.

The broken line showing of the vehicle body and wheel
illustrates the environment of the claimed design and forms
no part thereof. The remaining broken lines in the drawings
illustrate portions of the support bracket and form no part of
the claimed design. The dot dash dot broken lines in the
drawings define the boundaries of the claim and form no part
thereof.

1 Claim, 4 Drawing Sheets



(56)

References Cited

U.S. PATENT DOCUMENTS

6,648,373 B2 * 11/2003 Hawes B62D 25/168
280/154
D497,572 S 10/2004 Widmann et al.
D508,441 S 8/2005 Moushegian et al.
D521,439 S * 5/2006 Chapman D12/223
D534,836 S 1/2007 Moushegian et al.
D535,585 S 1/2007 Moushegian et al.
D554,563 S 11/2007 Moushegian et al.
D565,466 S 4/2008 Moushegian et al.
D570,509 S 6/2008 Logan
D573,507 S 7/2008 Moushegian et al.
D582,825 S 12/2008 Logan
D584,668 S * 1/2009 Raghavendran D12/184
D594,313 S * 6/2009 Clarke D8/354
D623,103 S 9/2010 Braga
D644,581 S 9/2011 Beigel et al.
D644,972 S 9/2011 Beigel et al.
D647,386 S * 10/2011 Pelini D8/349
D652,365 S * 1/2012 Lindloff D12/223
D695,171 S 12/2013 Riggs et al.
D699,169 S 2/2014 Waclawski et al.
D712,324 S 9/2014 McFarlin et al.
D729,133 S * 5/2015 McGaughey D12/159
D741,234 S 10/2015 Hanson et al.
D741,235 S 10/2015 Hanson et al.
D765,569 S 9/2016 Hall et al.
D778,795 S 2/2017 Johns et al.
D784,115 S * 4/2017 Rago D8/354
D787,916 S * 5/2017 Yuan D12/223
D789,179 S * 6/2017 Minkovich D8/354
D796,938 S * 9/2017 Rago D8/354
D798,693 S * 10/2017 Kanagal Narasimhaswamy
D8/354
D808,576 S * 1/2018 Clarke D26/138

D825,317 S * 8/2018 Klein D8/354
D834,463 S * 11/2018 Brunkhurst D12/159
D843,287 S * 3/2019 Wock D12/185
2007/0216199 A1 * 9/2007 Ito B62D 25/161
296/198
2013/0193300 A1 * 8/2013 Eklund B62D 25/163
248/610
2015/0115652 A1 * 4/2015 Peng B62D 25/168
296/180.4
2015/0251614 A1 * 9/2015 Boksebeld B62D 25/105
293/155

OTHER PUBLICATIONS

Potentially Related U.S. Appl. No. 29/544,313, filed Nov. 2, 2015, granted as U.S. Pat. No. D. 778,795 on Feb. 14, 2017.
Amazon.com Rugged Ridge, Amazon.com [online], first available date of Oct. 30, 2015, [last accessed Dec. 20, 2018] http://www.amazon.com/rugged-ridge-11640-30-Textured-Hurricane/dp/B017DN6M9/ref=sr_1_5?ie=UTF8&qid=1472084275&sr=8-5&keywords=rugged+ridge+fender+flares.
Omix-Ada Rugged Ridge Fender Flares, omix-ada.com [online], [last accessed Dec. 20, 2018] <http://www.omix-ada.com/hurricane-fender-flare-kit-textured-black-97-06-jeep-wrangler-tj.html>.
2007-2018 Jeep Wrangler (JK/JKU) LED Daytime Running Light System 260-1024-Jeep, Rostra Accessories, rostra.com [online] [last accessed Dec. 19, 2018] <http://www.rostra.com/jeep-wrangler-led-lights-drl.php>.
Potentially Related U.S. Appl. No. 29/668,002, filed Oct. 26, 2018.
Artec JL Front Fender Chop Kit Brackets, www.artecindustries.com/JL_Fender_Chop, dated May 3, 2019.

* cited by examiner

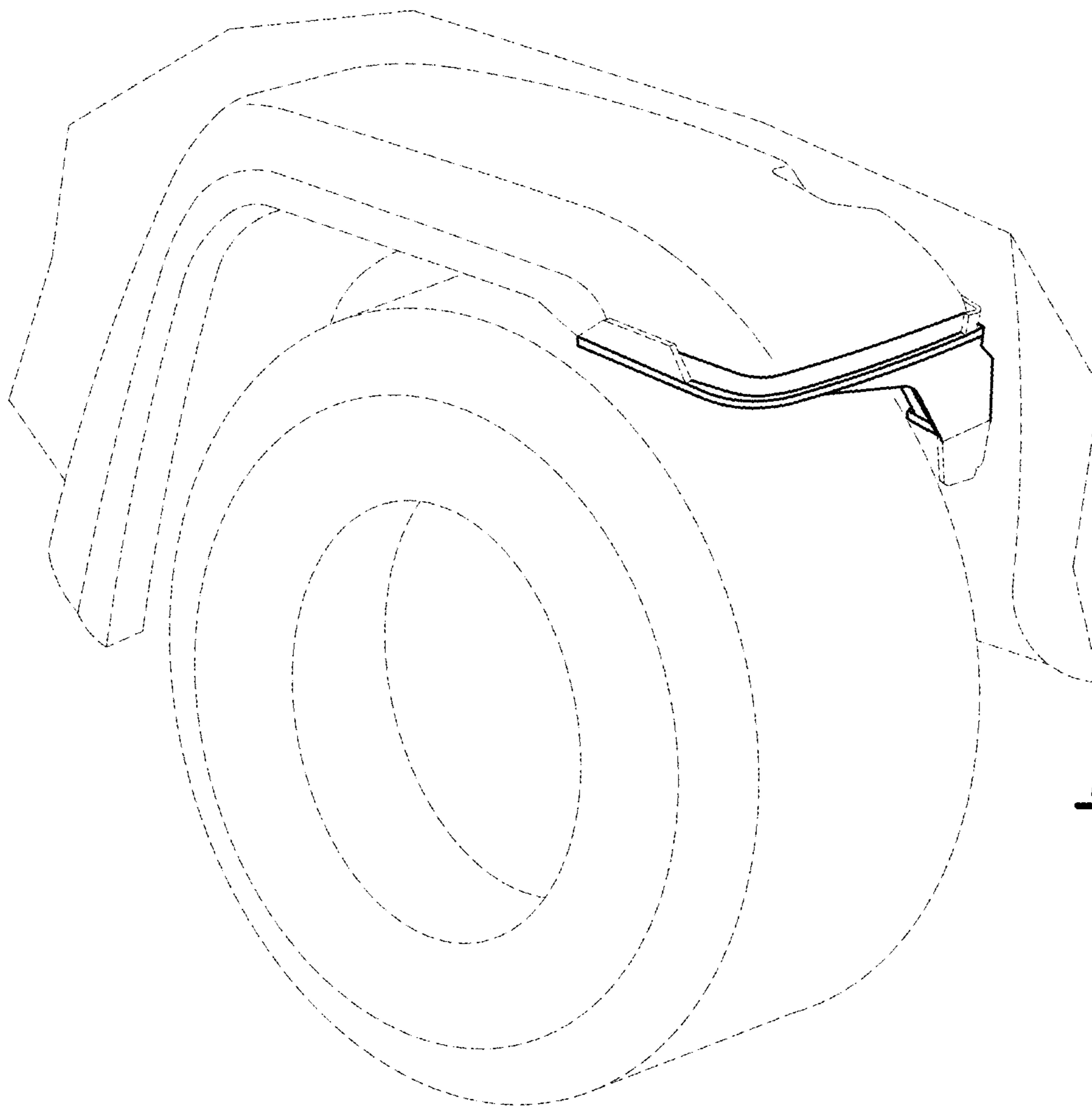


FIG - 1

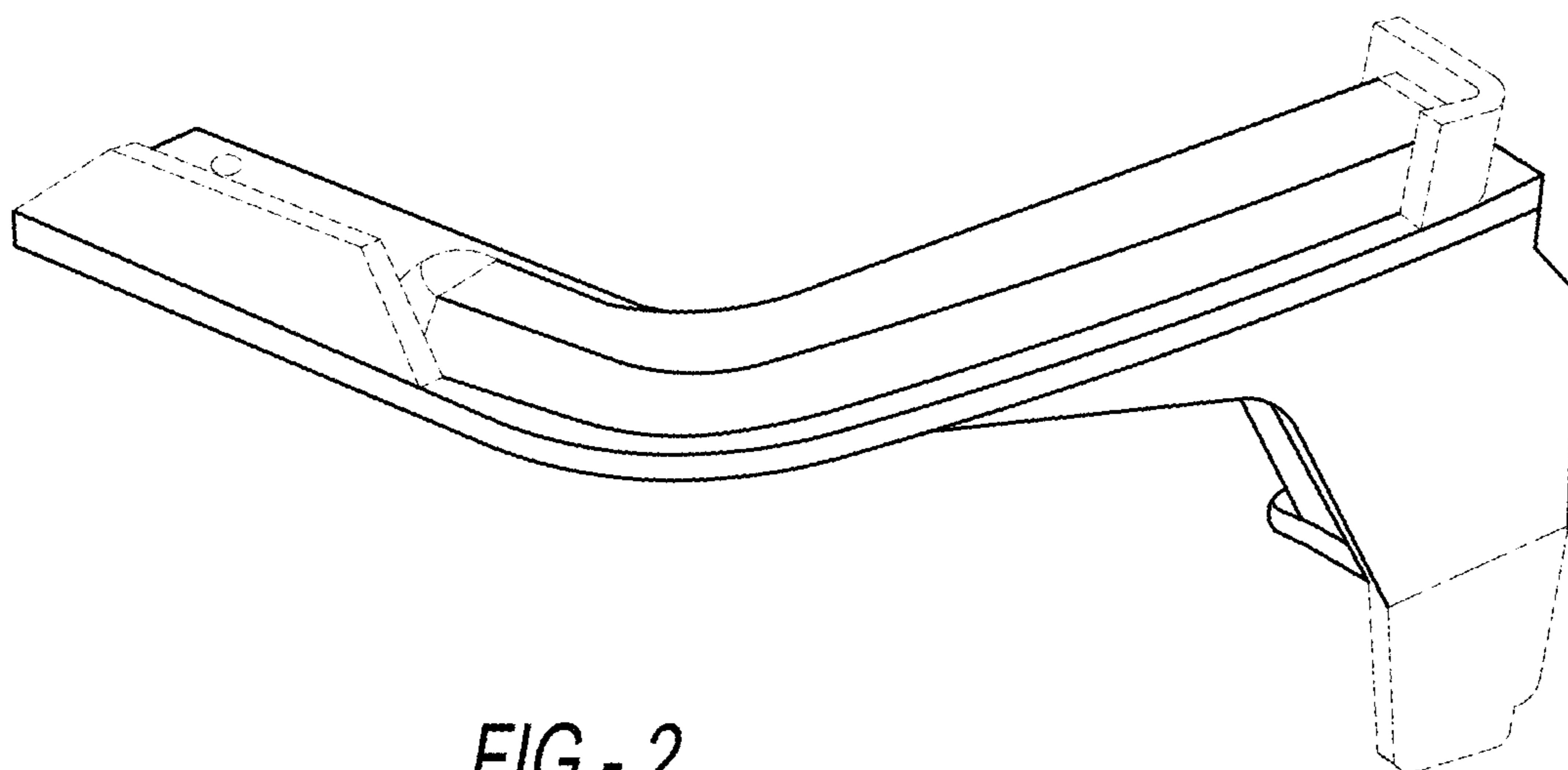
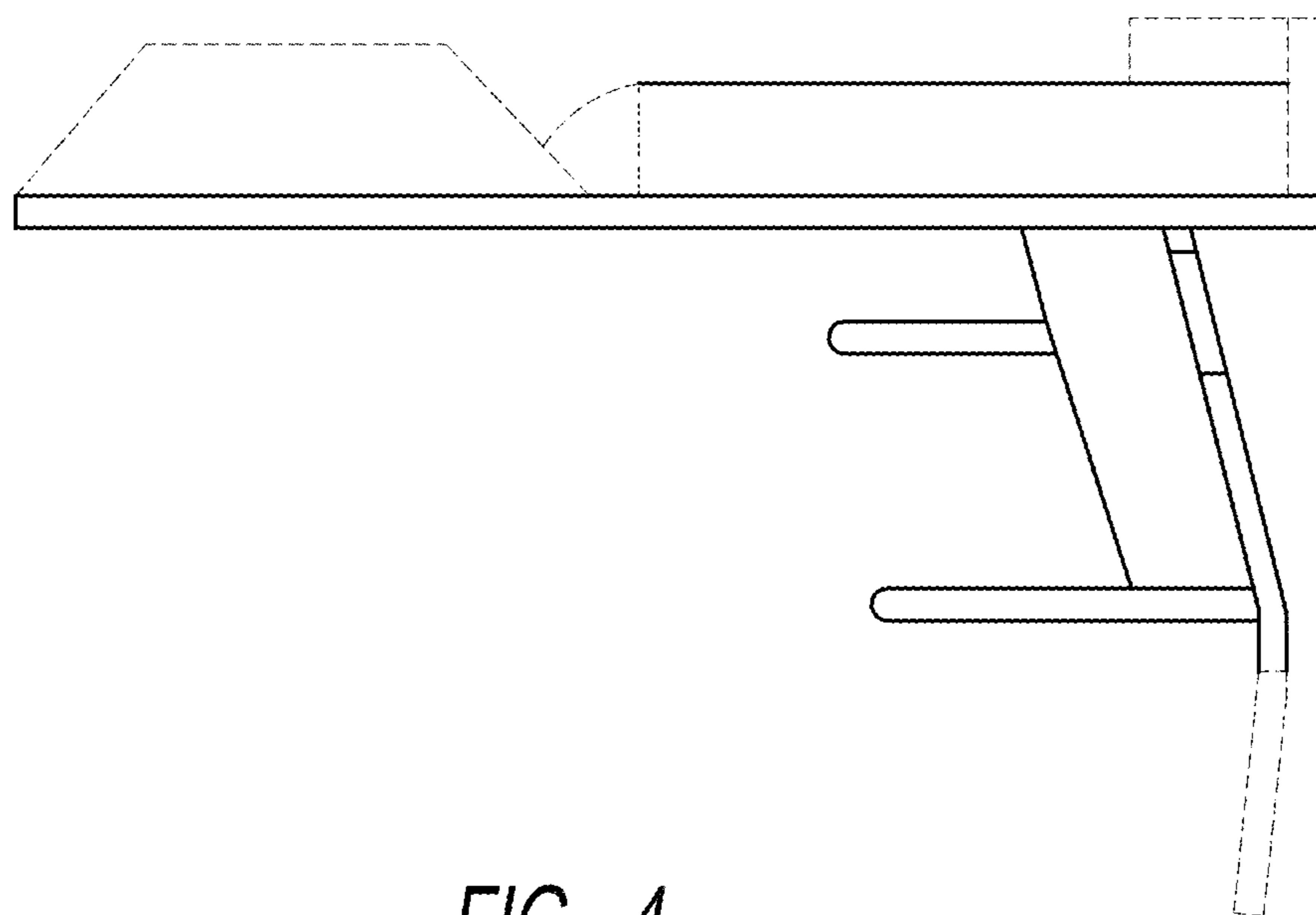
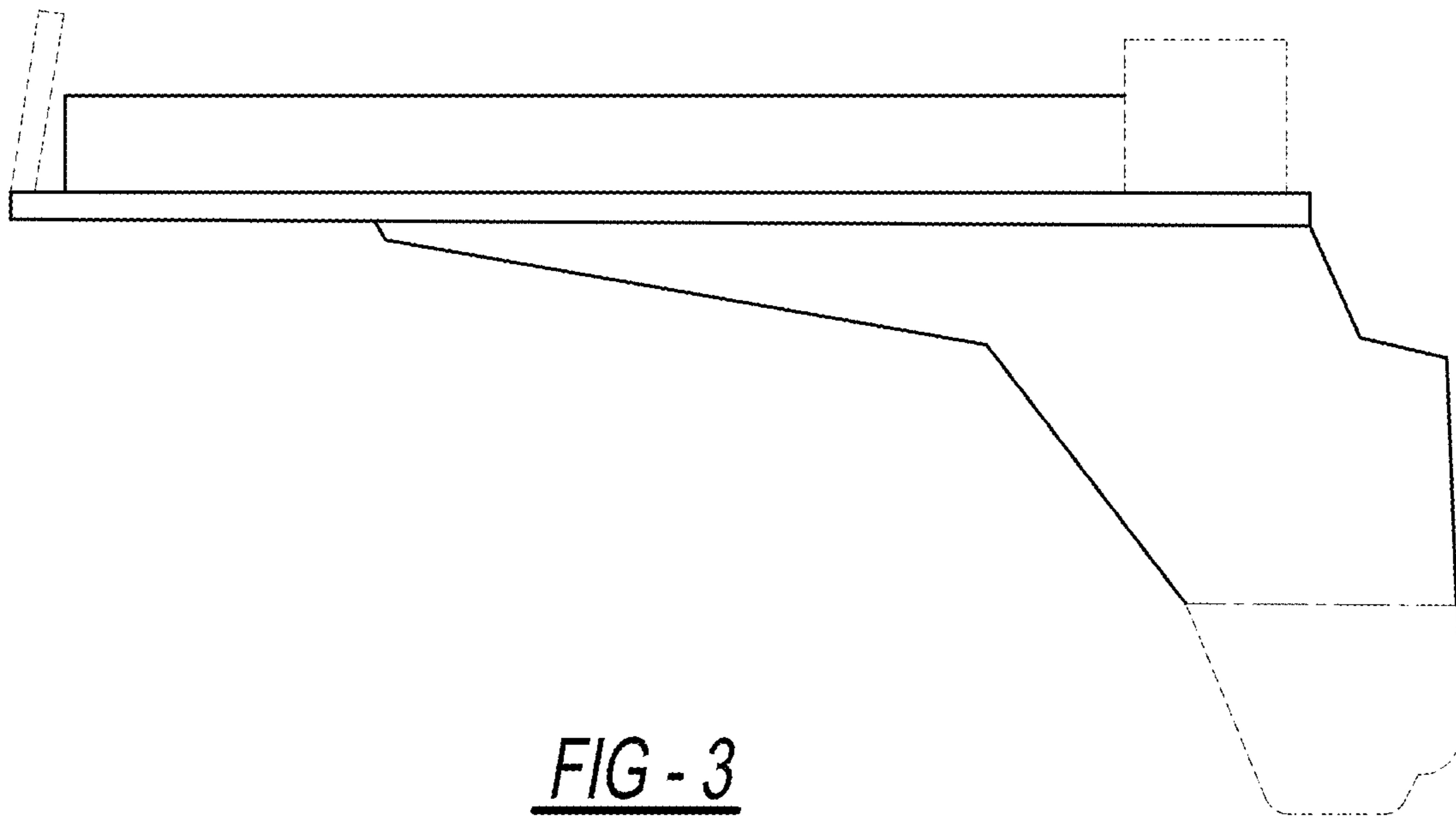


FIG - 2



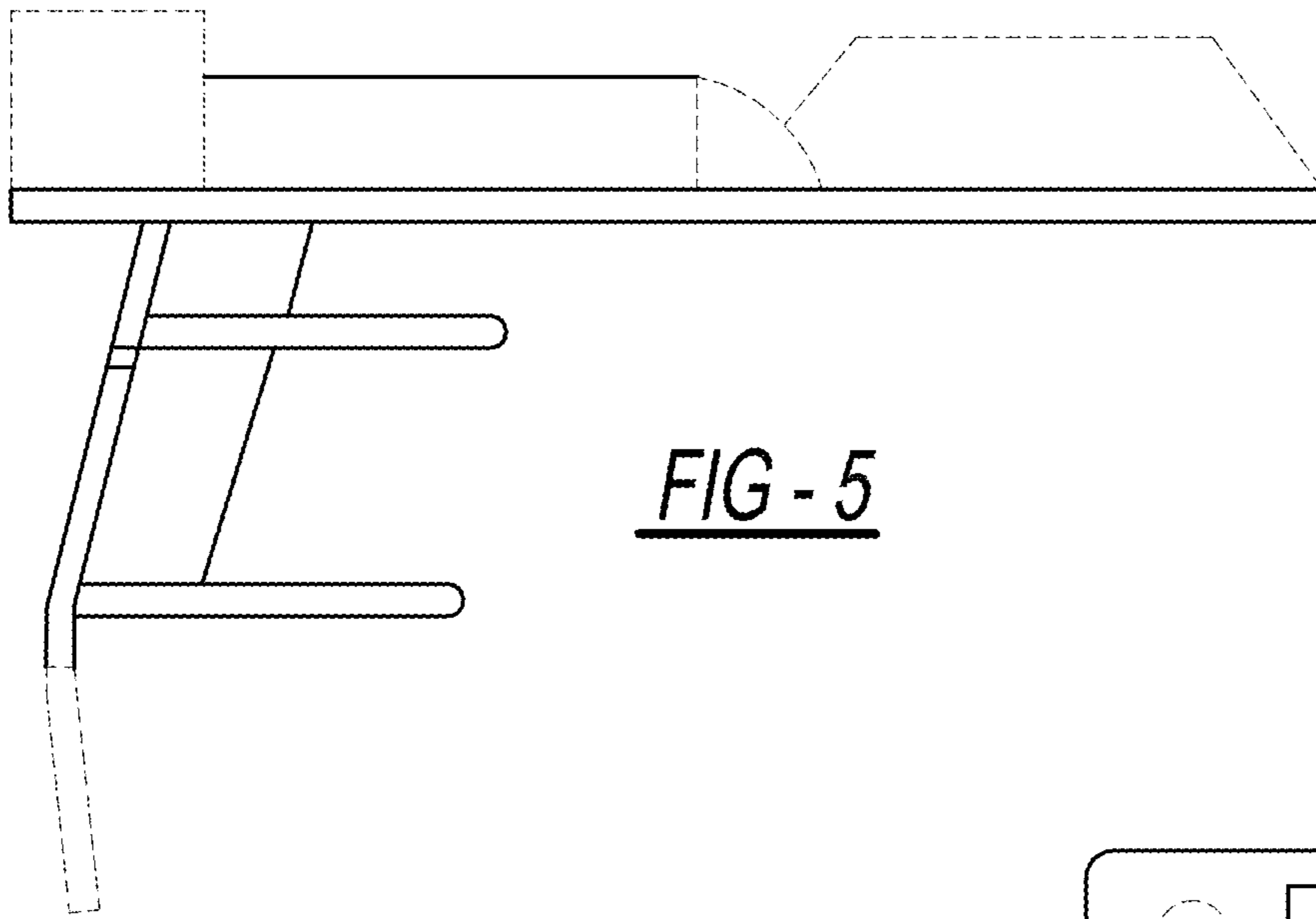
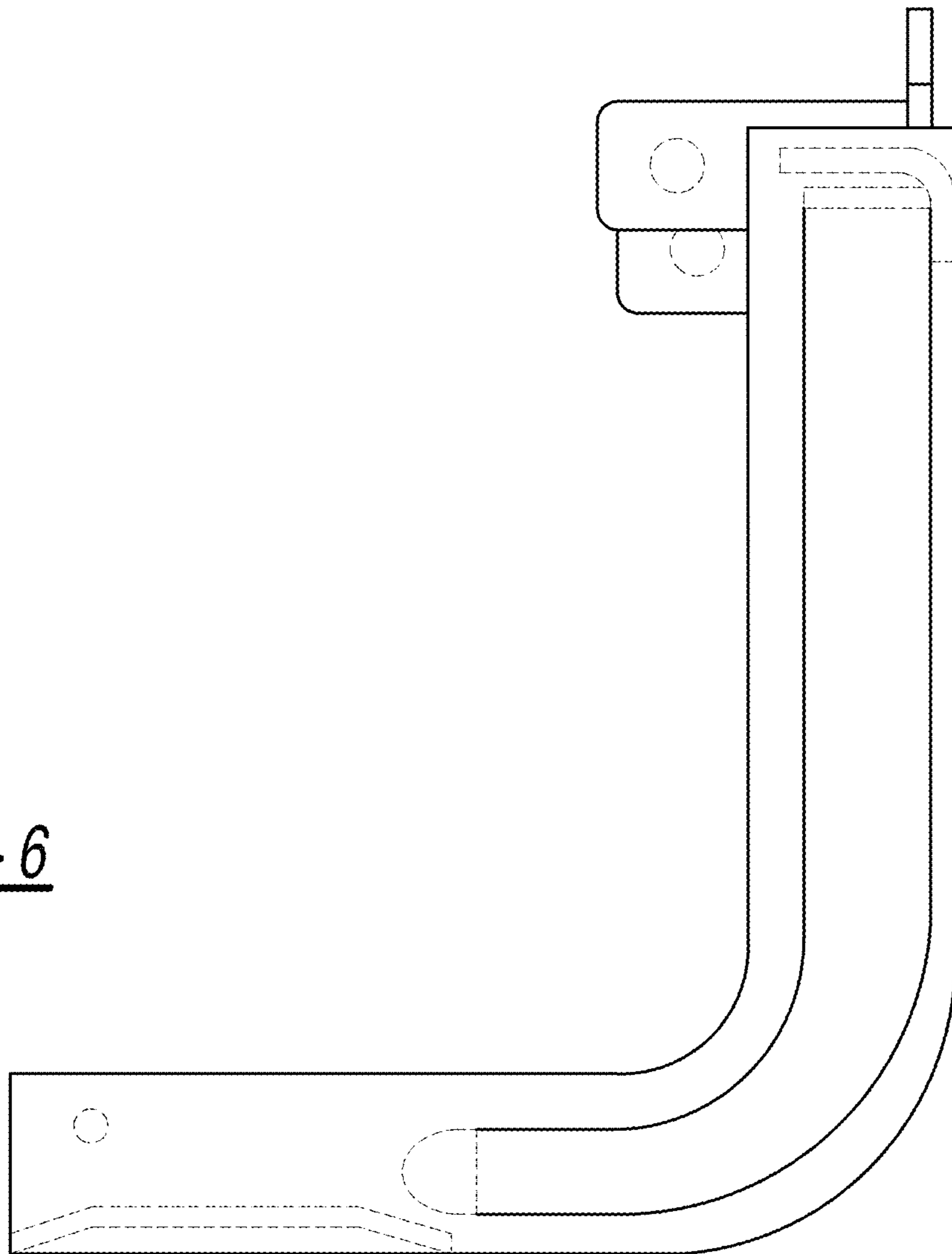


FIG - 5

FIG - 6



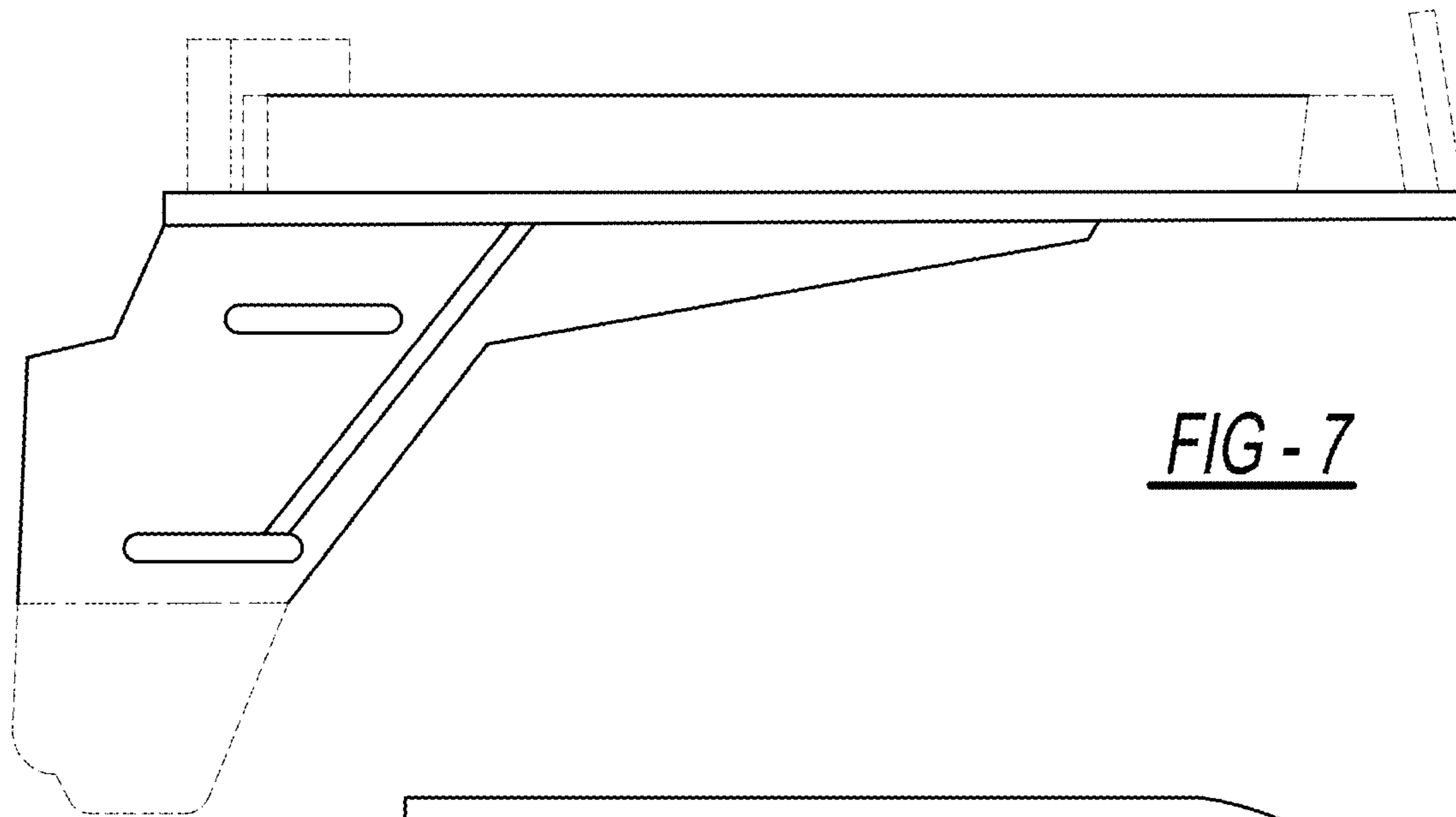


FIG - 7

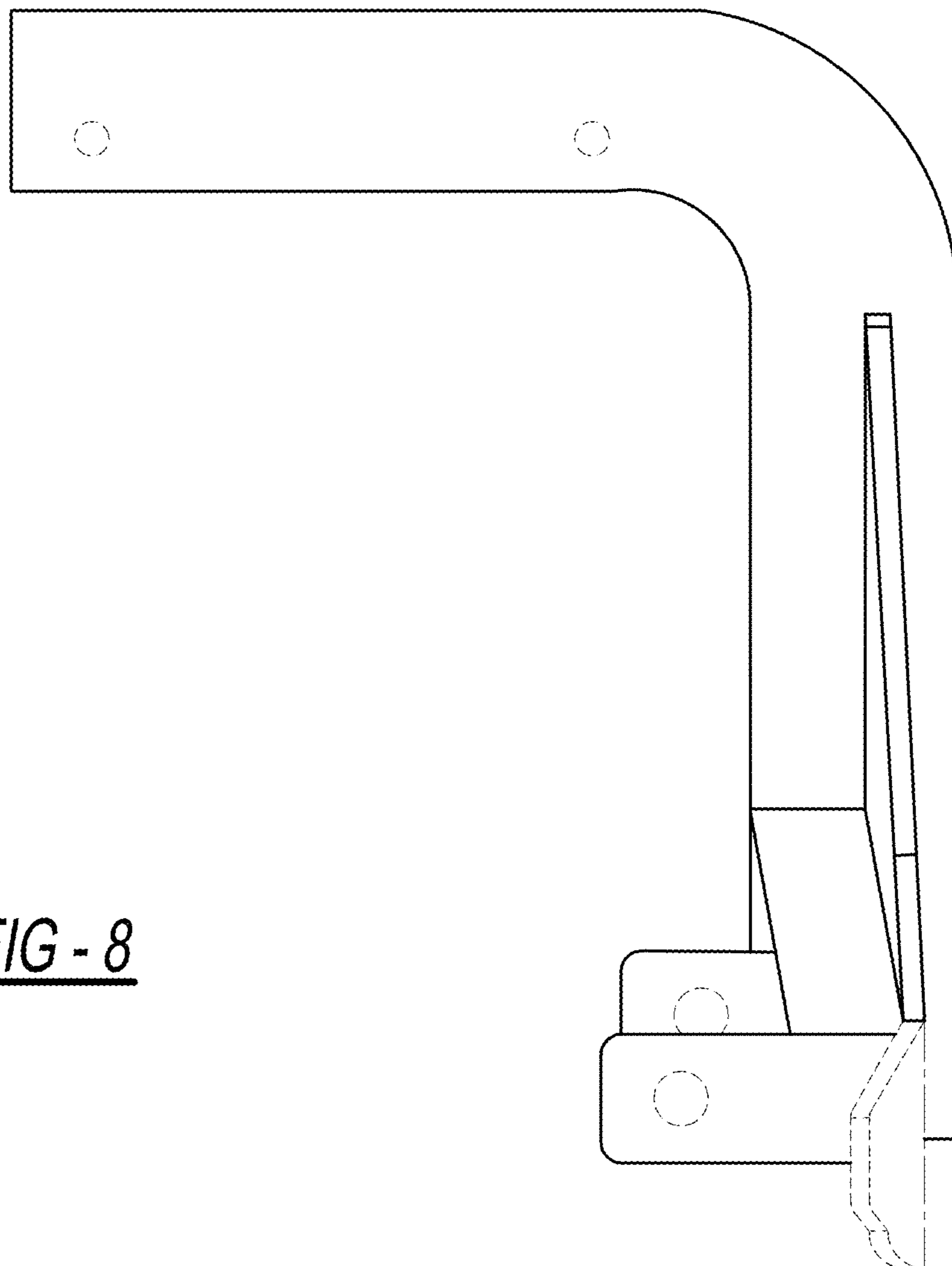


FIG - 8