



US00D886021S

(12) **United States Design Patent**
Khachatryan

(10) **Patent No.:** **US D886,021 S**
(45) **Date of Patent:** **** Jun. 2, 2020**

(54) **VEHICLE WHEEL, TOY VEHICLE WHEEL,
AND/OR REPLICAS THEREOF**

(71) Applicant: **Bayerische Motoren Werke
Aktiengesellschaft, Munich (DE)**

(72) Inventor: **David Khachatryan, Munich (DE)**

(73) Assignee: **Bayerische Motoren Werke
Aktiengesellschaft, Munich (DE)**

(**) Term: **15 Years**

(21) Appl. No.: **29/686,394**

(22) Filed: **Apr. 4, 2019**

(30) **Foreign Application Priority Data**

Oct. 11, 2018 (DE) 40 2018 101 023

(51) **LOC (12) Cl.** **12-16**

(52) **U.S. Cl.**
USPC **D12/209; D21/563**

(58) **Field of Classification Search**
USPC D12/204-213; D21/563
CPC B60B 7/00; B60B 7/02; B60B 7/04; B60B
7/01; B60B 7/06; B60B 3/02; B60B 3/04;
B60B 3/06; B60B 3/10; B60B 1/00;
B60B 1/08; B60B 1/10; B60B 1/12
See application file for complete search history.

(56) **References Cited**

U.S. PATENT DOCUMENTS

D661,239 S	*	6/2012	Pollmann	D12/209
D748,560 S	*	2/2016	Simm	D12/211
D800,629 S	*	10/2017	Tran	D12/209
D803,751 S	*	11/2017	Chung	D12/209
D823,216 S	*	7/2018	Chung	D12/209
D823,225 S	*	7/2018	Chung	D12/211
D823,768 S	*	7/2018	Chung	D12/209
D823,774 S		7/2018	Groth		

D825,423 S	*	8/2018	Henderson	D12/209
D826,819 S	*	8/2018	Chung	D12/209
D832,175 S	*	10/2018	Chung	D12/209
D836,527 S		12/2018	Groth		
D837,710 S	*	1/2019	Chung	D12/209
D842,189 S	*	3/2019	Han	D12/209
D842,792 S	*	3/2019	Han	D12/209
D847,067 S		4/2019	Groth		
D860,914 S	*	9/2019	Han	D12/211

FOREIGN PATENT DOCUMENTS

EM	000090410-0005	3/2004
EM	001036552-0004	11/2009
WO	WO DM/053621	12/2000
WO	WO DM/058758	3/2002

* cited by examiner

Primary Examiner — Stacia A Cadmus

(74) *Attorney, Agent, or Firm* — Crowell & Moring LLP

(57) **CLAIM**

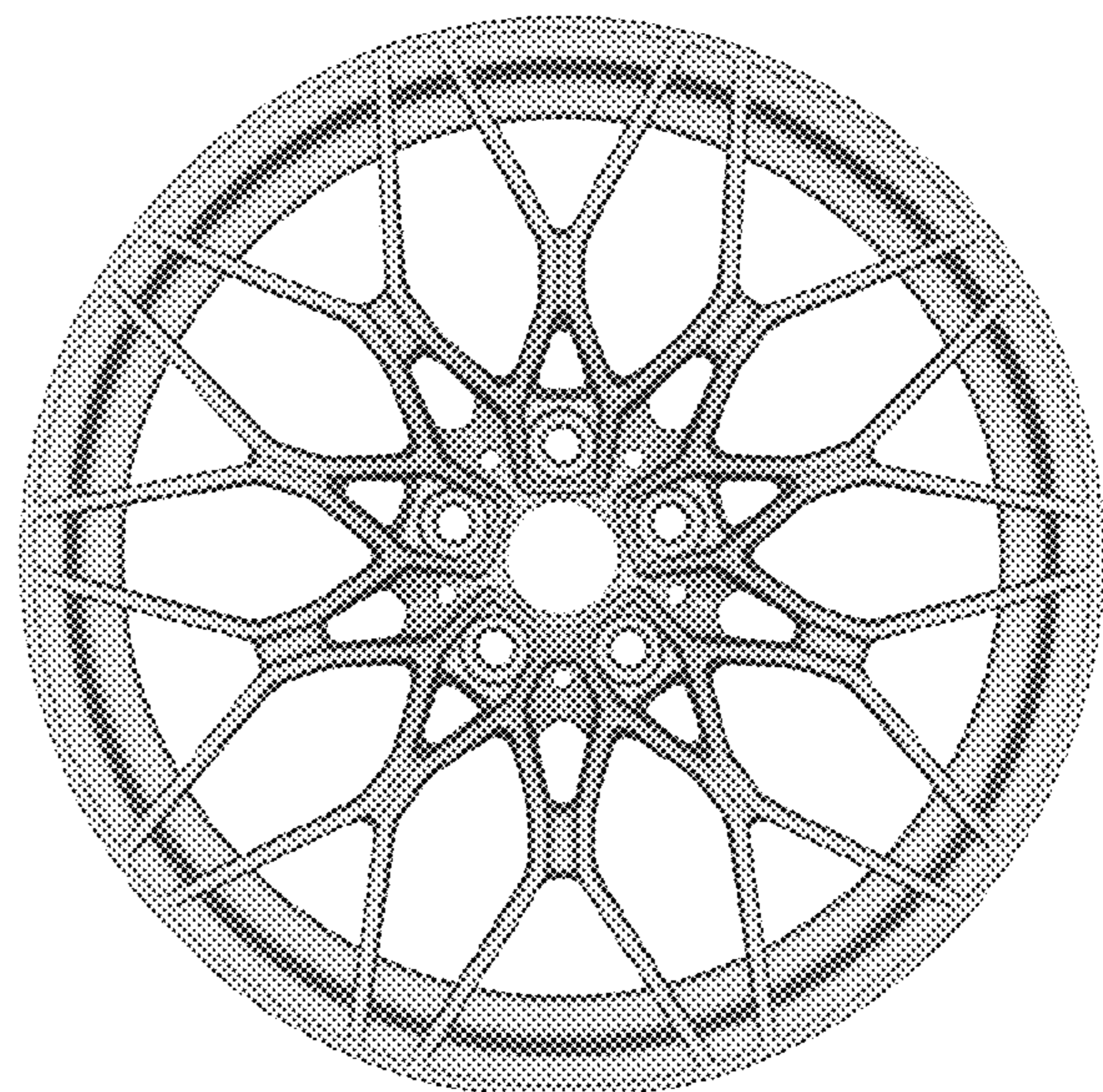
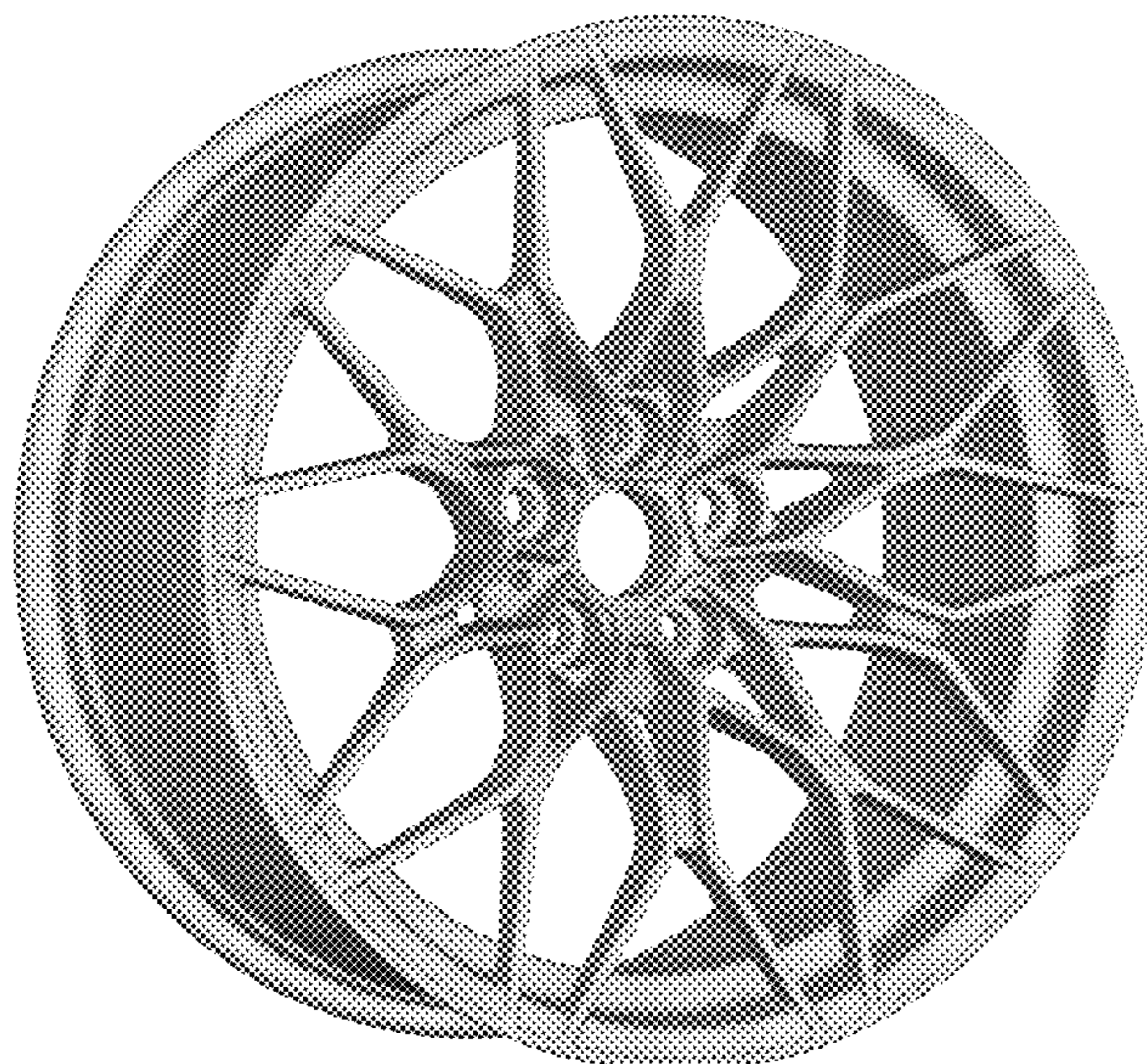
The ornamental design for a vehicle wheel, toy vehicle wheel, and/or replicas thereof, as shown and described.

DESCRIPTION

This application contains subject matter related to the following co-pending U.S. design patent application: Application Ser. No. 29/639,820, filed Mar. 9, 2018 and entitled "Vehicle Wheel, Toy Vehicle Wheel, and/or Replicas Thereof."

FIG. 1 is a perspective view of a vehicle wheel, toy vehicle wheel, and/or replicas thereof according to the design; FIG. 2 is an additional perspective view thereof; FIG. 3 is an additional perspective view thereof; FIG. 4 is a front view thereof; FIG. 5 is a rear view thereof in a lighter gray scale, representing environmental features that form no part of the claimed design; and, FIG. 6 is a side view thereof.

1 Claim, 6 Drawing Sheets



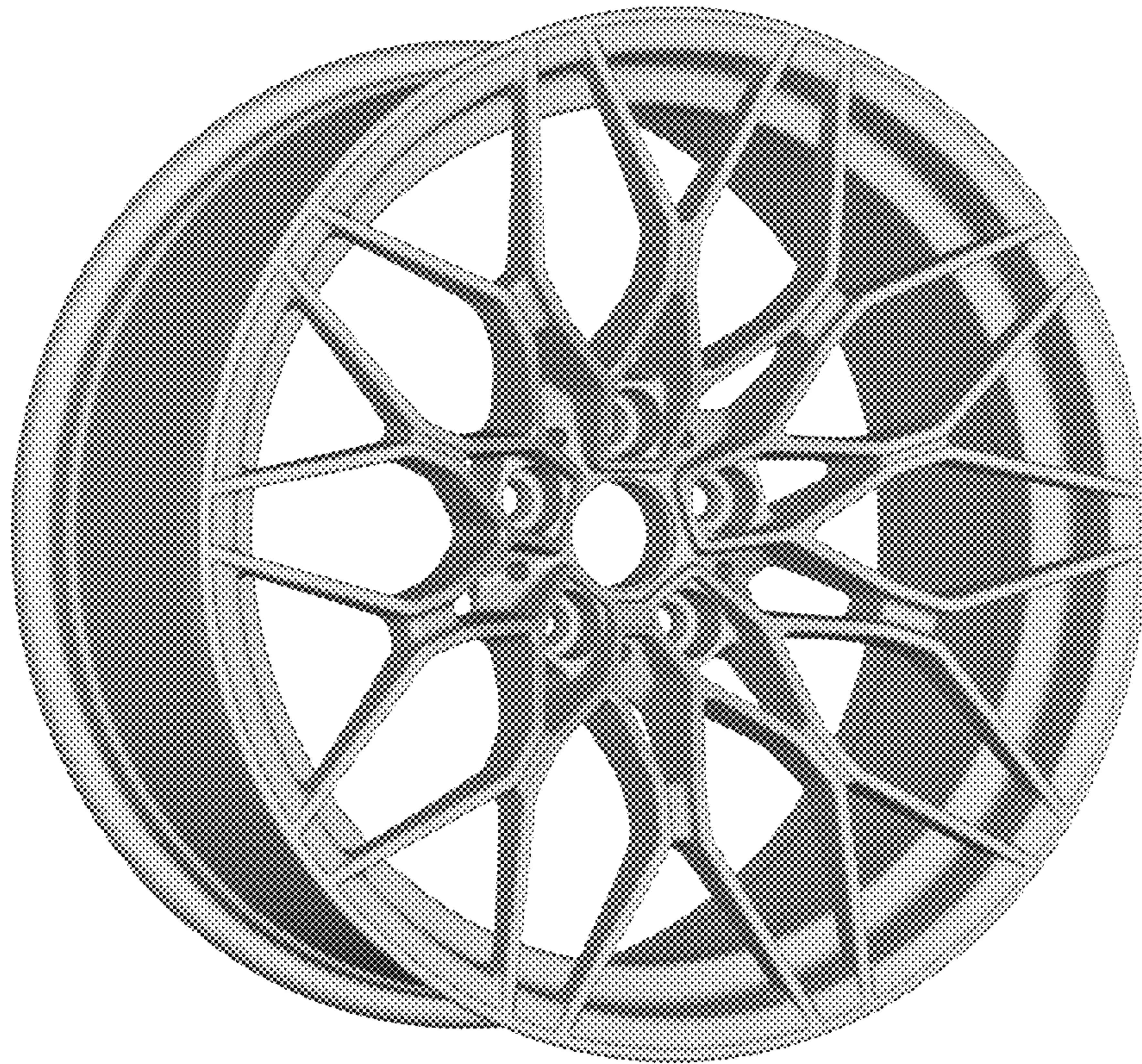


Fig. 1



Fig. 2



Fig. 3

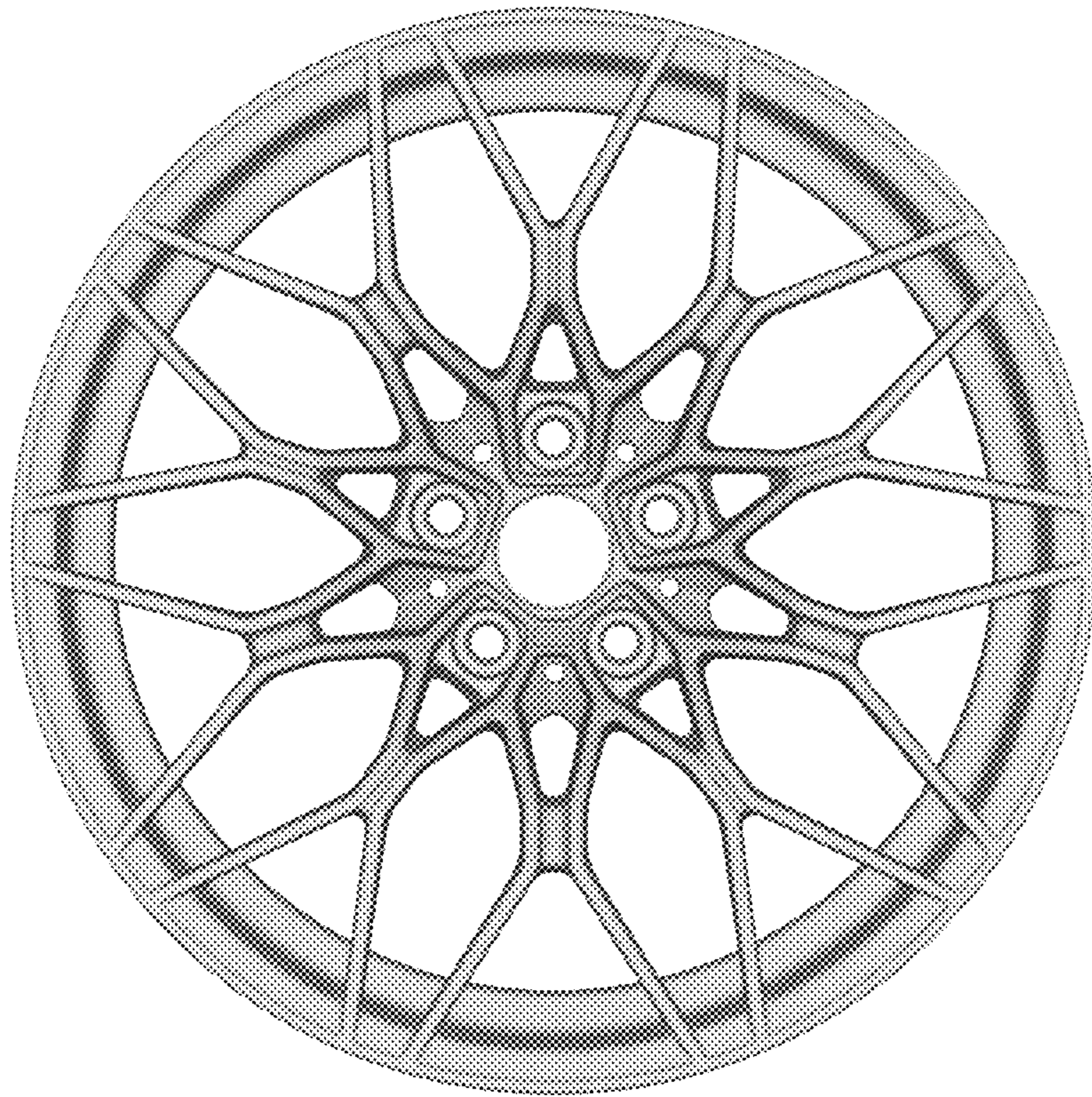


Fig. 4

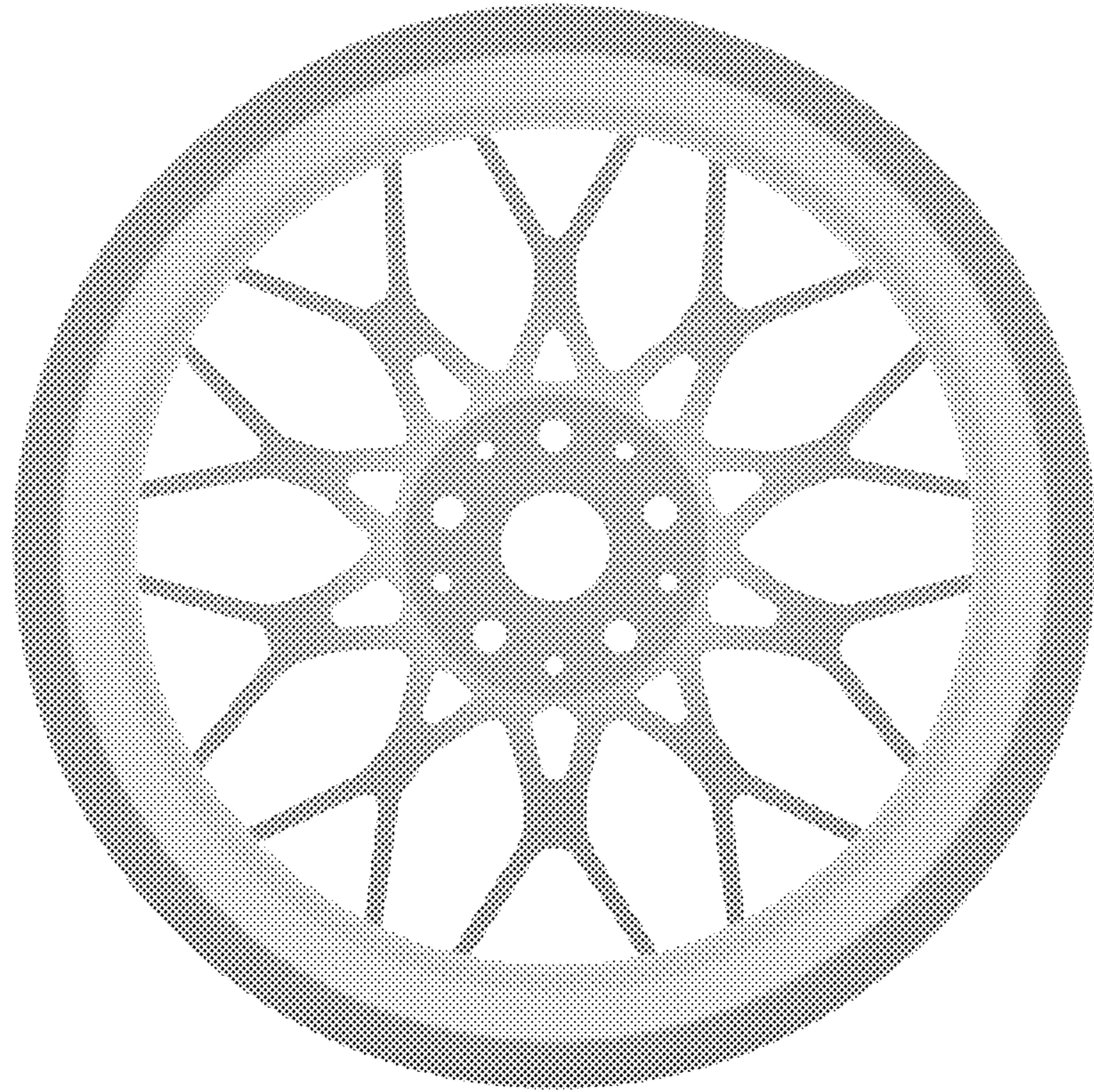


Fig. 5



Fig. 6