



US00D886018S

(12) **United States Design Patent**
Sallada

(10) **Patent No.:** **US D886,018 S**
(45) **Date of Patent:** **** Jun. 2, 2020**

- (54) **EXTRUSION FOR A TRUCK**
- (71) Applicant: **Vengeant, LLC**, Annville, PA (US)
- (72) Inventor: **Mark Sallada**, Annville, PA (US)
- (73) Assignee: **Vengeant, LLC**, Annville, PA (US)
- (**) Term: **15 Years**
- (21) Appl. No.: **29/723,681**
- (22) Filed: **Feb. 10, 2020**
- (51) **LOC (12) Cl.** **12-16**
- (52) **U.S. Cl.**
USPC **D12/190**
- (58) **Field of Classification Search**
USPC D12/190, 106, 192, 400, 90-92, 199,
D12/197, 86, 171, 169, 163, 110, 114;
D11/211, 81, 157, 133, 172; D20/11,
D20/22-25, 30-32
CPC B60J 10/02; B60J 10/35
See application file for complete search history.

- D746,745 S * 1/2016 Schoonover D12/190
- D746,746 S * 1/2016 Schlater D12/190
- D761,175 S * 7/2016 Stoynov D12/190
- 10,343,582 B2 7/2019 Nespor
- D856,434 S * 8/2019 Wood D21/561
- D856,435 S * 8/2019 Wood D21/561
- D857,807 S * 8/2019 Wood D21/561
- D872,001 S 1/2020 Keen
- D872,677 S 1/2020 Keen
- 2016/0207438 A1 * 7/2016 Ksiezopolski B60P 3/34
- 2017/0049944 A1 * 2/2017 Kinoshita F04D 29/126

* cited by examiner

Primary Examiner — Katrina A Betton

(57) **CLAIM**

The ornamental design for an extrusion for a truck, as shown and described.

DESCRIPTION

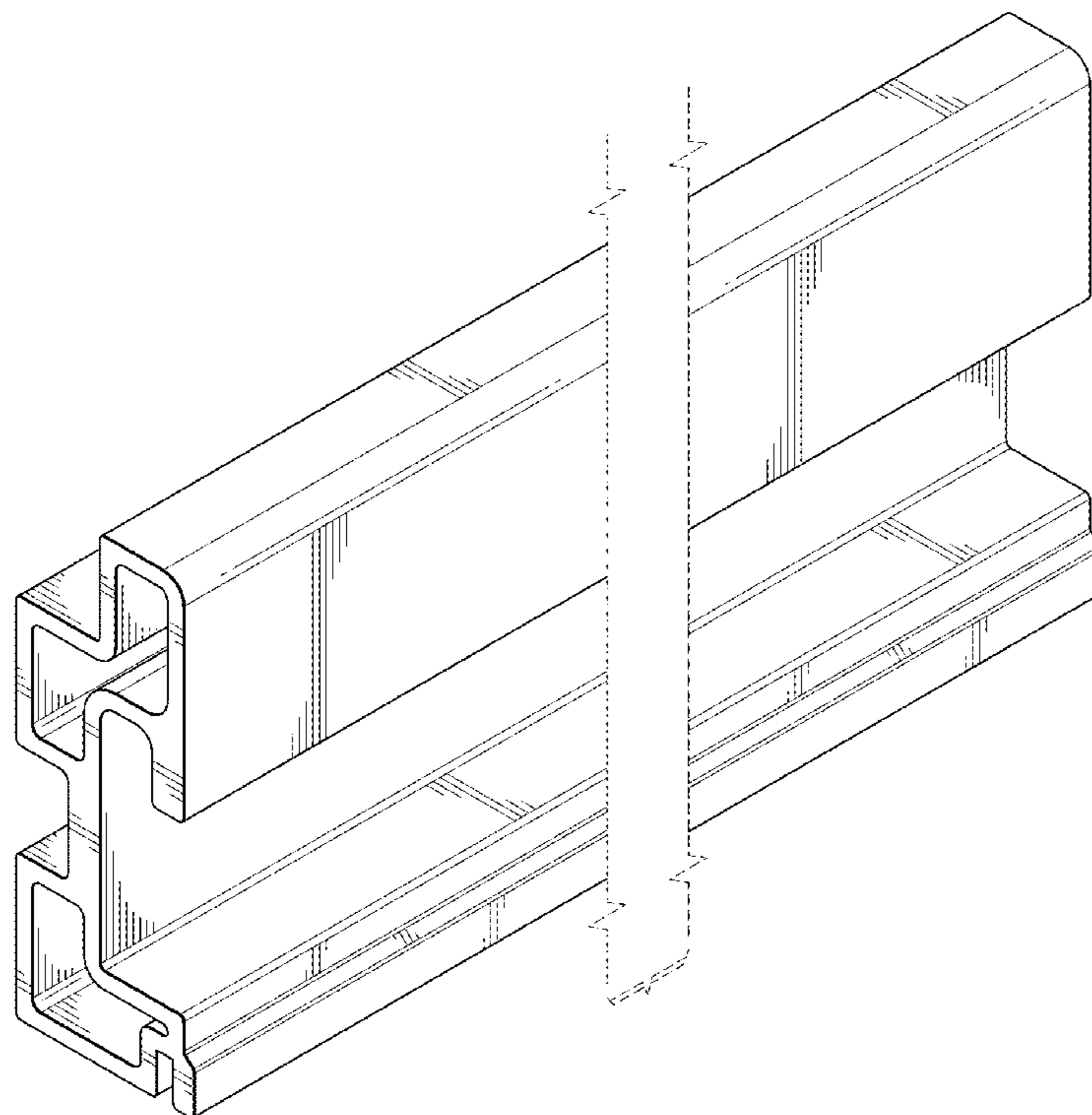
FIG. 1 is a front perspective view of an extrusion for a truck showing my new design;
 FIG. 2 is a front view thereof;
 FIG. 3 is a back view thereof;
 FIG. 4 is a right side view thereof;
 FIG. 5 is a left side view thereof;
 FIG. 6 is a top view thereof;
 FIG. 7 is a bottom view thereof; and,
 FIG. 8 is a perspective view of my new design with environmental structure shown in broken lines.
 The broken lines included illustrate portions of the extrusion for a truck that form no part of the claimed design.
 The broken lines in FIG. 8 illustrate environmental structure that forms no part of the claimed design.

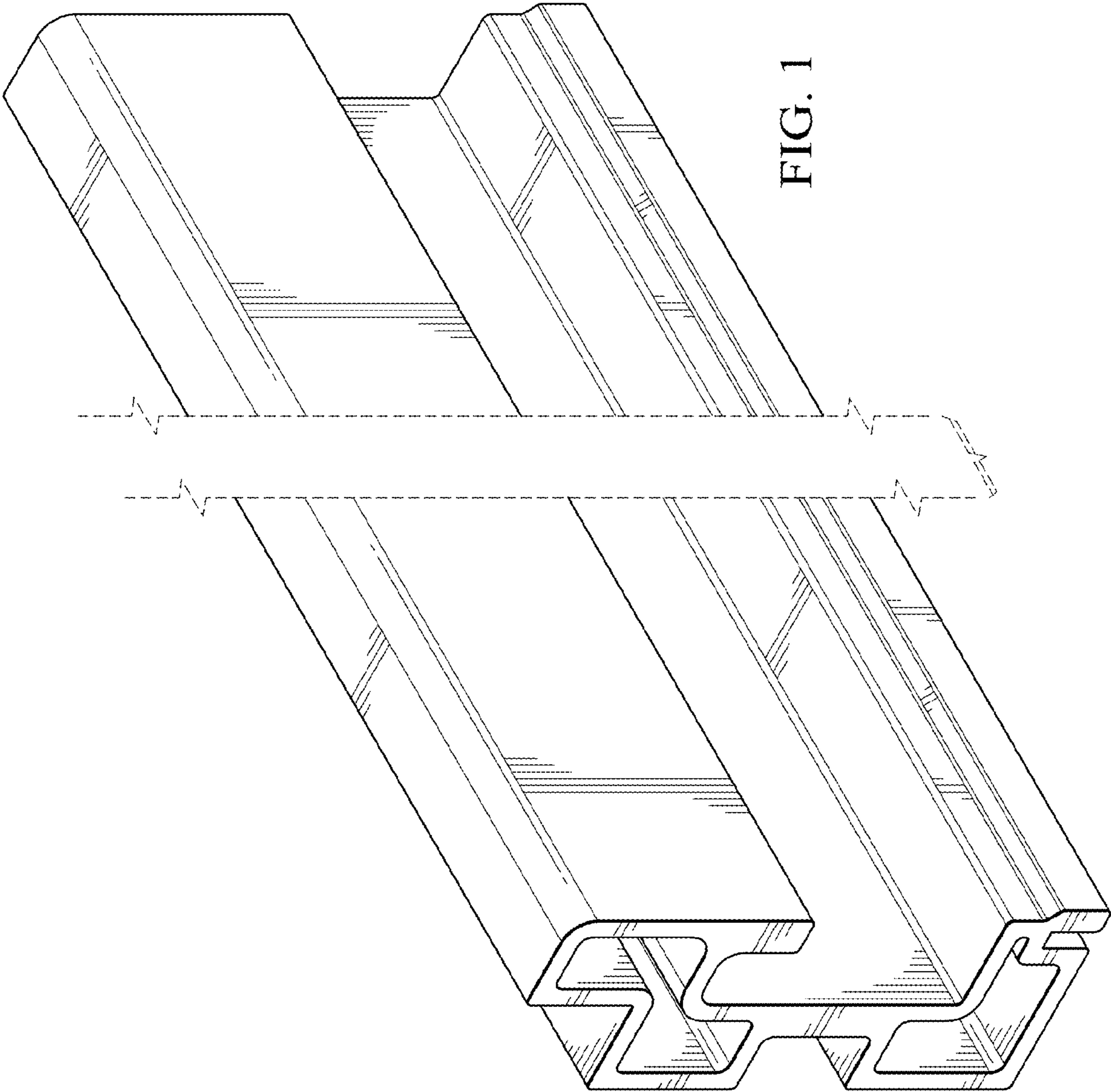
1 Claim, 6 Drawing Sheets

(56) **References Cited**

U.S. PATENT DOCUMENTS

- D368,887 S 4/1996 Upshaw
- D370,284 S * 5/1996 Farchione D12/114
- 6,109,684 A 8/2000 Reitnouer
- 6,536,824 B2 3/2003 Anderson
- 6,893,076 B1 5/2005 Lewis
- D575,201 S * 8/2008 Stahel, Jr. D12/114
- D709,420 S * 7/2014 Watkins D12/190
- 8,888,135 B1 11/2014 Reitnouer
- D746,202 S * 12/2015 Schlater D12/190





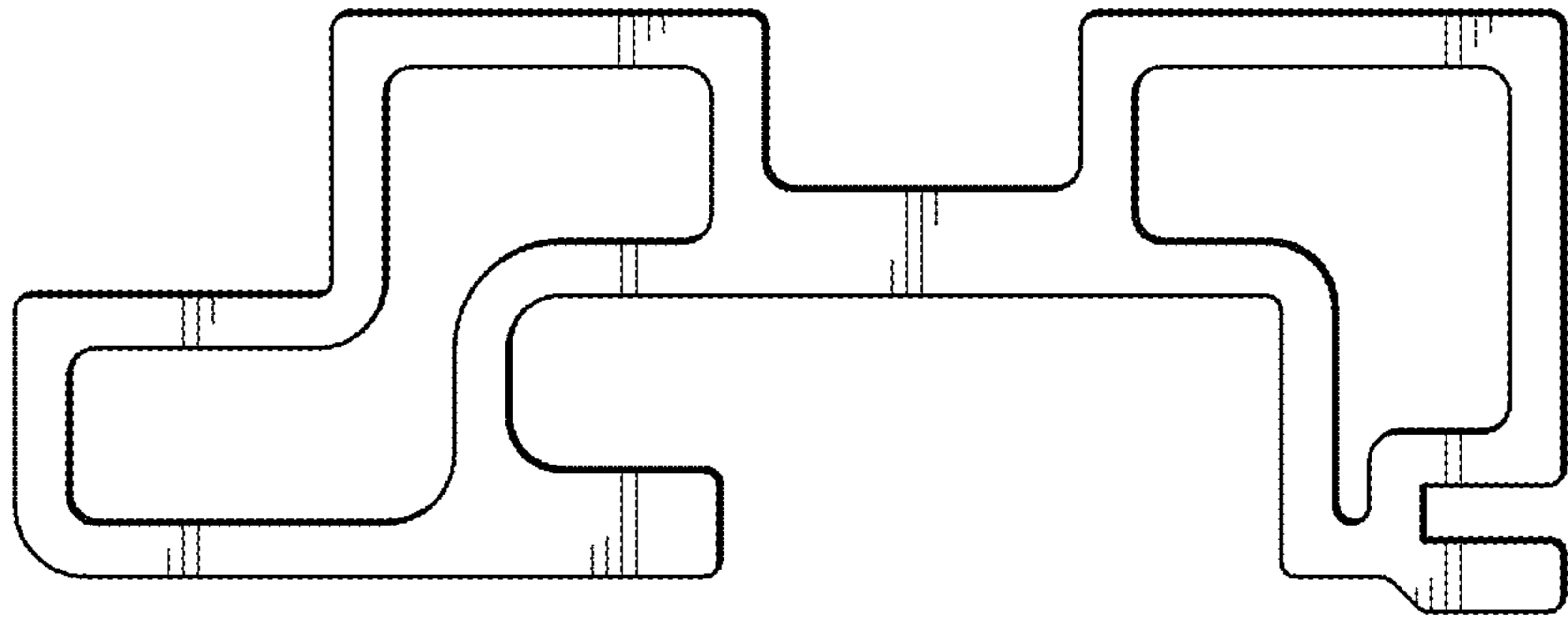


FIG. 3

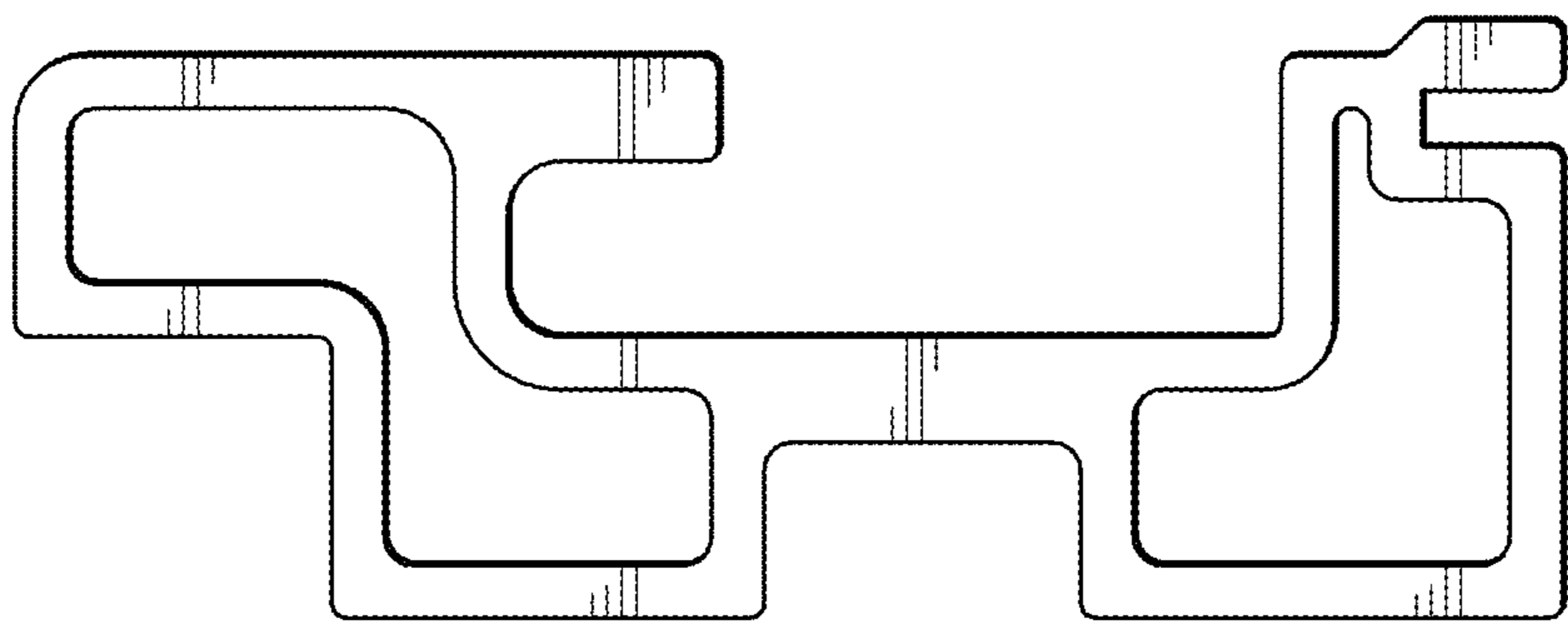
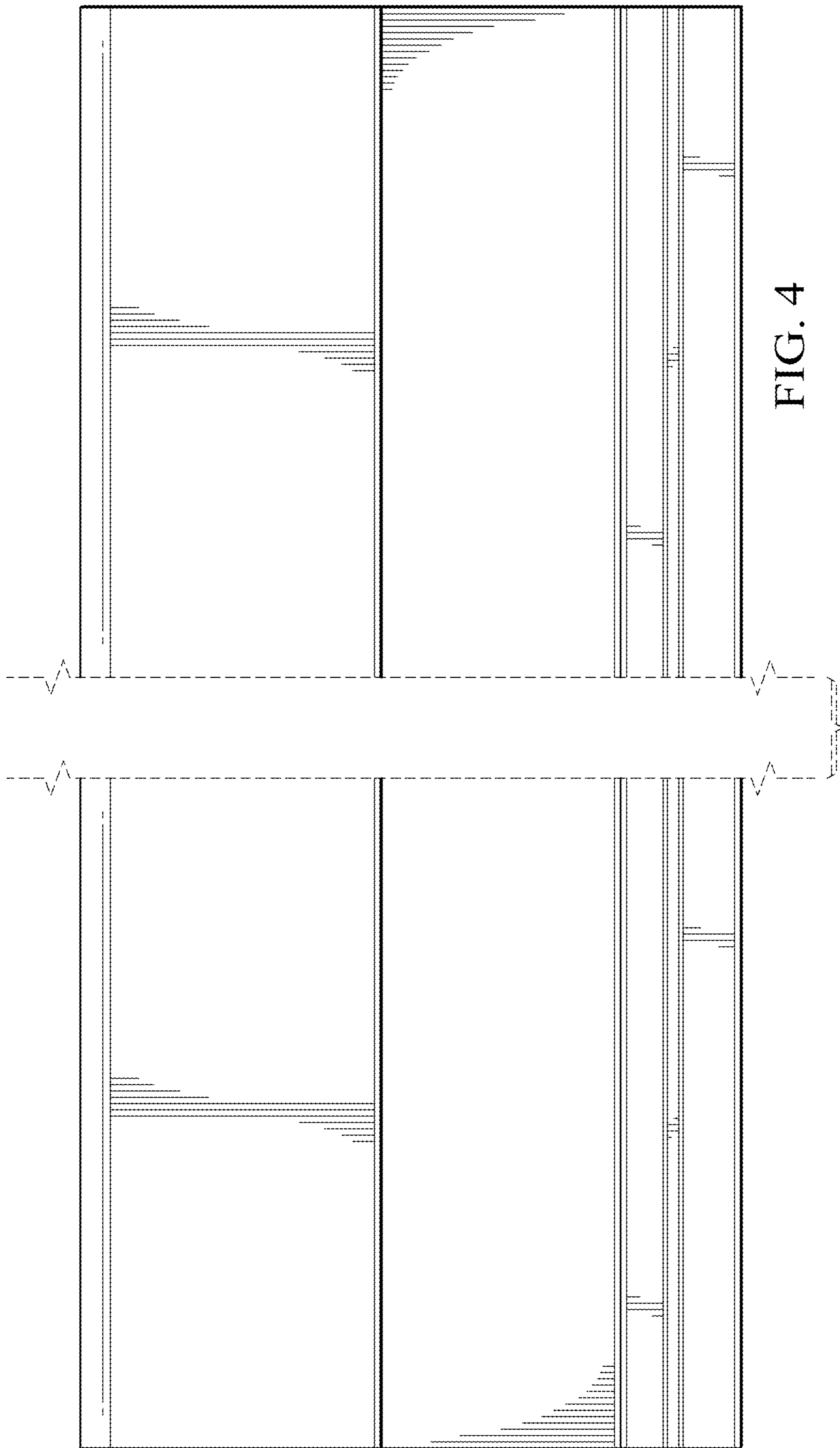
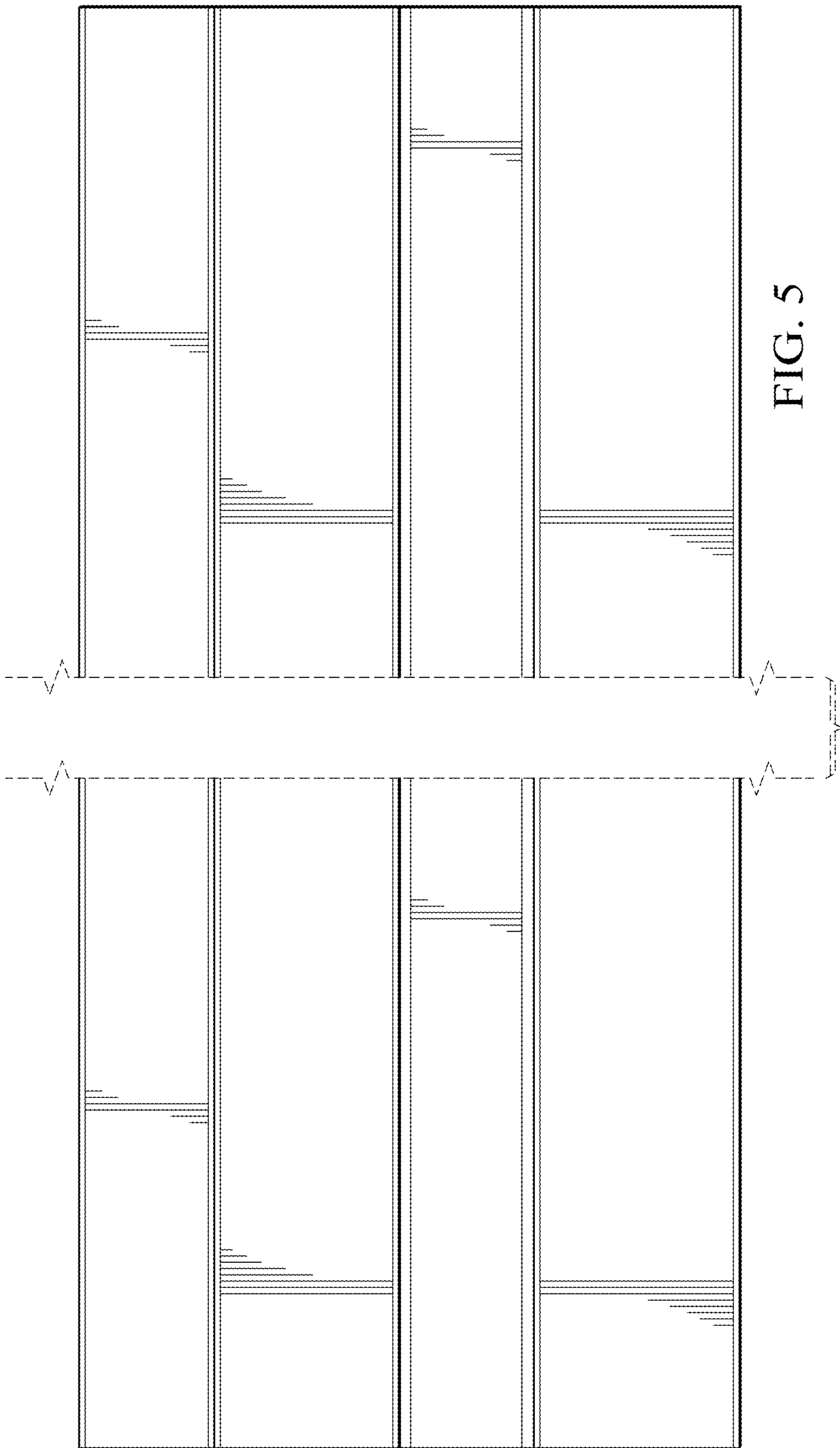


FIG. 2





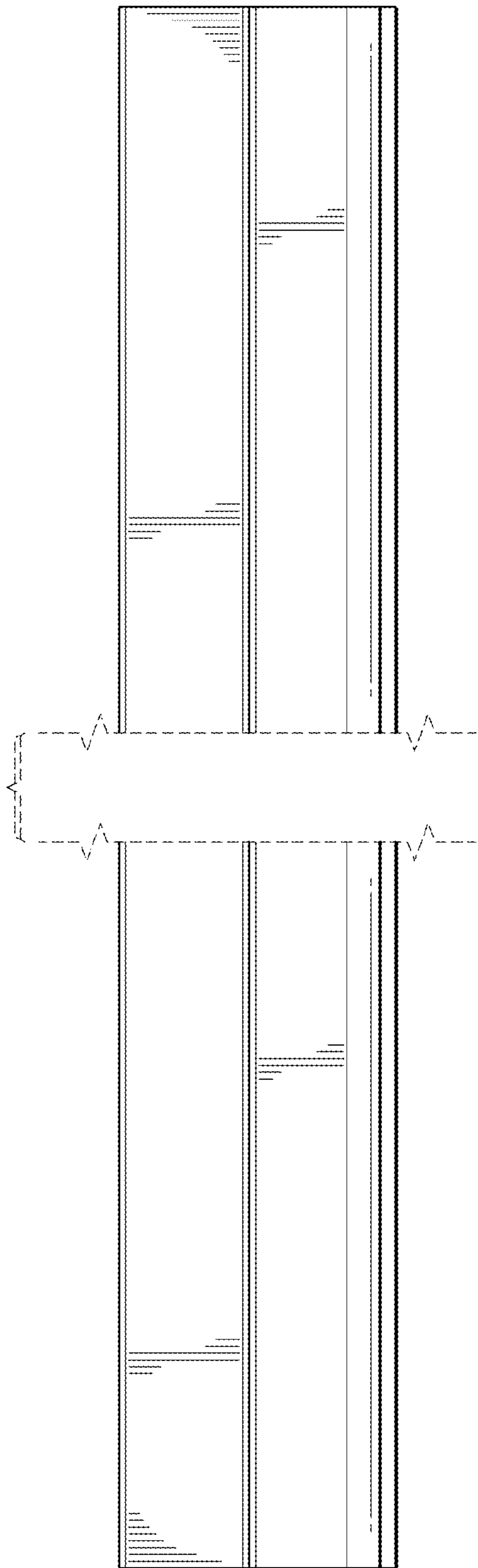


FIG. 6

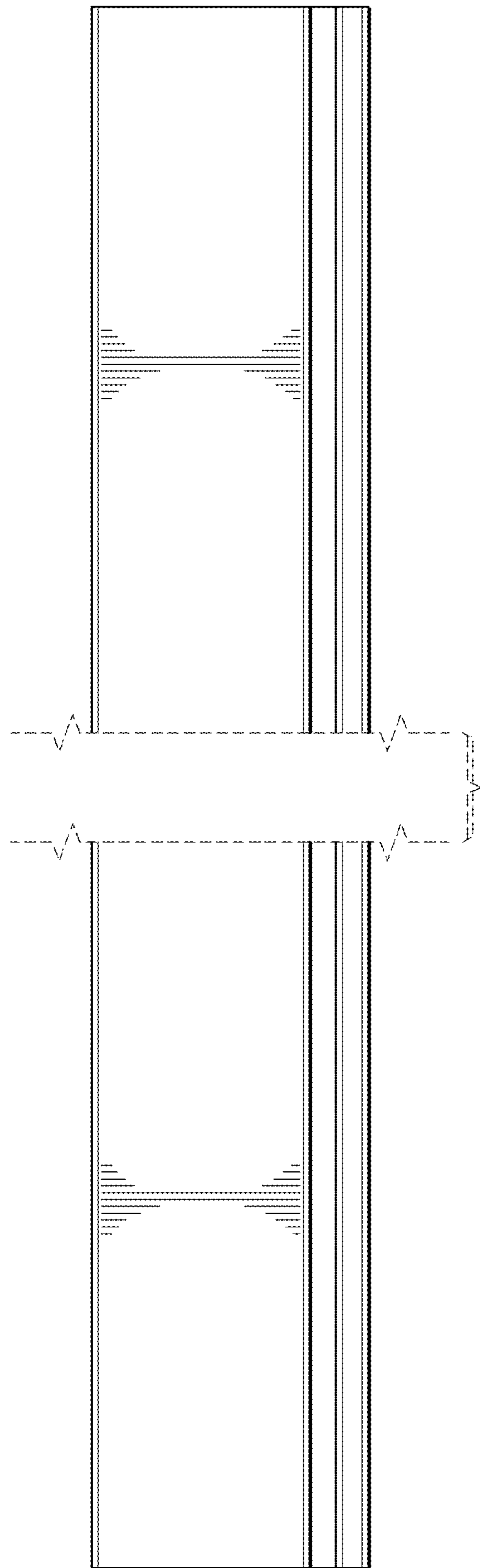


FIG. 7

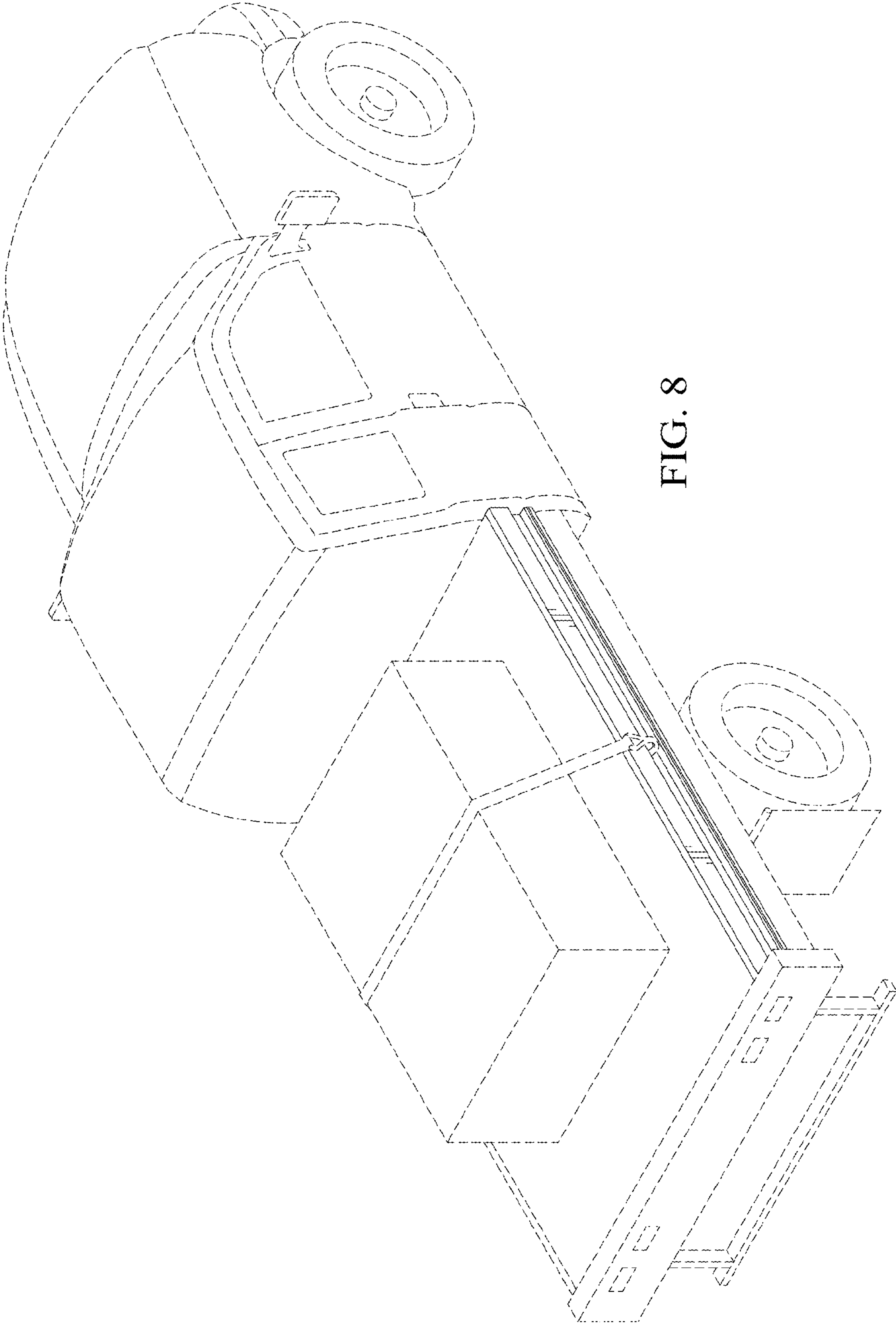


FIG. 8