



US00D886014S

(12) **United States Design Patent**
Zeng

(10) **Patent No.:** **US D886,014 S**

(45) **Date of Patent:** **** Jun. 2, 2020**

(54) **SUNSHADE DEVICE FOR CAR FRONT ROOF**

D372,009 S * 7/1996 Rocheford D12/183
D756,868 S * 5/2016 Shu D12/183
D828,253 S * 9/2018 Mao D12/183

(71) Applicant: **Yao-Zong Zeng**, Shenzhen (CN)

* cited by examiner

(72) Inventor: **Yao-Zong Zeng**, Shenzhen (CN)

Primary Examiner — Abraham Bahta

(**) Term: **15 Years**

(74) *Attorney, Agent, or Firm* — ScienBiziP, P.C.

(21) Appl. No.: **29/674,875**

(57) **CLAIM**

(22) Filed: **Dec. 27, 2018**

The ornamental design for sunshade device for car front roof, as shown and described.

(51) **LOC (12) Cl.** **12-16**

DESCRIPTION

(52) **U.S. Cl.**

USPC **D12/183**

(58) **Field of Classification Search**

USPC D12/174, 180–184, 191, 400, 401, 417

CPC A47K 7/026; A47L 11/284; B60J 1/20;

B60J 1/2002; B60J 1/2005; B60J 1/2008;

B60J 1/2011; B60J 3/02; B60J 3/0204;

B60J 3/0208

See application file for complete search history.

FIG. 1 is a first perspective view of sunshade device for car front roof showing the claimed new design; FIG. 2 is a second perspective view thereof; FIG. 3 is a front elevation view thereof; FIG. 4 is a rear elevation view thereof. FIG. 5 is a left side elevation view thereof; FIG. 6 is a right side elevation view thereof; FIG. 7 is a top plan view thereof; and, FIG. 8 is a bottom plan view thereof.

The broken lines are for environmental structure, boundaries, or illustrative purposes only and form no part of the claimed designs to be patented.

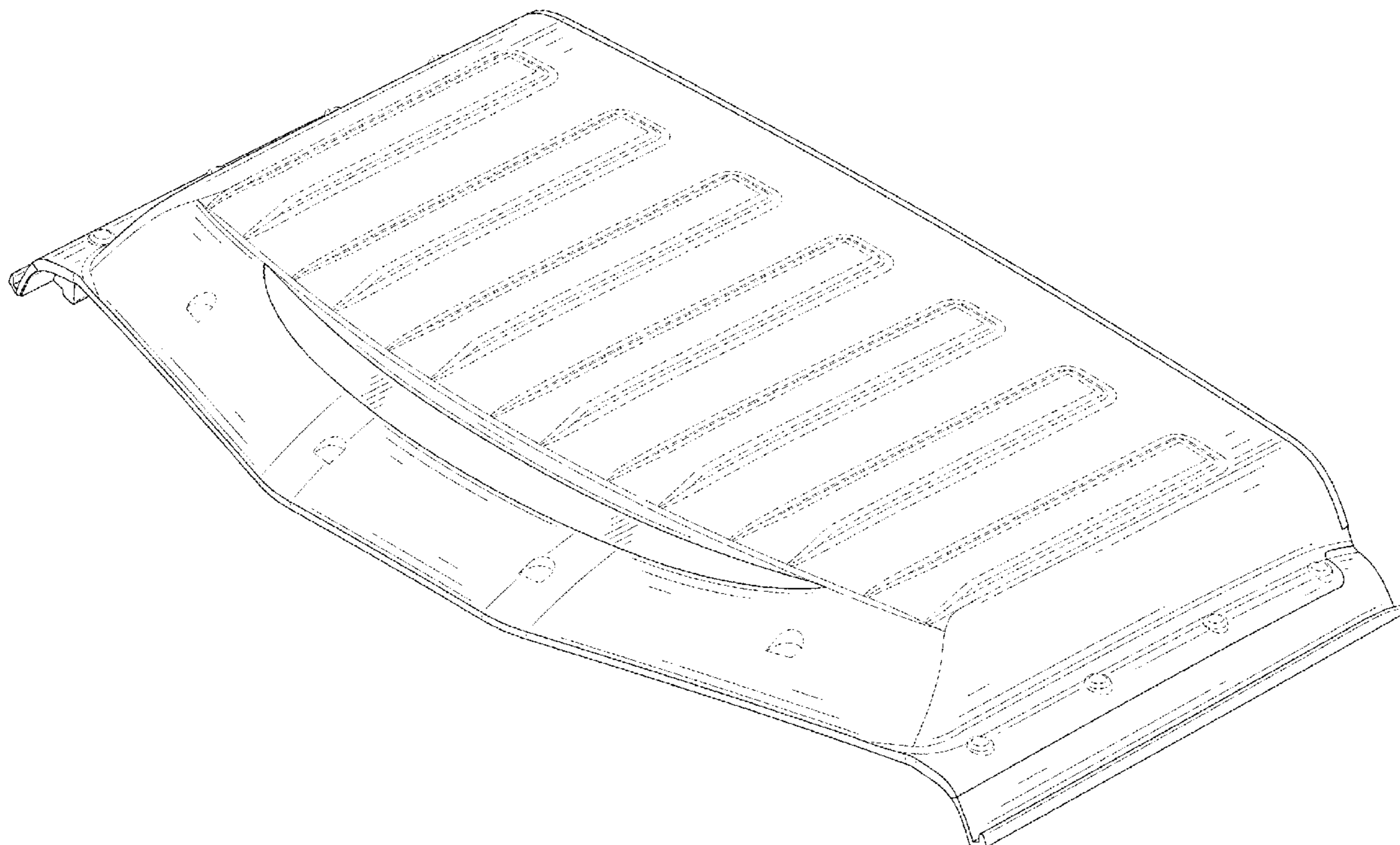
(56) **References Cited**

U.S. PATENT DOCUMENTS

D254,247 S * 2/1980 Le Van D12/183

D306,153 S * 2/1990 Haugestad D12/183

1 Claim, 8 Drawing Sheets



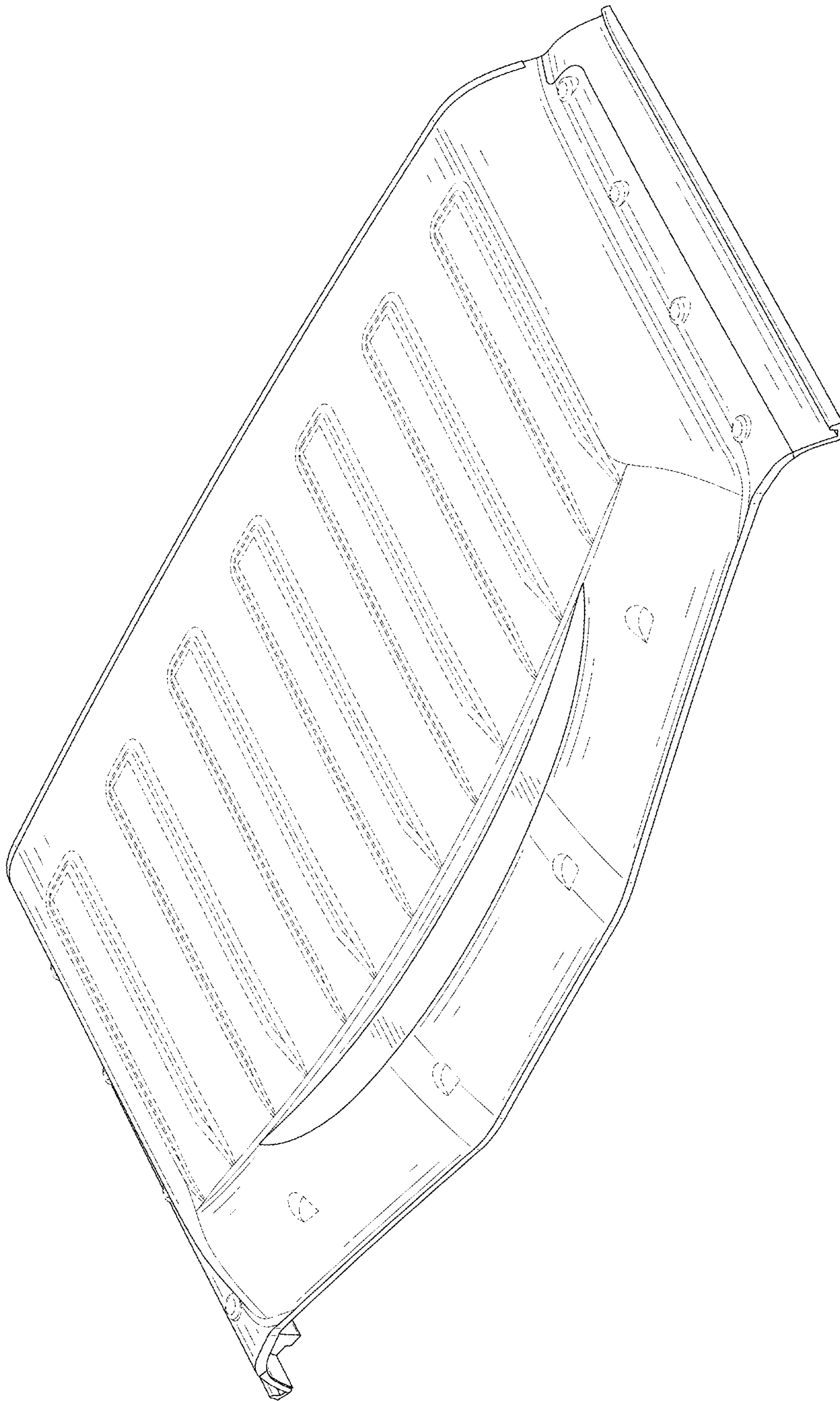


FIG. 1

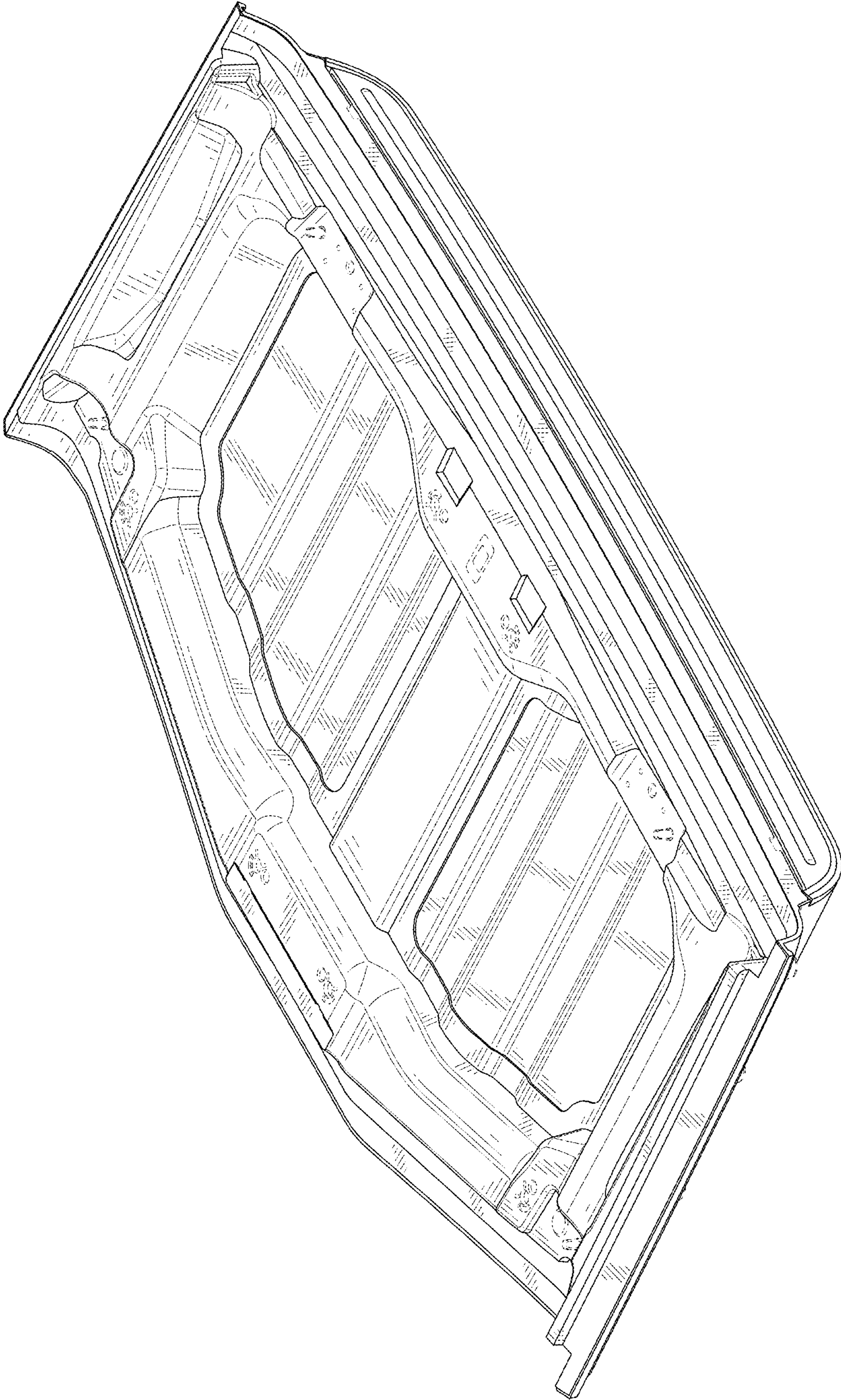


FIG. 2

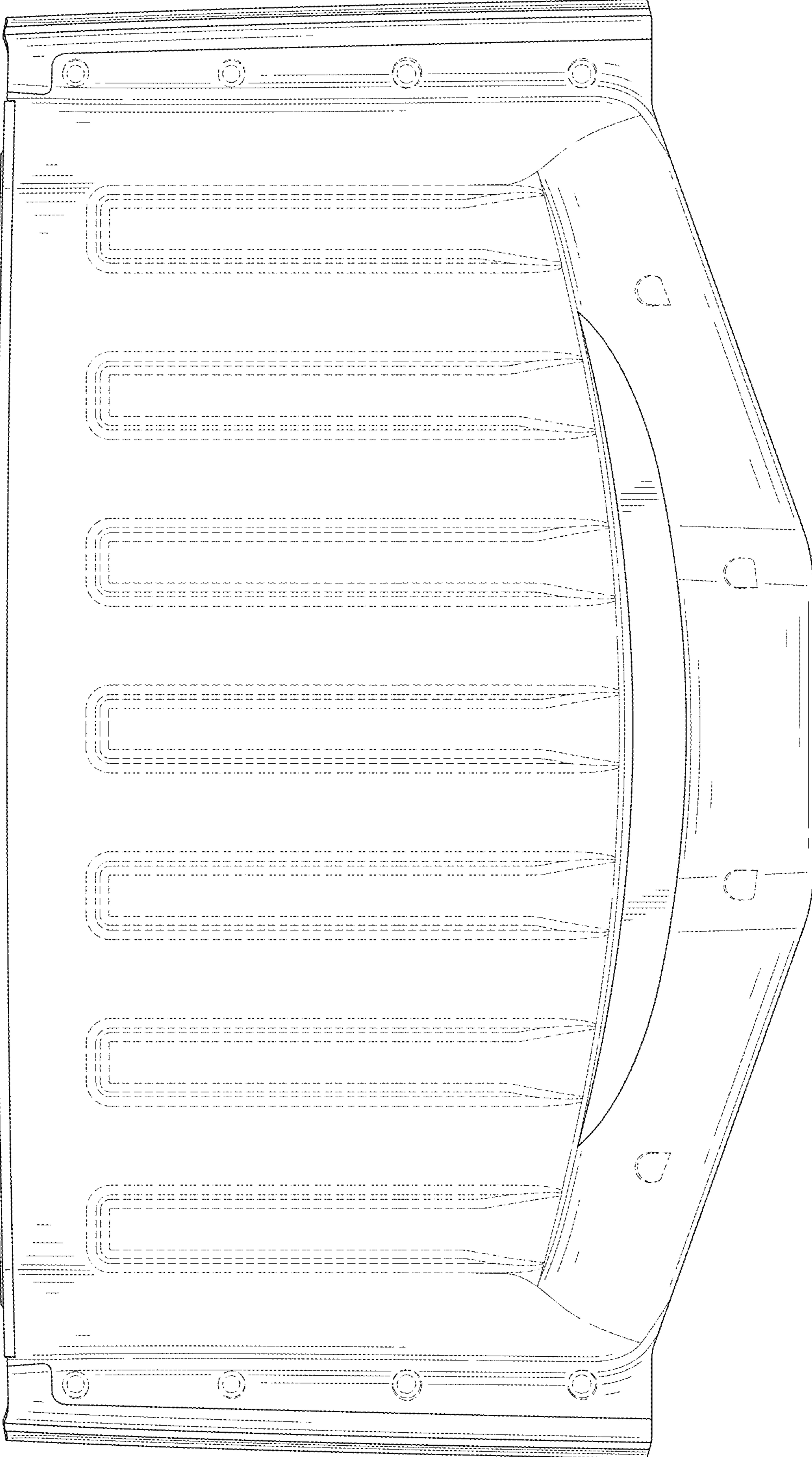


FIG. 3

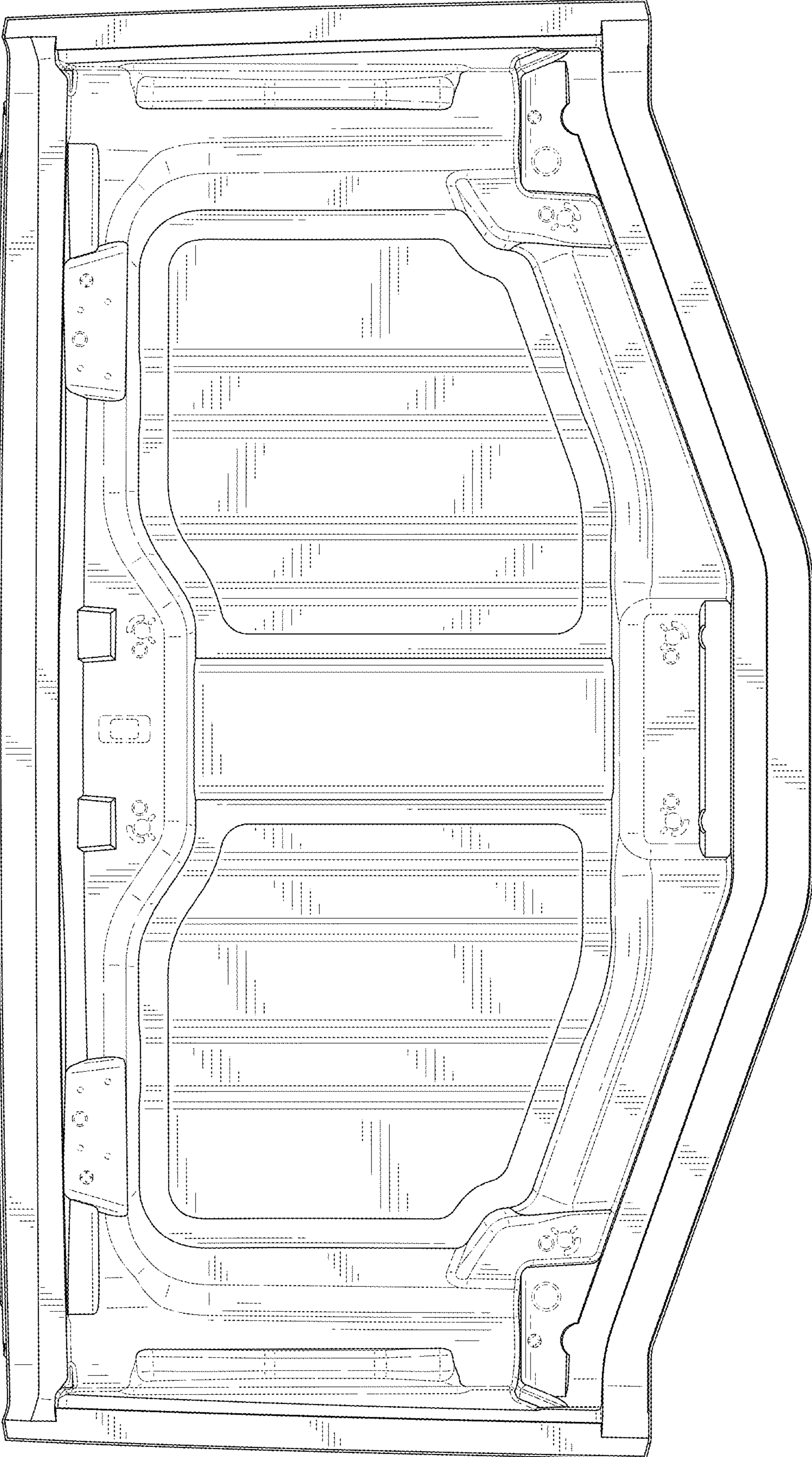


FIG. 4

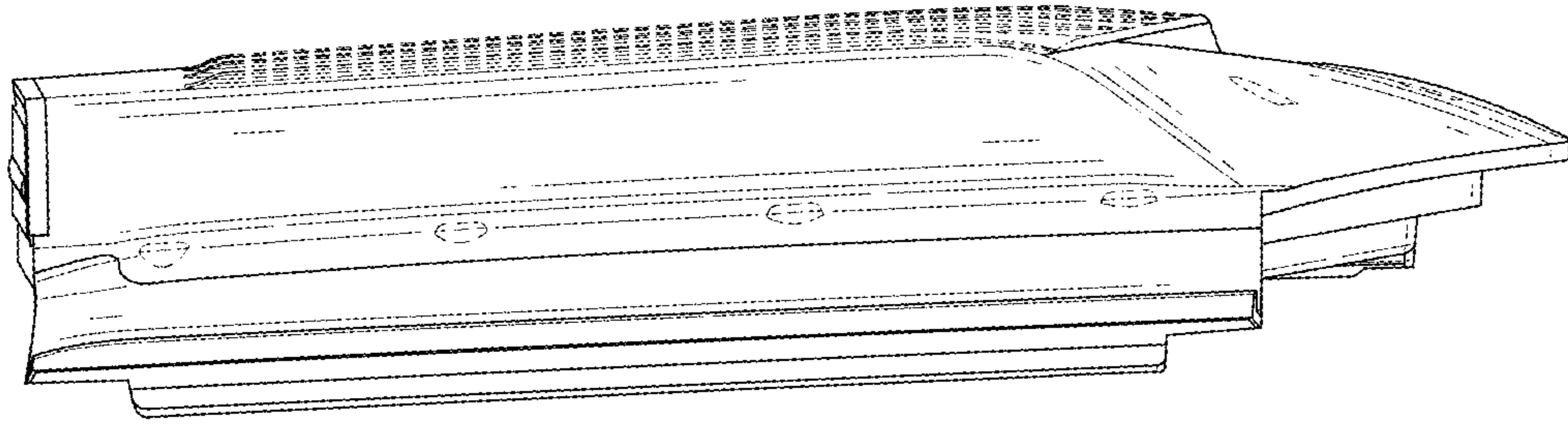


FIG. 5

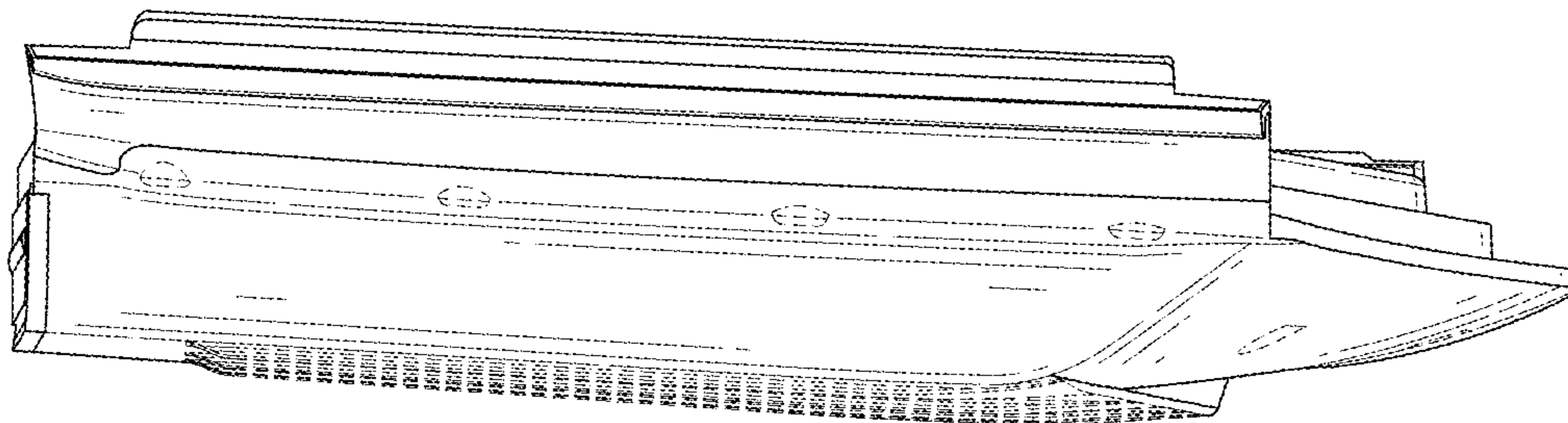


FIG. 6

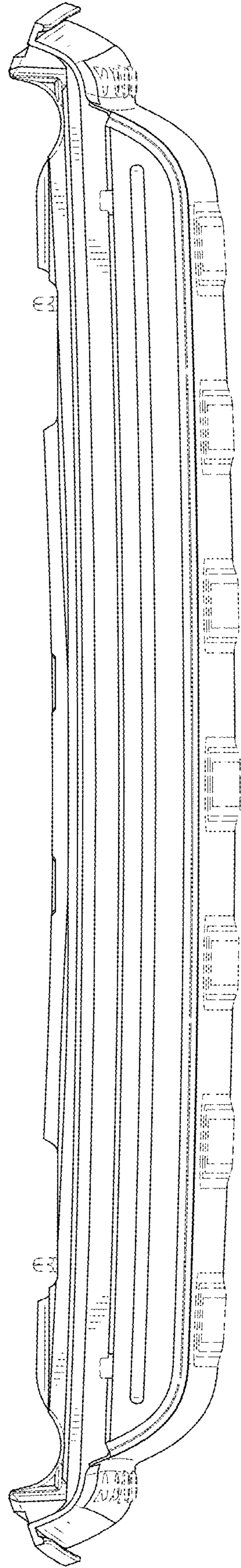


FIG. 7

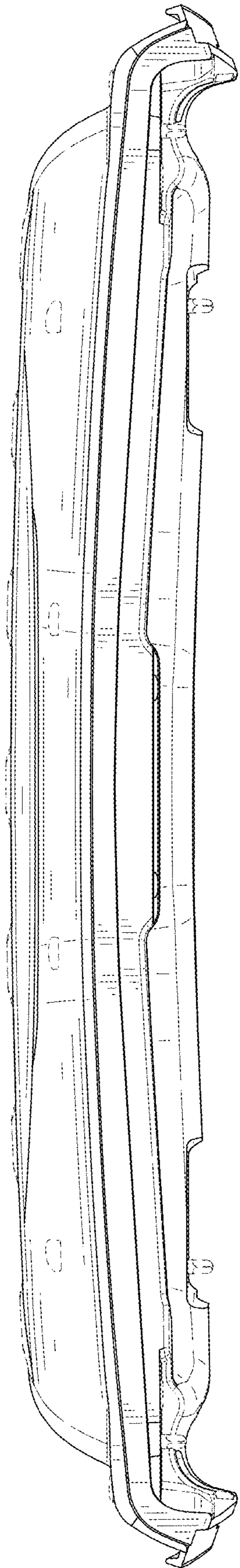


FIG. 8