



US00D886009S

(12) **United States Design Patent**  
**Lu**

(10) **Patent No.:** **US D886,009 S**  
(45) **Date of Patent:** **\*\* Jun. 2, 2020**

(54) **HANDLEBAR**  
(71) Applicant: **ZHEJIANG OKAI VEHICLE CO., LTD.**, Lishui (CN)  
(72) Inventor: **Jiangtao Lu**, Lishui (CN)  
(73) Assignee: **Zhejiang Okai Vehicle Co., Ltd.**, Lishui (CN)  
(\*\*) Term: **15 Years**

D372,893 S *	8/1996	Harris	.....	D12/178
D419,123 S *	1/2000	Okuda	.....	D12/114
D425,463 S *	5/2000	Clarkson	.....	D12/178
D429,198 S *	8/2000	Sueiro	.....	D12/178
D448,331 S *	9/2001	Solberg	.....	D12/178
D499,055 S *	11/2004	Chiang	.....	D12/178
D654,411 S *	2/2012	Alt	.....	D12/178
D691,527 S *	10/2013	Thorpe	.....	D12/178
D738,276 S *	9/2015	Arbour	.....	D12/178
D777,625 S *	1/2017	Chang	.....	D12/178
2012/0239248 A1 *	9/2012	Bobbitt	.....	G08G 1/127 701/36

(21) Appl. No.: **29/670,506**  
(22) Filed: **Nov. 16, 2018**  
(30) **Foreign Application Priority Data**

\* cited by examiner

*Primary Examiner* — Darlington Ly  
(74) *Attorney, Agent, or Firm* — Schwegman Lundberg & Woessner, P.A.

Oct. 20, 2018 (CN) ..... 2018 3 0592659  
(51) **LOC (12) Cl.** ..... **12-11**  
(52) **U.S. Cl.**  
USPC ..... **D12/178**  
(58) **Field of Classification Search**  
USPC ..... D12/111, 114, 178; D8/303  
CPC ..... B62K 19/16; B62K 21/12; B62K 21/18;  
B62K 21/125; B62K 23/06  
See application file for complete search history.

(57) **CLAIM**

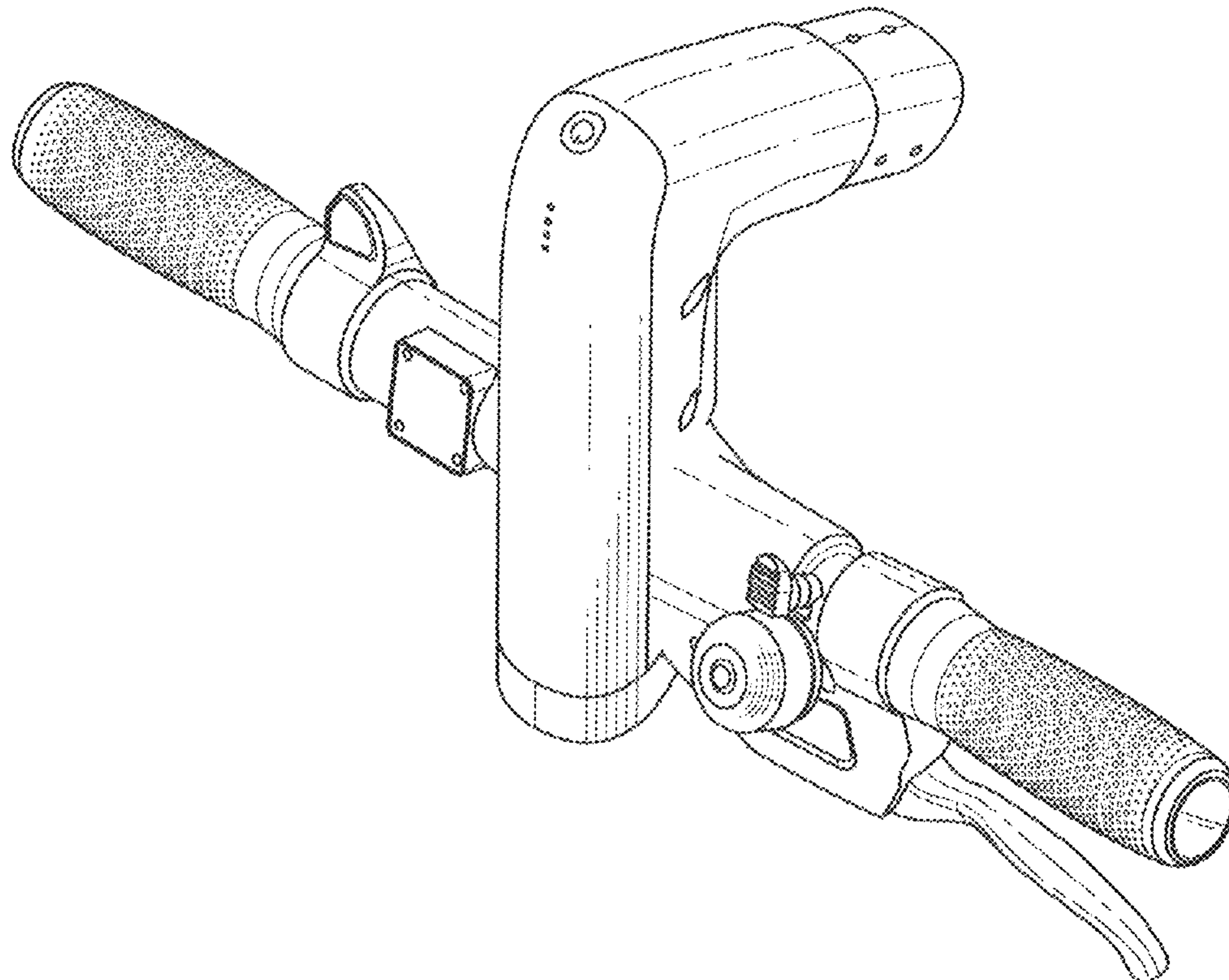
The ornamental design for a handlebar, as shown and described.

**DESCRIPTION**

FIG. 1 is a perspective view of a handlebar showing my new design;  
FIG. 2 is a front elevation view thereof;  
FIG. 3 is a rear elevation view thereof;  
FIG. 4 is a left side elevation view thereof;  
FIG. 5 is a right side elevation view thereof;  
FIG. 6 is a top plan view thereof; and,  
FIG. 7 is a bottom plan view thereof.

(56) **References Cited**  
**U.S. PATENT DOCUMENTS**  
D273,775 S \* 5/1984 Aker ..... D12/114  
5,269,196 A \* 12/1993 Rafac ..... B62K 21/12  
280/281.1

**1 Claim, 4 Drawing Sheets**



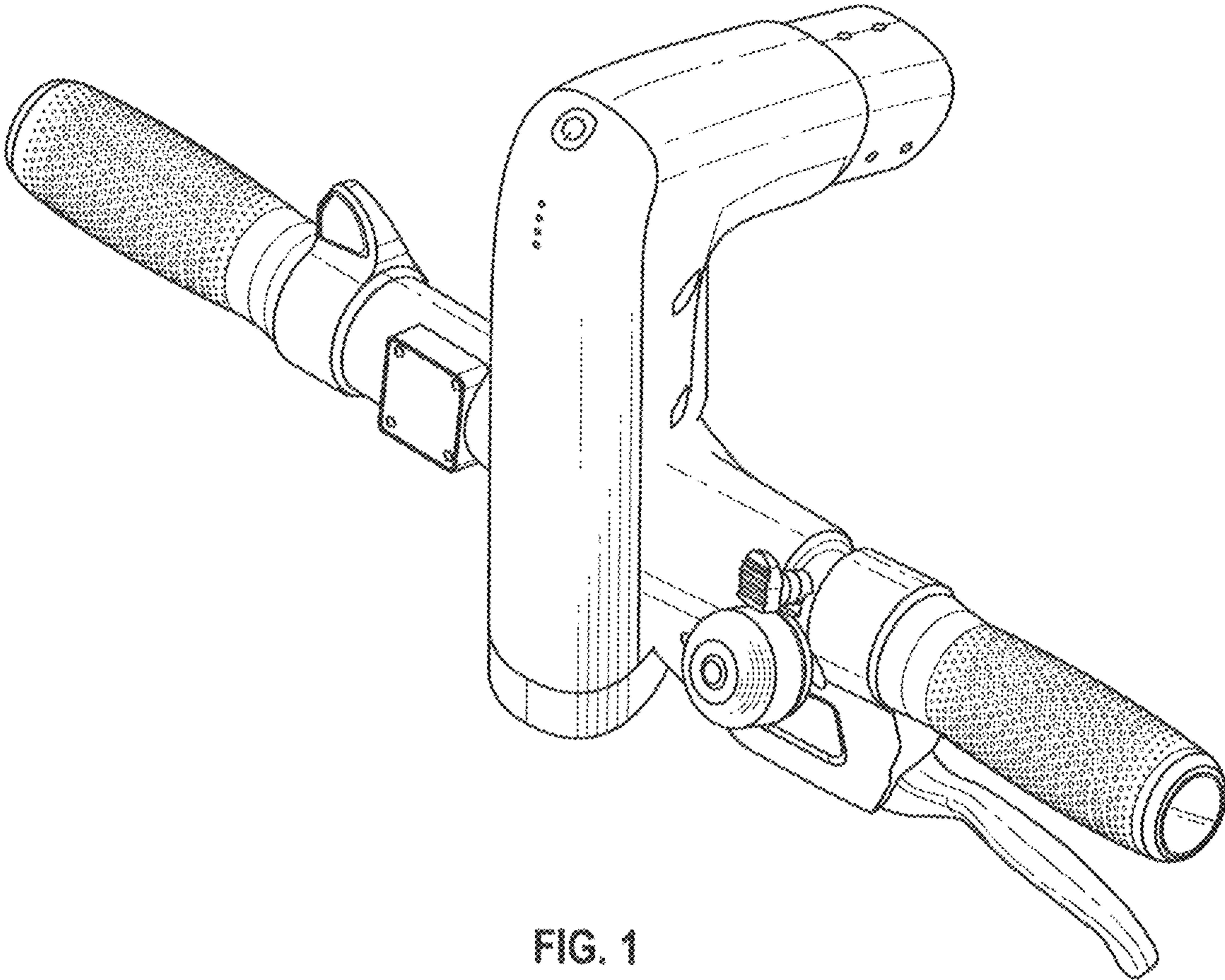


FIG. 1

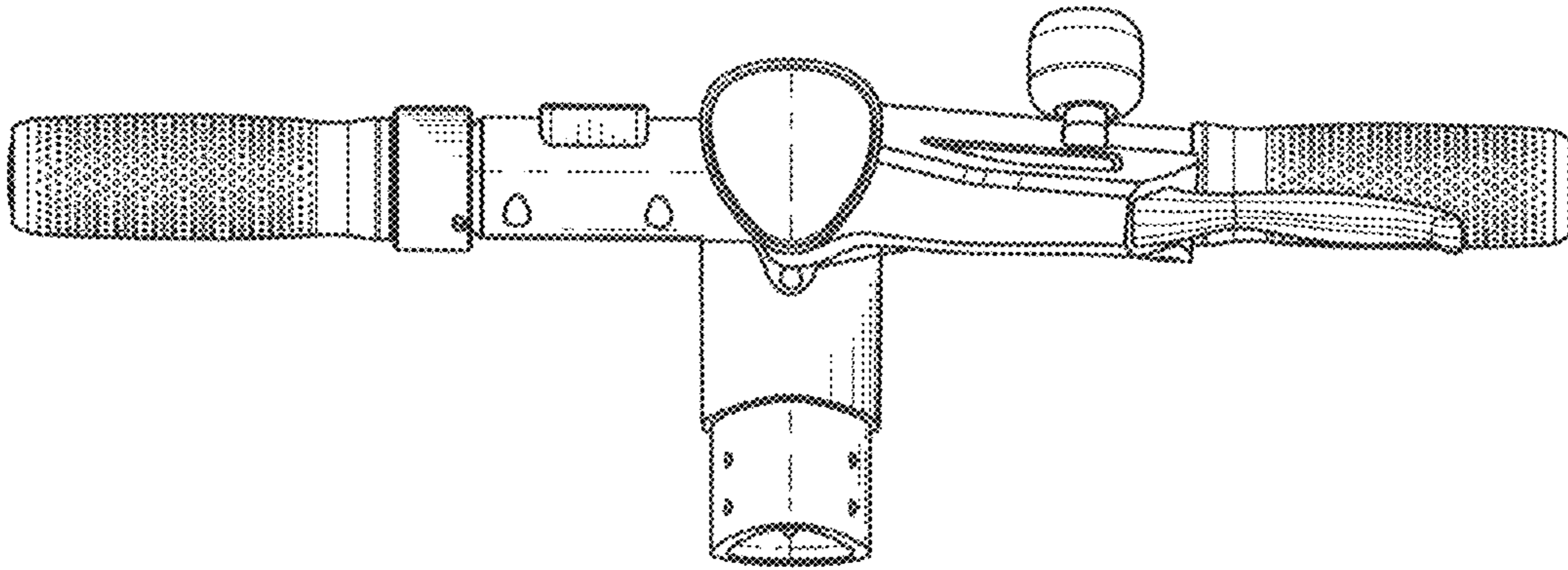


FIG. 2

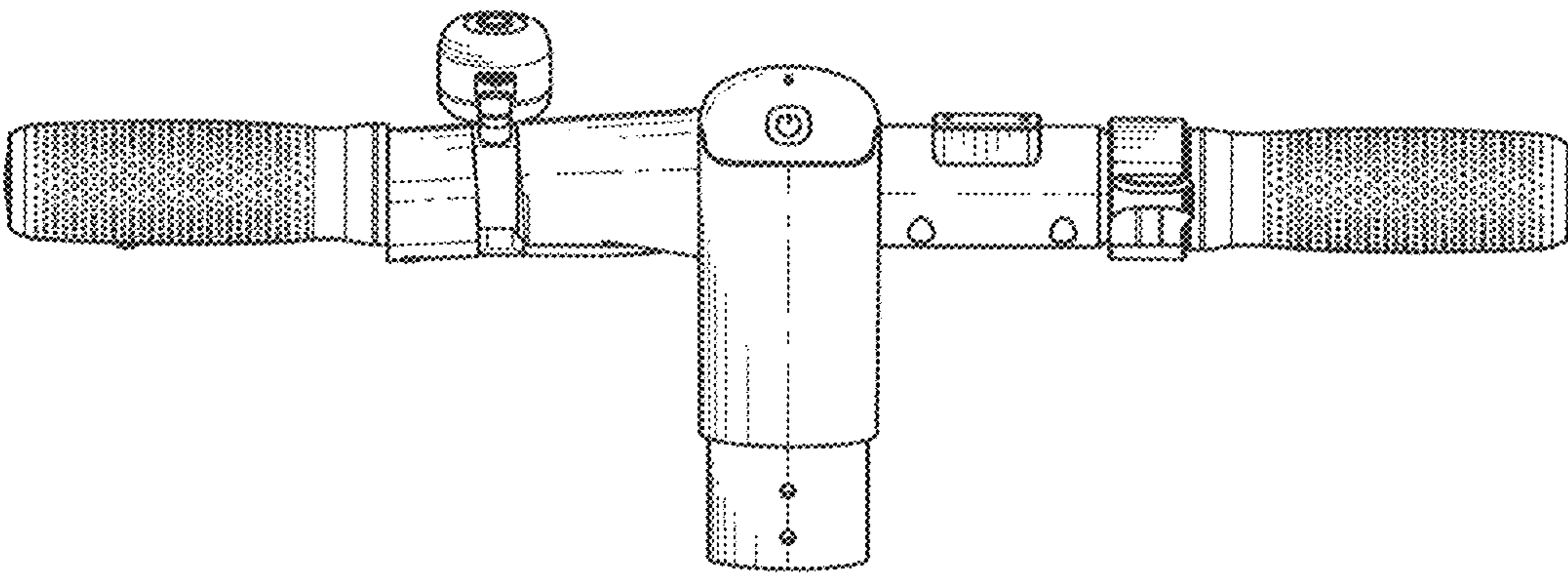


FIG. 3

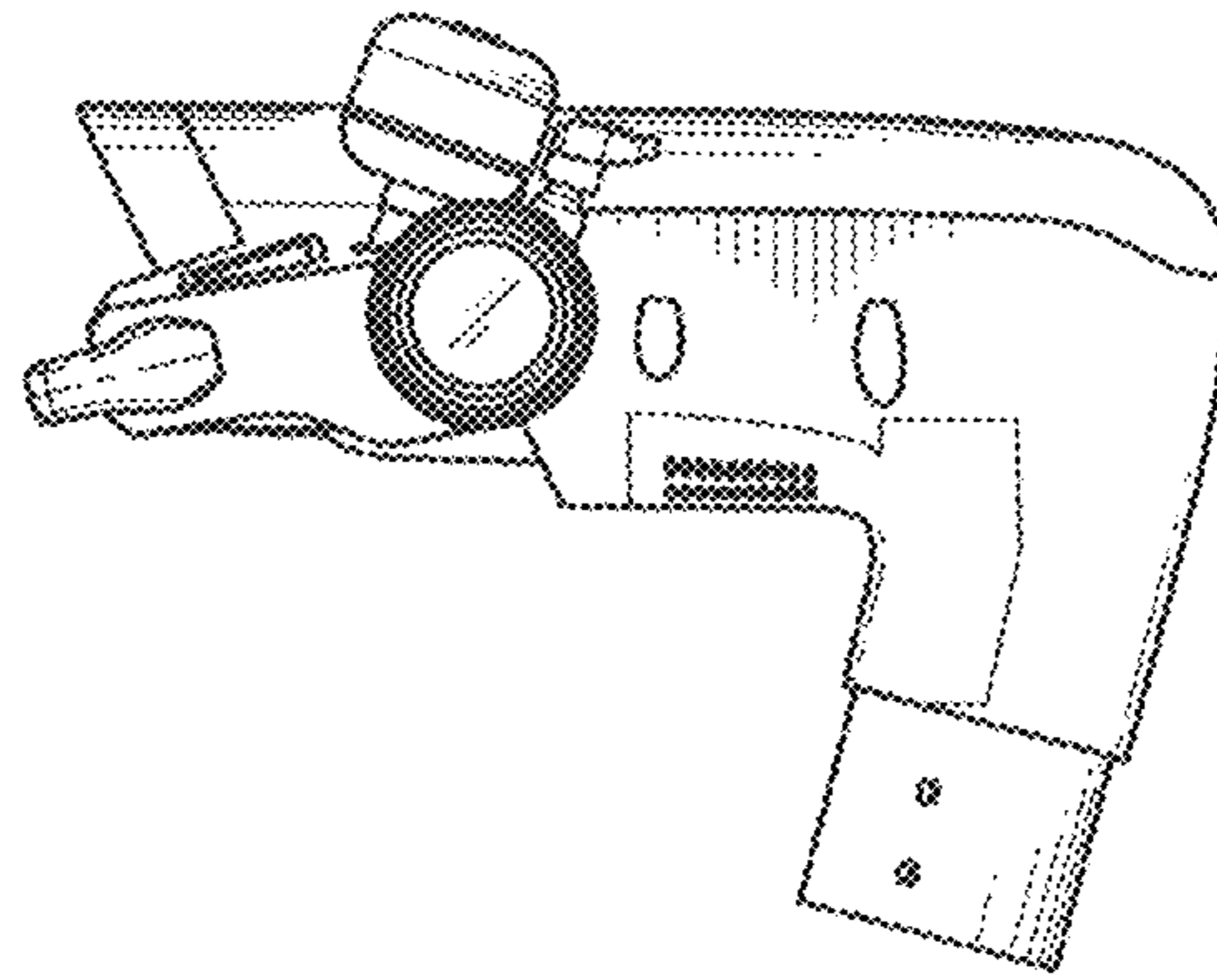


FIG. 4

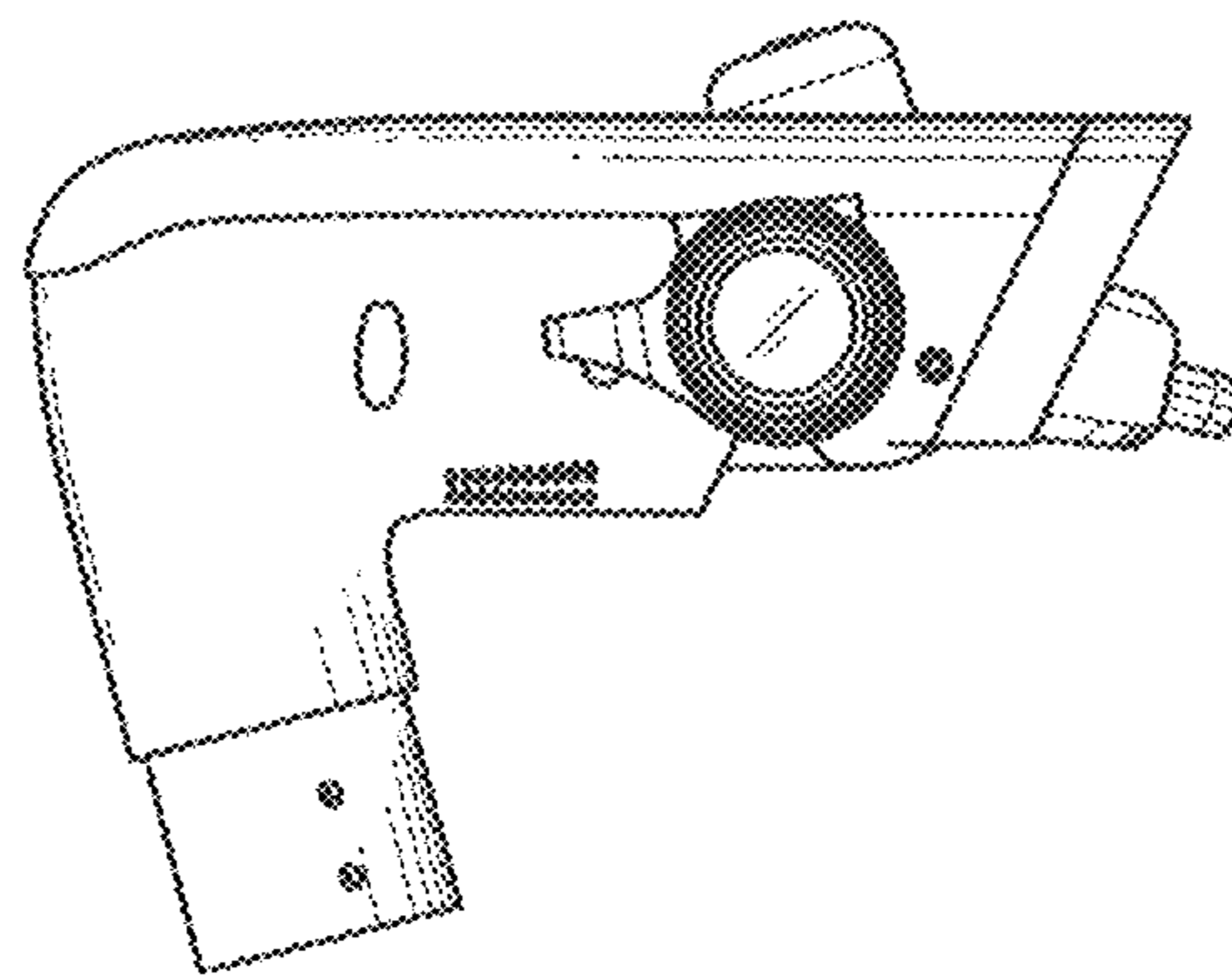


FIG. 5

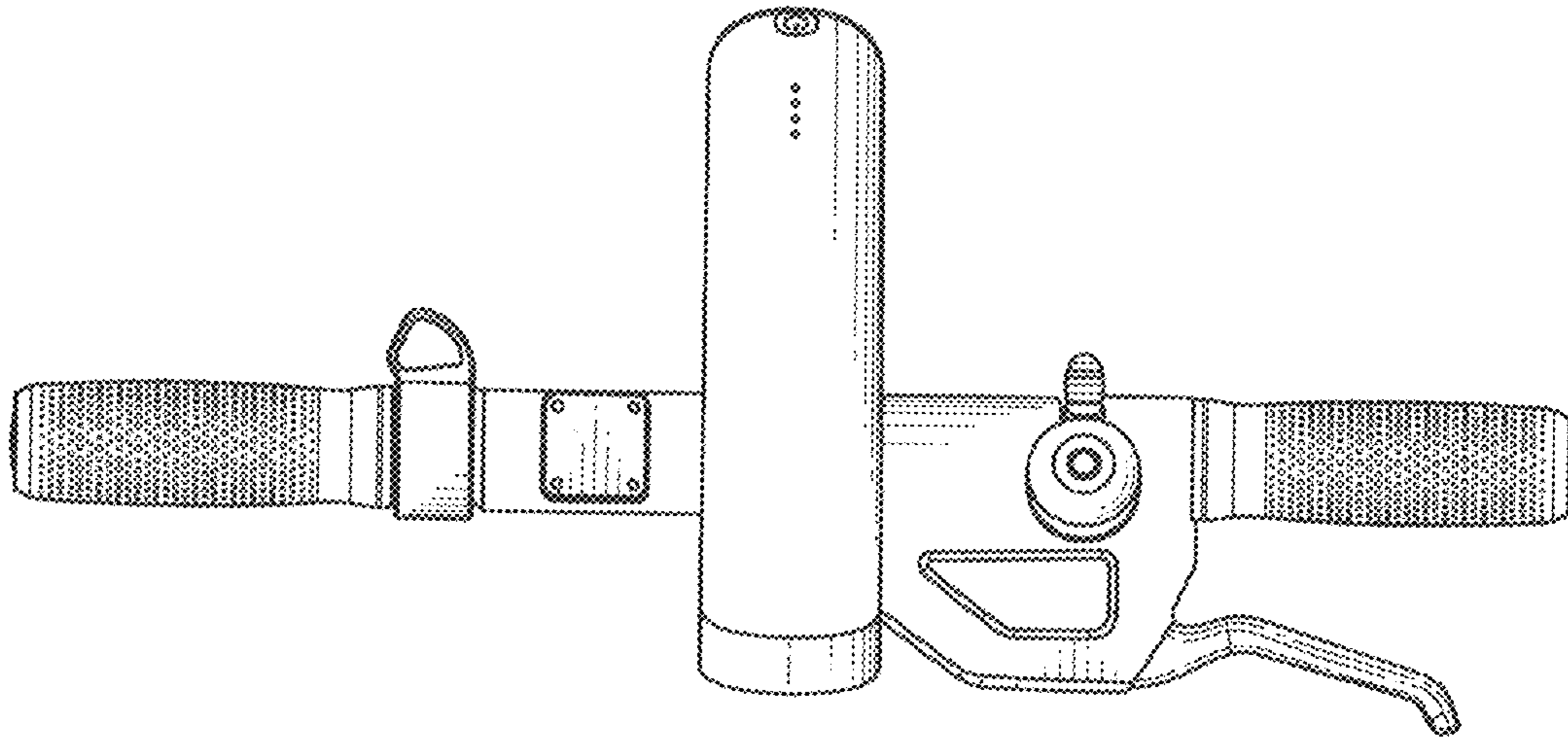


FIG. 6

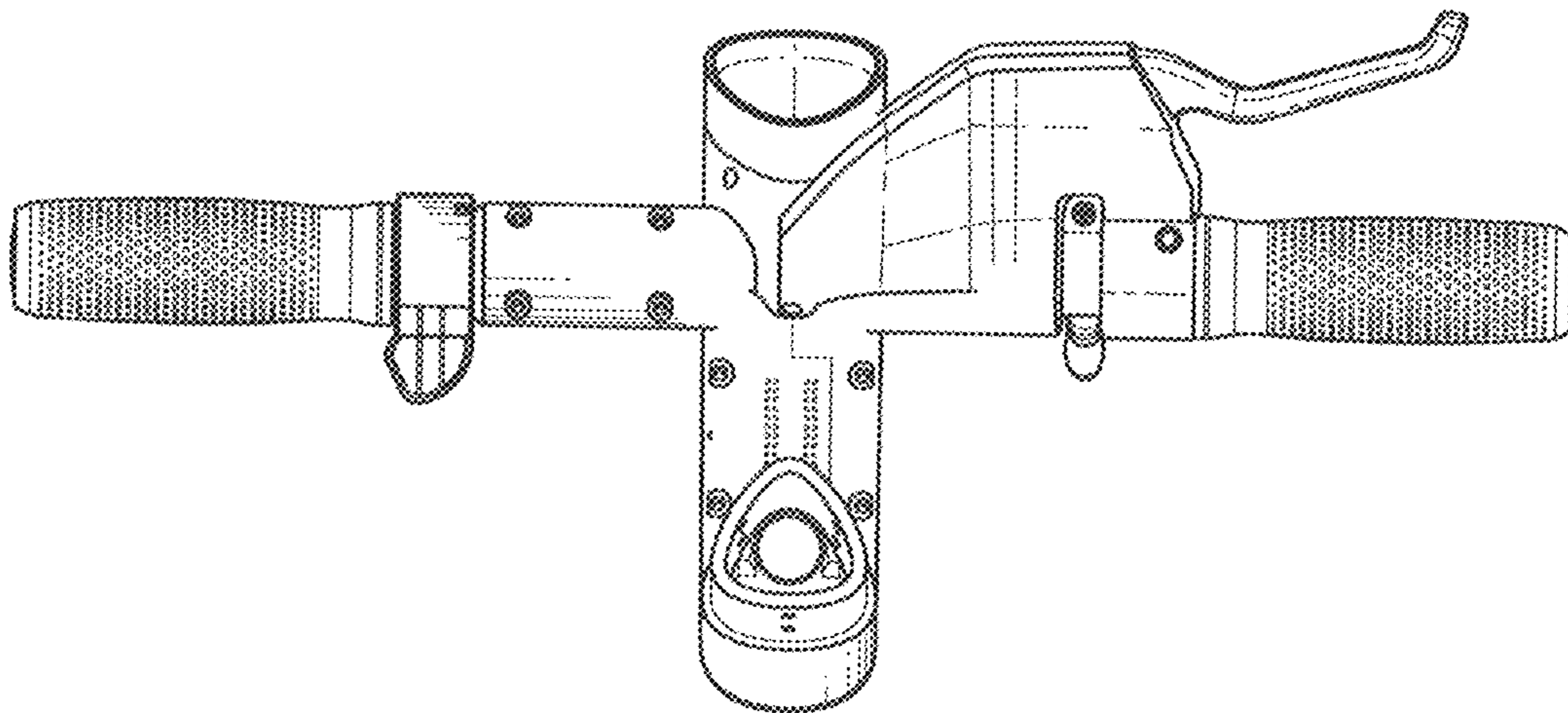


FIG. 7