



US00D886006S

(12) **United States Design Patent** (10) **Patent No.:** **US D886,006 S**
Metros et al. (45) **Date of Patent:** **** Jun. 2, 2020**

(54) **VEHICLE HOOD**

(71) Applicant: **Ford Global Technologies, LLC**,
Dearborn, MI (US)

(72) Inventors: **Craig Metros**, Bloomfield, MI (US);
George Bucher, Dearborn, MI (US);
James Grake, Beverly Hills, MI (US);
Andrew Bazinski, Amherstburg (CA)

(73) Assignee: **Ford Global Technologies, LLC**,
Dearborn, MI (US)

D644,579 S	9/2011	Messale	
D678,149 S *	3/2013	Hamilton	D12/173
D699,643 S *	2/2014	Chae	D12/173
D779,399 S	2/2017	Bucher et al.	
D812,532 S *	3/2018	Jeong	D12/173
D824,824 S *	8/2018	Kim	D12/173
D841,541 S *	2/2019	Krieg	D12/173
D855,515 S *	8/2019	Riggs	D12/173
D865,590 S *	11/2019	Bridan	D12/173
D865,591 S *	11/2019	Smock	D12/173
D866,421 S *	11/2019	Battams	D12/173
D876,297 S *	2/2020	Wheel	D12/173

* cited by examiner

(**) Term: **15 Years**

Primary Examiner — George D. Kirschbaum
Assistant Examiner — Joseph J Kukella

(21) Appl. No.: **29/685,391**

(74) *Attorney, Agent, or Firm* — Vichit Chea

(22) Filed: **Mar. 28, 2019**

(57) **CLAIM**

(51) **LOC (12) Cl.** **12-08**

The ornamental design for a vehicle hood, as shown and described.

(52) **U.S. Cl.**

USPC **D12/173**

DESCRIPTION

(58) **Field of Classification Search**

USPC D12/90, 91, 92, 169, 173, 181, 184, 190,
D12/195, 196, 203

CPC B60J 5/00; B60J 5/02; B60J 5/04; B60J
5/10; B62D 25/02; B62D 25/04

See application file for complete search history.

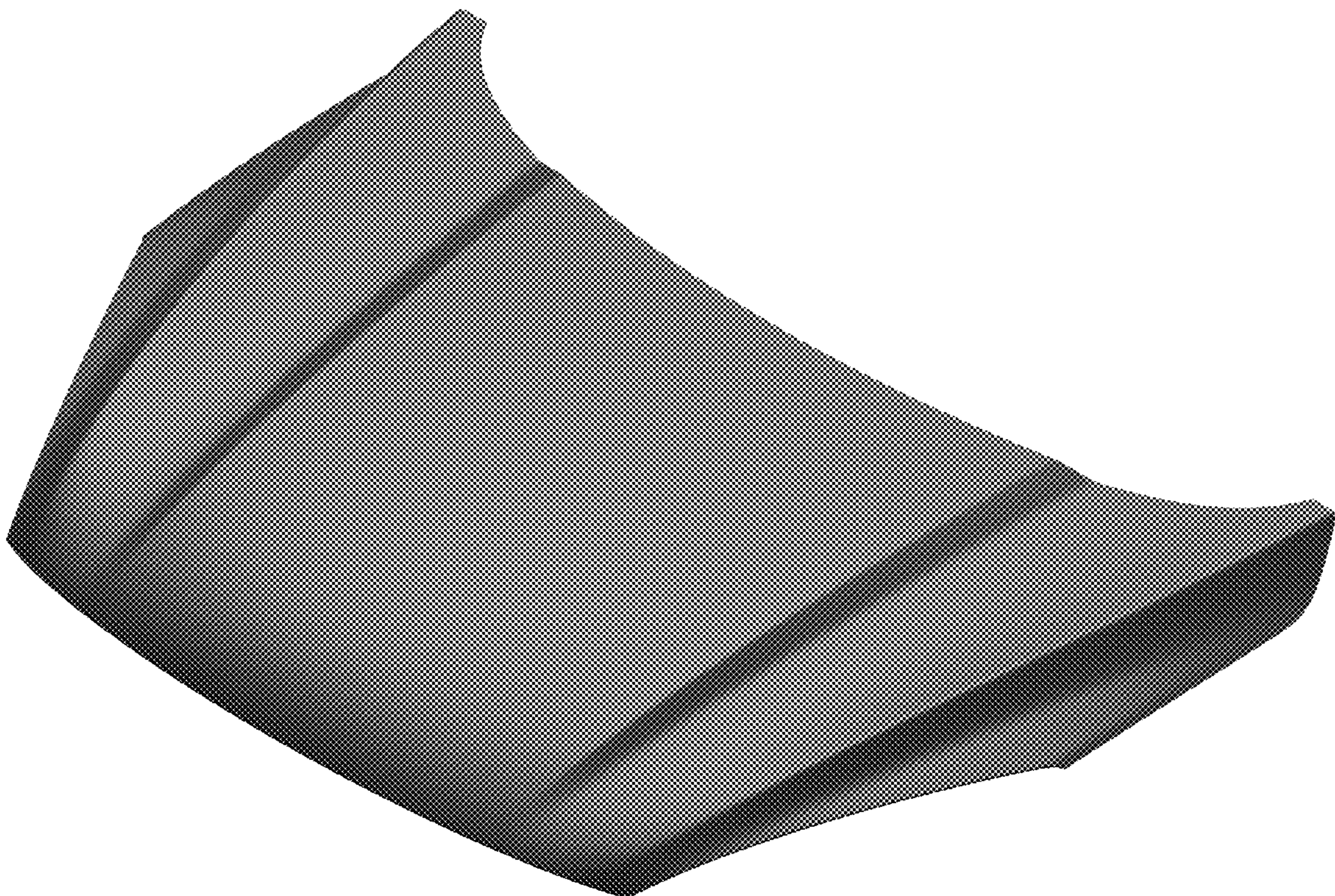
FIG. 1 is a front elevational view of a vehicle hood, showing our new design;
 FIG. 2 is a left side elevational view thereof;
 FIG. 3 is a right side elevational view thereof;
 FIG. 4 is a top plan view thereof;
 FIG. 5 is a bottom plan view thereof;
 FIG. 6 is a top, front, and left side perspective view thereof;
 and,
 FIG. 7 is a top, rear, and left side perspective view thereof.

(56) **References Cited**

U.S. PATENT DOCUMENTS

D532,728 S	11/2006	Schiavone et al.
D580,323 S	11/2008	Gurler et al.

1 Claim, 7 Drawing Sheets



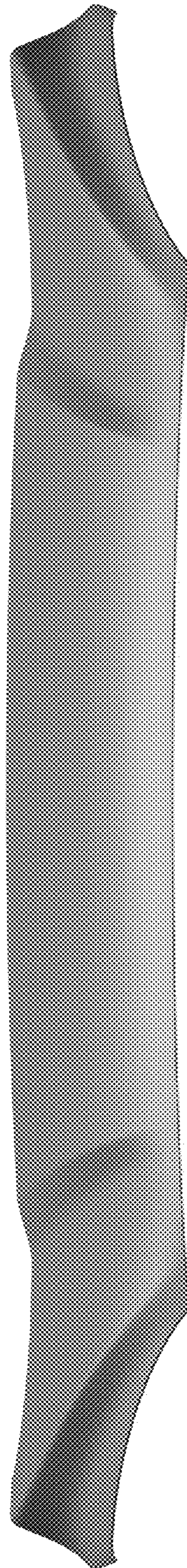


Fig. 1

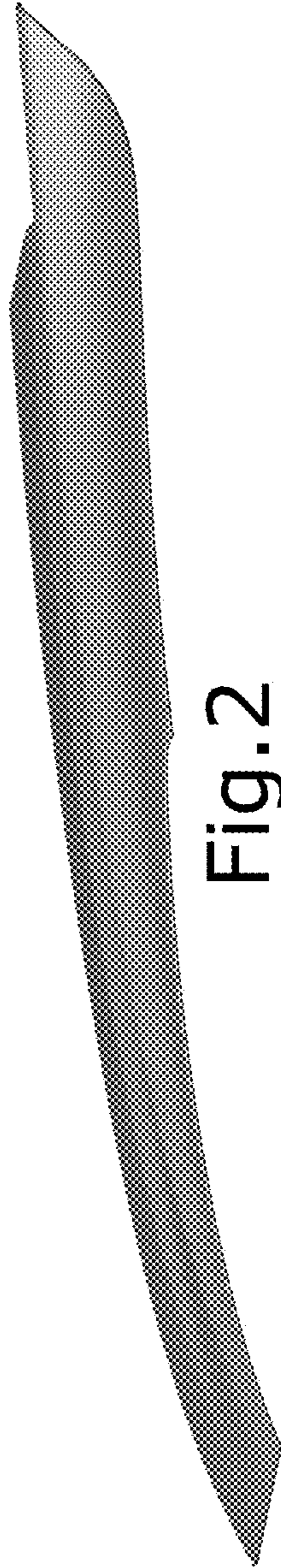


Fig. 2

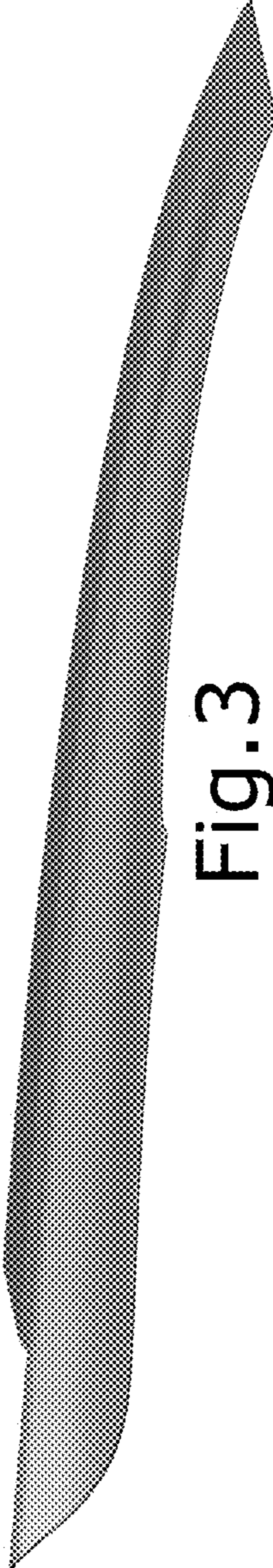


Fig. 3

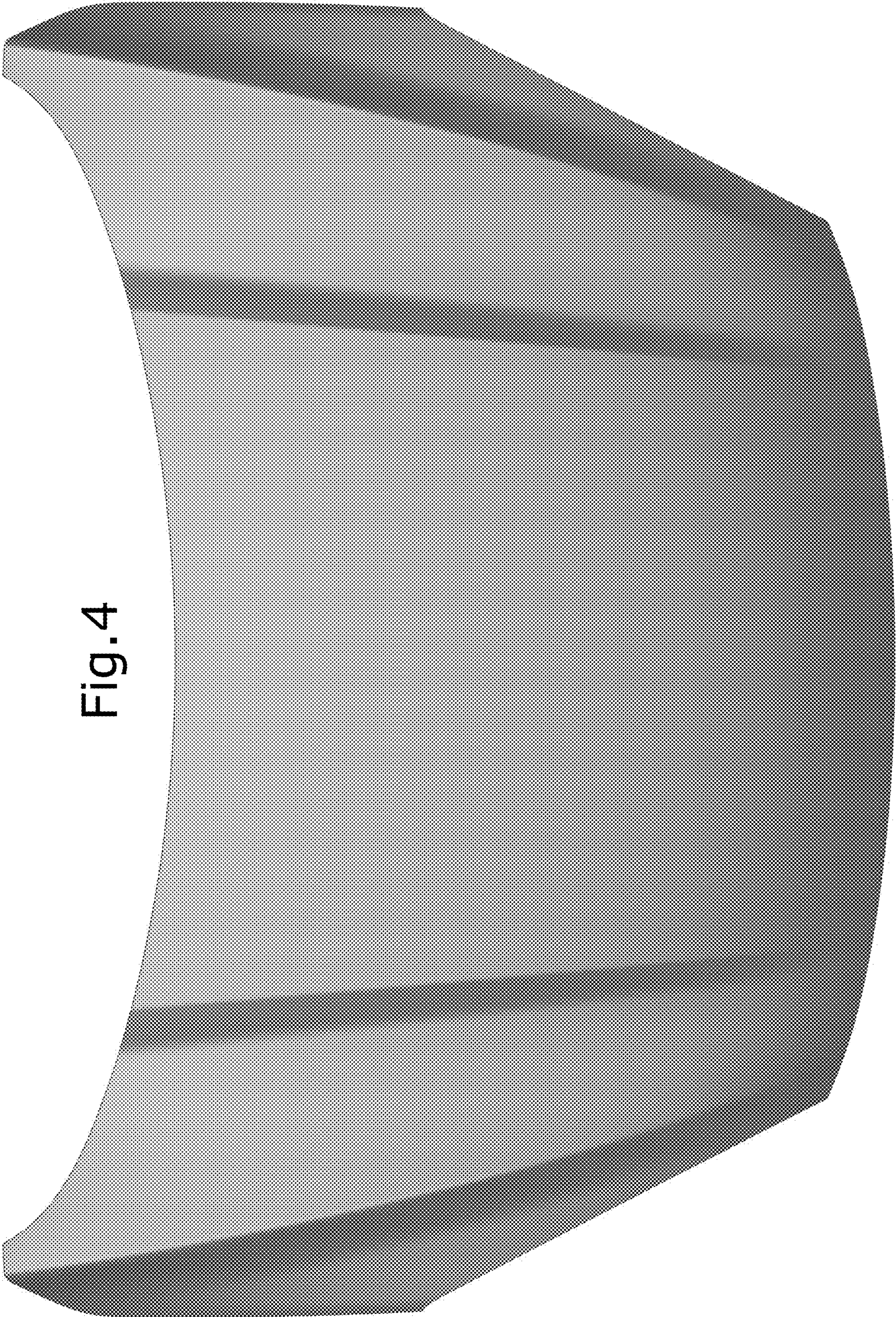


Fig.4

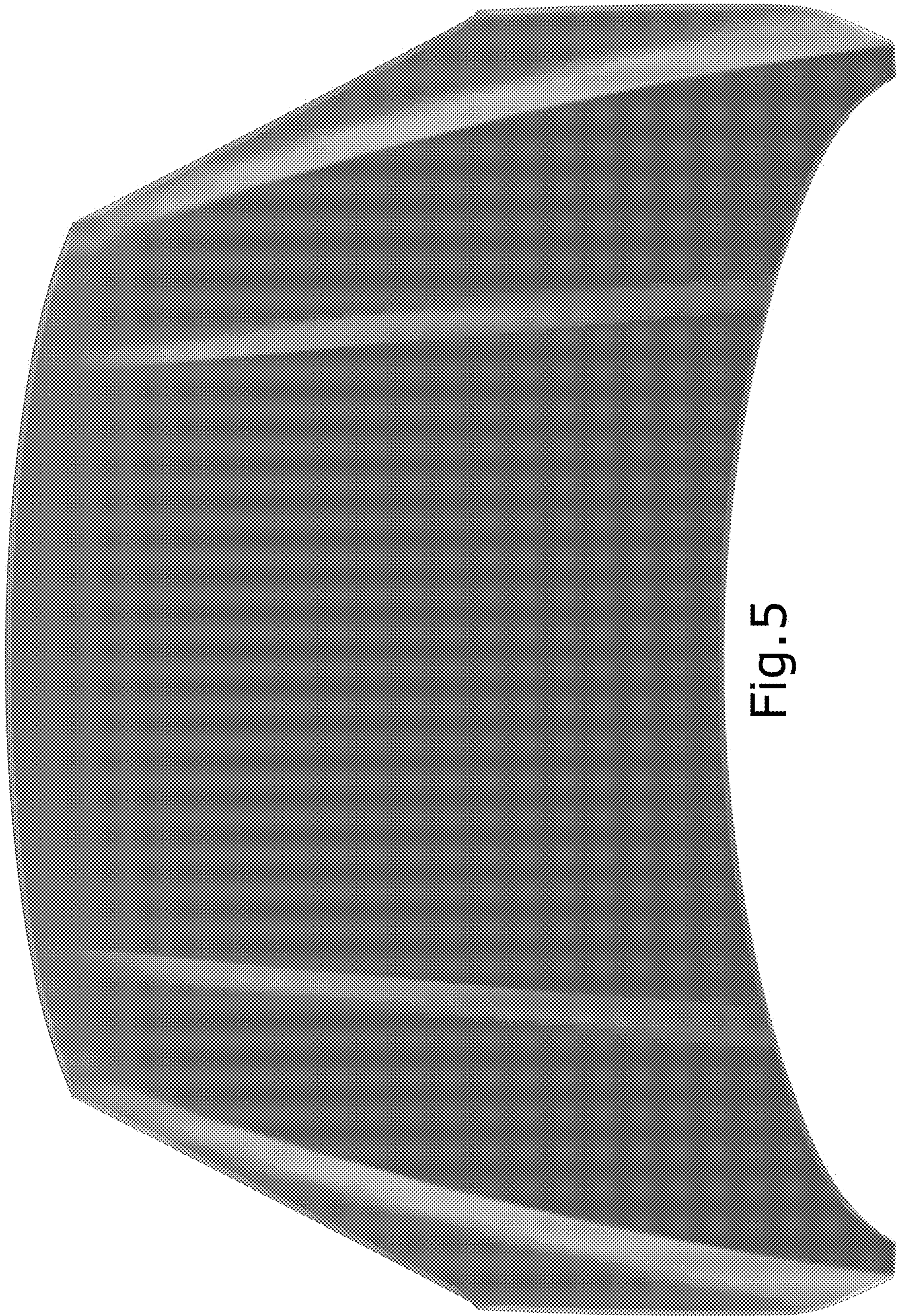


Fig. 5

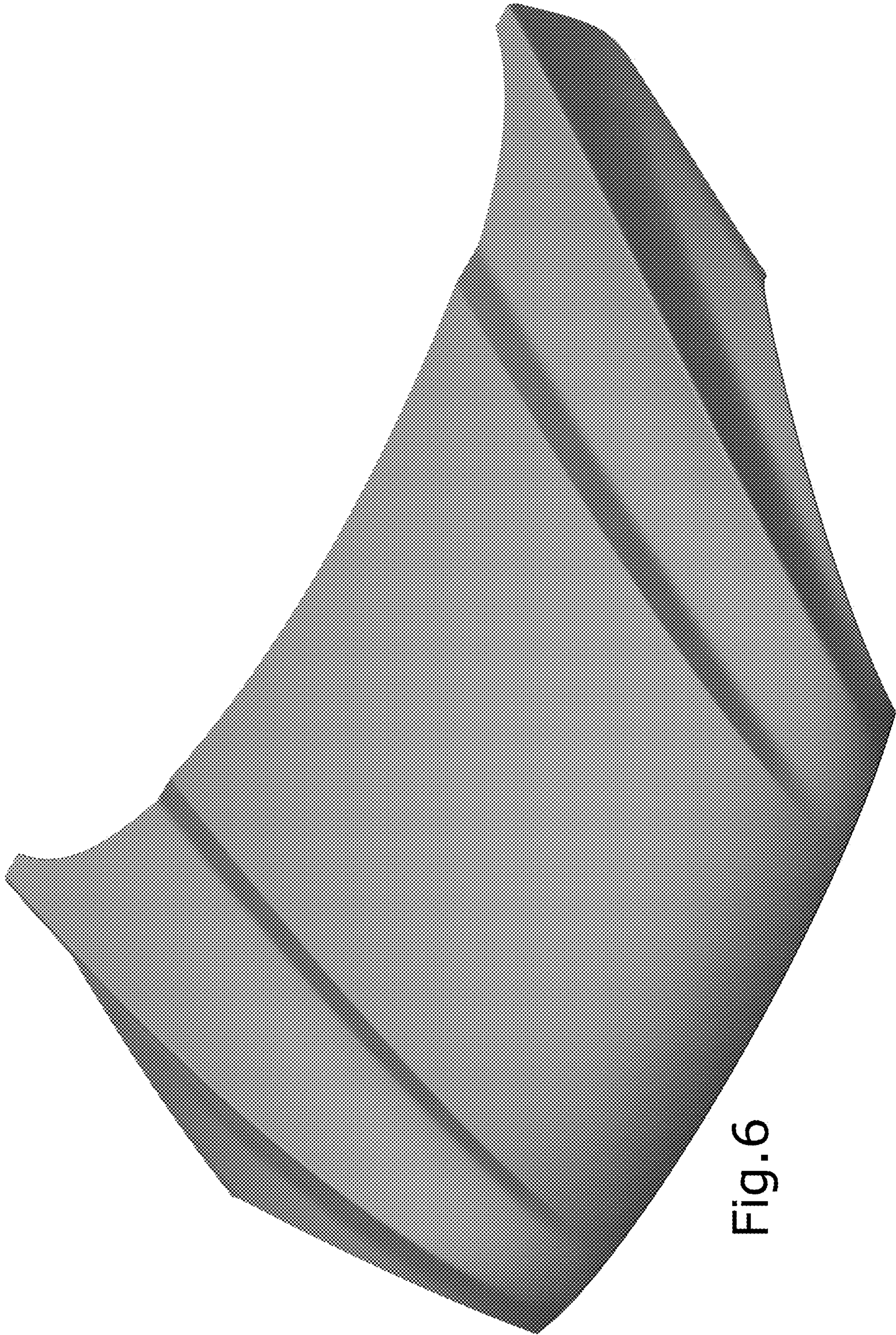


Fig. 6

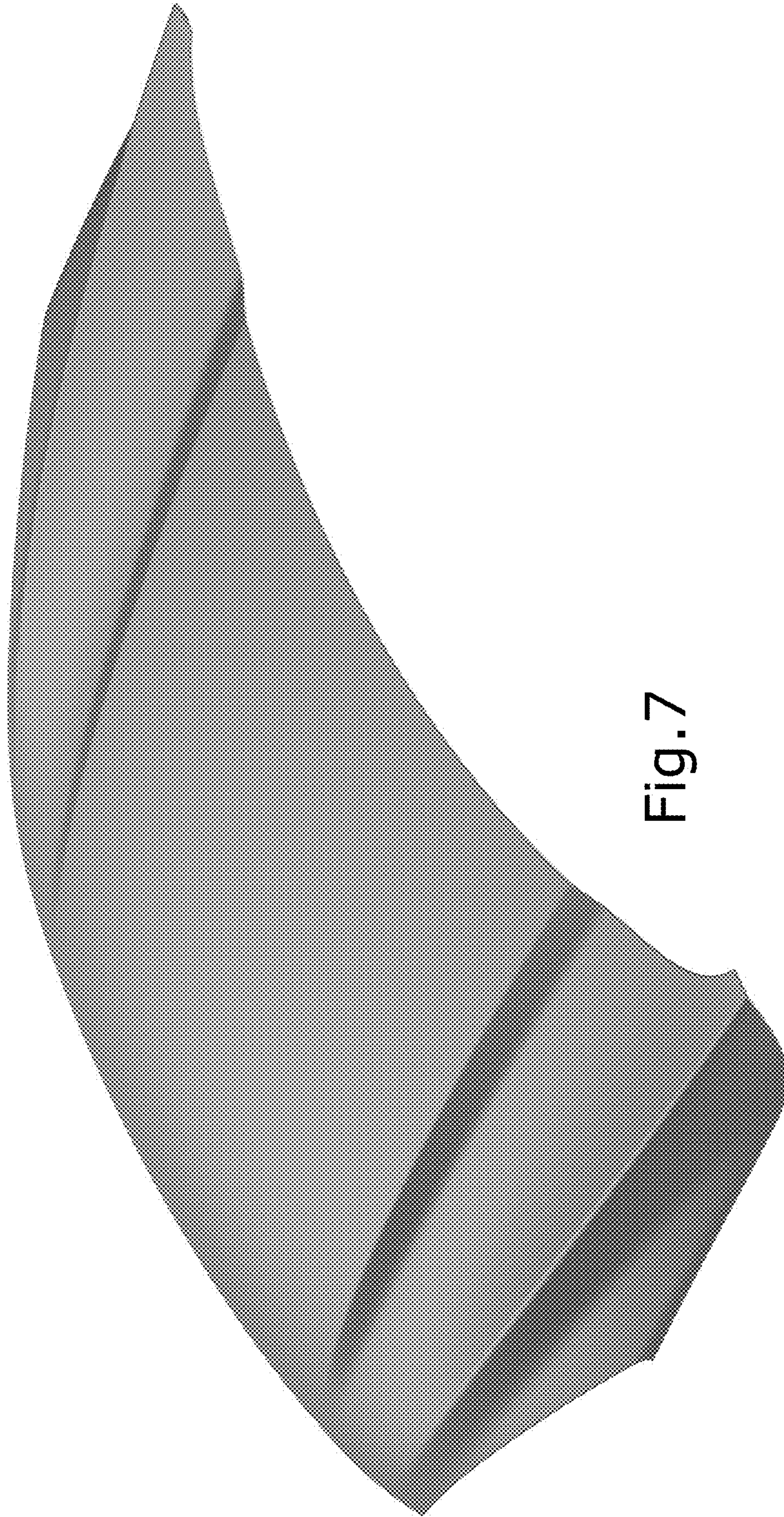


Fig. 7