



US00D886004S

(12) **United States Design Patent** (10) **Patent No.:** **US D886,004 S**  
**Woodhouse et al.** (45) **Date of Patent:** **\*\* Jun. 2, 2020**

(54) **VEHICLE REAR LOWER BUMPER COVER INSERT**

(71) Applicant: **Ford Global Technologies, LLC,**  
Dearborn, MI (US)

(72) Inventors: **David Woodhouse,** Troy, MI (US);  
**Kemal Curic,** Irvine, CA (US); **Shawn Wehrly,** Northville, MI (US); **Michal Illukiewicz,** Bloomfield Hills, MI (US)

(73) Assignee: **Ford Global Technologies, LLC,**  
Dearborn, MI (US)

(\*\*) Term: **15 Years**

(21) Appl. No.: **29/685,618**

(22) Filed: **Mar. 29, 2019**

(51) **LOC (12) Cl.** ..... **12-16**

(52) **U.S. Cl.**  
USPC ..... **D12/169**

(58) **Field of Classification Search**  
USPC .... D12/169, 164, 196, 171, 163, 86, 90-92;  
293/102, 113, 115, 117, 120; 296/180.1,  
296/180.2  
CPC ..... B60R 19/02; B60R 19/04; B62D 25/08  
See application file for complete search history.

(56) **References Cited**

U.S. PATENT DOCUMENTS

|              |         |             |       |         |
|--------------|---------|-------------|-------|---------|
| D639,215 S * | 6/2011  | Faghihzadeh | ..... | D12/169 |
| D640,613 S * | 6/2011  | Bauer       | ..... | D12/169 |
| D663,660 S * | 7/2012  | Platto      | ..... | D12/169 |
| D675,136 S * | 1/2013  | Hamilton    | ..... | D12/169 |
| D678,146 S * | 3/2013  | Behmer      | ..... | D12/169 |
| D683,671 S * | 6/2013  | Platto      | ..... | D12/169 |
| D692,808 S * | 11/2013 | Morioka     | ..... | D12/169 |

|              |         |                |       |         |
|--------------|---------|----------------|-------|---------|
| D696,168 S * | 12/2013 | Ito            | ..... | D12/169 |
| D712,805 S * | 9/2014  | Murkett        | ..... | D12/169 |
| D738,269 S * | 9/2015  | Blanski        | ..... | D12/169 |
| D743,853 S   | 11/2015 | Blanski et al. |       |         |
| D751,003 S * | 3/2016  | Rupar          | ..... | D12/163 |
| D751,004 S * | 3/2016  | Rupar          | ..... | D12/163 |
| D803,738 S * | 11/2017 | Granlund       | ..... | D12/169 |
| D807,253 S * | 1/2018  | Piscitelli     | ..... | D12/169 |
| D811,963 S * | 3/2018  | Sullivan       | ..... | D12/169 |
| D813,741 S * | 3/2018  | Perkins        | ..... | D12/169 |
| D816,563 S * | 5/2018  | McMahan        | ..... | D12/169 |
| D827,517 S * | 9/2018  | Whang          | ..... | D12/169 |
| D832,157 S * | 10/2018 | Svensson       | ..... | D12/169 |
| D853,906 S * | 7/2019  | Betancourt     | ..... | D12/169 |
| D855,507 S * | 8/2019  | Blanski        | ..... | D12/169 |
| D859,237 S * | 9/2019  | Koo            | ..... | D12/169 |
| D868,649 S * | 12/2019 | Woodhouse      | ..... | D12/169 |
| D870,003 S * | 12/2019 | Bucher         | ..... | D12/169 |

\* cited by examiner

*Primary Examiner* — Melody N Brown

(74) *Attorney, Agent, or Firm* — Vichit Chea

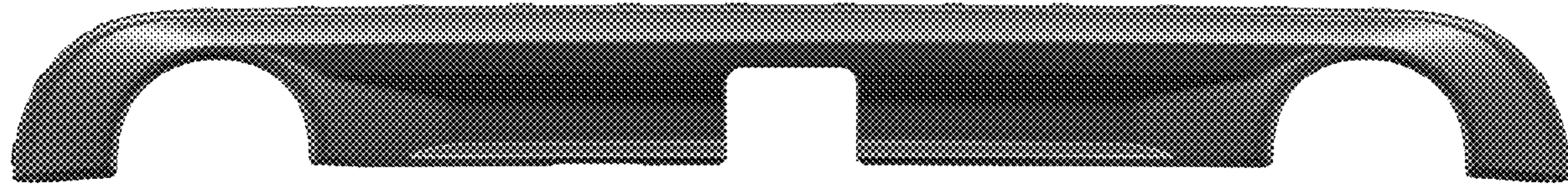
(57) **CLAIM**

The ornamental design for a vehicle rear lower bumper cover insert, as shown and described.

**DESCRIPTION**

FIG. 1 is a front elevational view of a vehicle rear lower bumper cover insert, showing our new design; FIG. 2 is a left side elevational view thereof; FIG. 3 is a right side elevational view thereof; FIG. 4 is a top plan view thereof; FIG. 5 is a bottom plan view thereof; FIG. 6 is a bottom, front and left side perspective view thereof; and, FIG. 7 is a top, front and left side perspective view thereof.

**1 Claim, 7 Drawing Sheets**



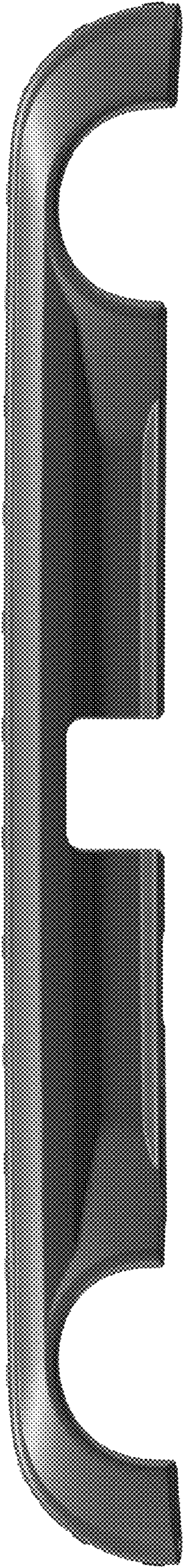


Fig. 1

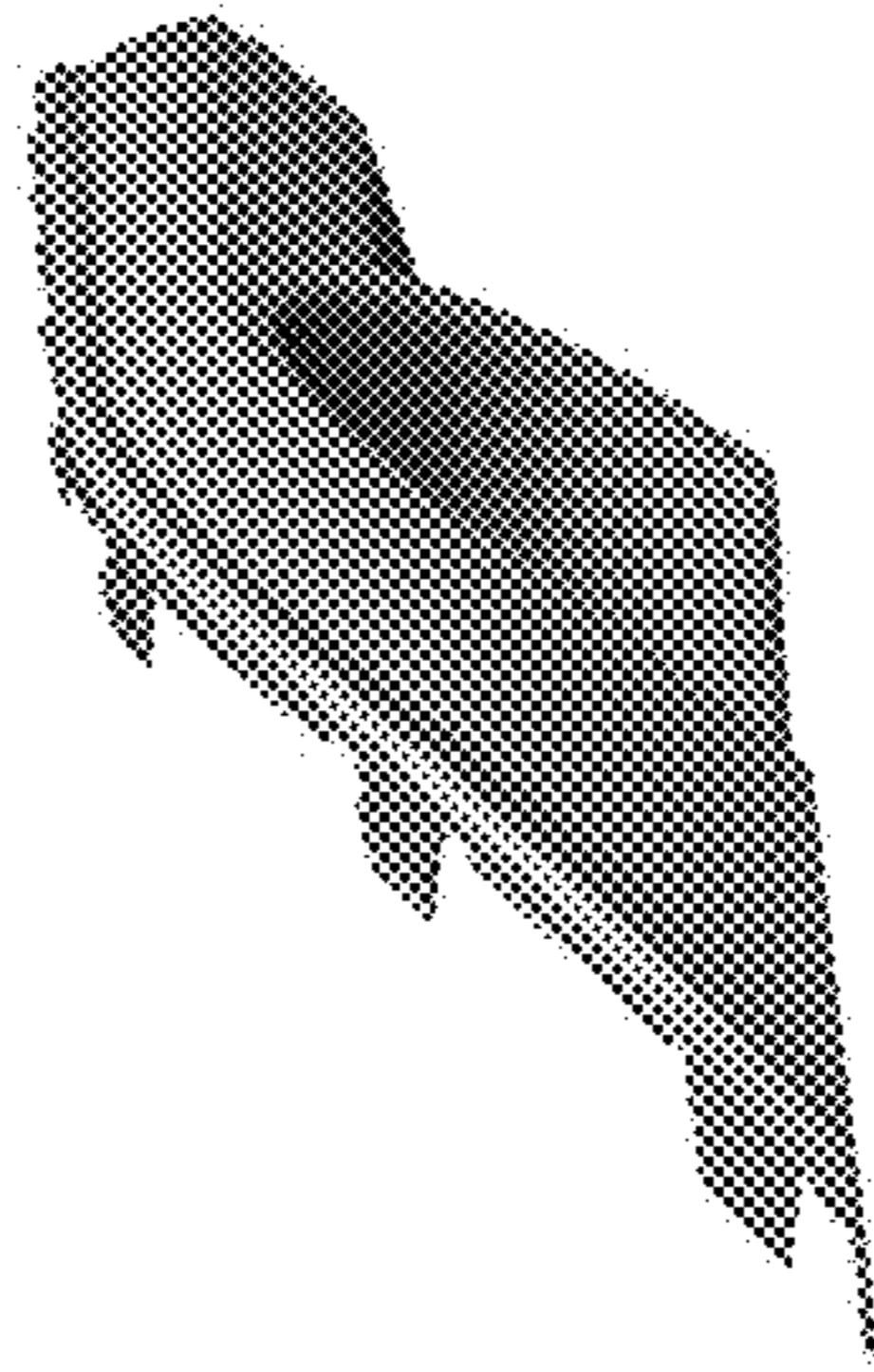


Fig. 2

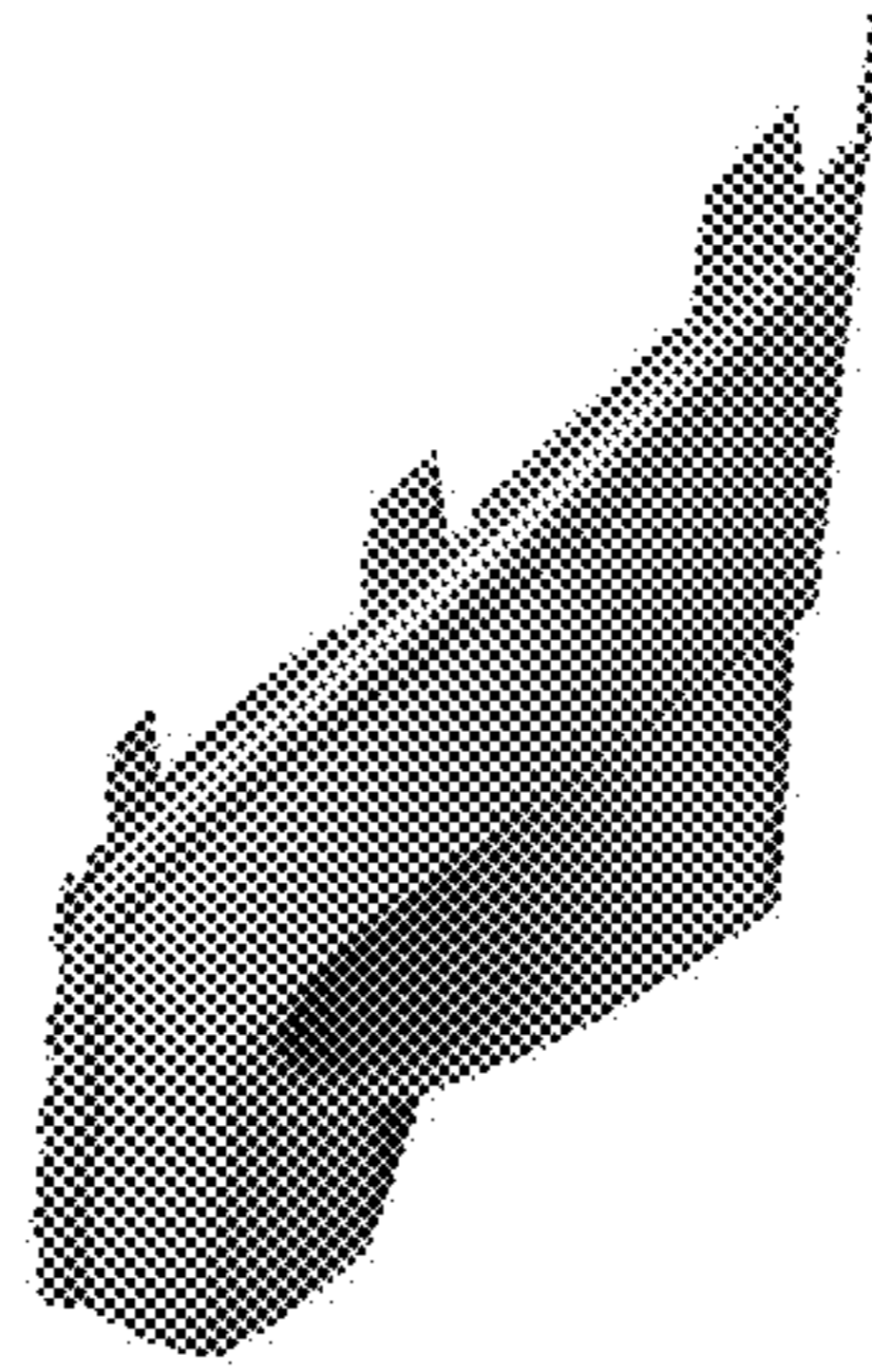


Fig. 3

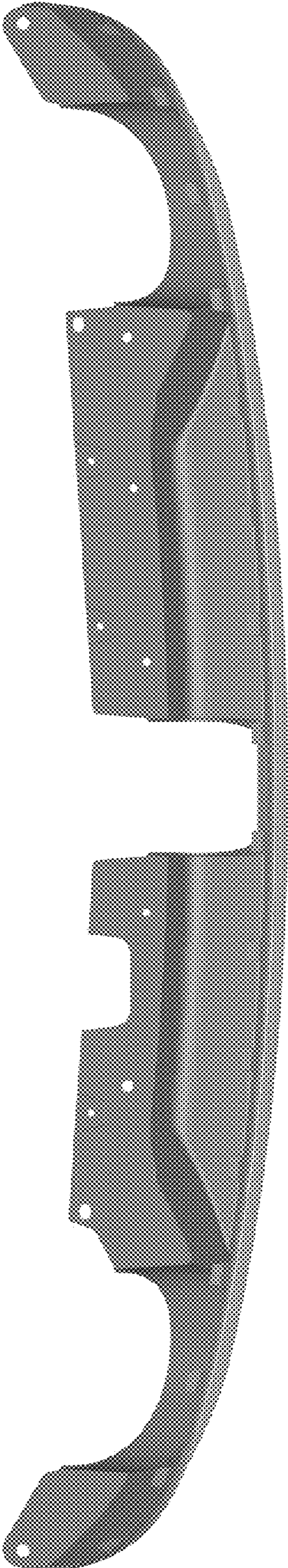
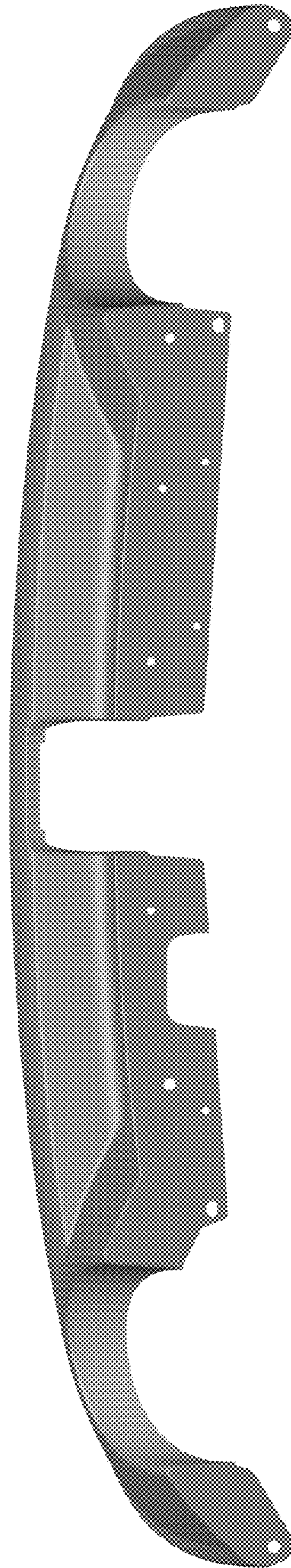


Fig.4

Fig. 5



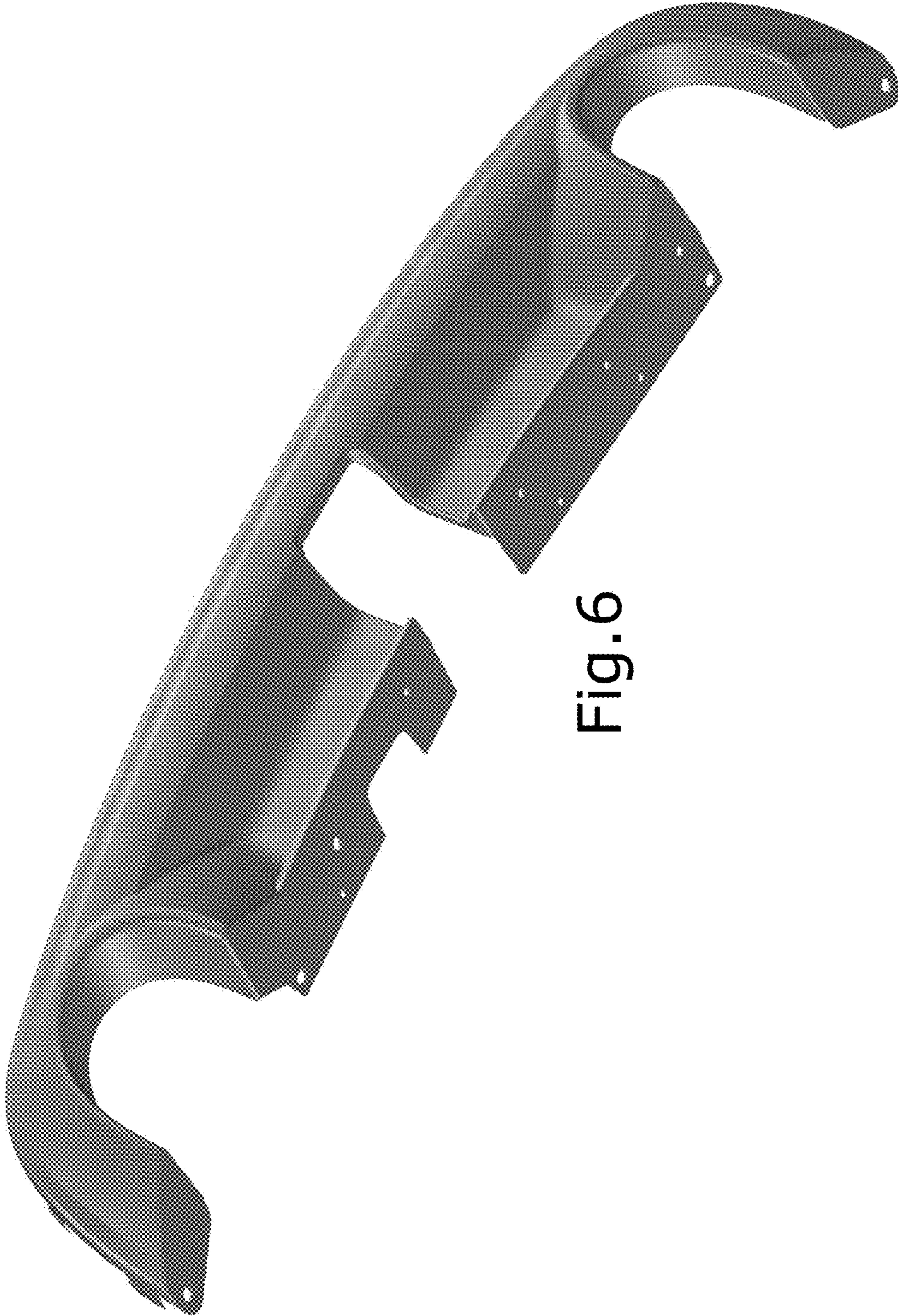


Fig. 6

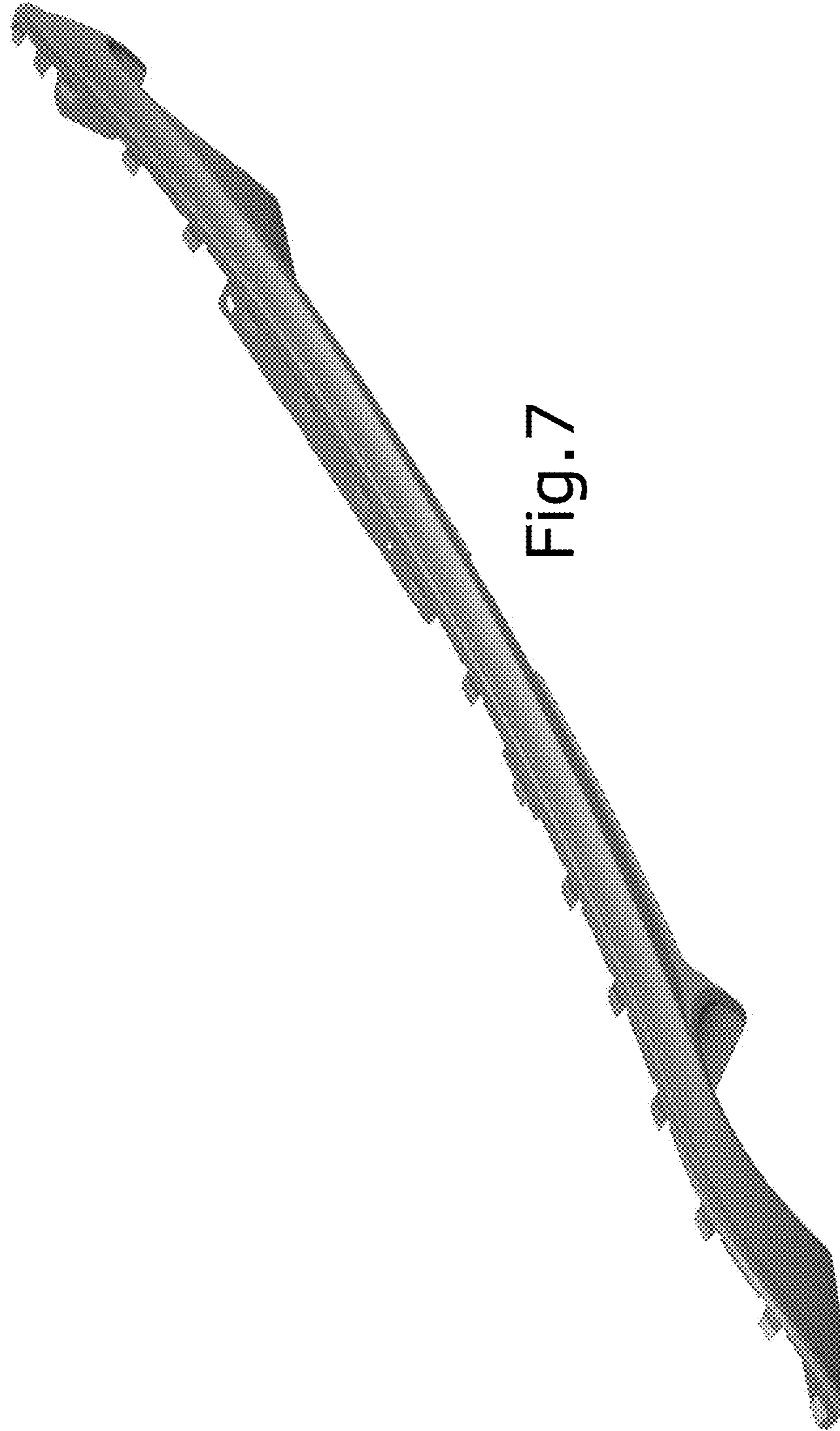


Fig. 7