



US00D886003S

(12) **United States Design Patent** (10) **Patent No.:** **US D886,003 S**
Kusunoki et al. (45) **Date of Patent:** **** Jun. 2, 2020**

(54) **REAR BUMPER FOR AUTOMOBILE**
(71) Applicant: **Nissan Motor Co., Ltd.**, Yokohama, Kanagawa (JP)
(72) Inventors: **Teppei Kusunoki**, Kanagawa (JP); **Takashi Utsunomiya**, Kanagawa (JP)
(73) Assignee: **Nissan Motor Co., Ltd.**, Yokohama (JP)
(**) Term: **15 Years**

D801,885 S * 11/2017 Melikian D12/169
D813,111 S * 3/2018 Sullivan D12/169
D813,114 S * 3/2018 Zurian D12/169
D813,742 S * 3/2018 McMahan D12/169
D813,756 S * 3/2018 Loeb D12/169
D818,402 S * 5/2018 Kawakami D12/169
D825,413 S * 8/2018 Luk D12/169
D825,415 S * 8/2018 De Bono D12/169
D827,517 S * 9/2018 Whang D12/169
D841,531 S * 2/2019 Munakata D12/169
D842,770 S * 3/2019 Kamahara D12/169
D842,771 S * 3/2019 Nishii D12/169
D843,279 S * 3/2019 Jevremovic D12/169
D853,906 S * 7/2019 Betancourt D12/169
D856,217 S * 8/2019 Melikian D12/169

(21) Appl. No.: **29/663,211**

* cited by examiner

(22) Filed: **Sep. 13, 2018**

Primary Examiner — Melody N Brown

(30) **Foreign Application Priority Data**

(74) *Attorney, Agent, or Firm* — Global IP Counselors, LLP

Mar. 15, 2018 (JP) 2018-005515

(51) **LOC (12) Cl.** **12-16**

(52) **U.S. Cl.**
USPC **D12/169**

(58) **Field of Classification Search**
USPC D12/169, 164, 196, 171, 163, 86, 90–92;
293/102, 113, 115, 117, 120; 296/180.1,
296/180.2

CPC B60R 19/02; B60R 19/04; B62D 25/08
See application file for complete search history.

(56) **References Cited**

U.S. PATENT DOCUMENTS

D773,351 S * 12/2016 Munakata D12/169
D773,352 S * 12/2016 Munakata D12/169
D773,353 S * 12/2016 Munakata D12/169
D779,395 S * 2/2017 Horie D12/169
D786,746 S * 5/2017 Wheel D12/169
D792,291 S * 7/2017 Suga D12/169
D793,927 S * 8/2017 Potter D12/169
D797,617 S * 9/2017 Mori D12/169
D801,883 S * 11/2017 Fujiwara D12/169

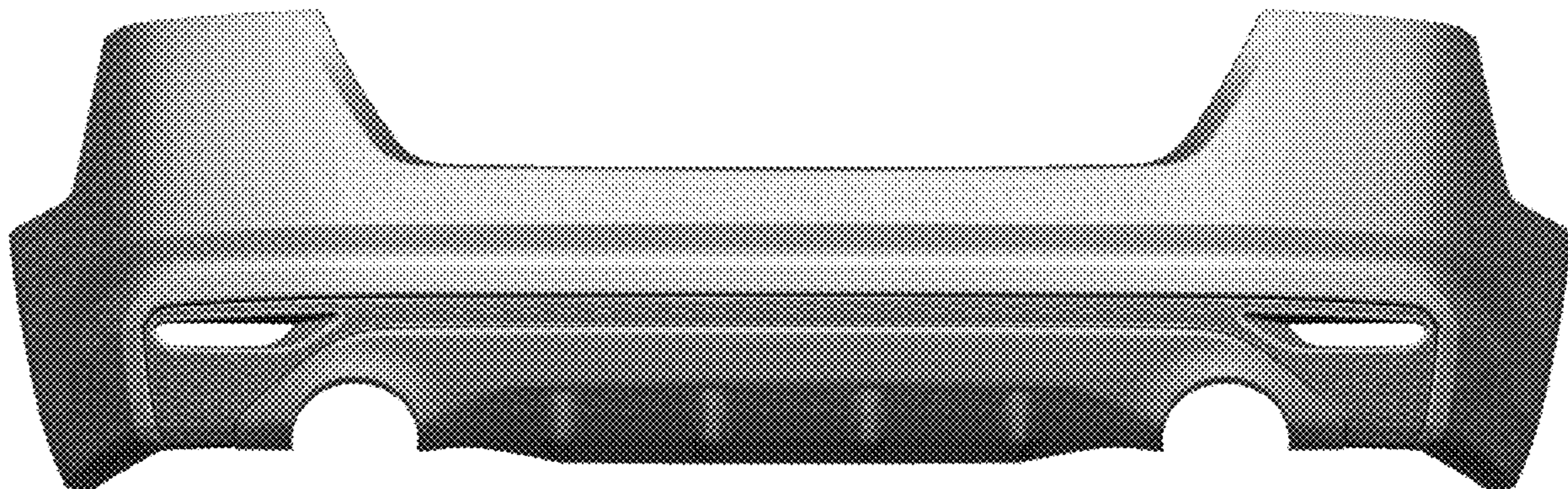
(57) **CLAIM**

The ornamental design for a rear bumper for an automobile, as shown and described.

DESCRIPTION

FIG. 1 is a front elevational view of a rear bumper for an automobile showing our new design;
FIG. 2 is a top plan view thereof;
FIG. 3 is a bottom plan view thereof;
FIG. 4 is a right side elevational view thereof;
FIG. 5 is a left side perspective view thereof;
FIG. 6 is a bottom, front and left side perspective view thereof; and,
FIG. 7 is a top, front and right side perspective view thereof.
The rear view of the rear bumper forms no part of the claimed design. The inside surfaces of the rear bumper visible in FIGS. 2, 3, 6 and 7 form no part of the claimed design since the inside surfaces are hidden when the rear bumper is mounted to the automobile.

1 Claim, 7 Drawing Sheets



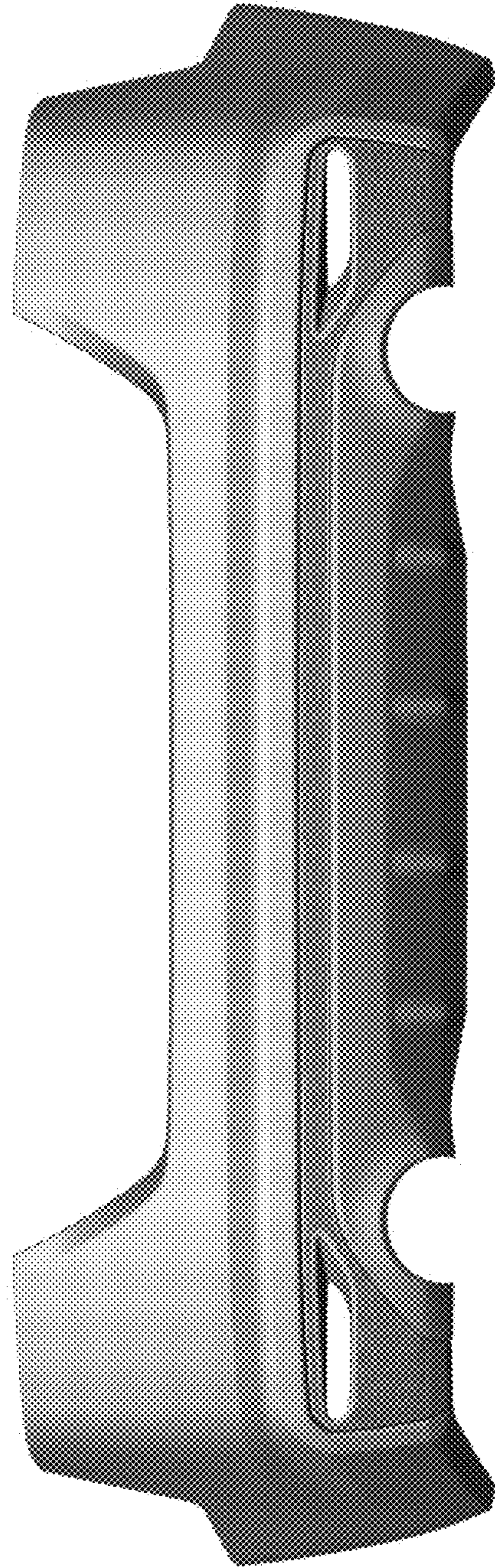


FIG. 1

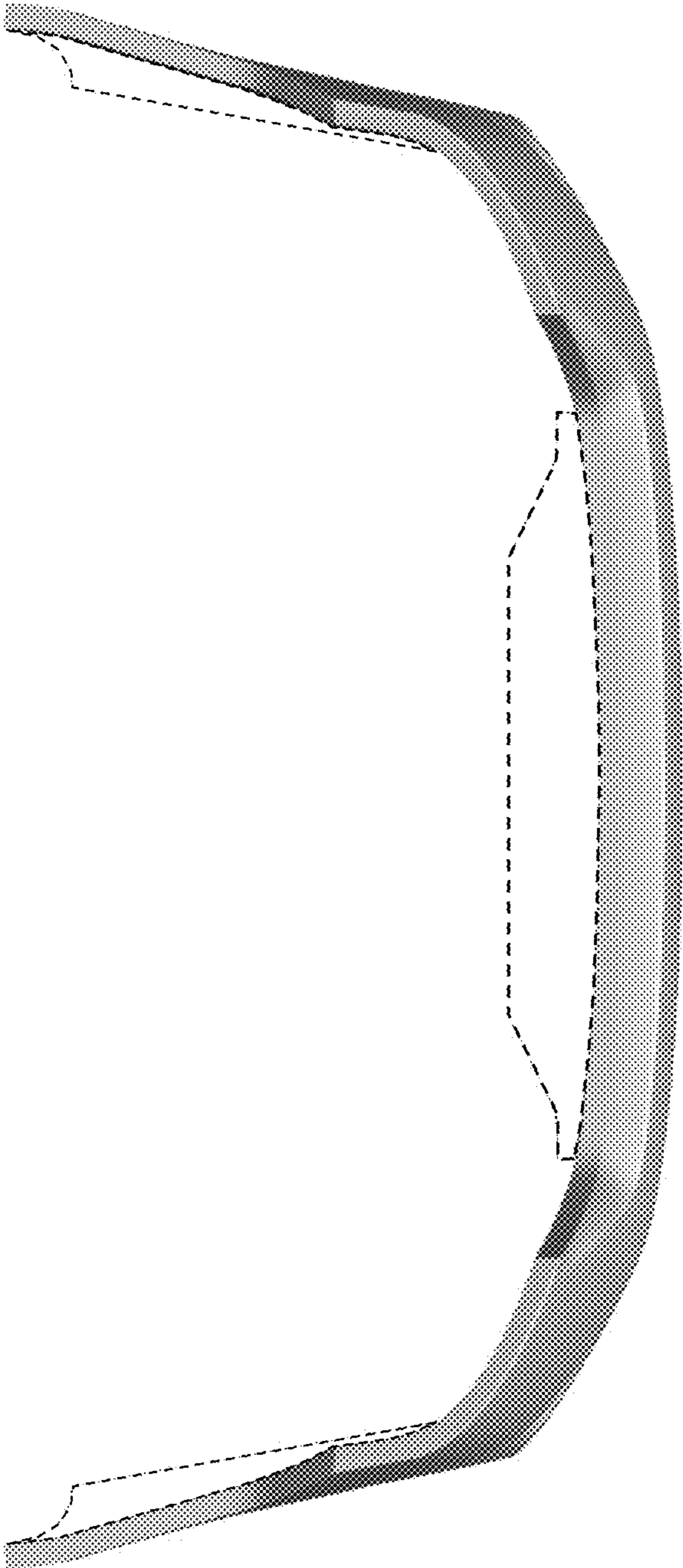


FIG. 2

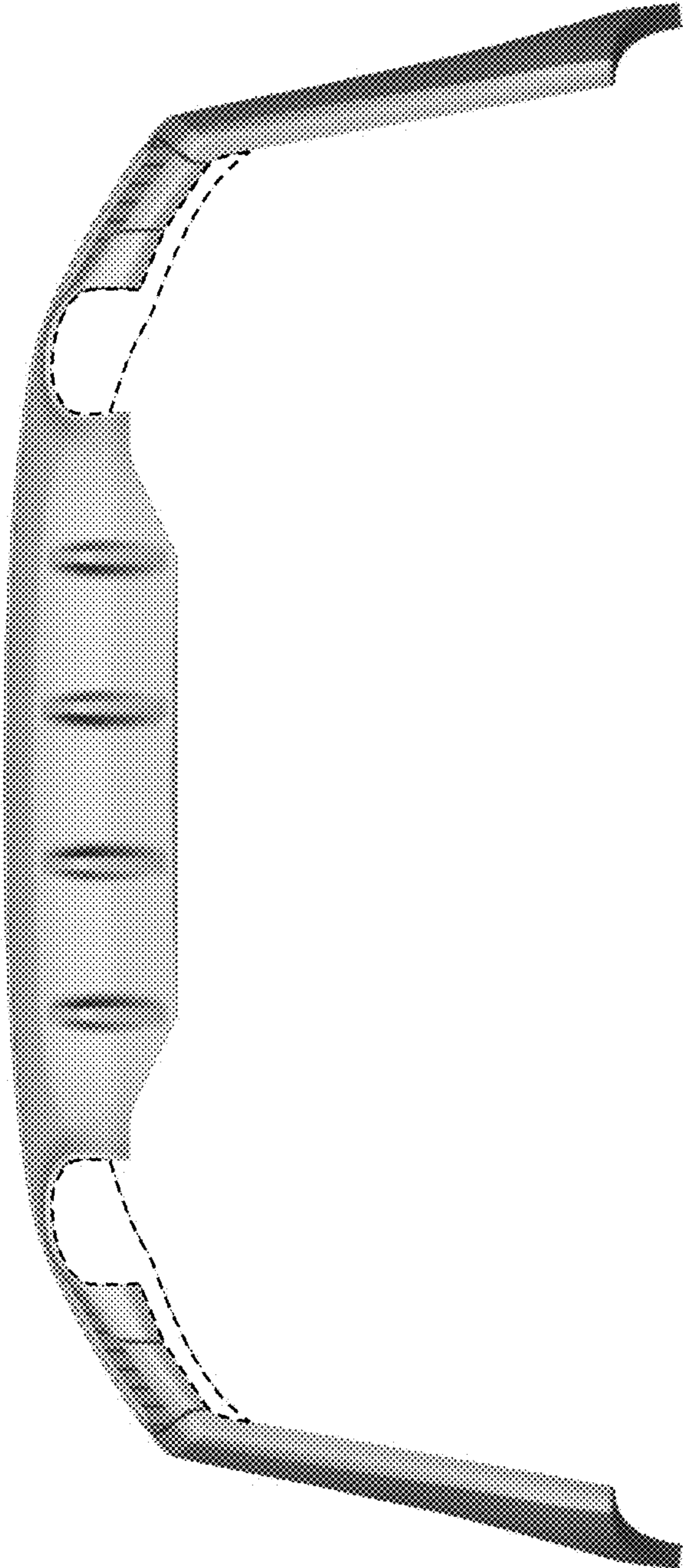


FIG. 3

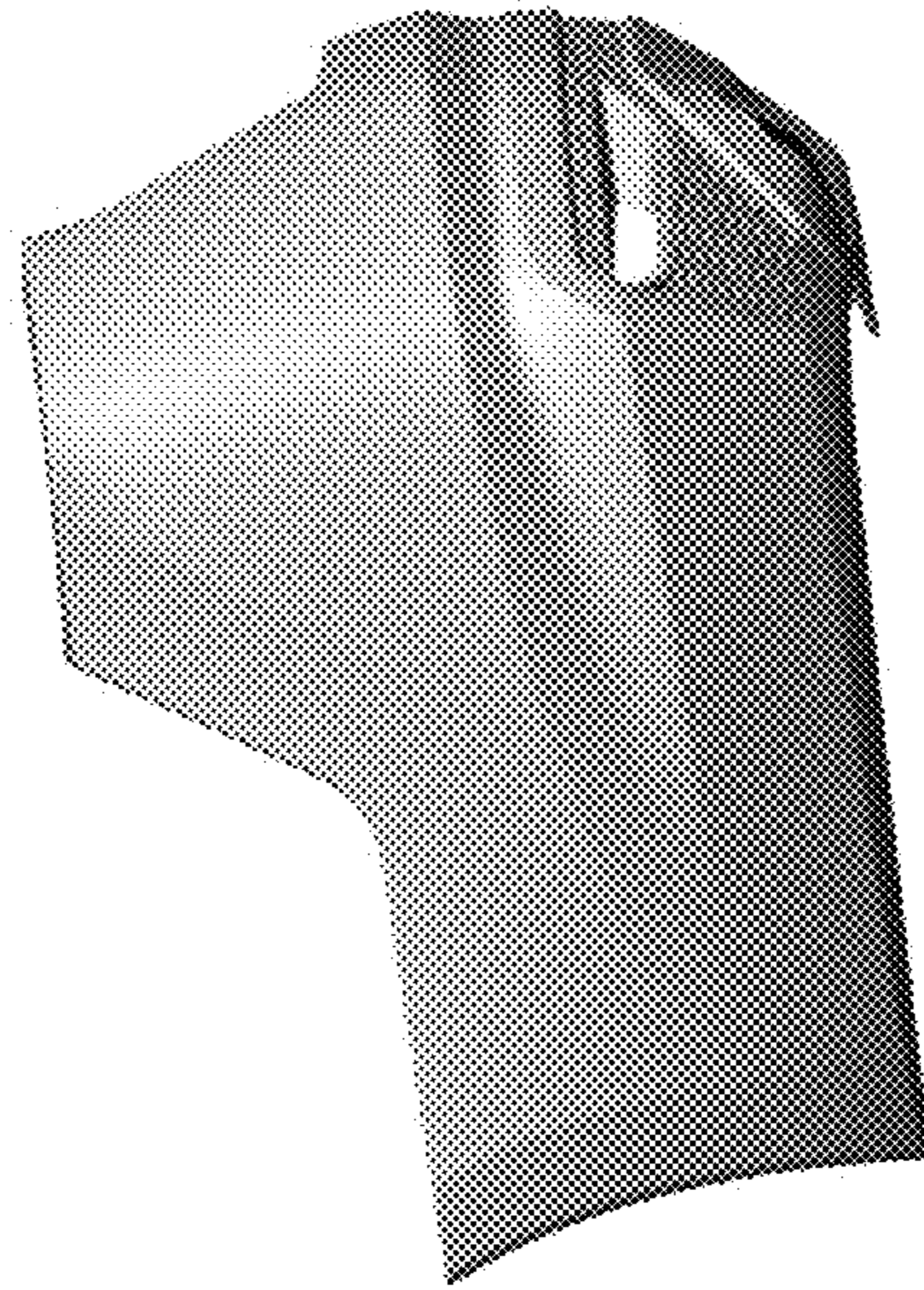


FIG. 4

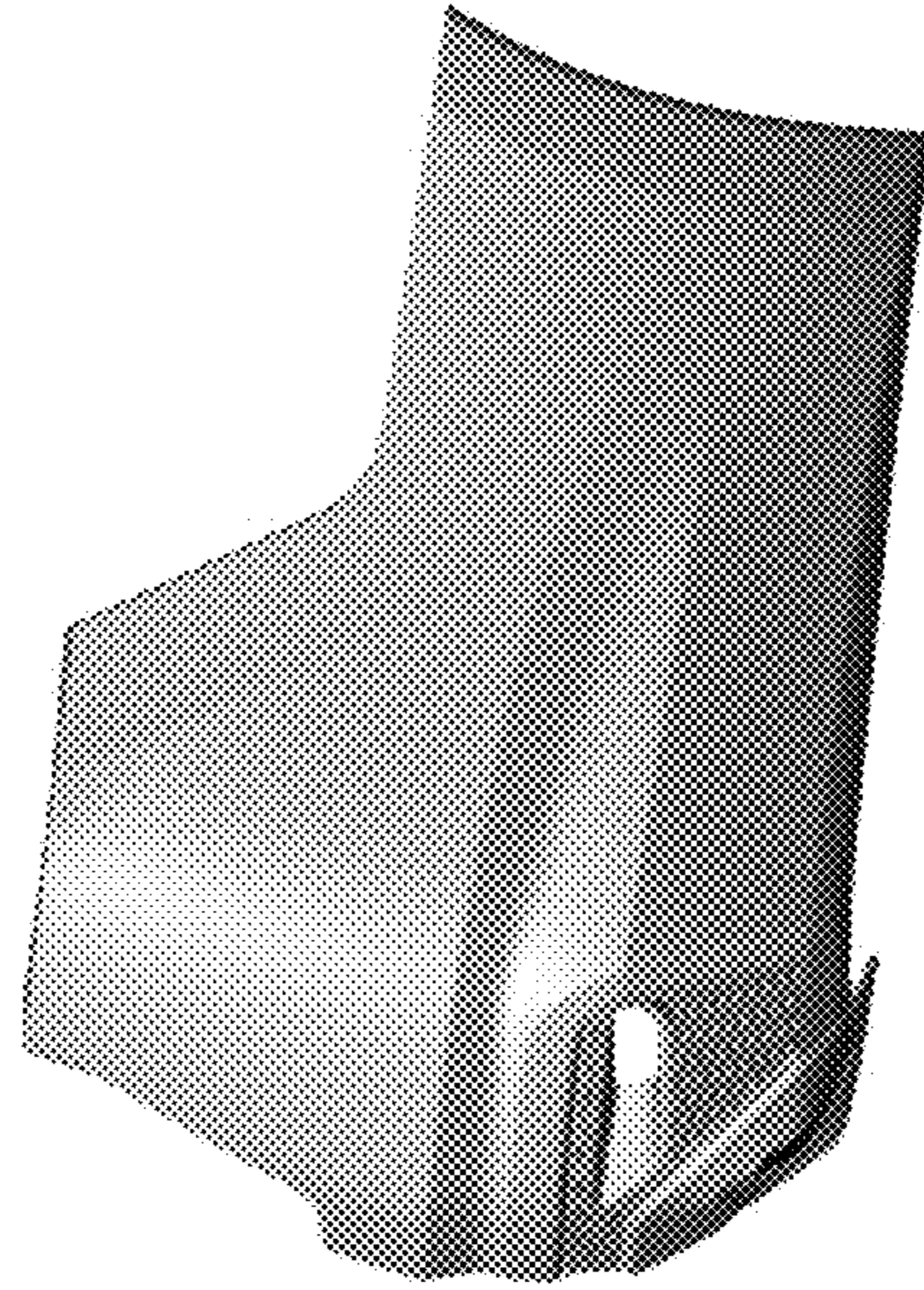


FIG. 5

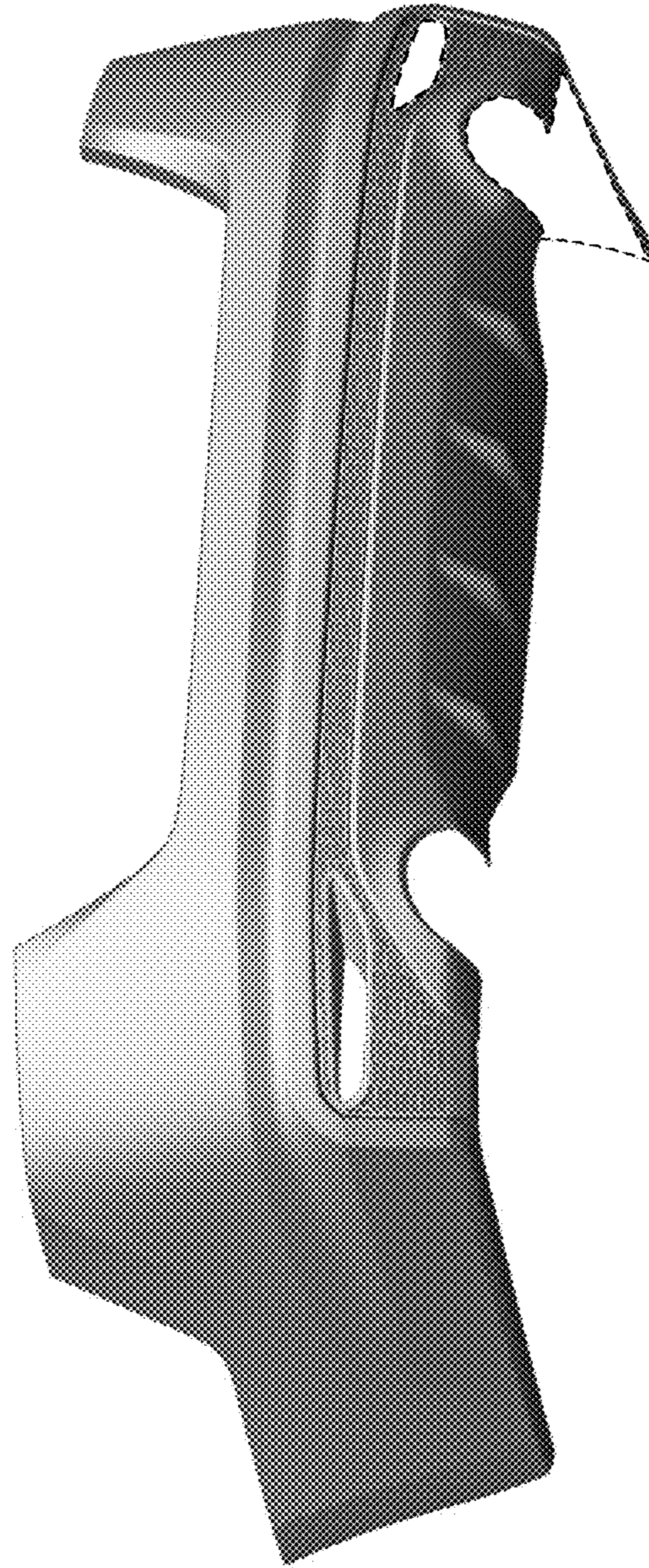


FIG. 6

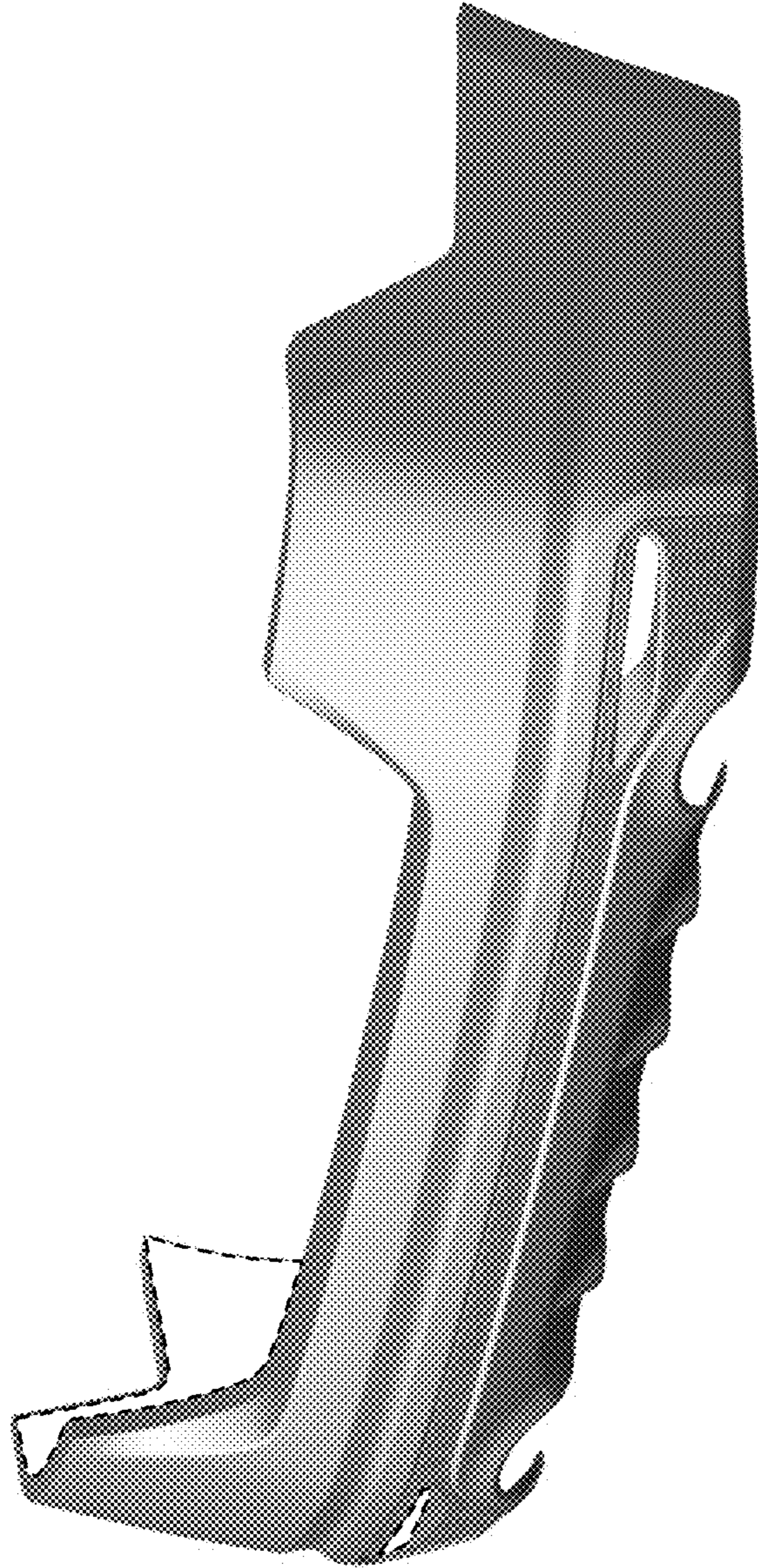


FIG. 7