



US00D886002S

(12) **United States Design Patent**
DiCanzio

(10) **Patent No.:** **US D886,002 S**

(45) **Date of Patent:** **** Jun. 2, 2020**

(54) **REAR BUMPER**

(71) Applicant: **Turn 5, Inc.**, Paoli, PA (US)

(72) Inventor: **Michael DiCanzio**, West Chester, PA (US)

(73) Assignee: **Turn 5, Inc.**, Paoli, PA (US)

(**) Term: **15 Years**

(21) Appl. No.: **29/658,459**

(22) Filed: **Jul. 31, 2018**

(51) **LOC (12) Cl.** **12-16**

(52) **U.S. Cl.**
USPC **D12/169**

(58) **Field of Classification Search**
USPC D12/169, 164, 196, 171, 163, 86, 90-92;
293/102, 113, 115, 117, 120; 296/180.1,
296/180.2
CPC B60R 19/02; B60R 19/04; B62D 25/08
See application file for complete search history.

(56) **References Cited**

U.S. PATENT DOCUMENTS

D579,828 S *	11/2008	Bucher	D12/163
D611,395 S *	3/2010	Kruger	D12/169
D626,042 S *	10/2010	Yamazaki	D12/169
D630,981 S *	1/2011	Rao	D12/169
D755,082 S *	5/2016	Gillam	D12/98
D760,121 S *	6/2016	Sato	D12/98
D763,738 S *	8/2016	Dewitt	D12/98
D764,980 S *	8/2016	Platto	D12/98
D775,551 S *	1/2017	Platto	D12/98

D789,848 S *	6/2017	Platto	D12/169
D809,428 S *	2/2018	Platto	D12/98
D809,429 S *	2/2018	Platto	D12/98
D811,965 S *	3/2018	Moffett	D12/169
D847,043 S *	4/2019	Kozub	D12/169
D847,703 S *	5/2019	Kozub	D12/169
D852,094 S *	6/2019	Zipfel	D12/98
D859,239 S *	9/2019	Sullivan	D12/169
D860,079 S *	9/2019	Sullivan	D12/169
D869,355 S *	12/2019	Dewitt	D12/169
D870,615 S *	12/2019	Wood	D12/171

* cited by examiner

Primary Examiner — Melody N Brown

(74) *Attorney, Agent, or Firm* — Schott P.C.

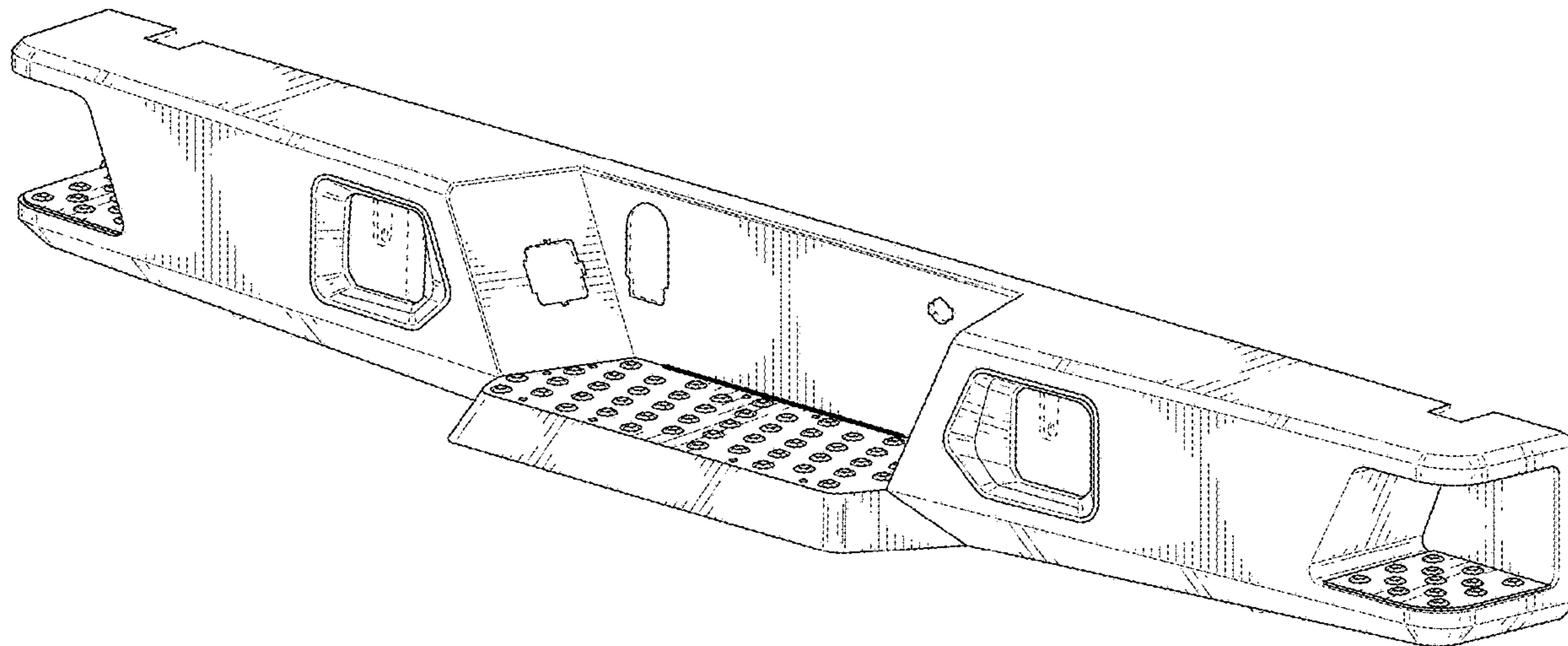
(57) **CLAIM**

The ornamental design for a rear bumper, as shown and described.

DESCRIPTION

FIG. 1 is a top, front and right side perspective view of a rear bumper showing my new design;
 FIG. 2 is a front view thereof;
 FIG. 3 is a rear view thereof;
 FIG. 4 is a top view thereof;
 FIG. 5 is a bottom view thereof;
 FIG. 6 is a right side view thereof;
 FIG. 7 is a left side view thereof; and,
 FIG. 8 is another top, front and right side perspective view thereof shown in use on a vehicle.
 The broken lines shown throughout the drawing views are shown form illustrative and environmental purposes and form no part of the claimed design.

1 Claim, 5 Drawing Sheets



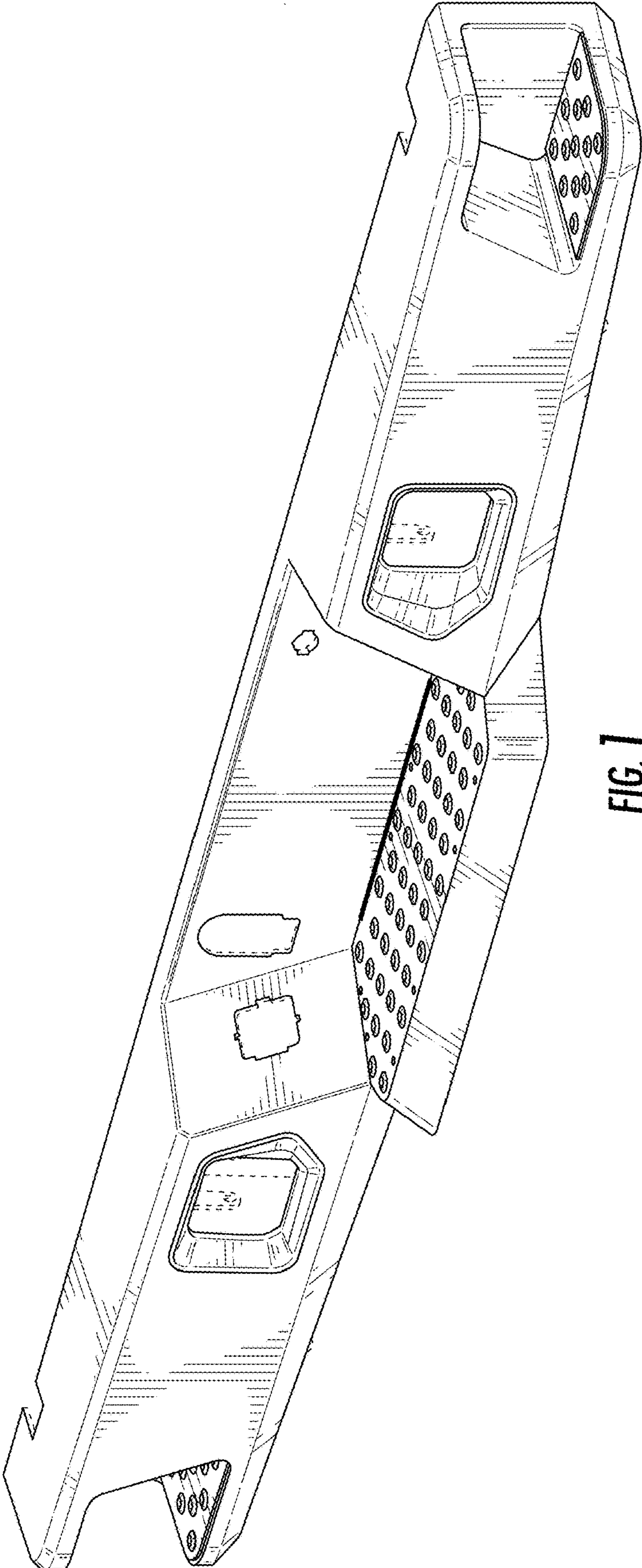


FIG. 1

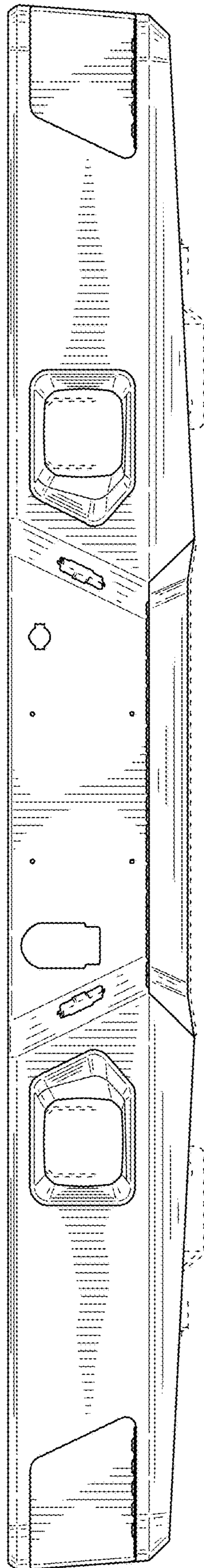


FIG. 2

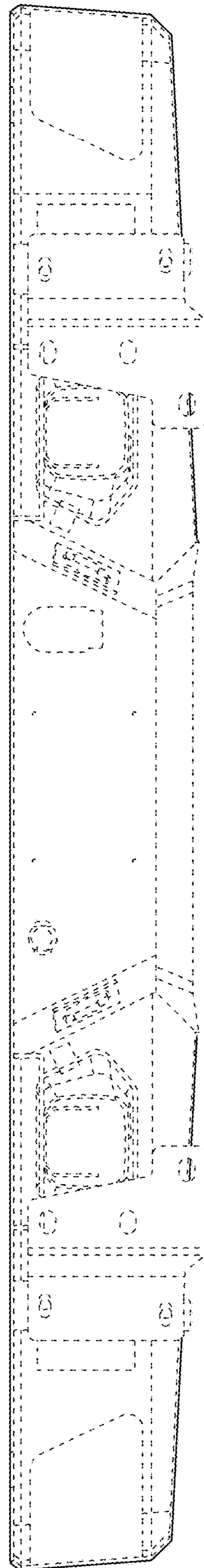


FIG. 3

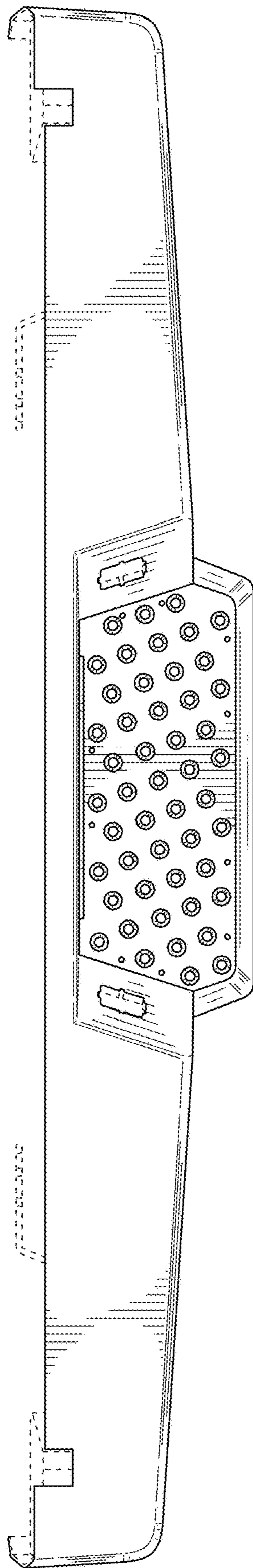


FIG. 4

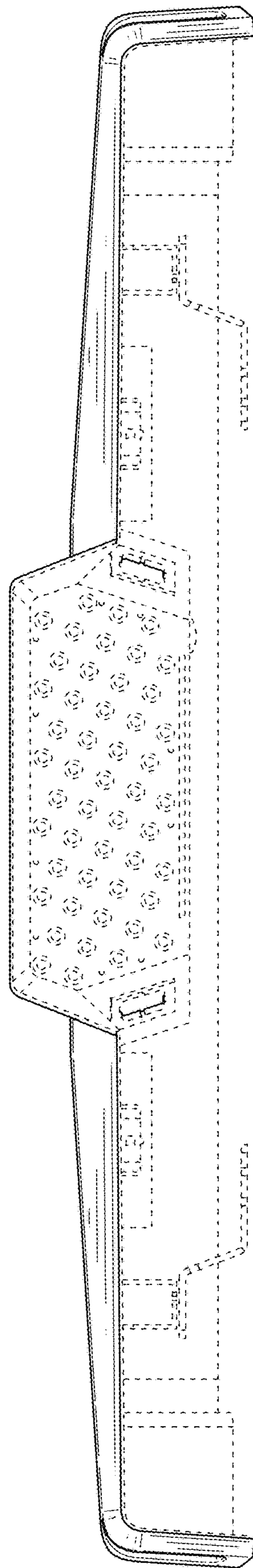


FIG. 5

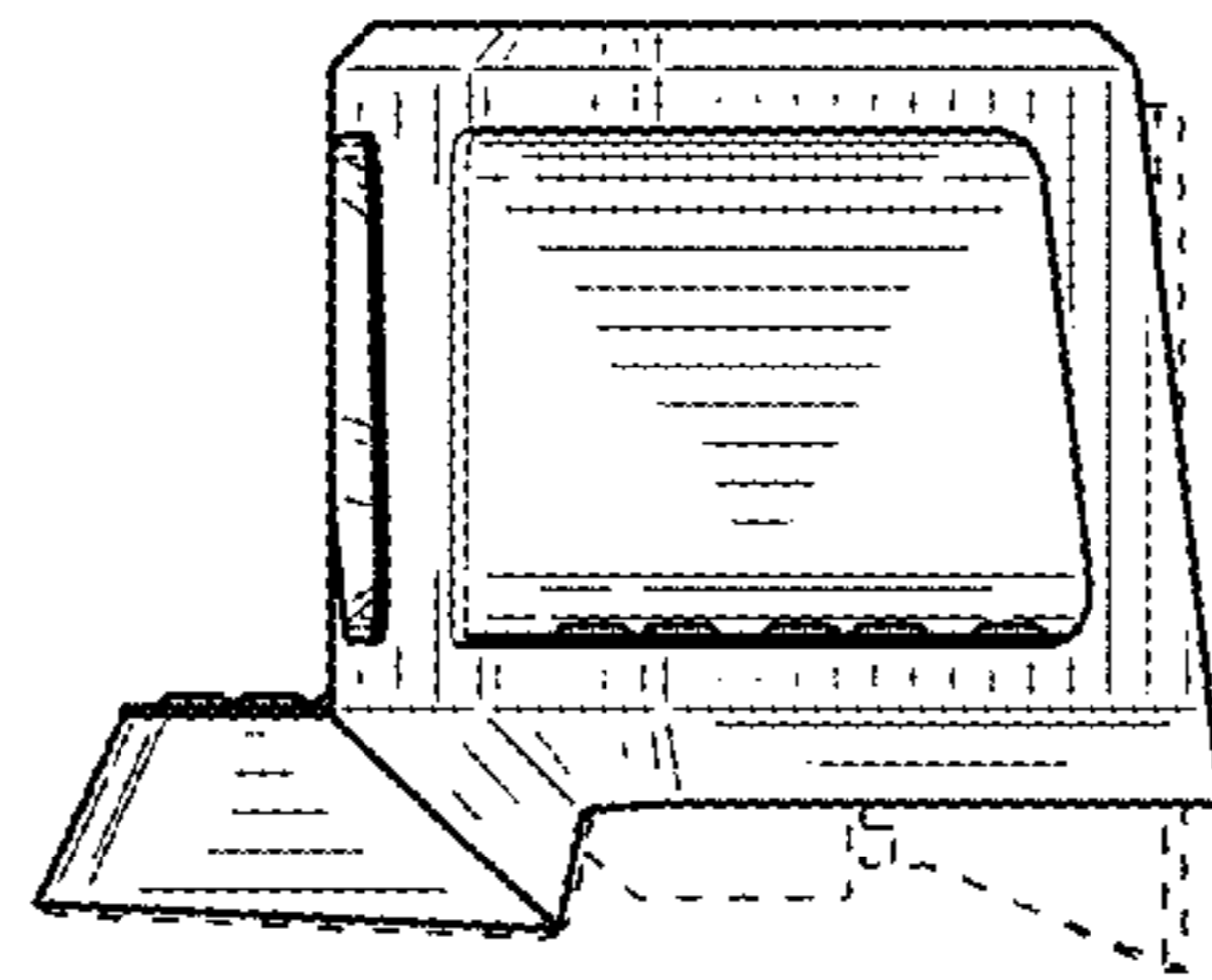


FIG. 6

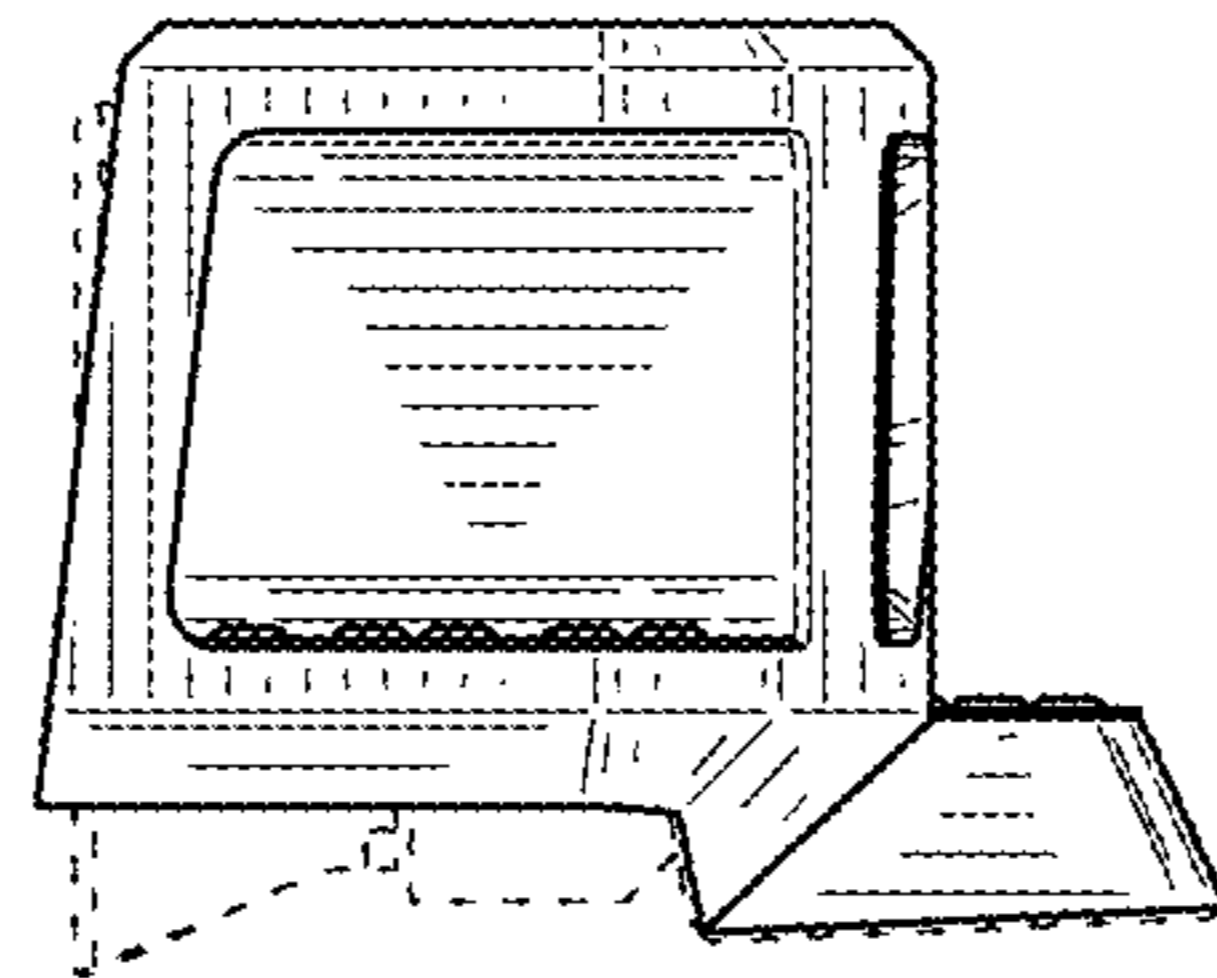


FIG. 7

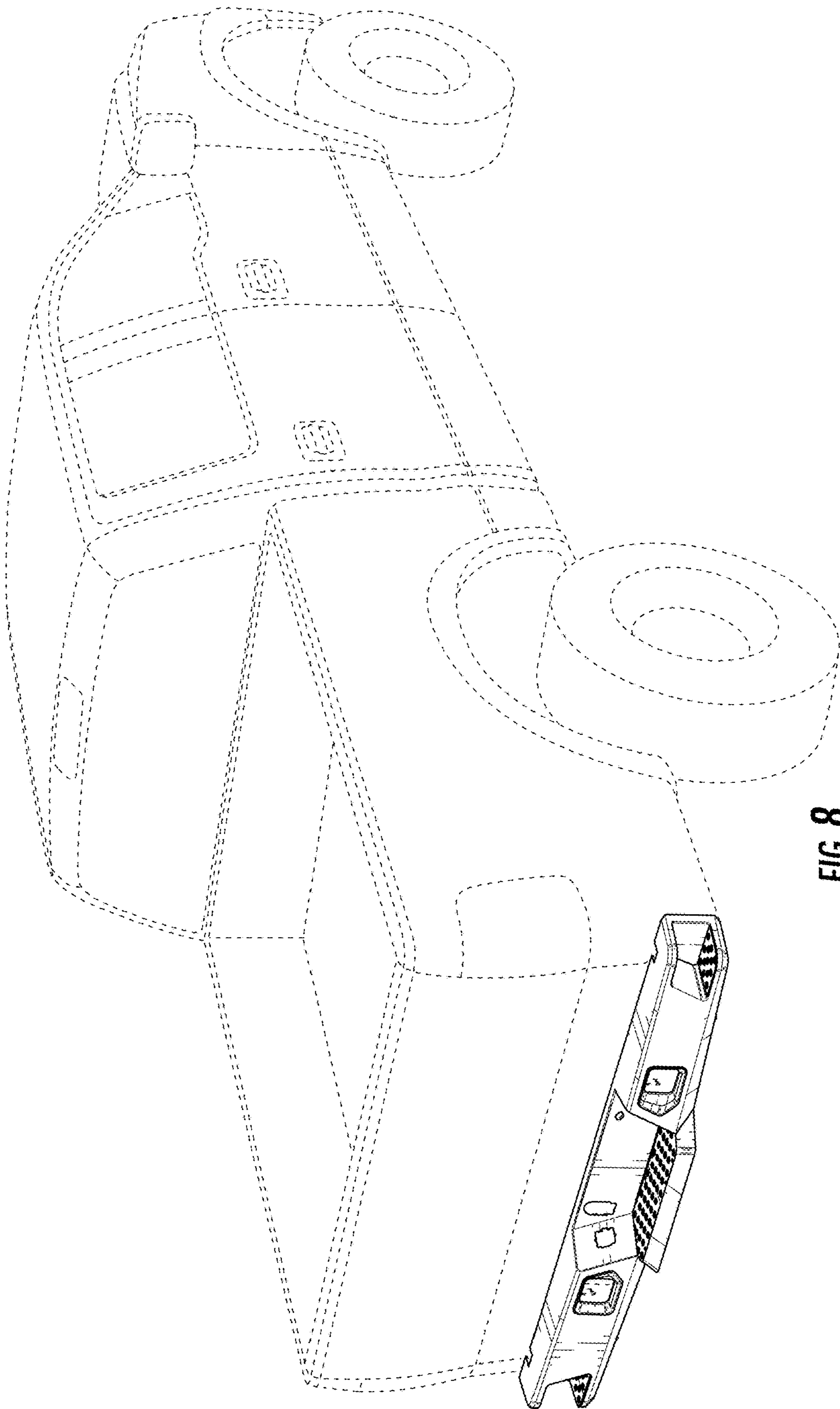


FIG. 8